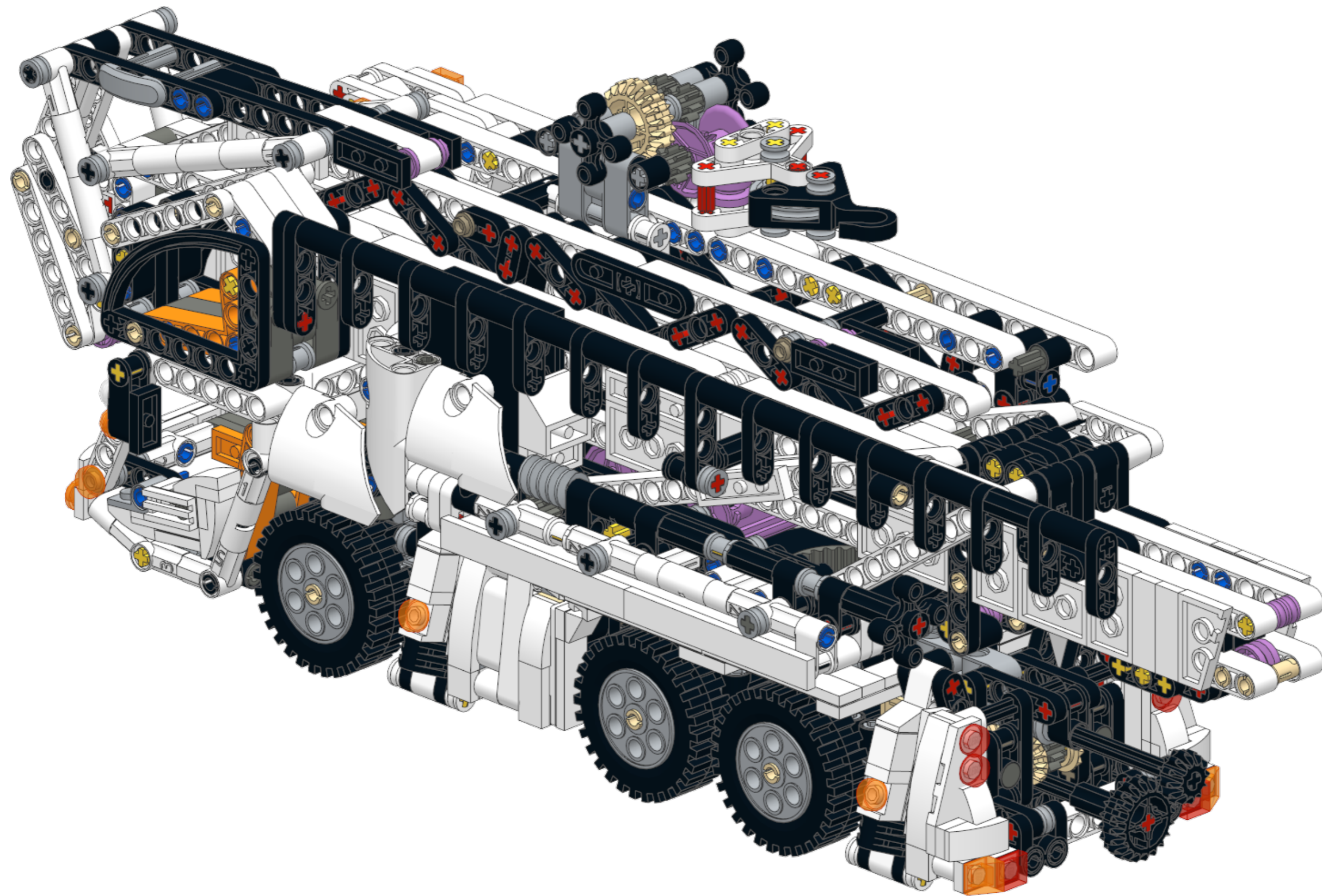


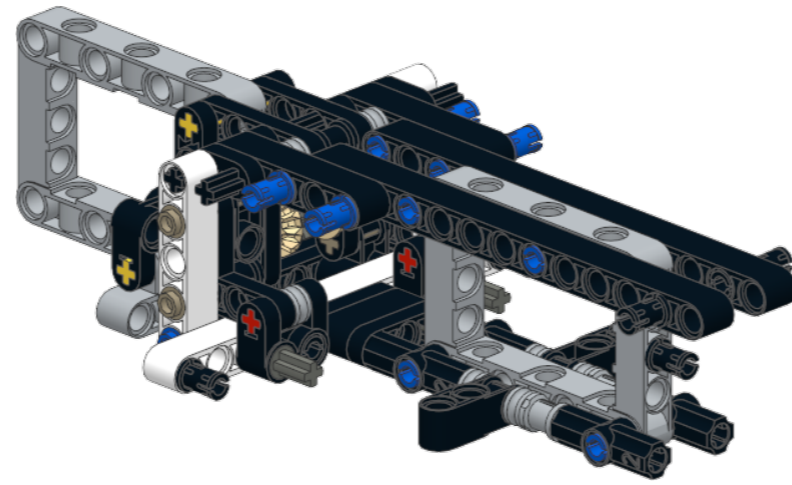
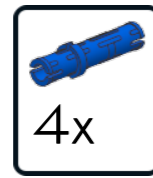


Erik Leppen

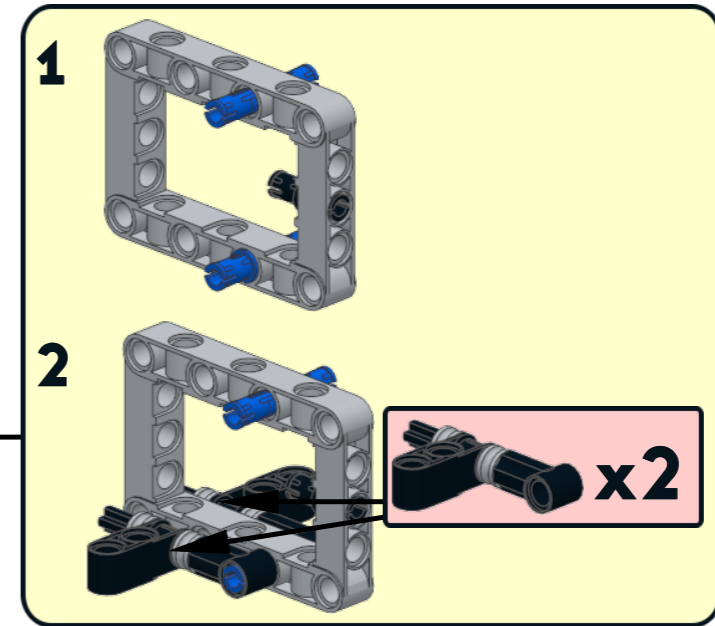
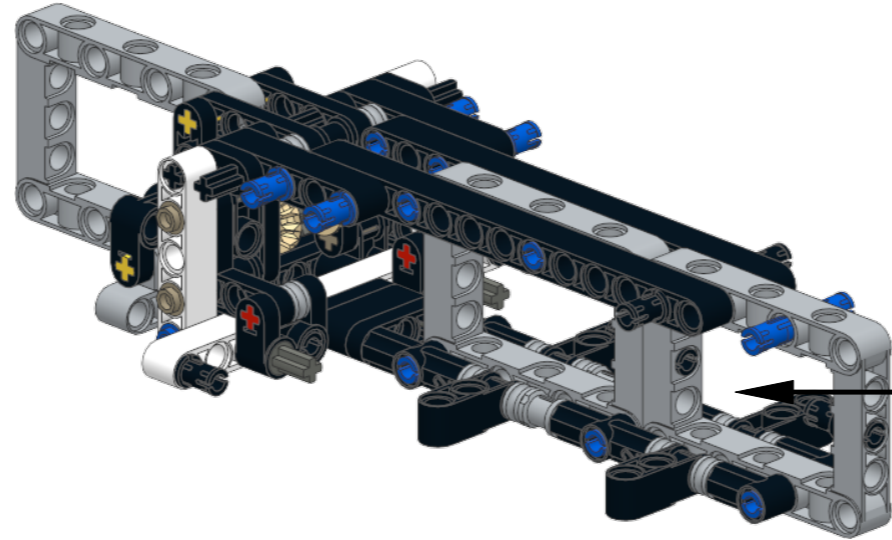
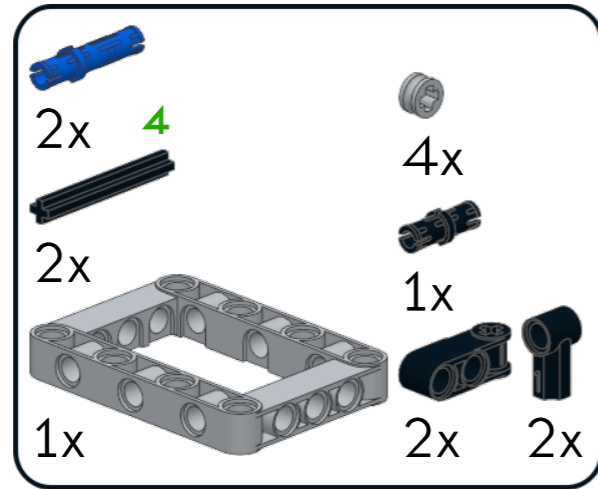


“Folding Crane”

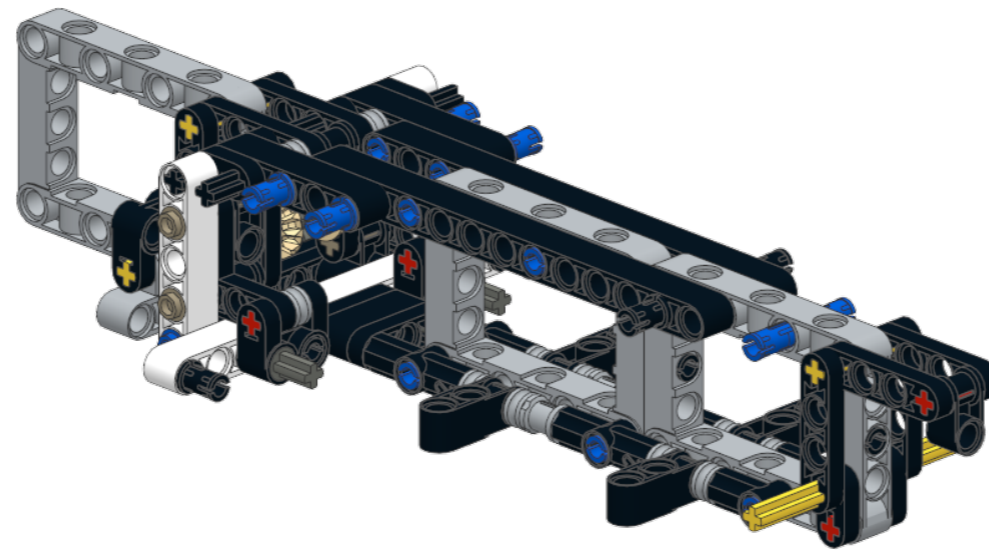
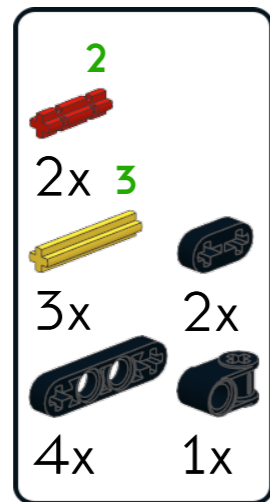
9



10

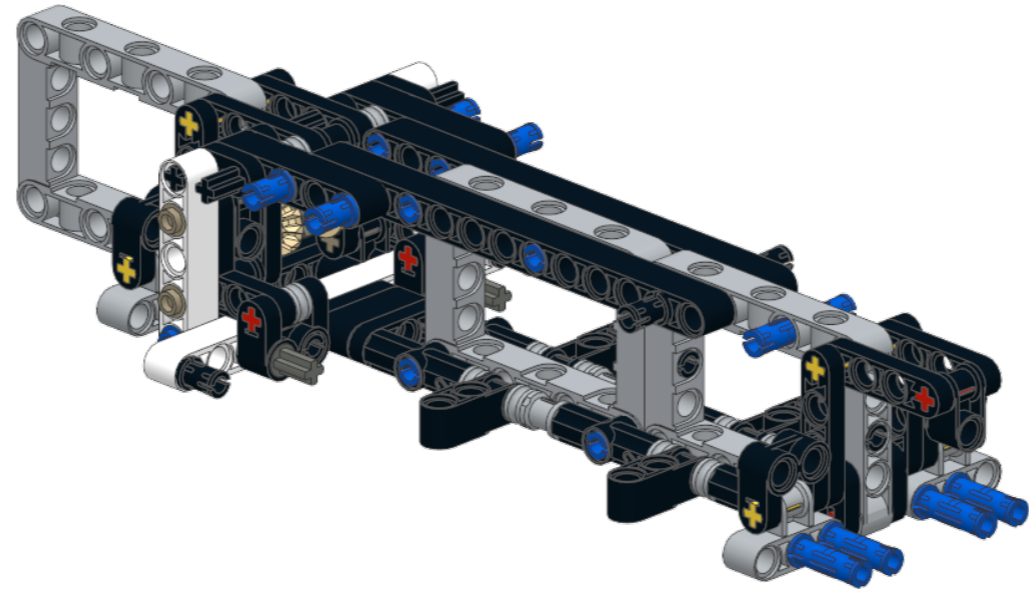


11



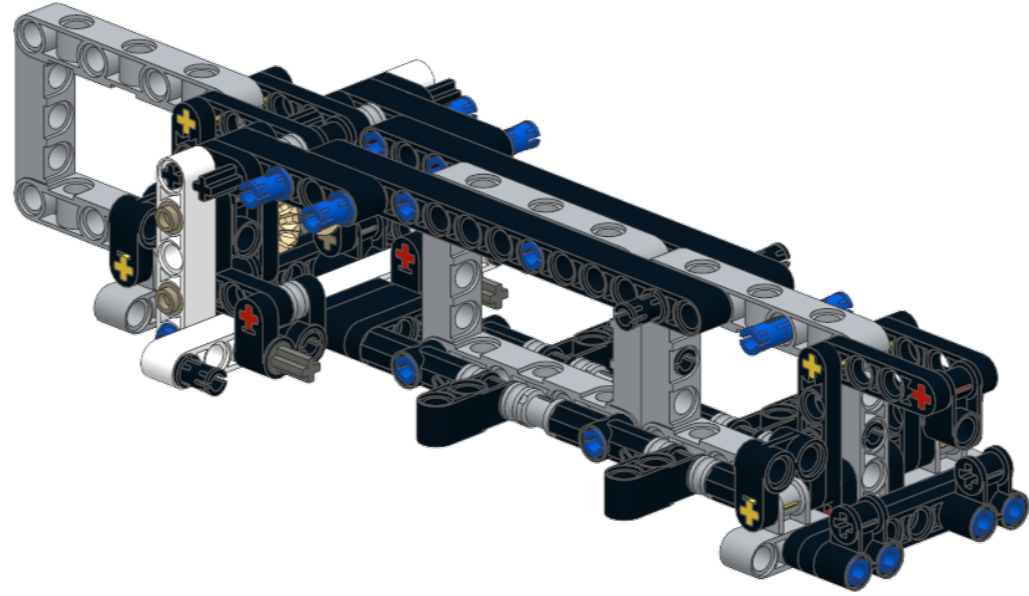
12

2x 4x 2x



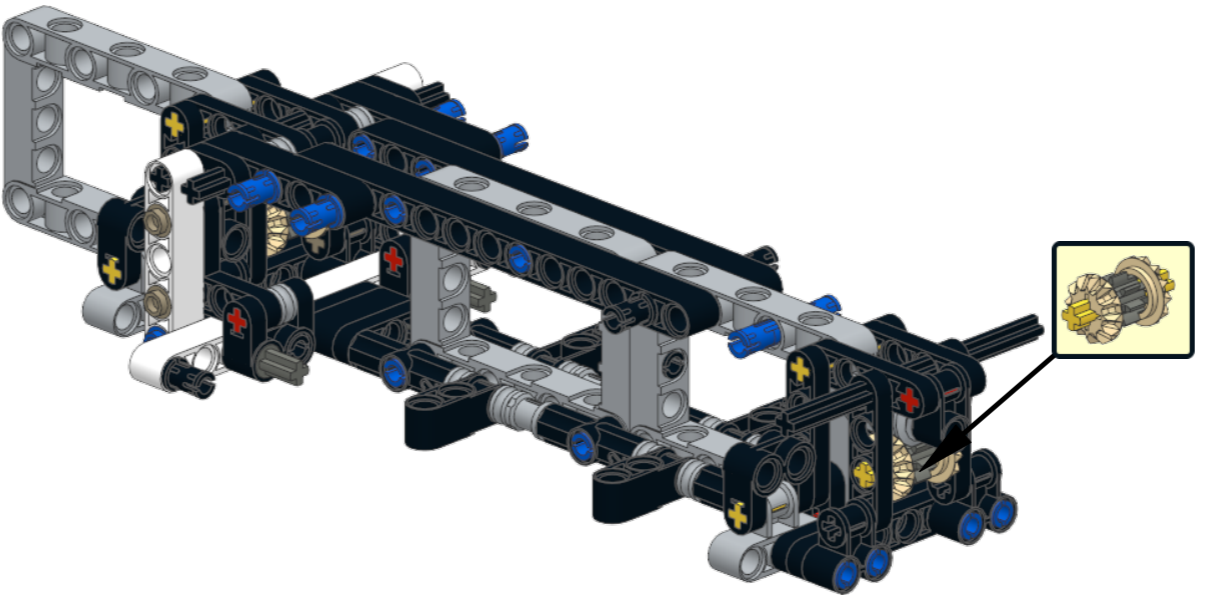
13

2x 2x

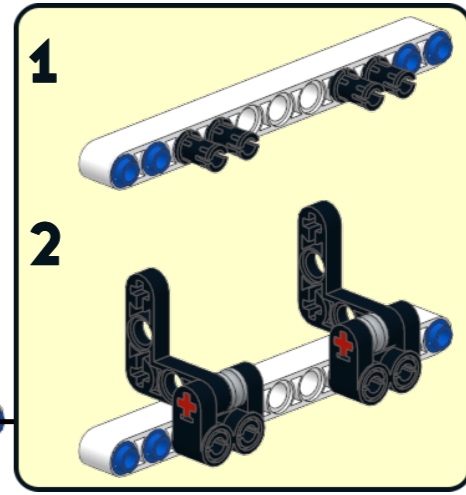
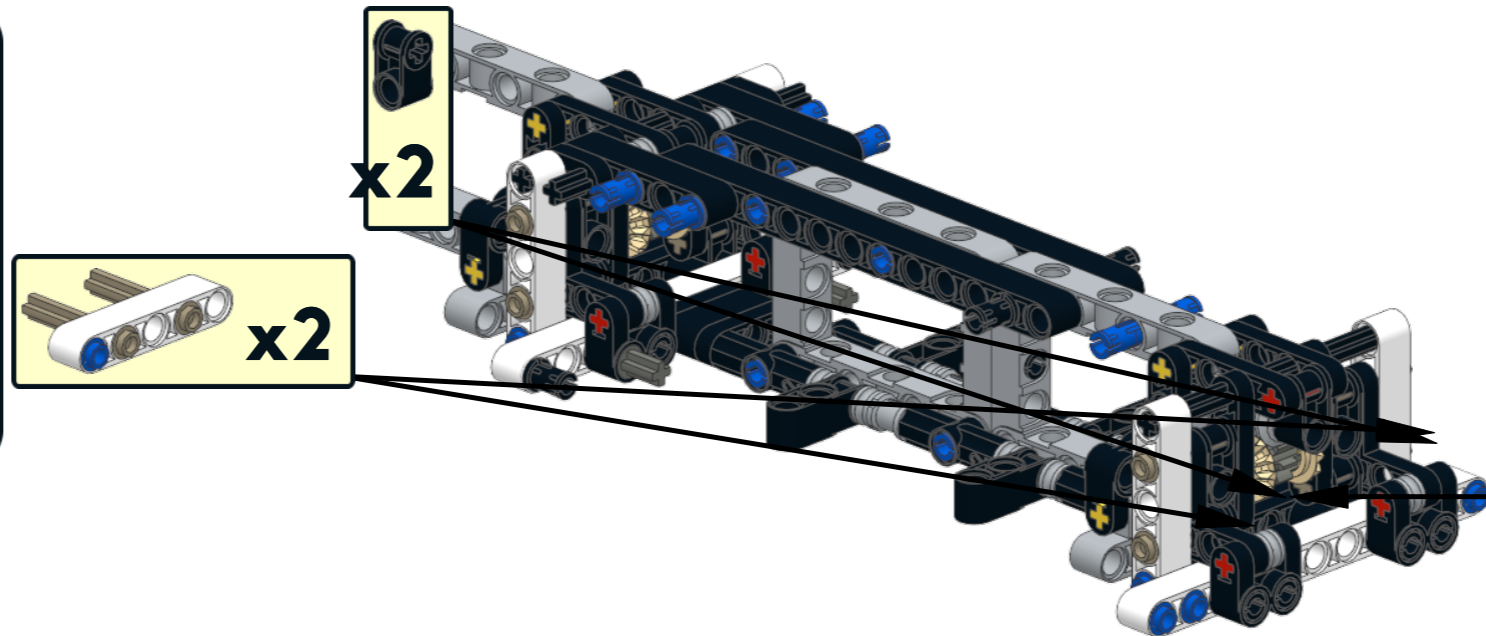
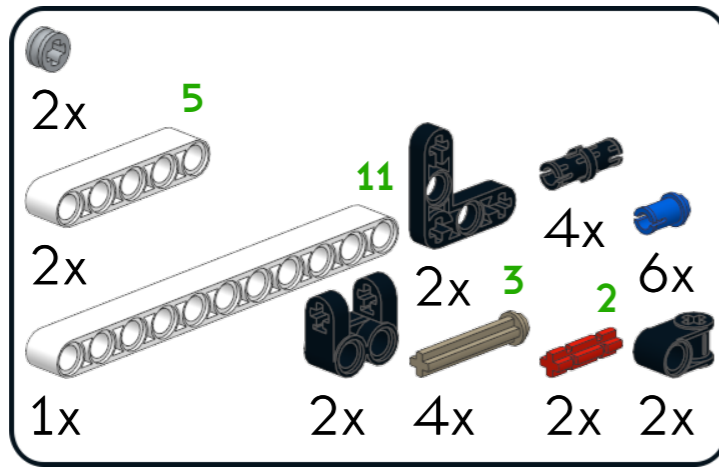


14

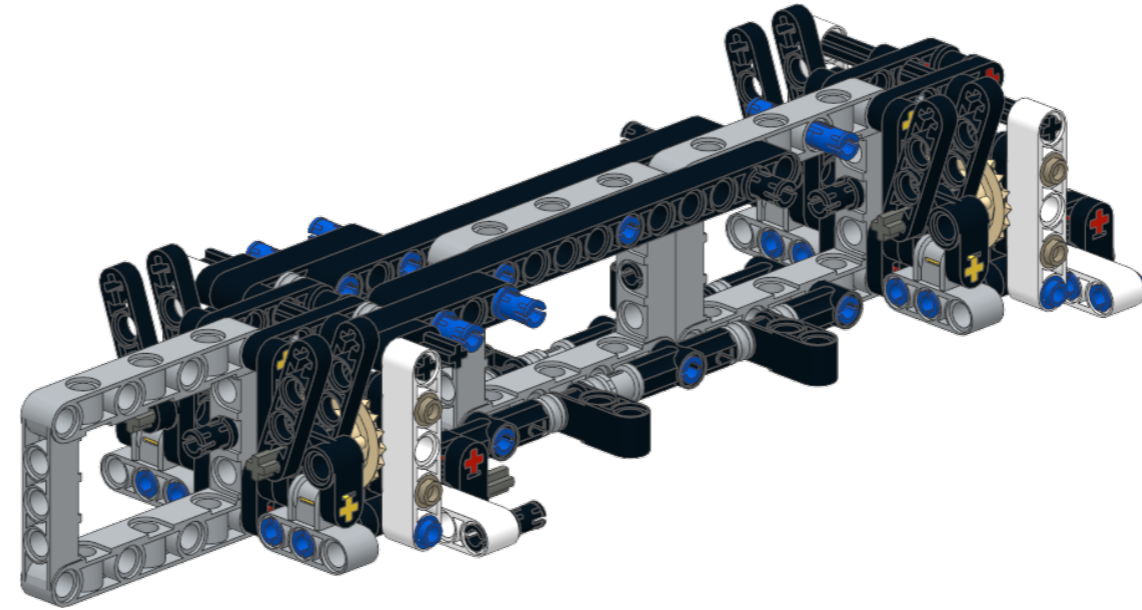
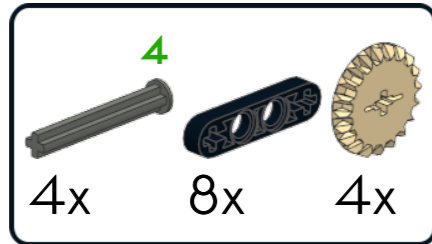
2x 1x 1x 1x 2x 1x 1x 1x 1x 1x 1x



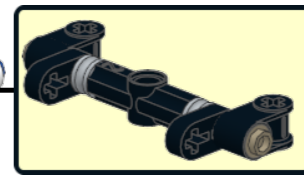
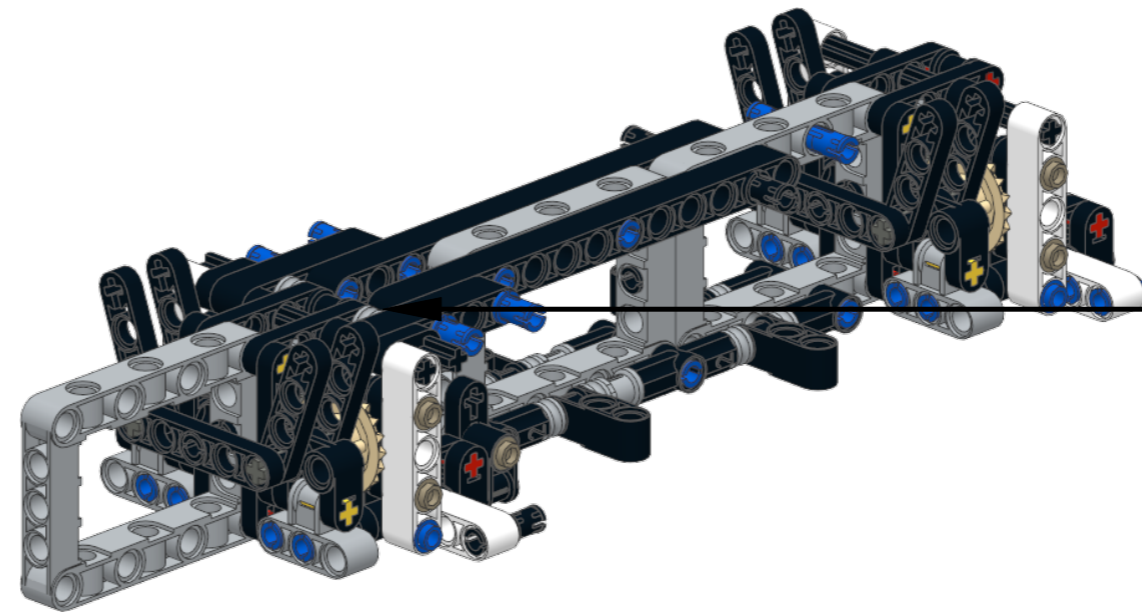
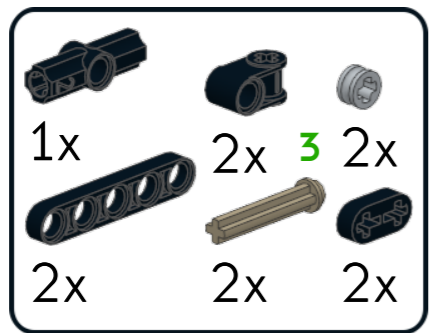
15



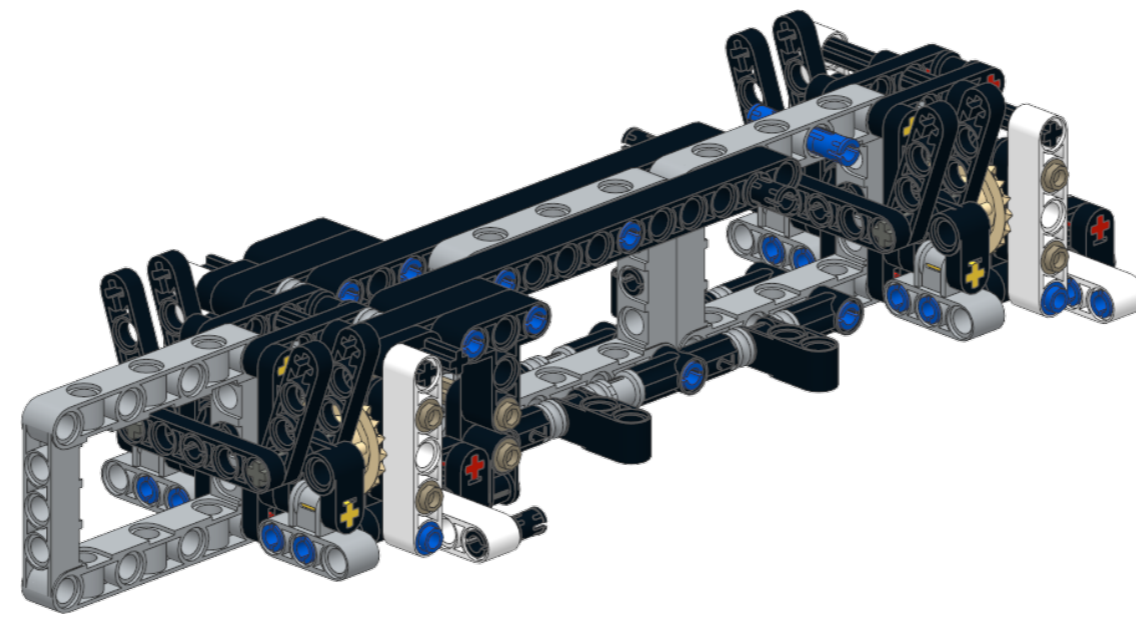
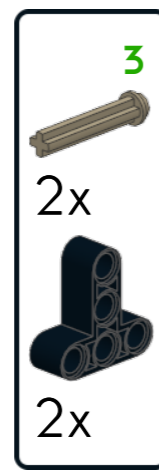
16



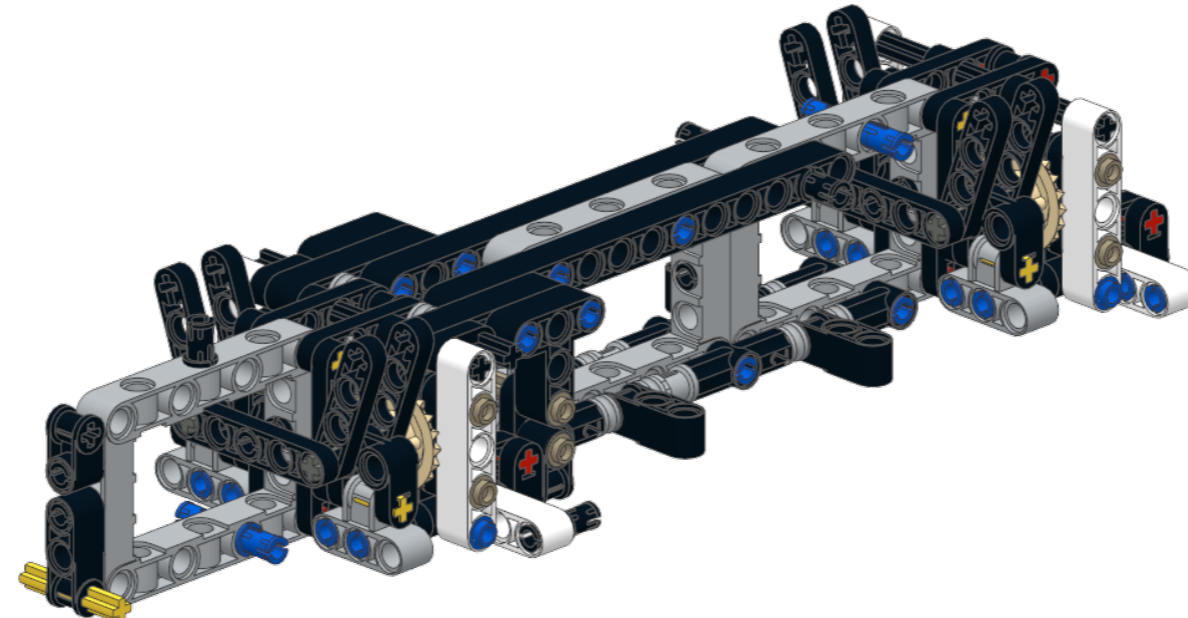
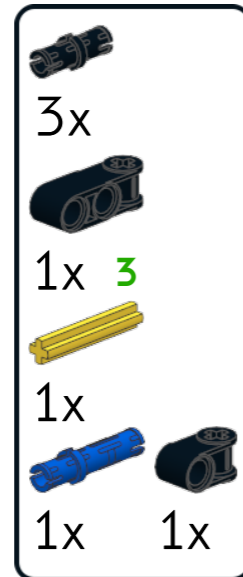
17



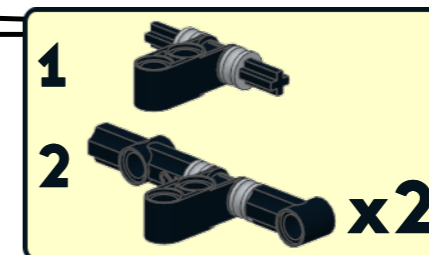
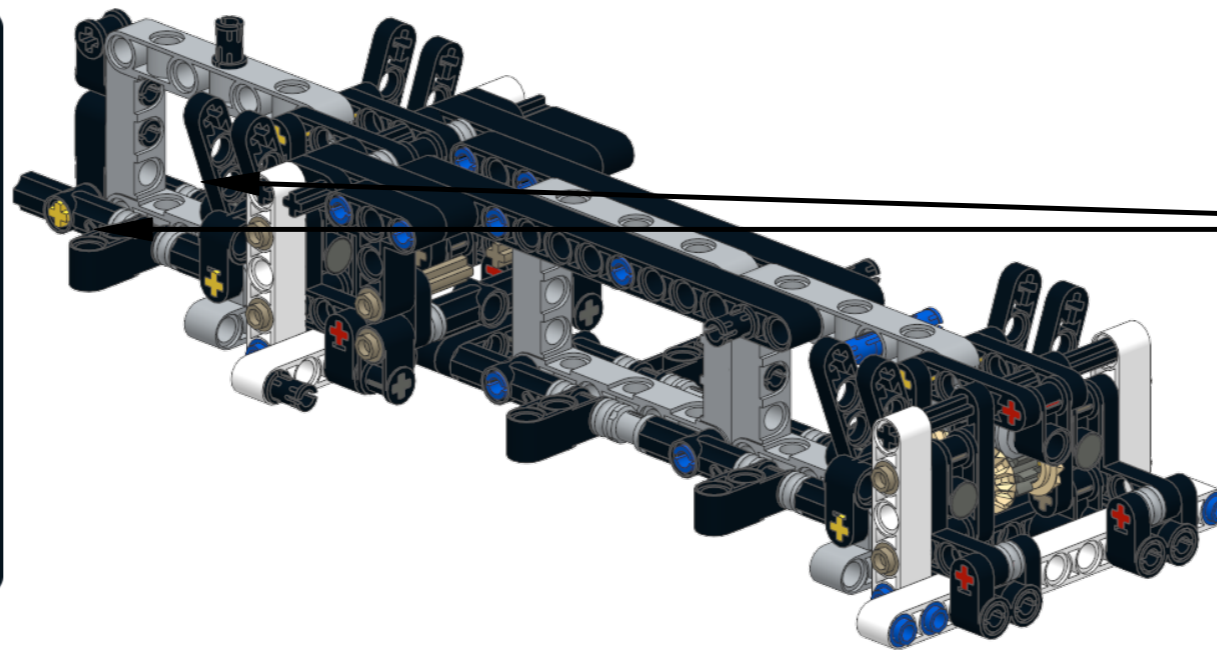
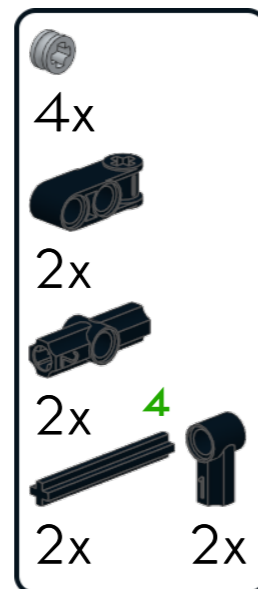
18










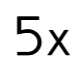
19

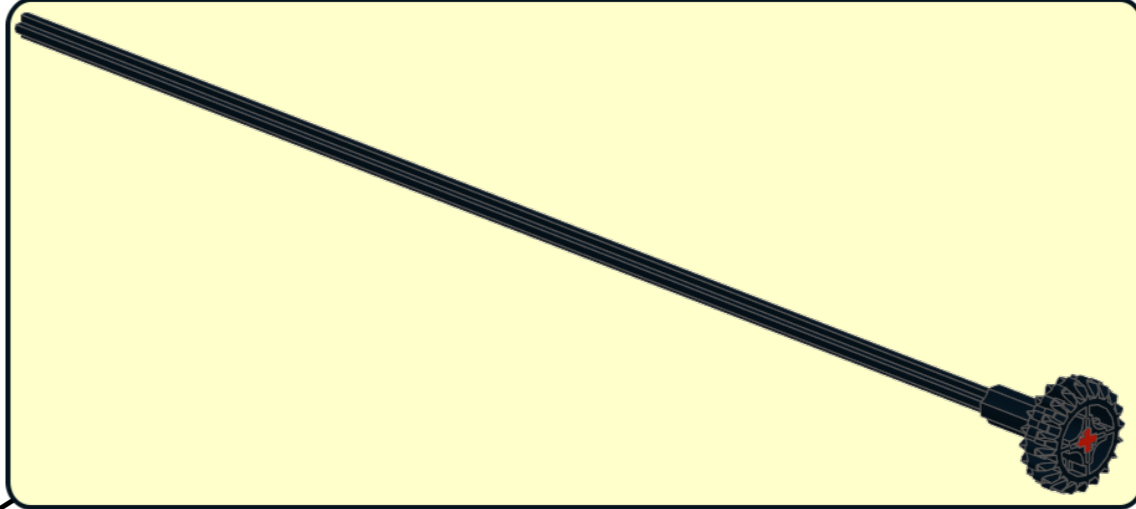


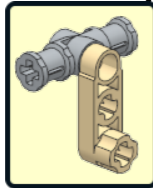
20

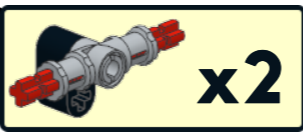


21

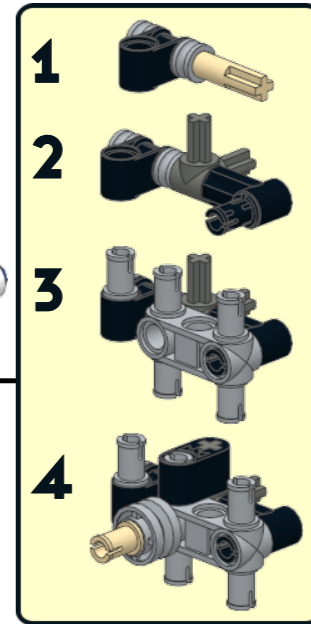
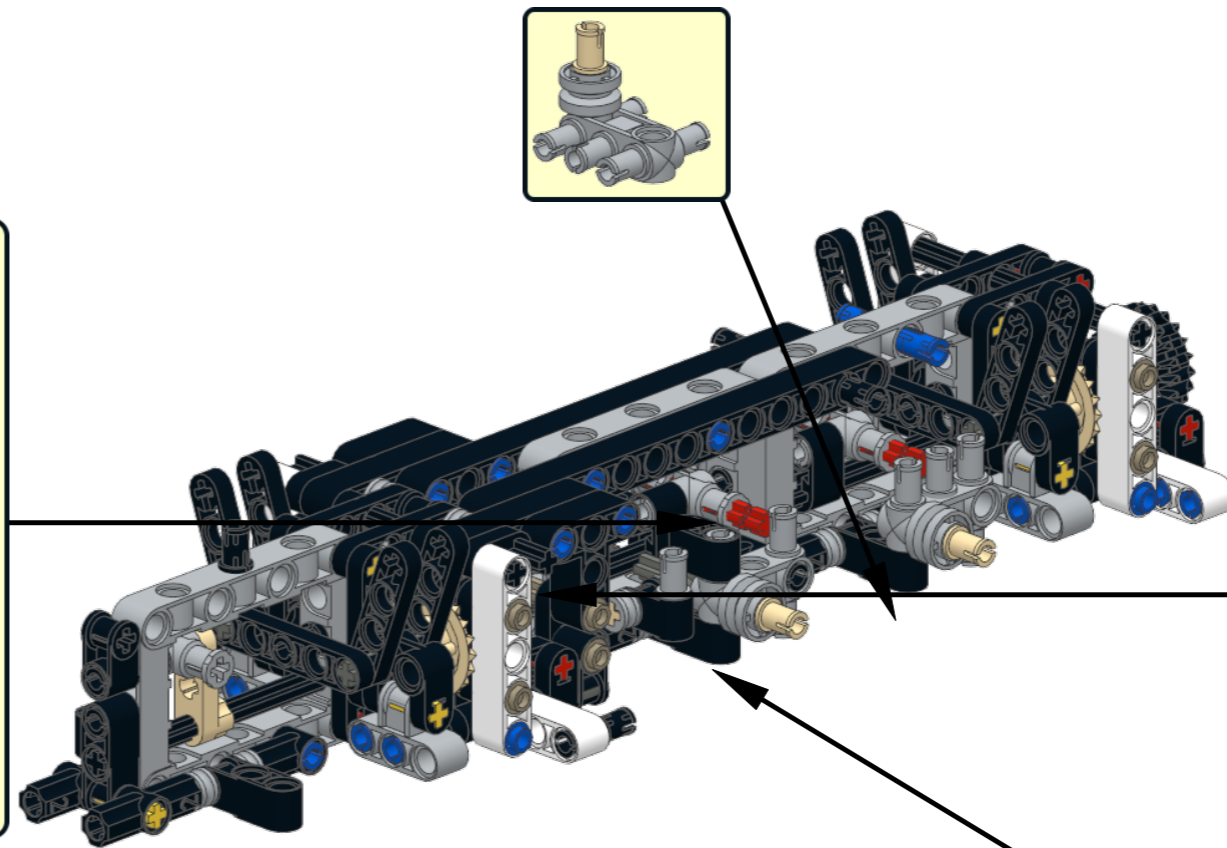
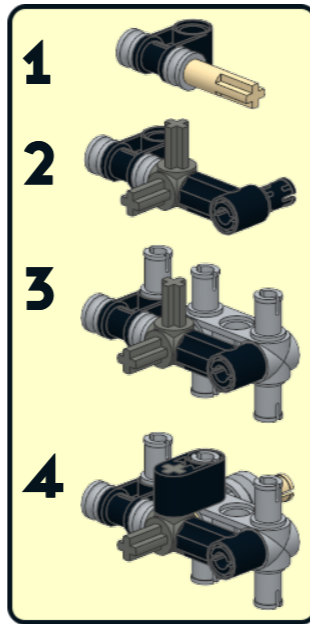
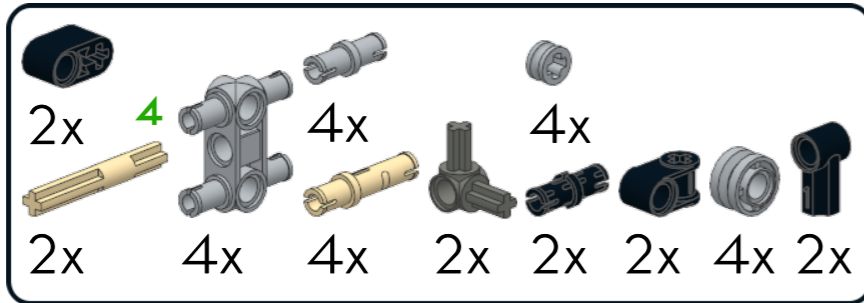
	2x		32		1x
	2x				6x
	1x				1x
	1x				2
	1x				5x



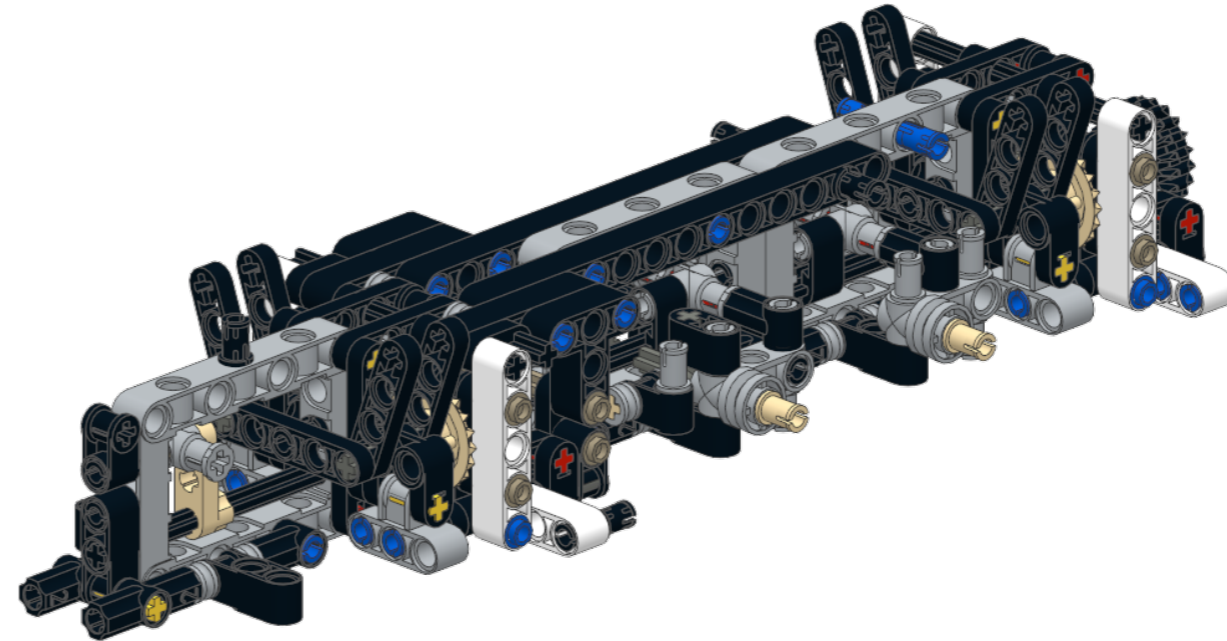


 x2

22

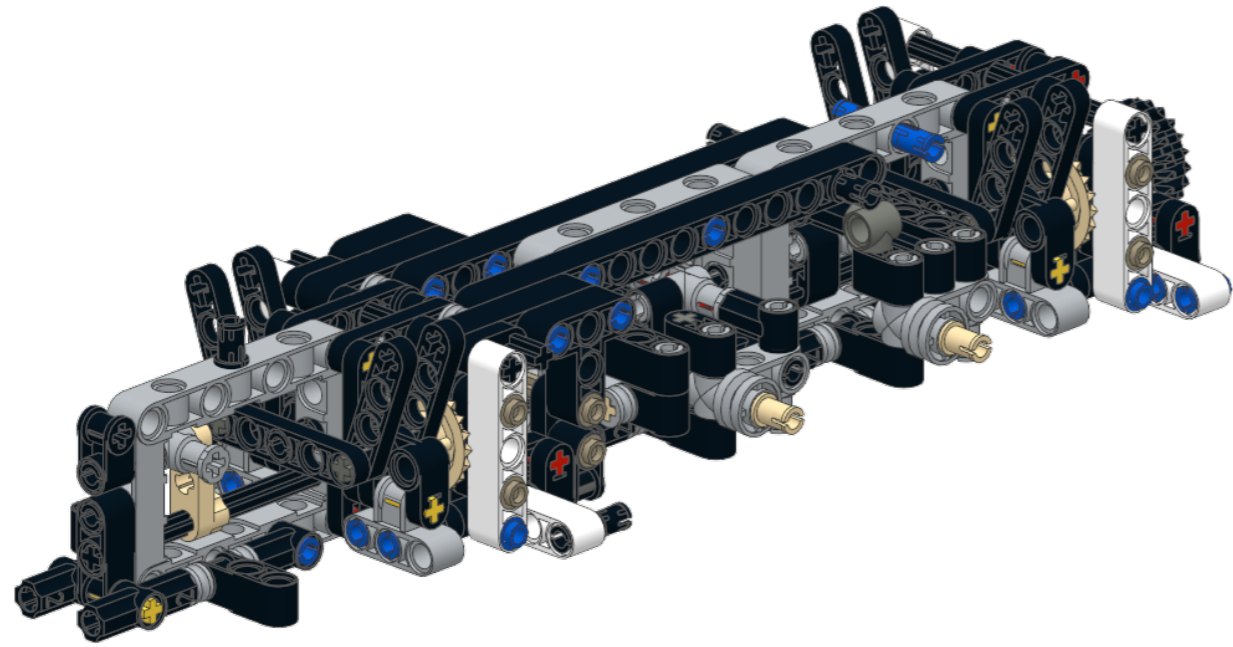


23



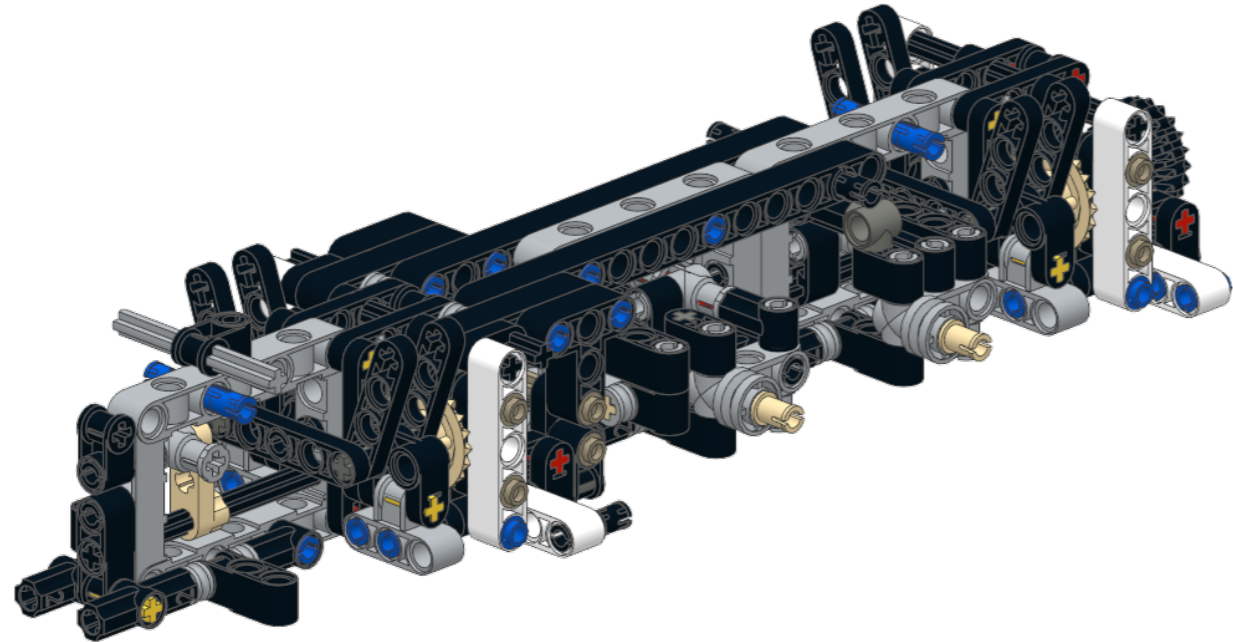
24

- 2x
- 2x
- 1x
- 2x



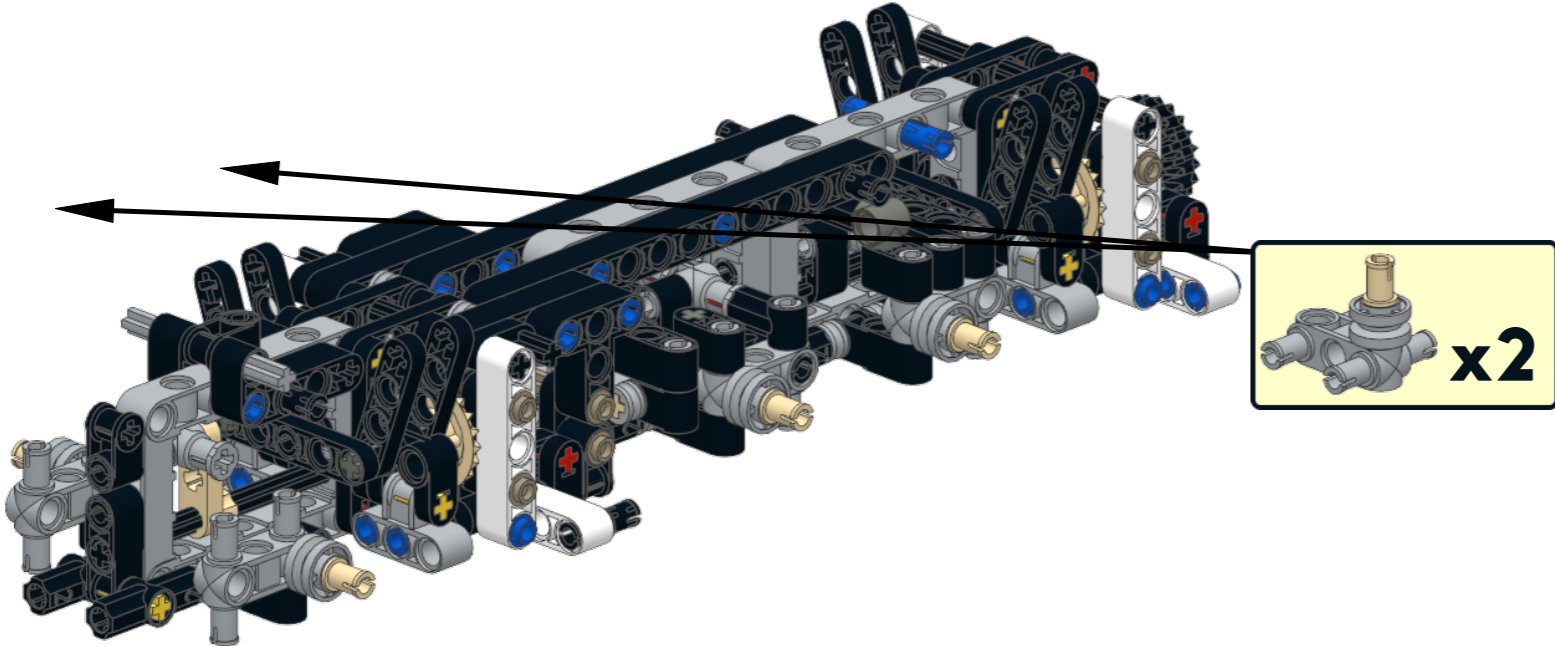
25

- 1x
- 1x
- 1x



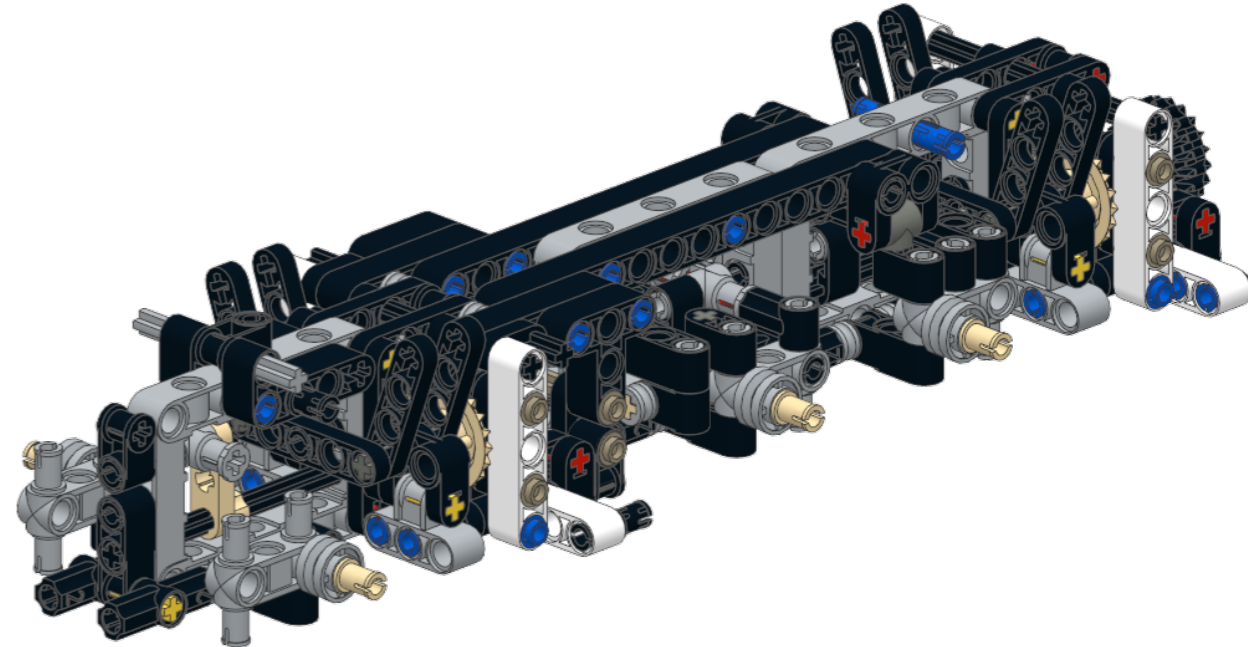
26

- 2x
- 2x
- 2x
- 2x
- 2x
- 2x



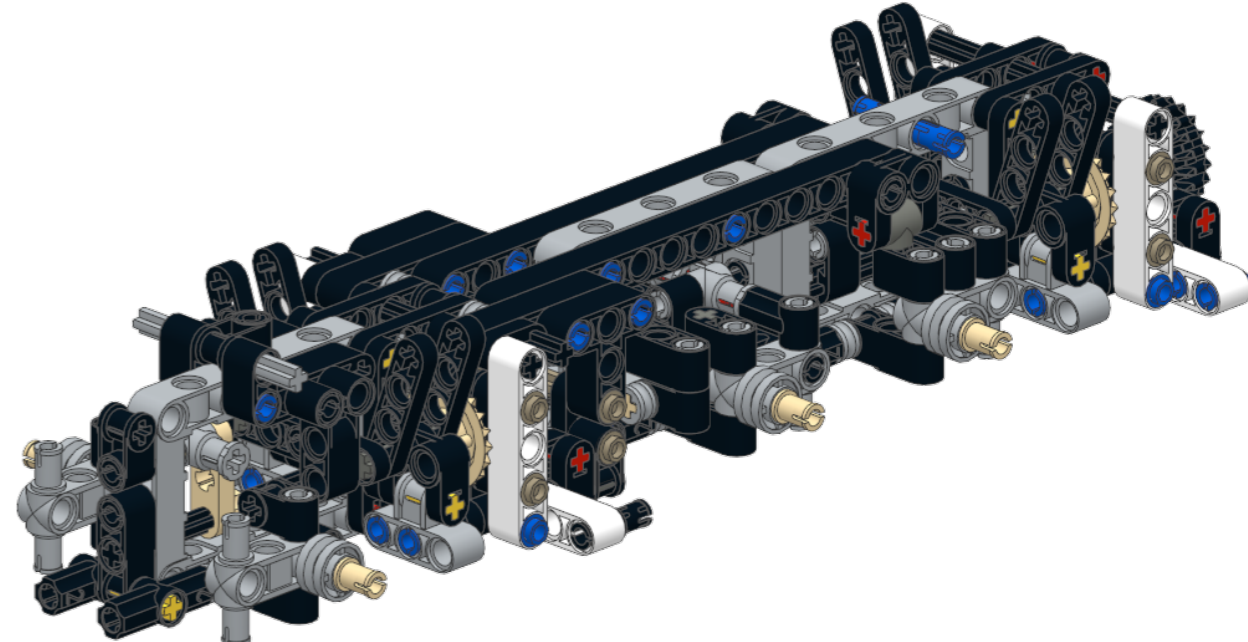
27

- 2
- 2x
- 2x



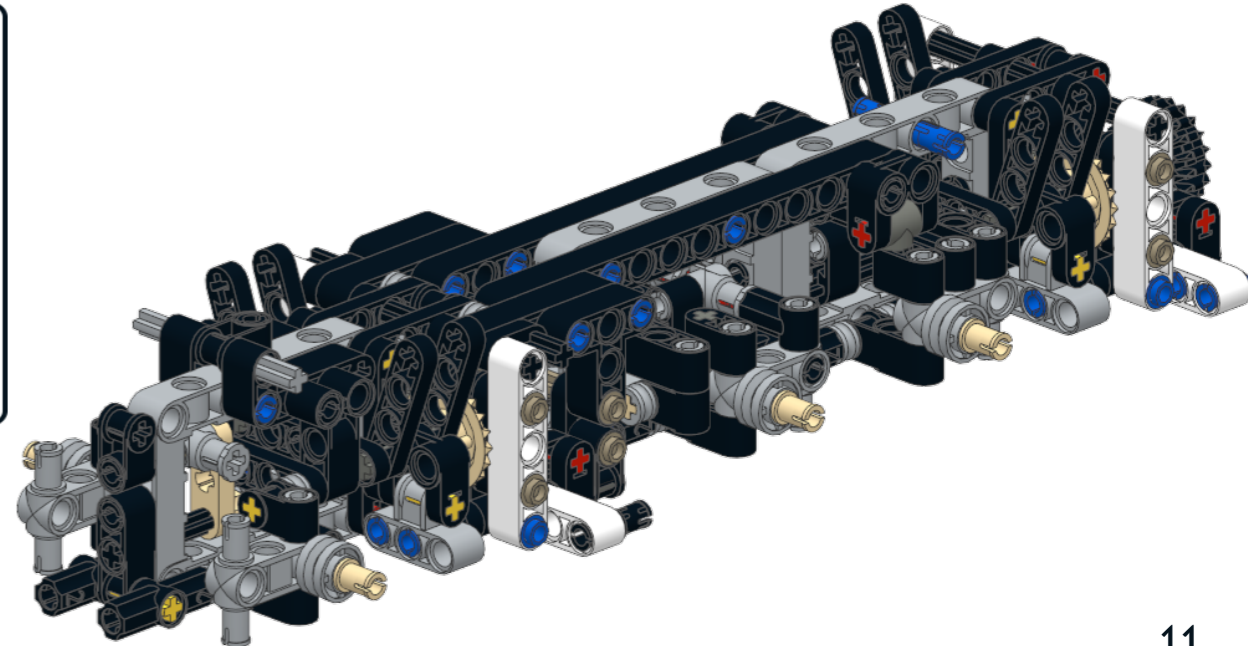
28

- 2x
- 2x

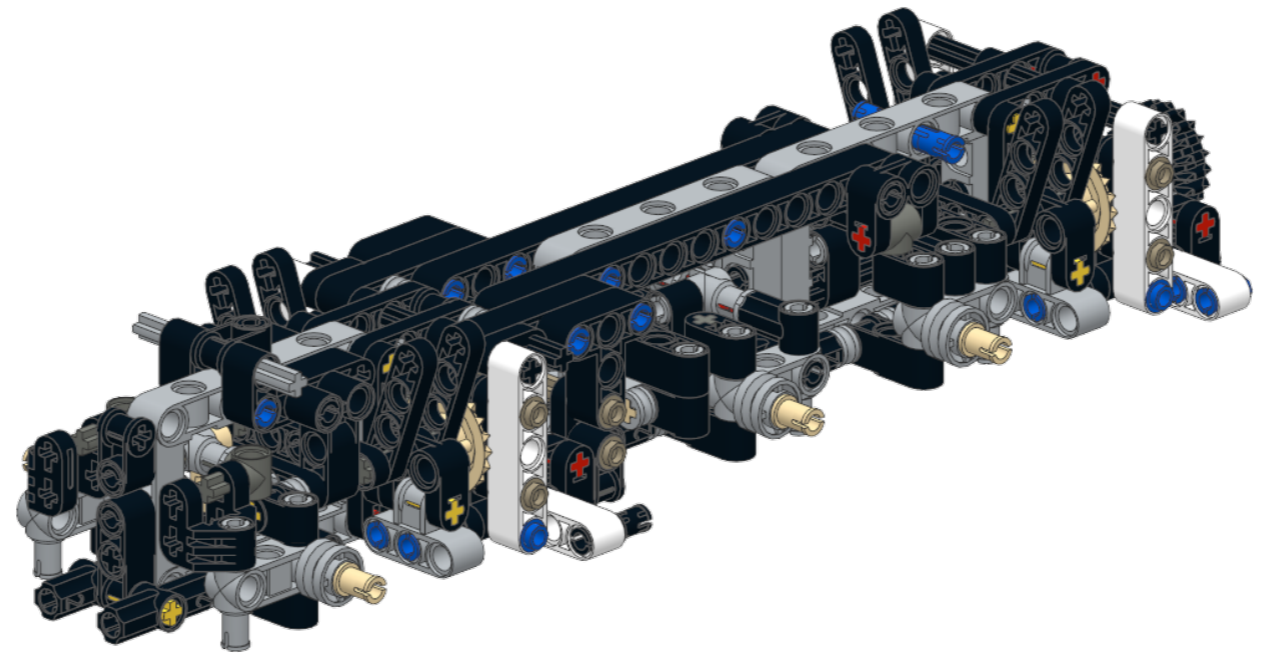


29

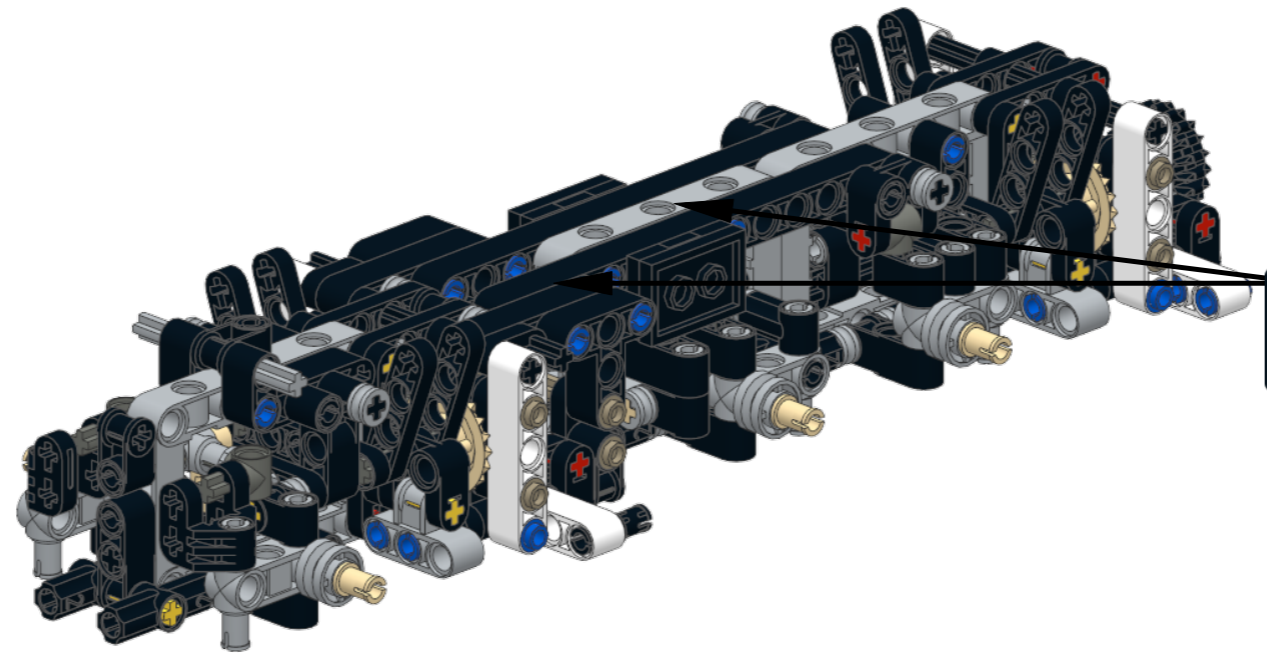
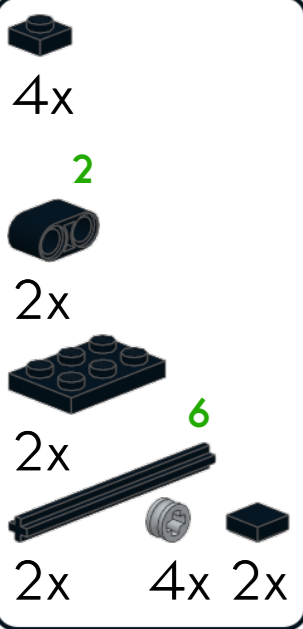
- 2x
- 2x
- 1x



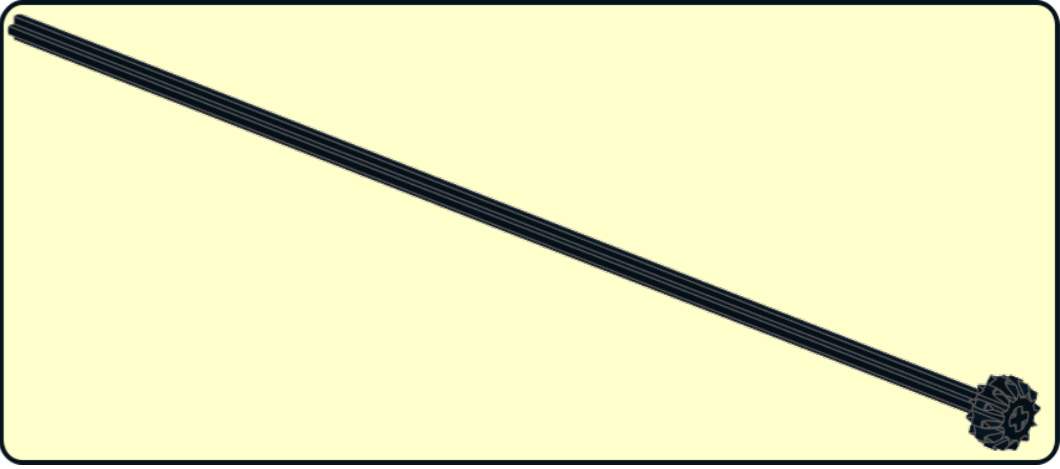
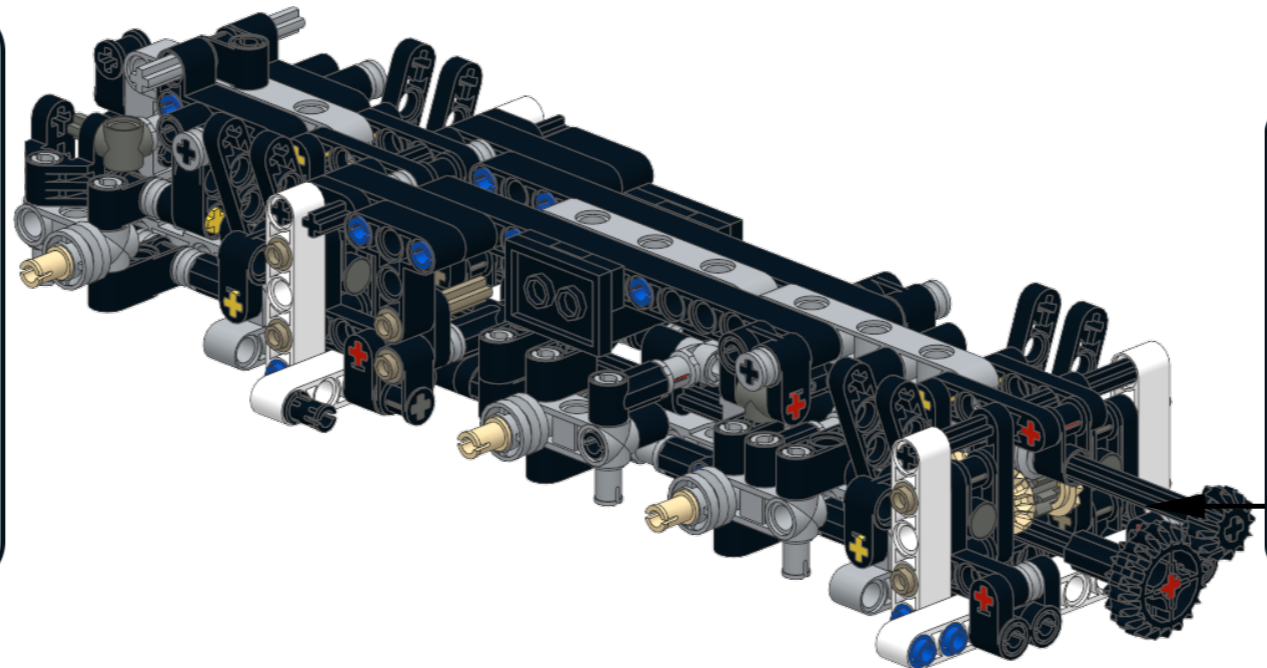
30

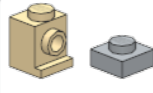


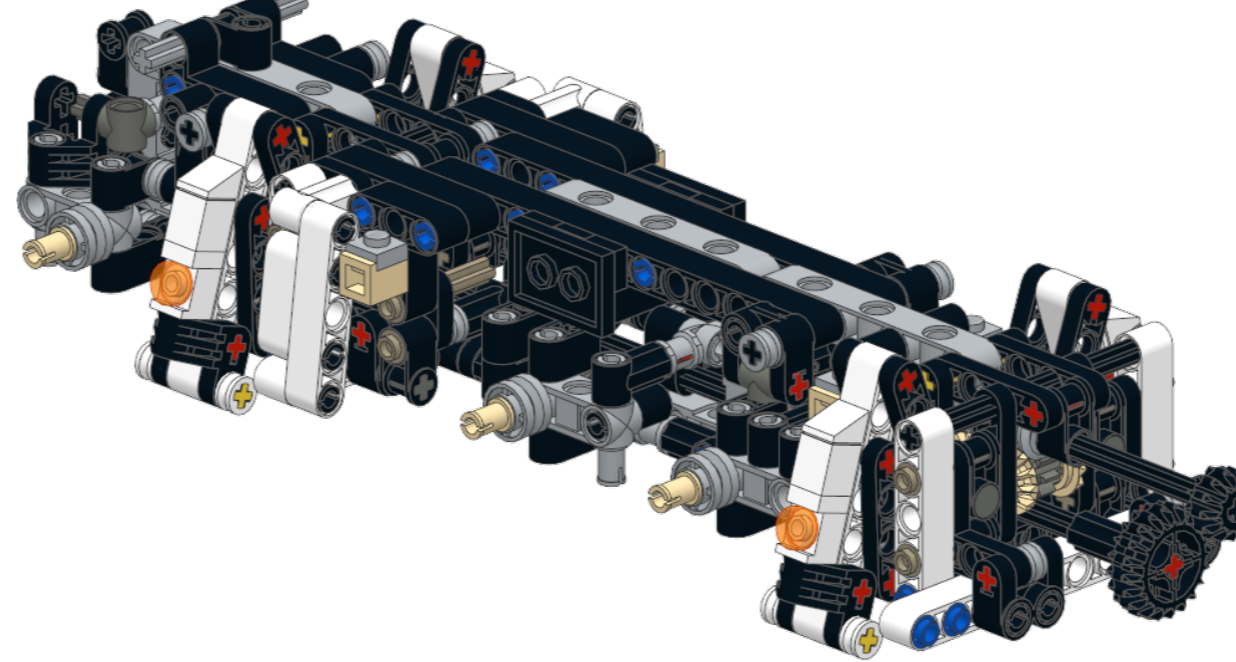
31

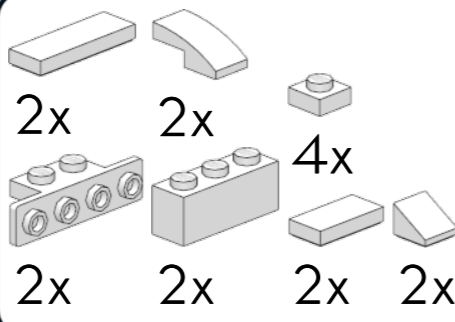


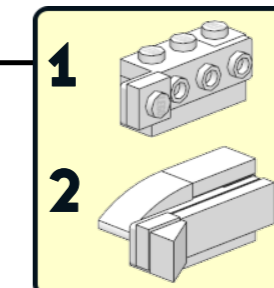
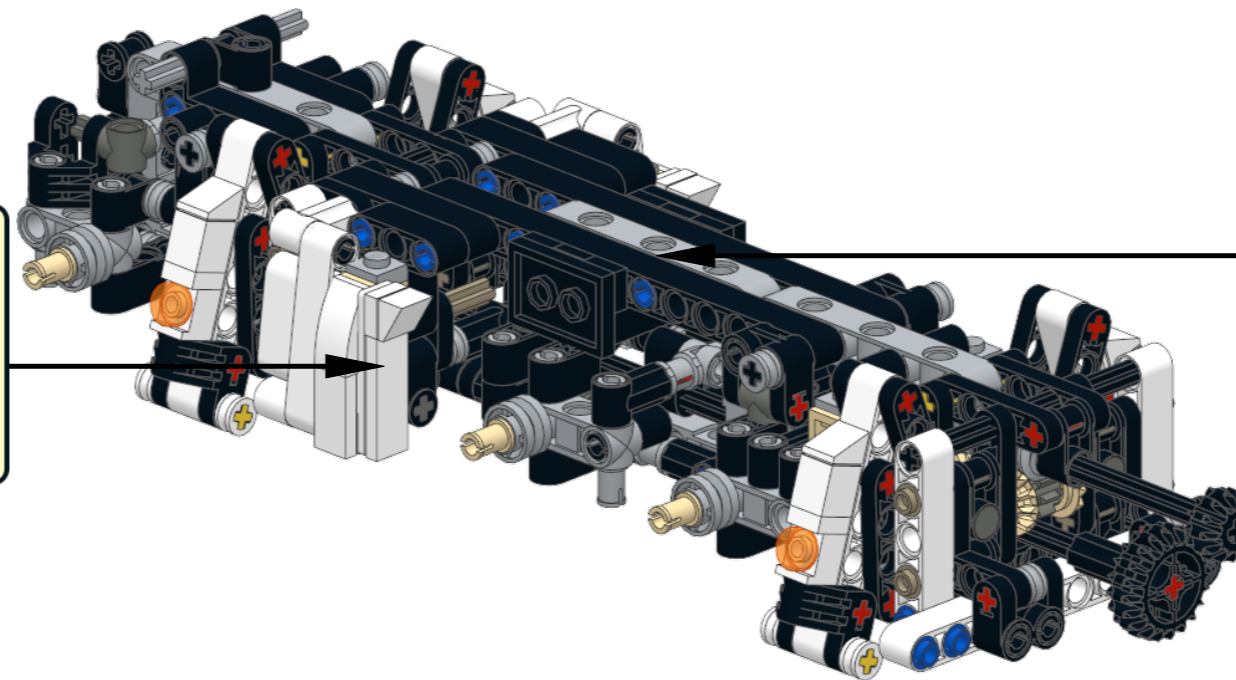
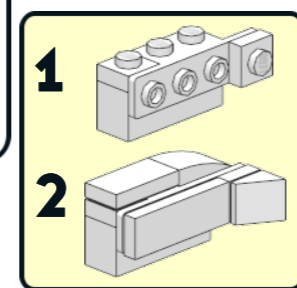
32

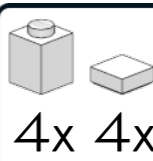


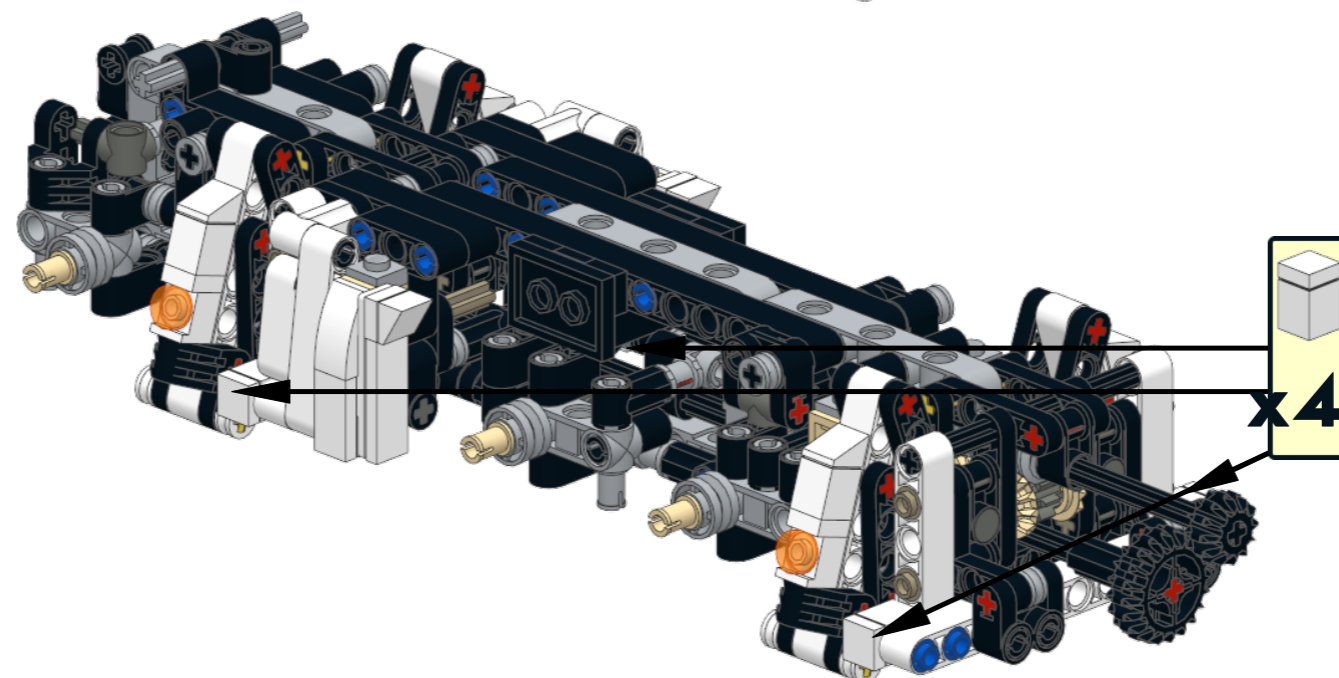
36 
4x 4x



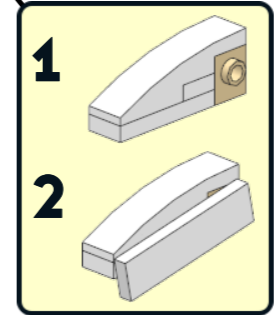
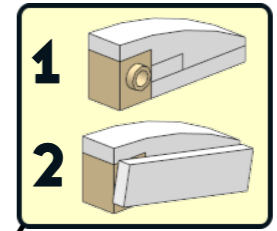
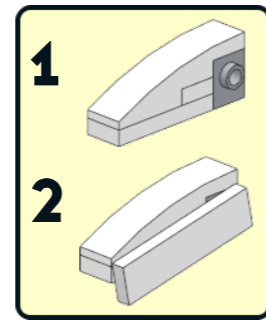
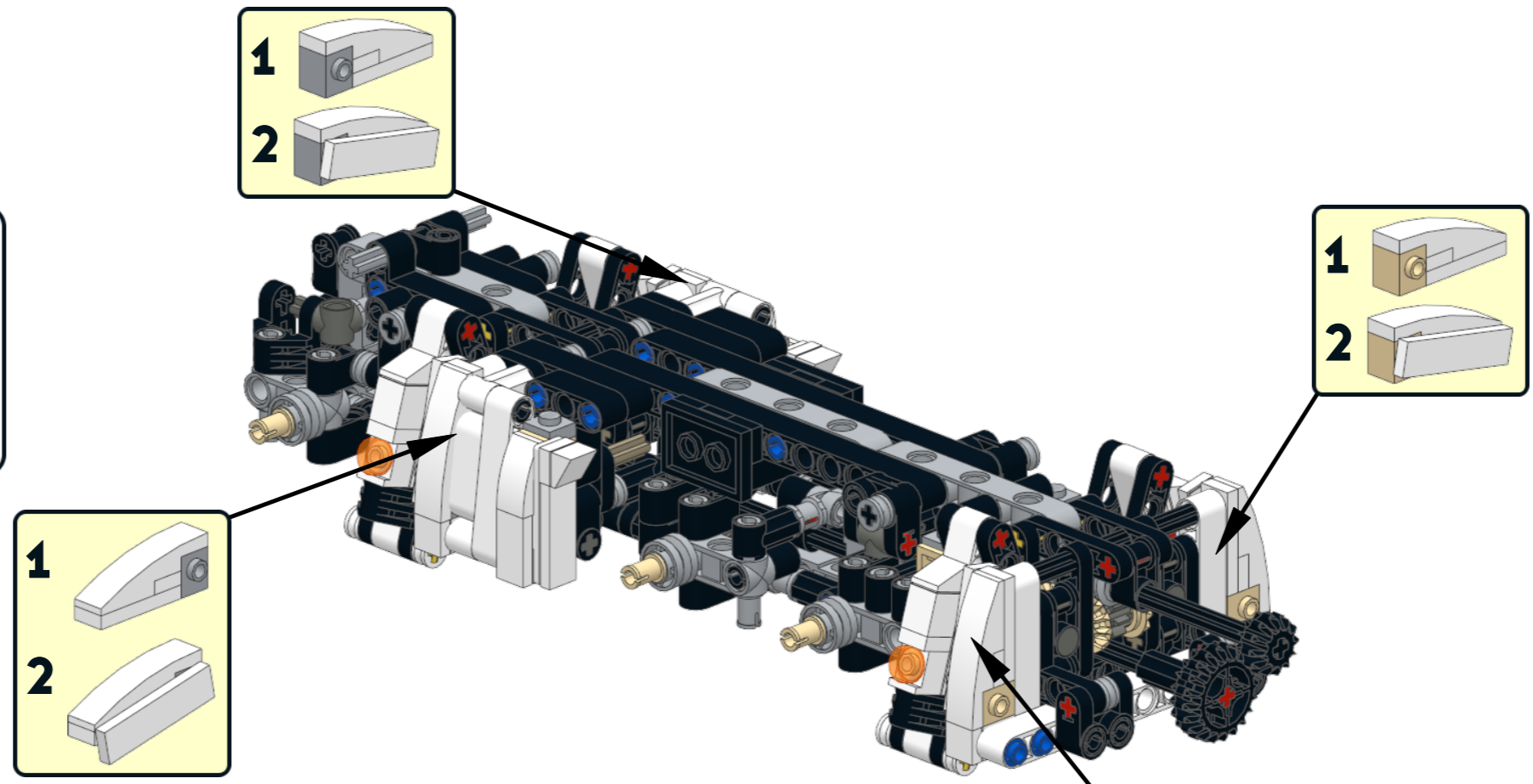
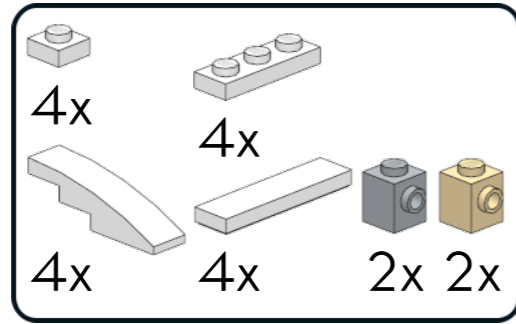
37 
2x 2x 4x
2x 2x 2x 2x



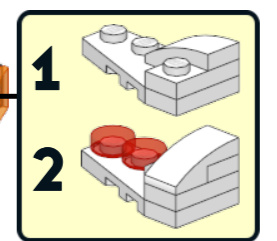
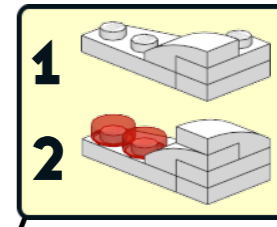
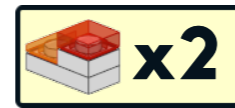
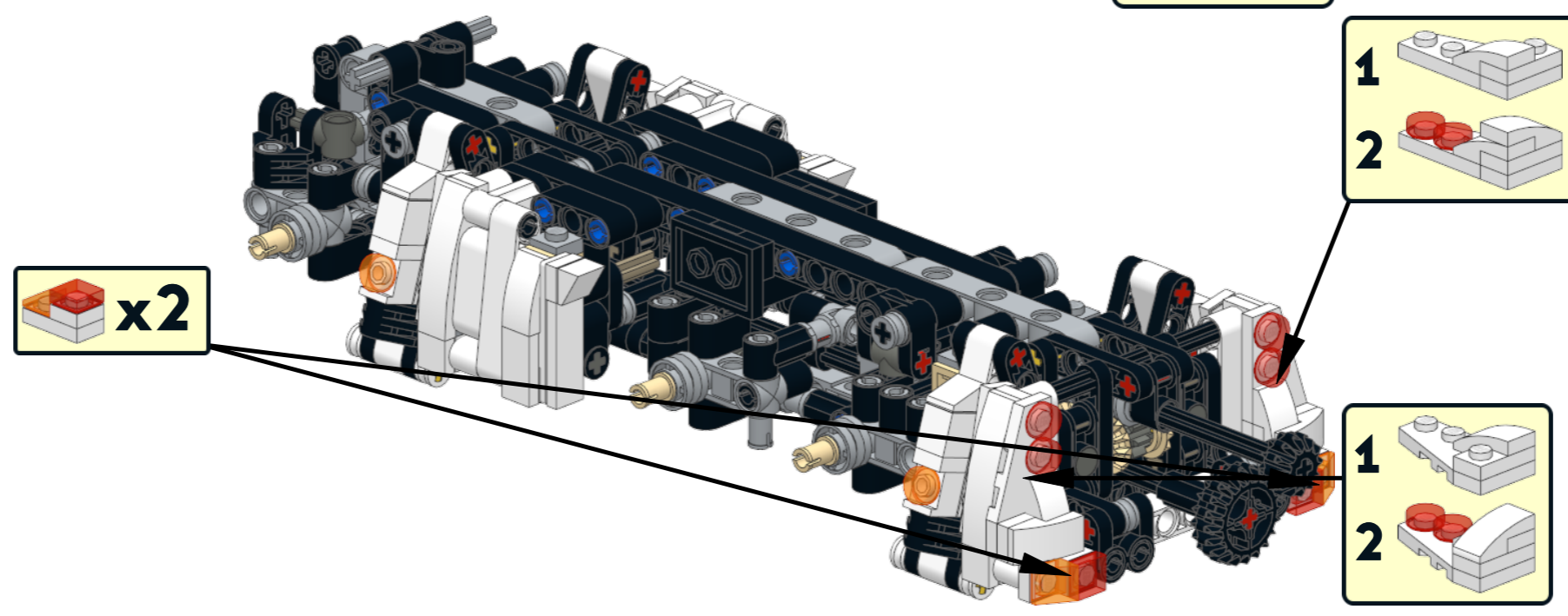
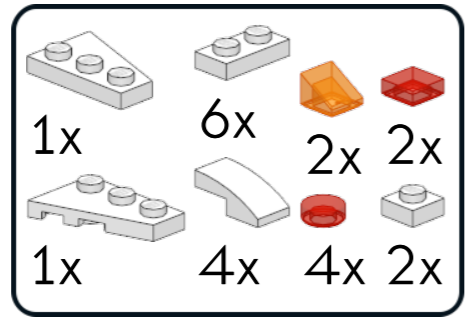
38 
4x 4x



39

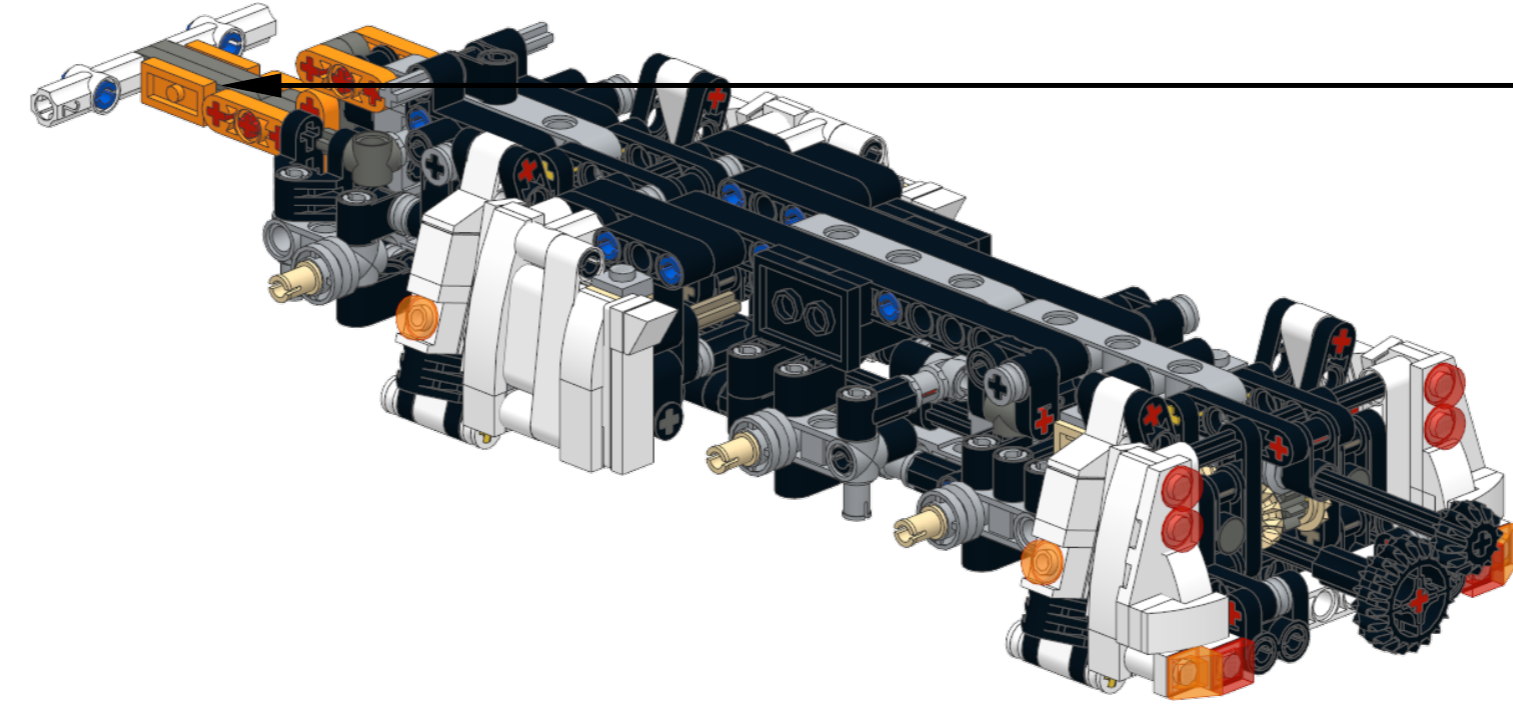


40



41

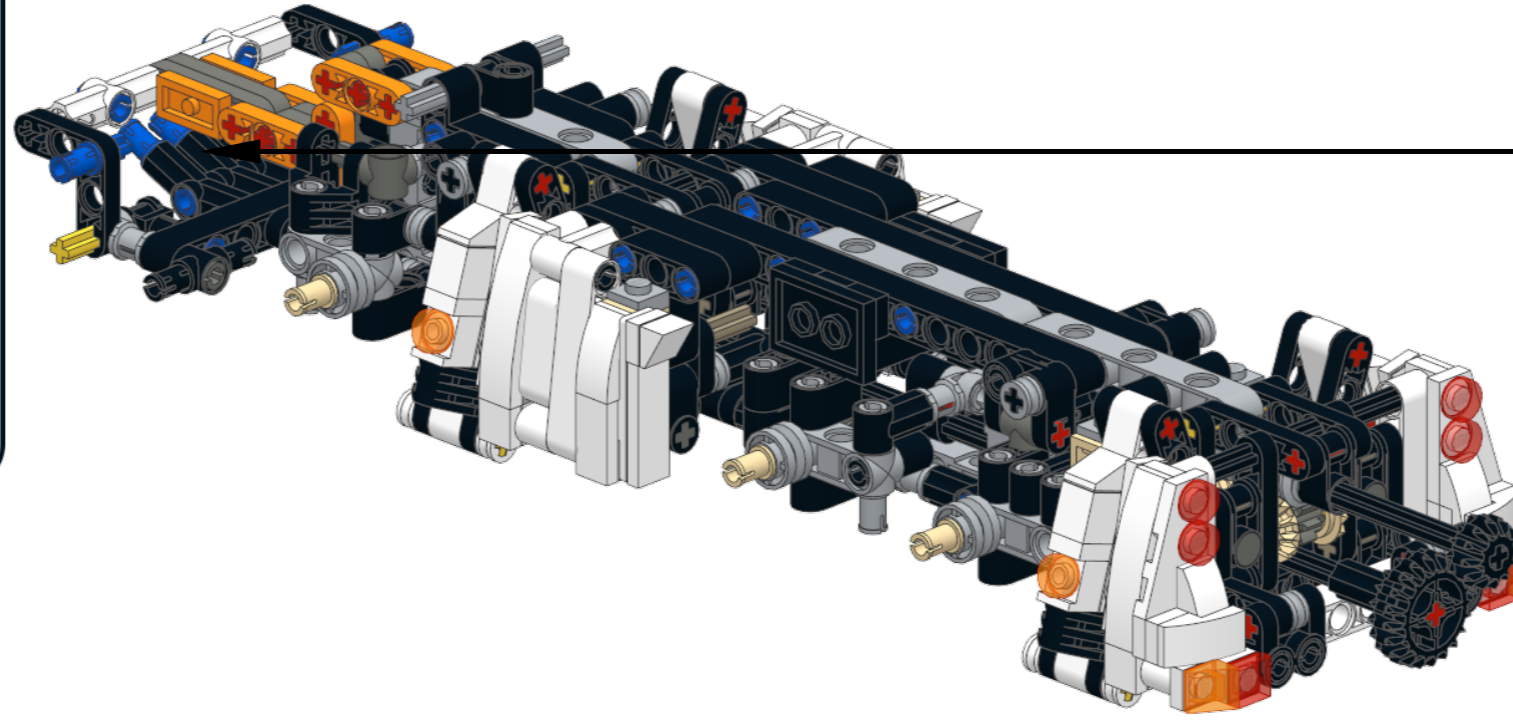
		2x
6x		
	2x	3
		9x
2x	1x	2x
		1x



-
-
-

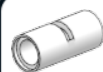





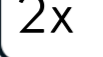

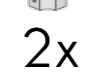

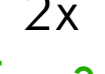

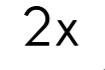
42

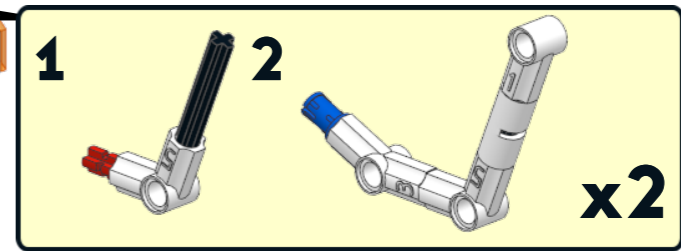
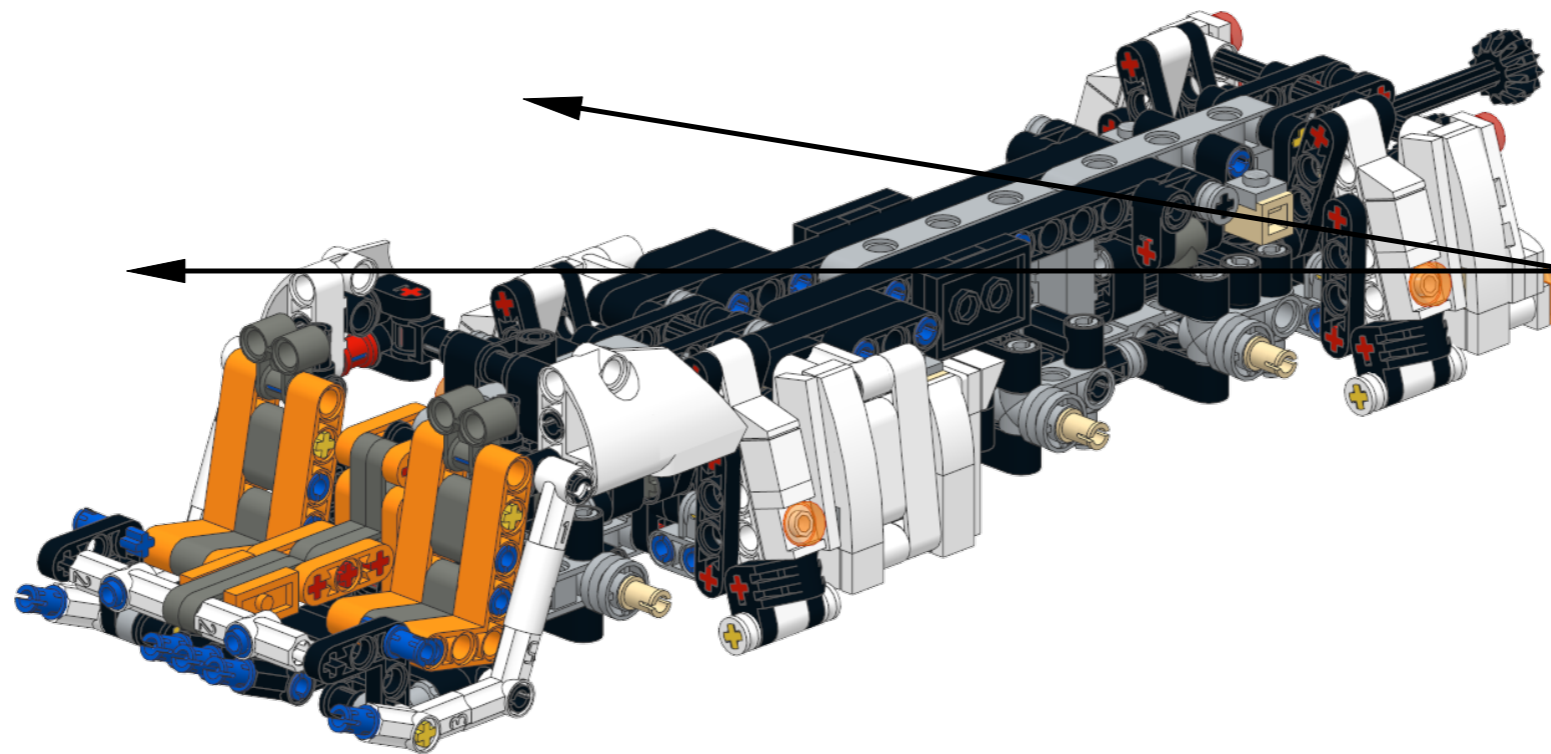
		2x	3	
3x		1x		
	2x		2x	
2x		2x		2x
1x	2x	1x	2x	8x



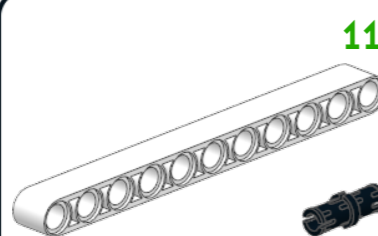

-
-
-
-

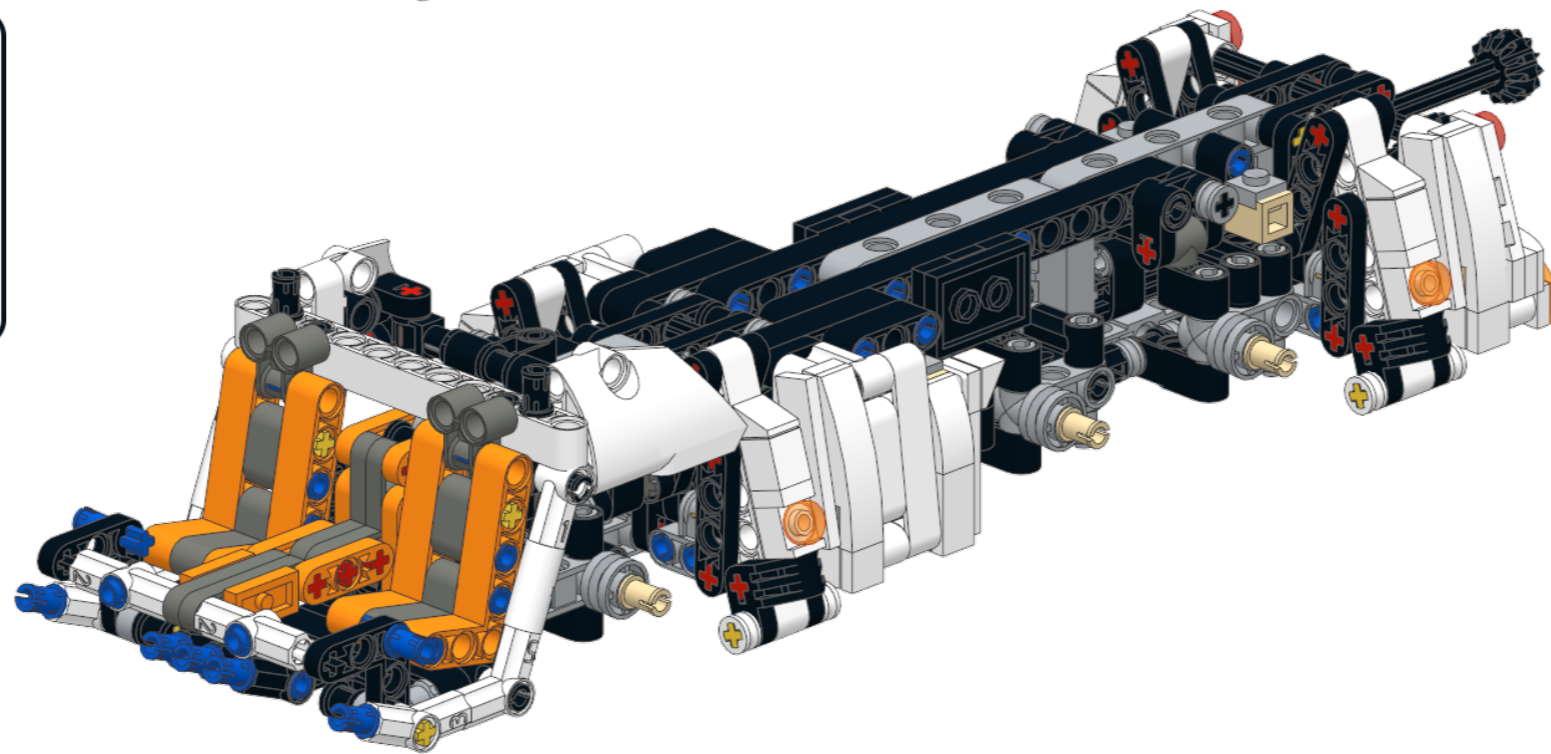
45

- 2x 
- 2x 
- 2x 
- 2x 
- 2x 
- 4 
- 2 
- 2x 
- 2x 
- 2x 
- 2x 
- 2x 
- 2x 

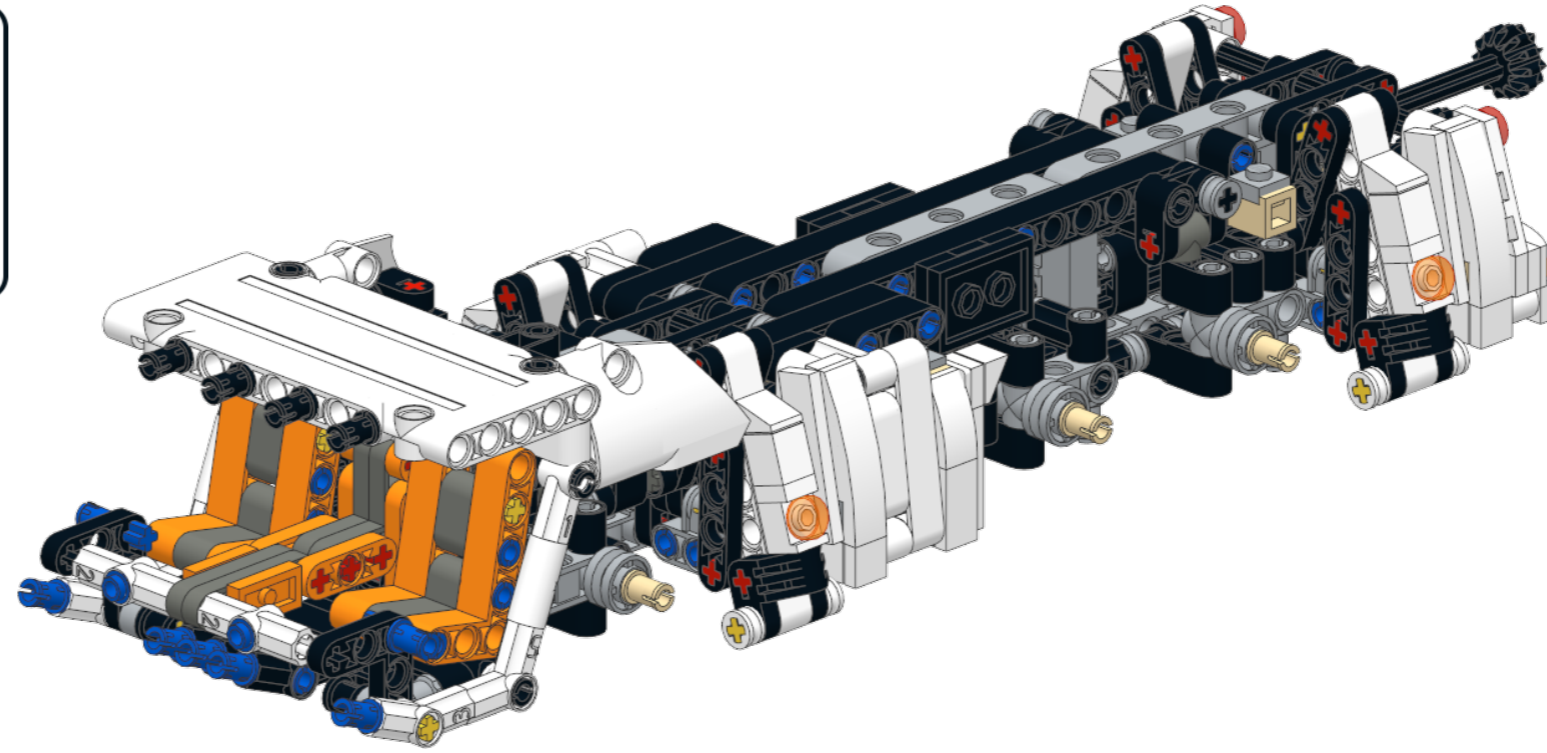
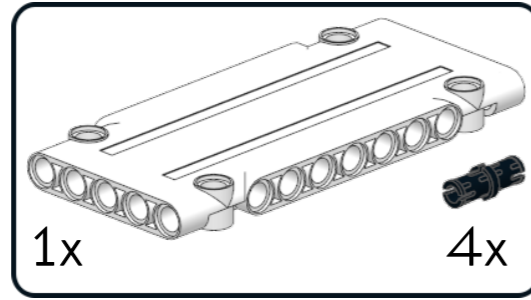


46

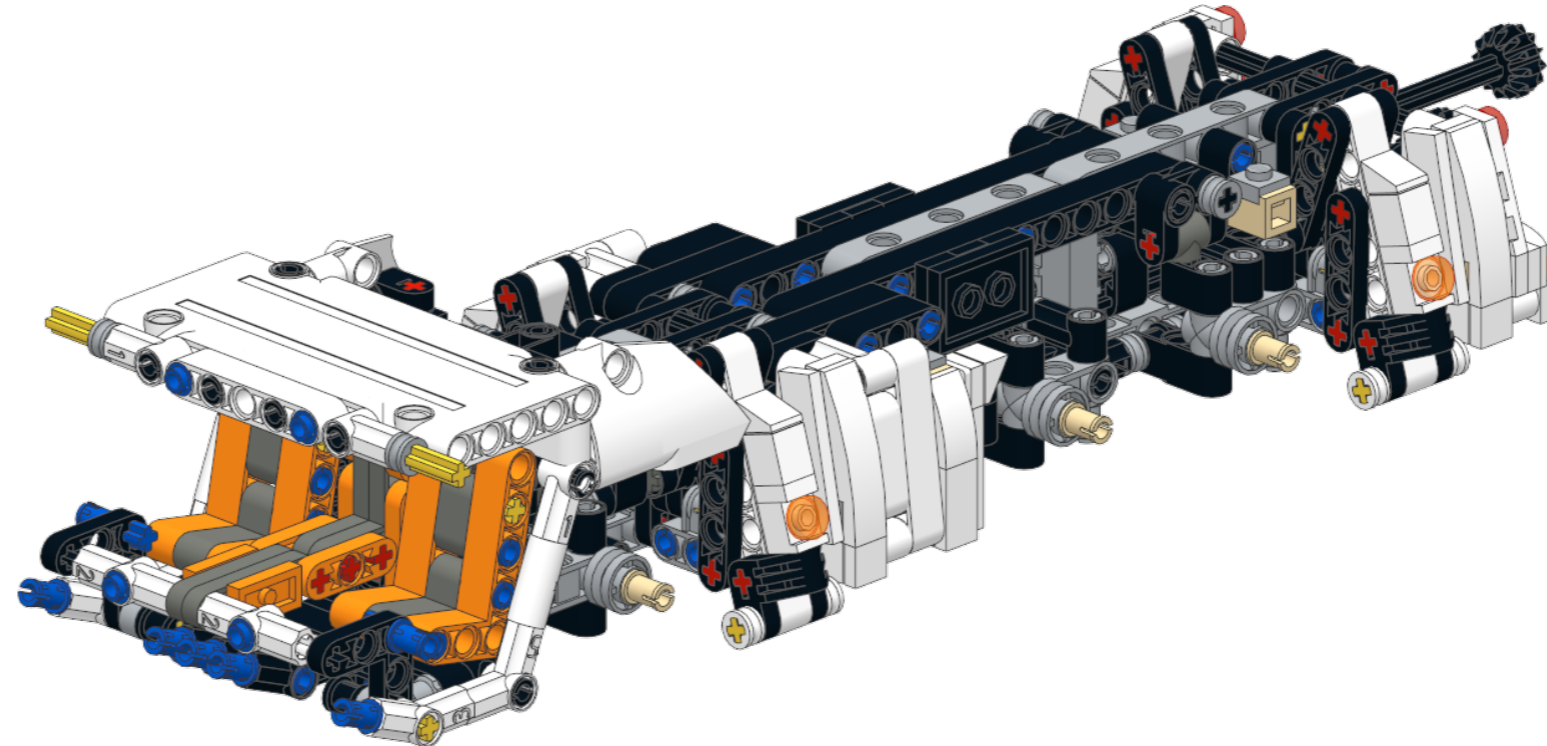
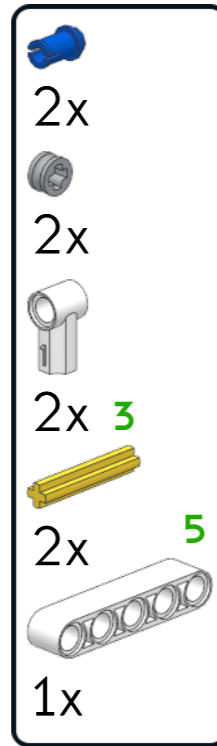
- 1x 
- 2x 



47

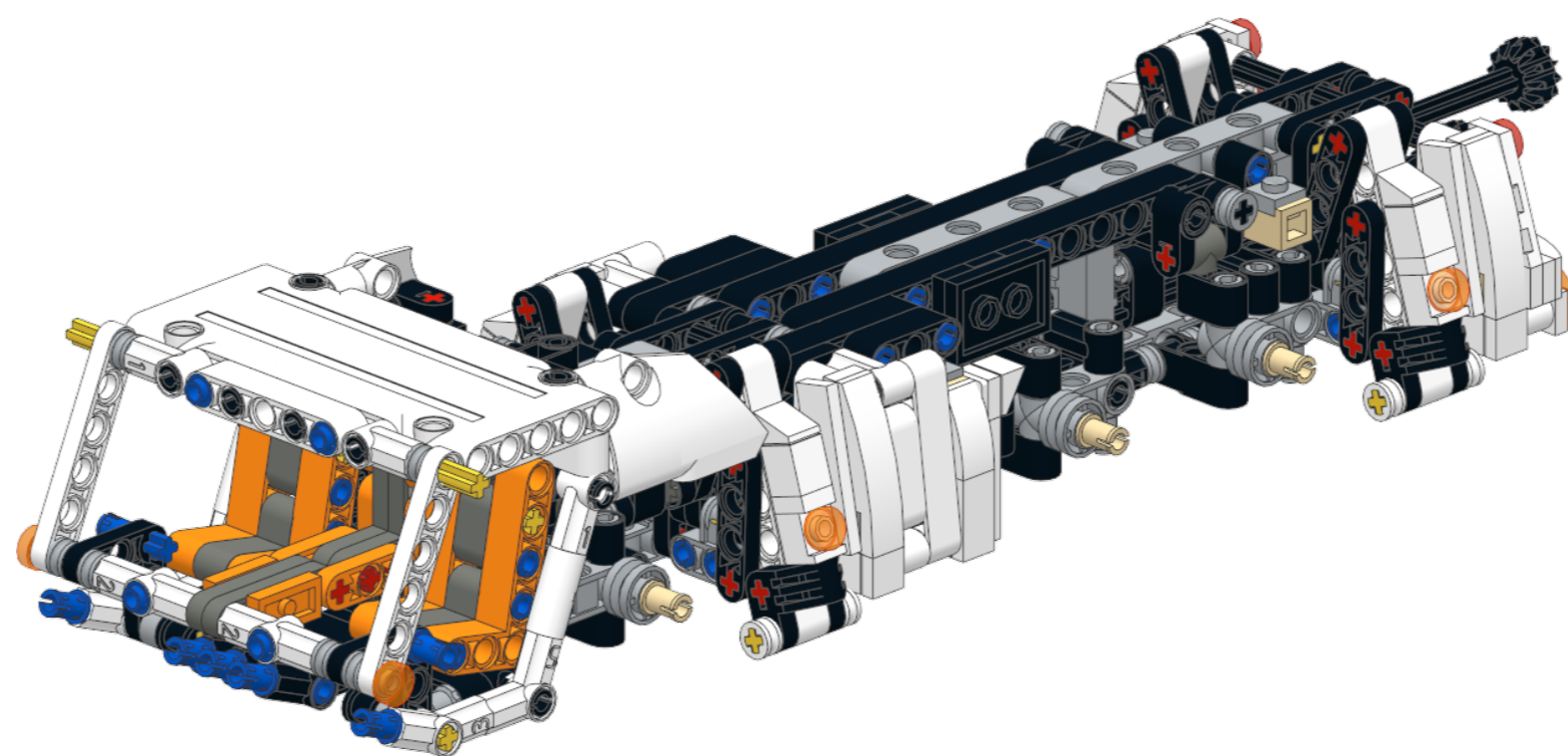


48

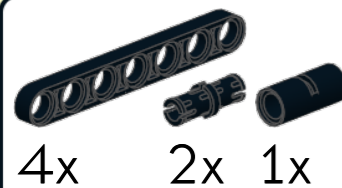


49

- 4x 3
- 2x
- 2x 2x

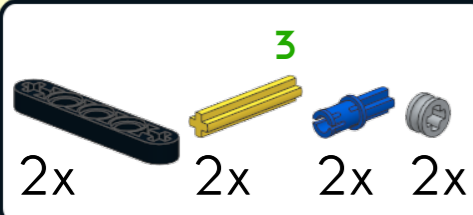


1



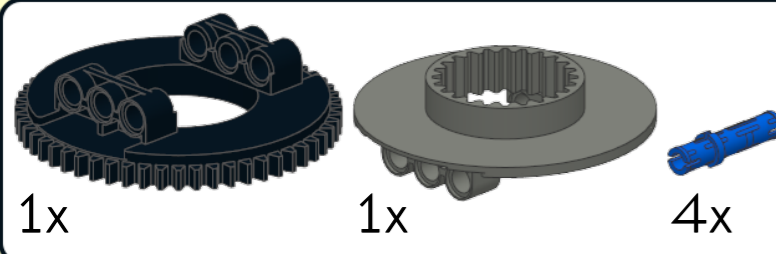
4x 2x 1x

2



2x 2x 2x 2x

3




1x 1x 4x

4



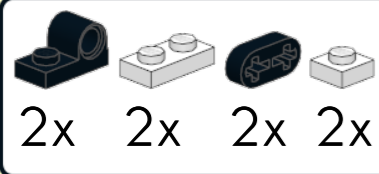
2x 2x

5

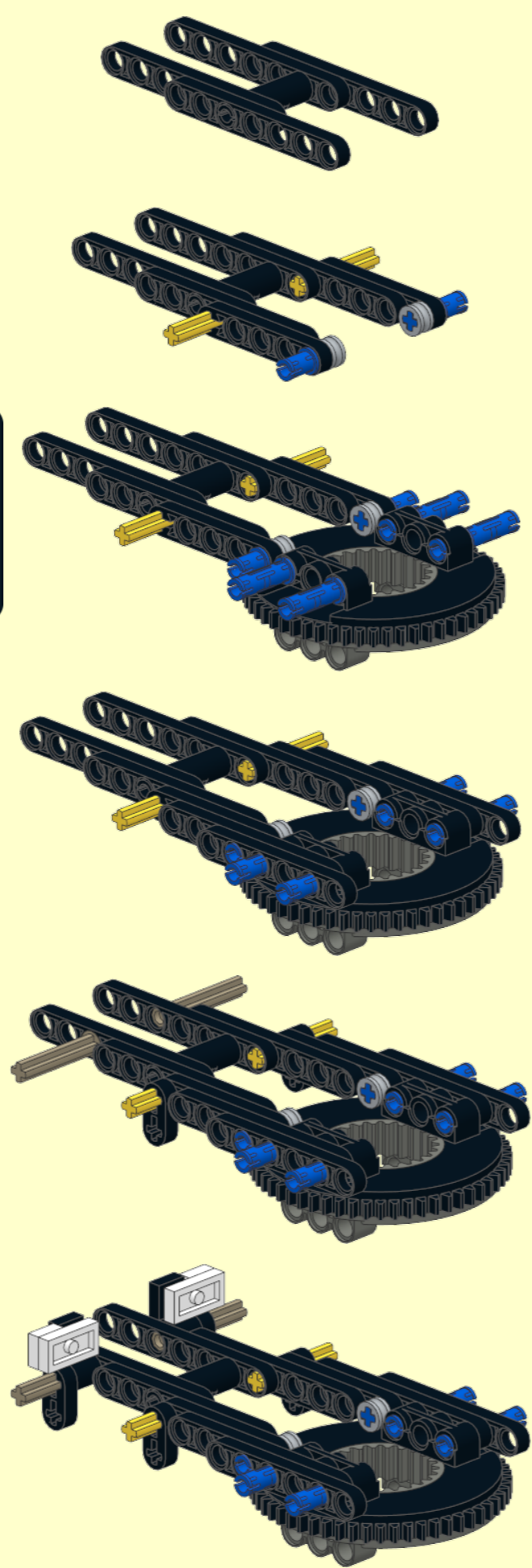


2x 2x

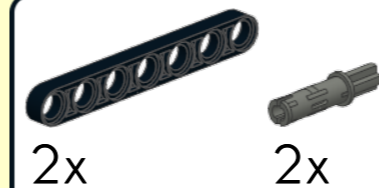
6



2x 2x 2x 2x

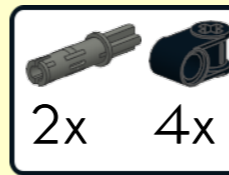


7



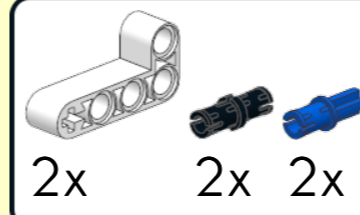
2x 2x

8



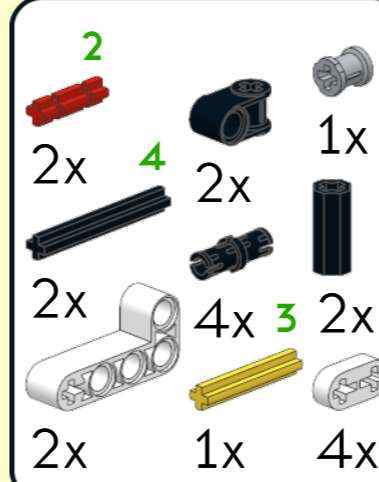
2x 4x

9

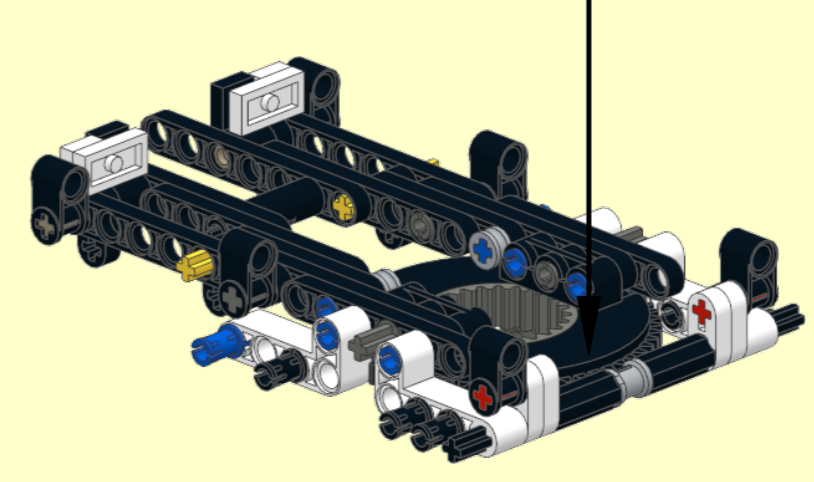
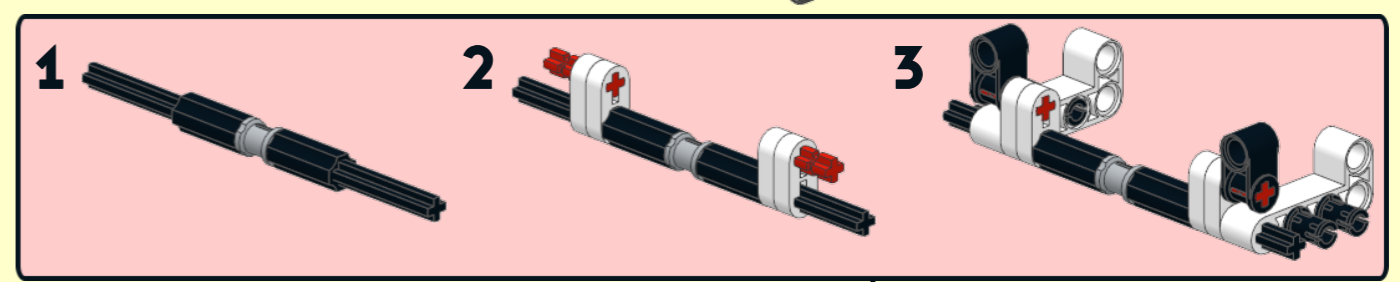
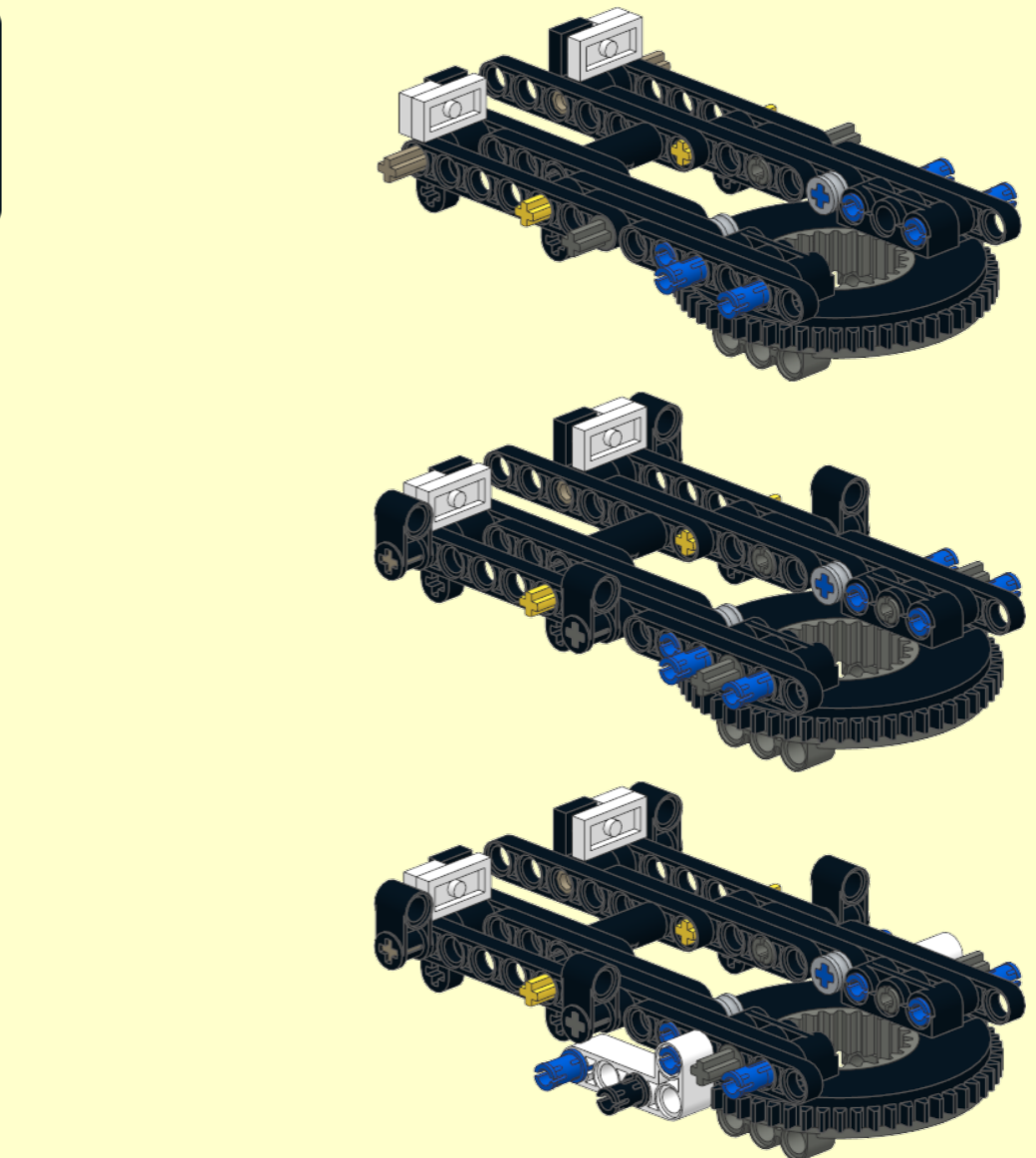


2x 2x 2x

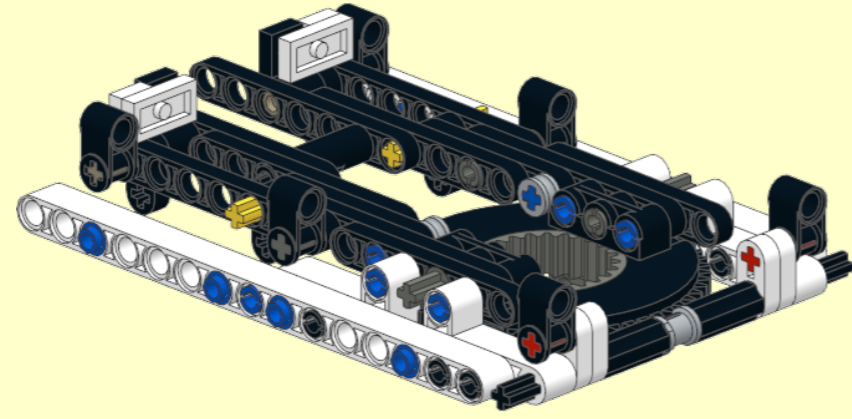
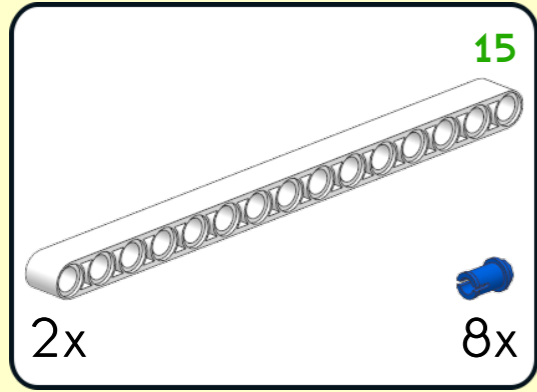
10



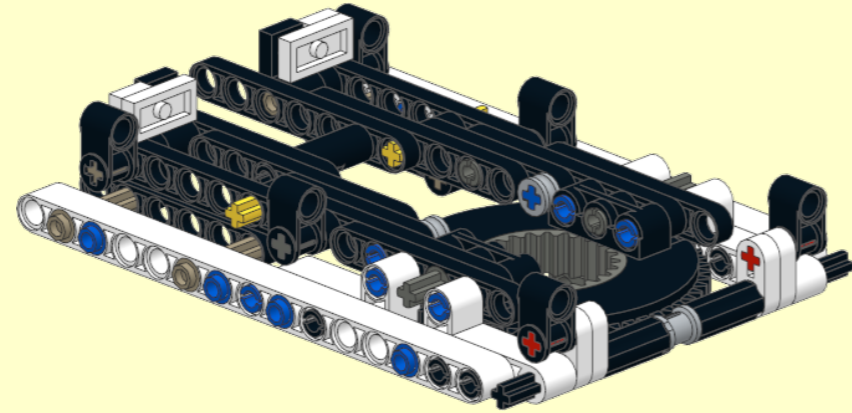
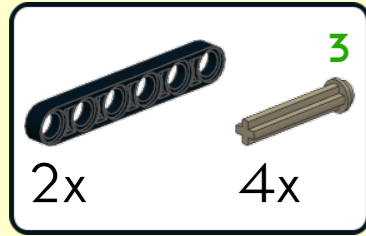
2x 2x 1x
2x 2x 2x
2x 4x 3x 2x
2x 1x 4x



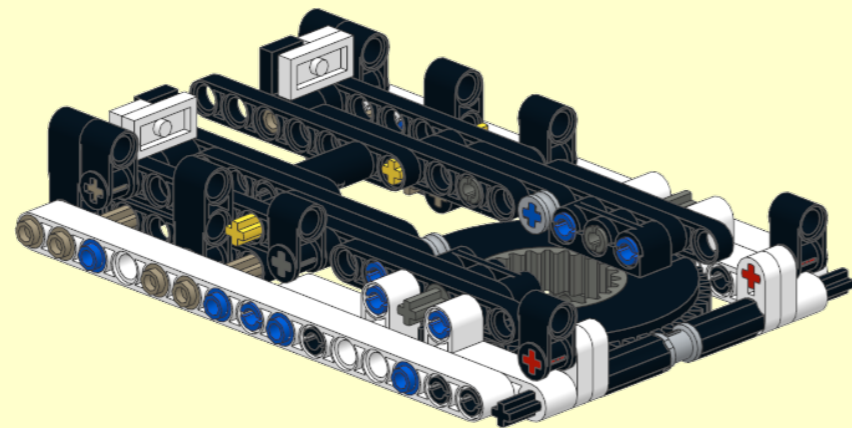
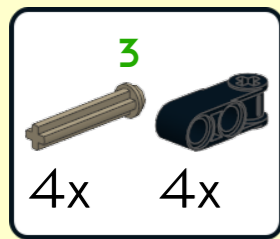
11



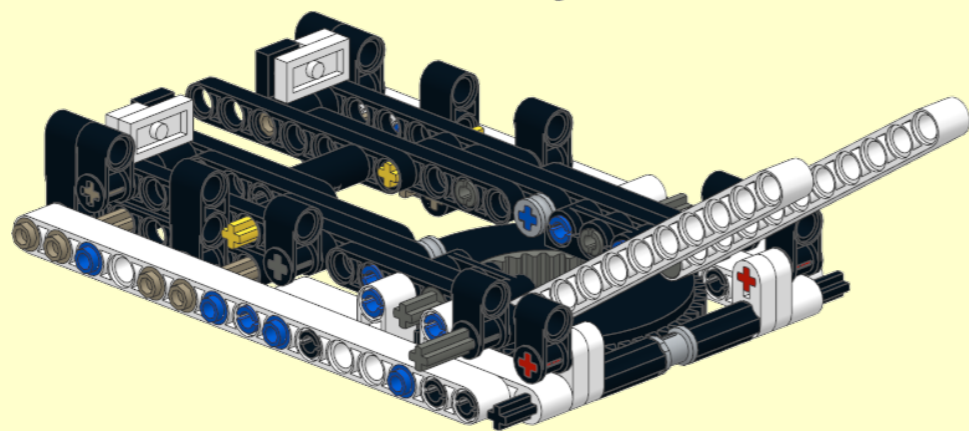
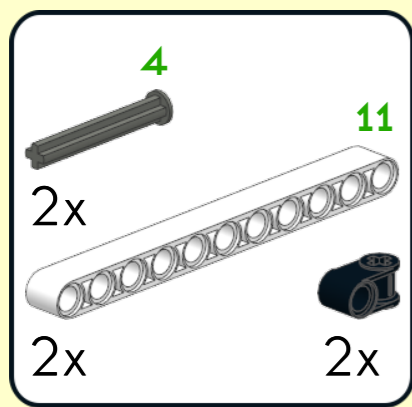
12



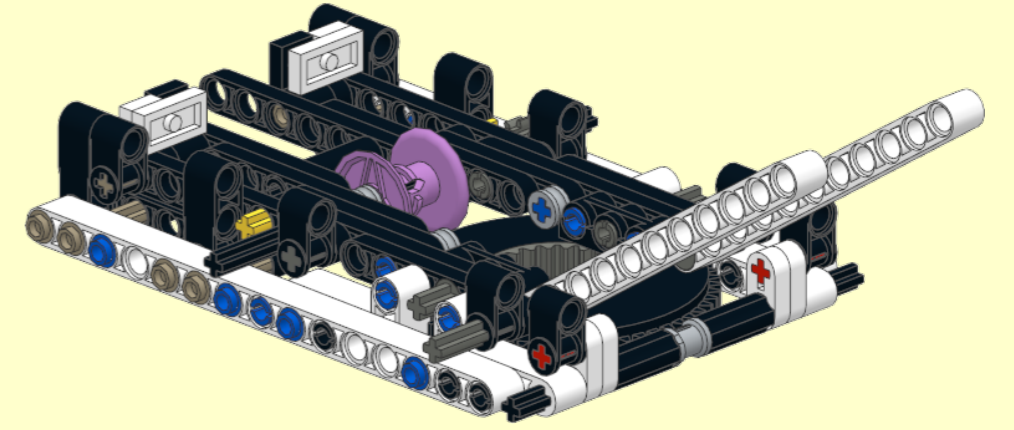
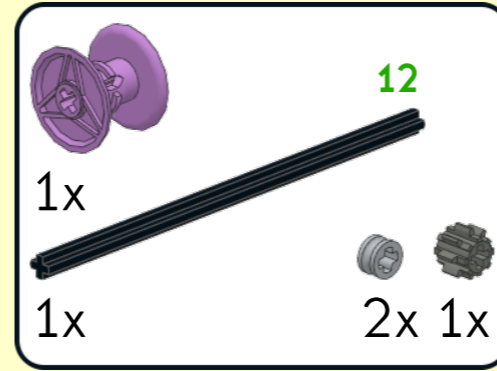
13



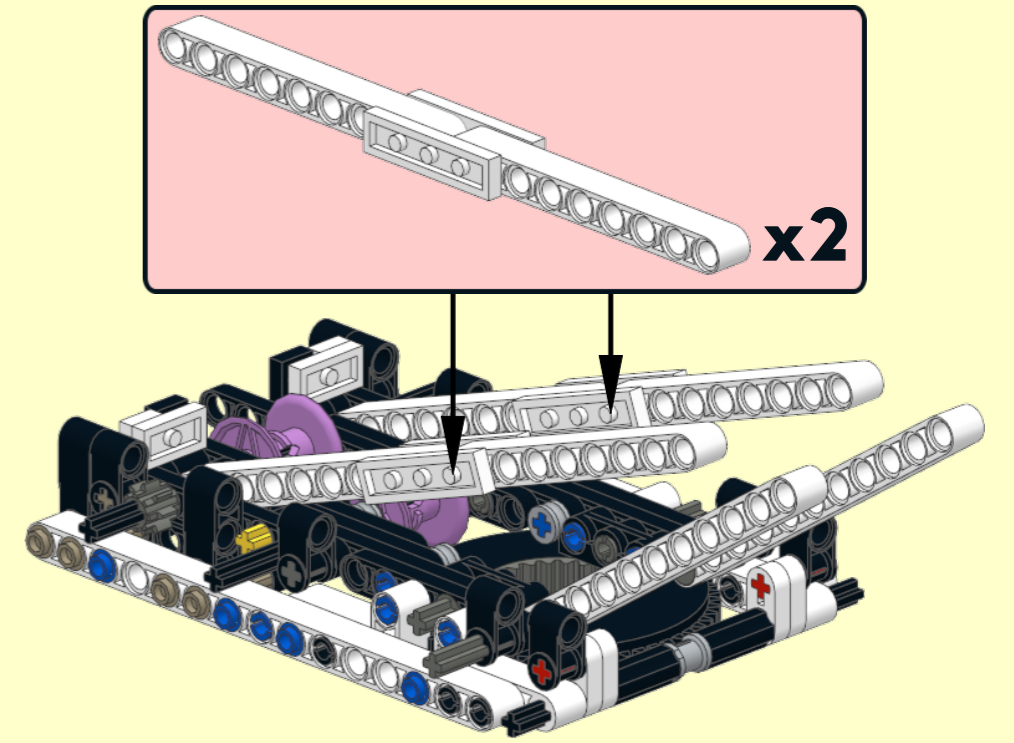
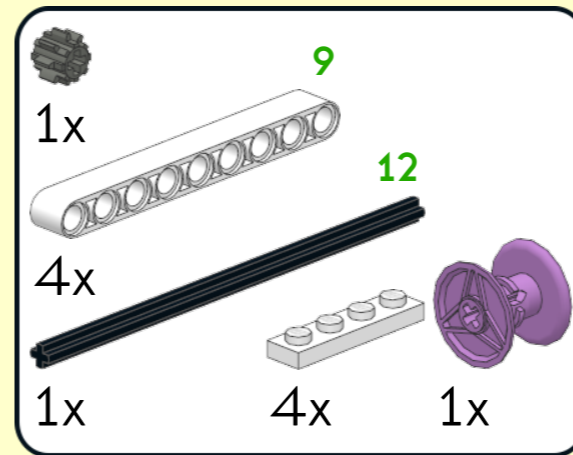
14



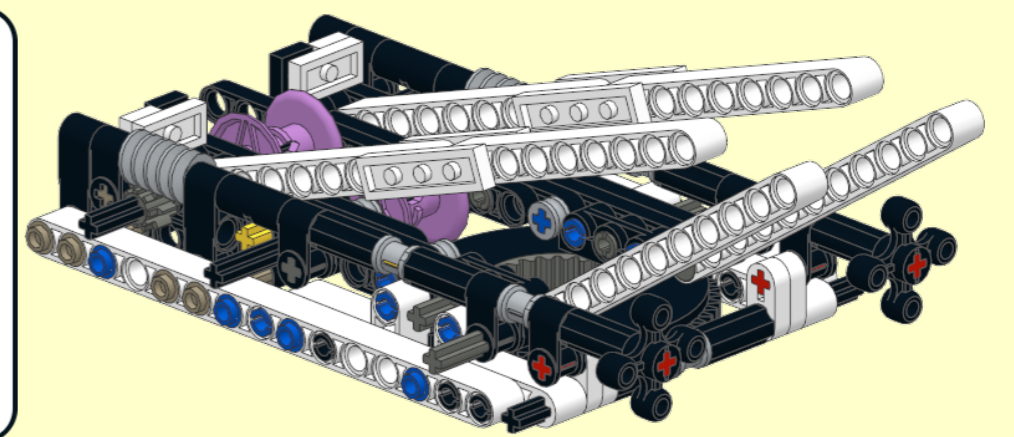
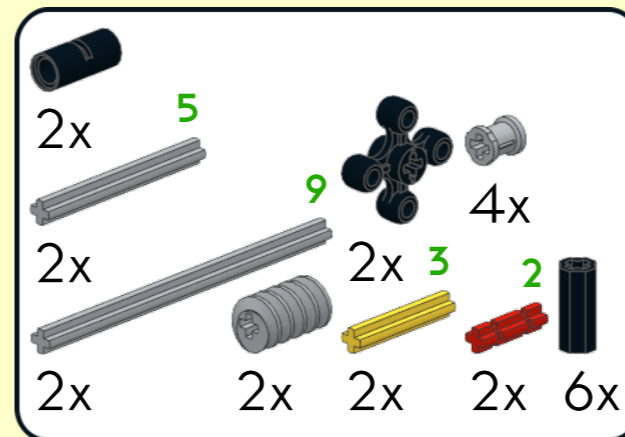
15



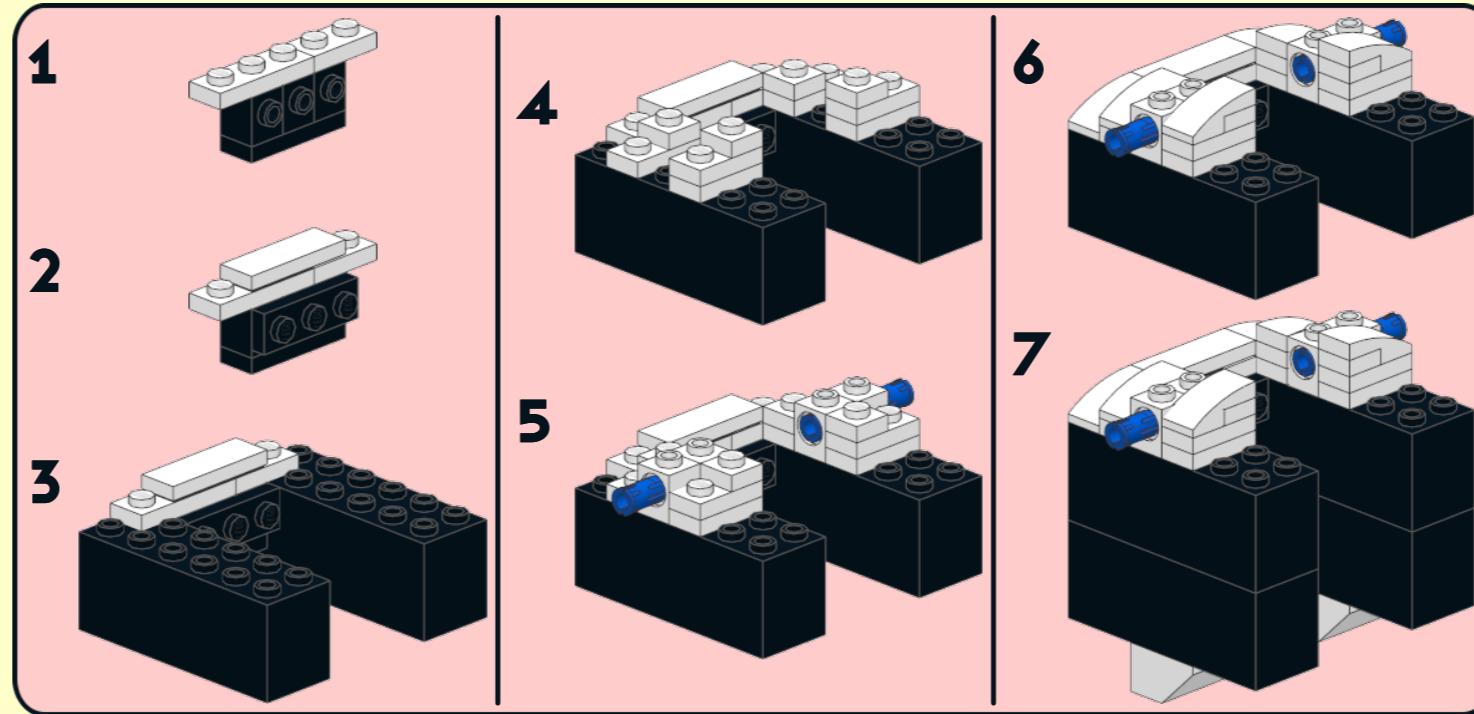
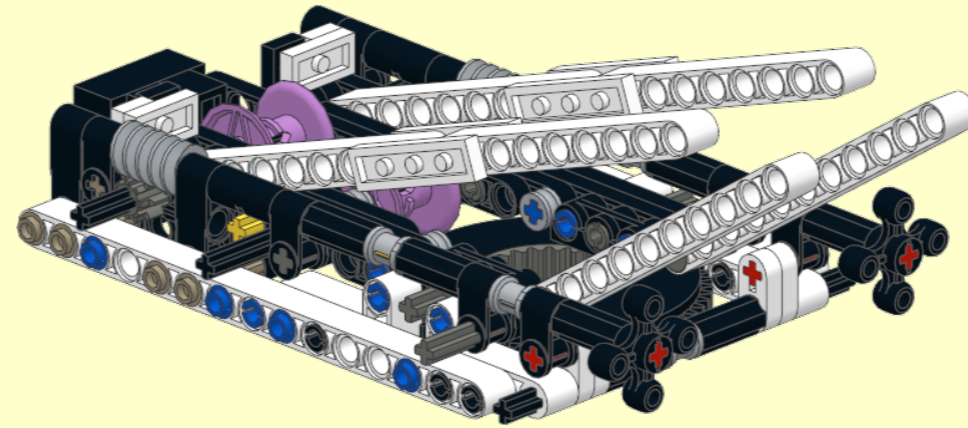
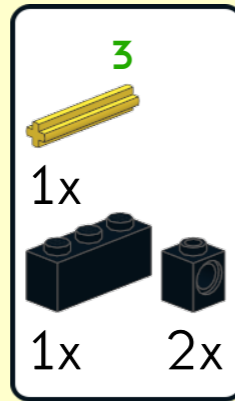
16



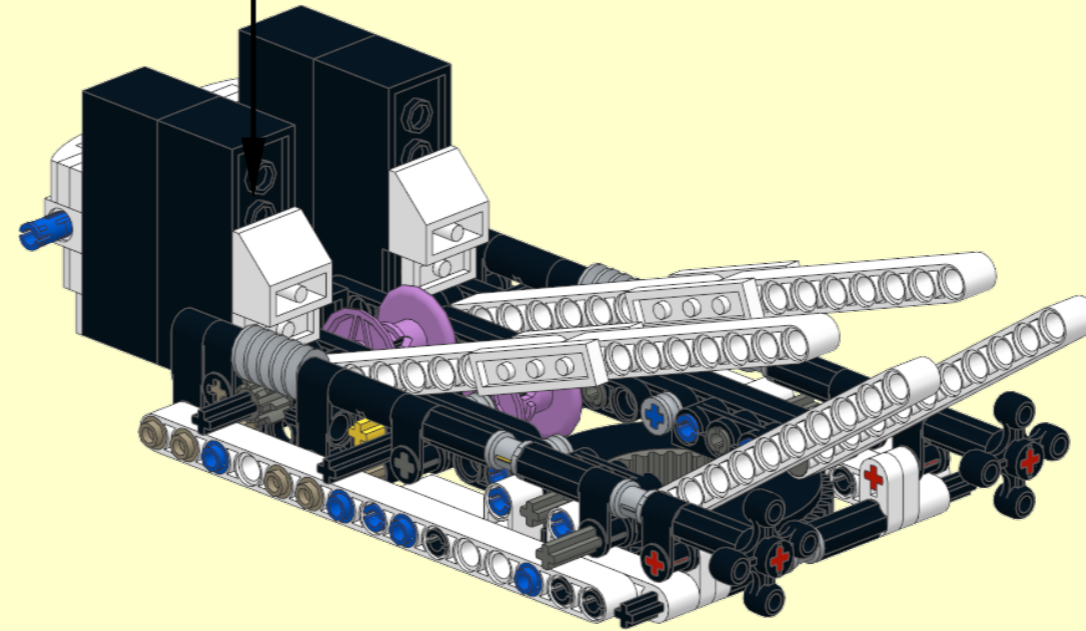
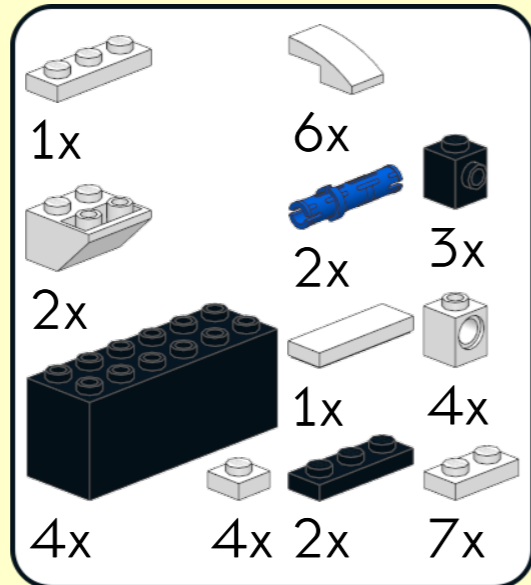
17



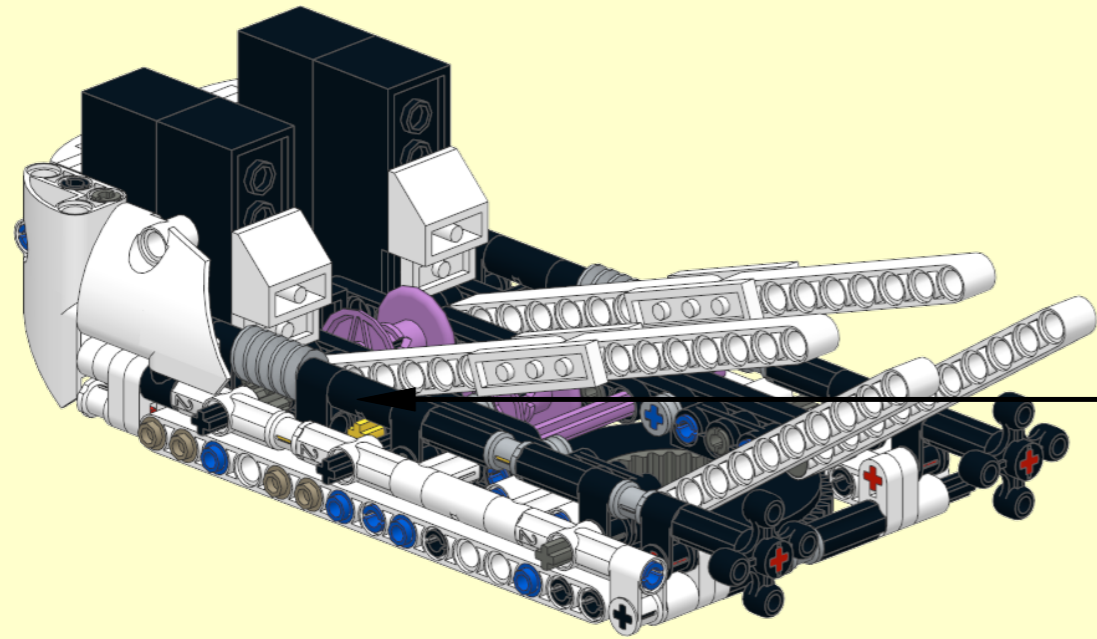
18



19



- 1x [Grey 1-hole Technic Connector]
- 3x [Grey 3-hole Technic Connector]
- 1x [Black 2-way Technic Connector]
- 2x [Black 3-way Technic Connector]
- 1x [Grey 1-hole Technic Connector]
- 3x [Grey 3-hole Technic Connector]
- 1x [Grey 1-hole Technic Connector]
- 2x [Black 2-way Technic Connector]
- 1x [Black 3-way Technic Connector]
- 1x [Red Technic Pin]
- 1x [Blue Technic Pin]
- 1x [Black Technic Pin]
- 1x [Grey 1-hole Technic Connector]
- 4x [Grey 3-hole Technic Connector]
- 2x [Grey 1-hole Technic Connector]
- 1x [Grey 1-hole Technic Connector]
- 2x [Grey 3-hole Technic Connector]
- 1x [Grey 1-hole Technic Connector]
- 2x [Grey 3-hole Technic Connector]



1

2

3

4

5

6

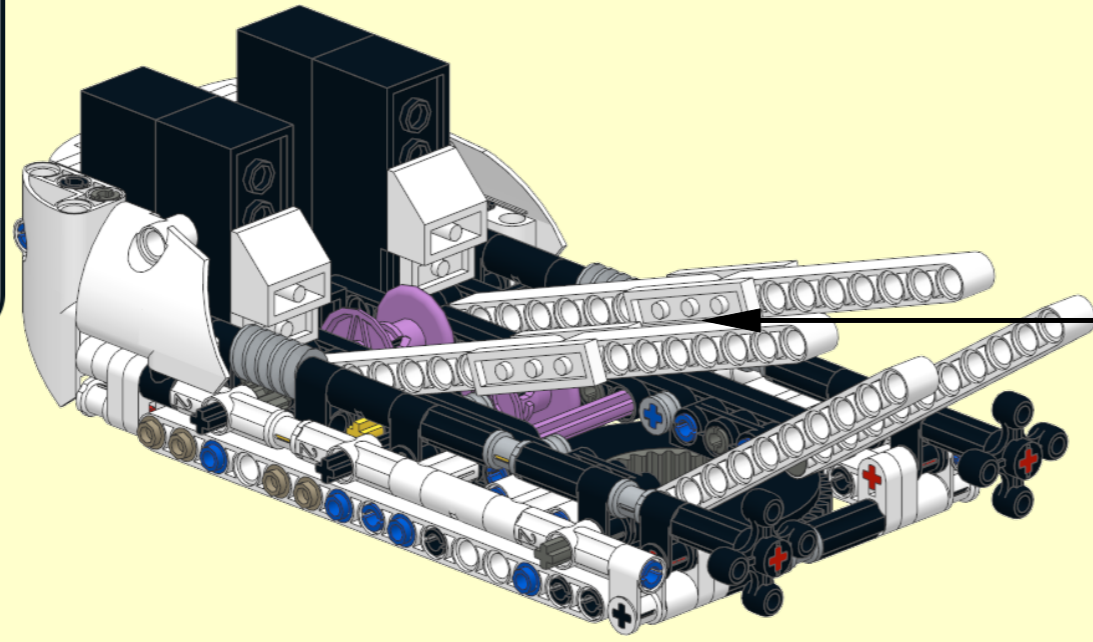
7

1

2

21

- | | | | | | |
|----|----|----|----|----|--|
| 1x | 3 | 2 | | | |
| | | | | | |
| 2x | 1x | 1x | 1x | | |
| | | | | | |
| 3x | 1x | 1x | 1x | 2x | |
| | | | | | |
| 1x | 2x | 1x | 1x | 2x | |
| | | | | | |
| 3x | 1x | 2x | 4x | | |
| | | | | | |



1

2

3

4

5

6

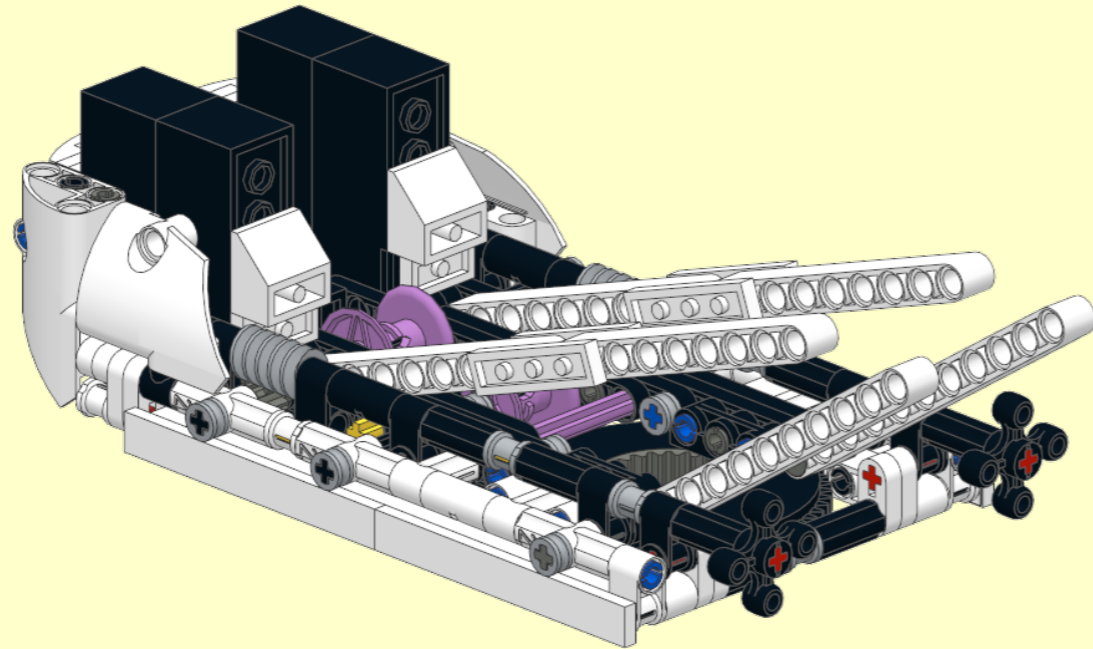
7

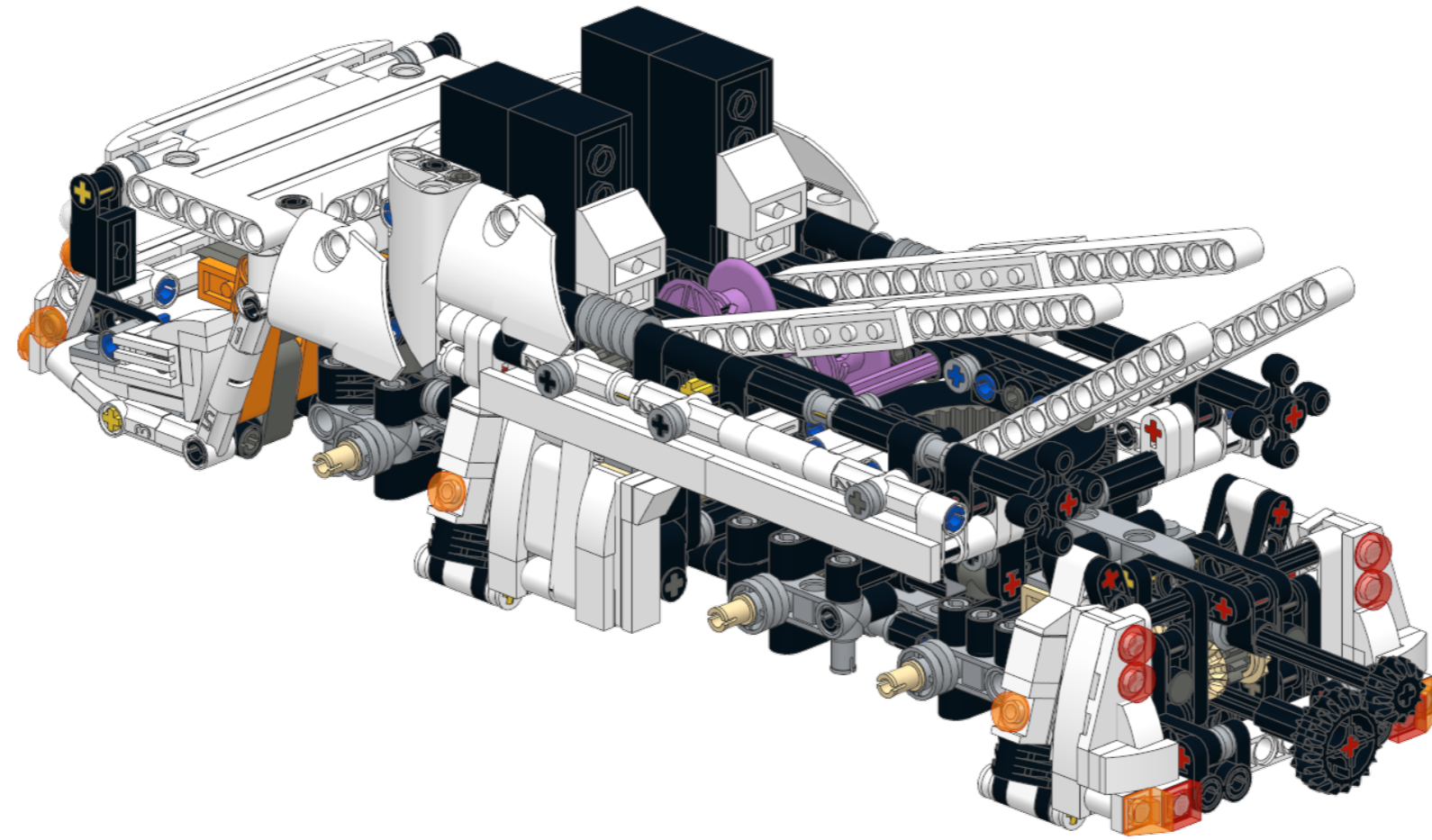
1

2

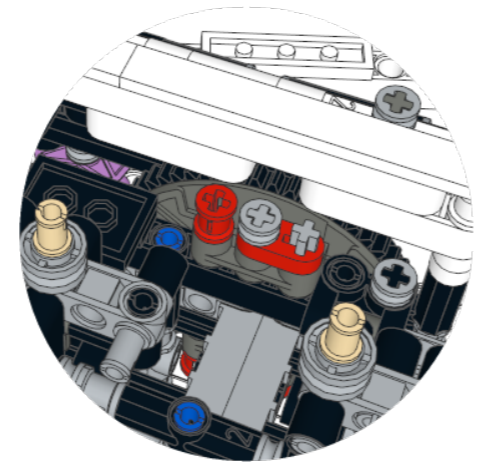
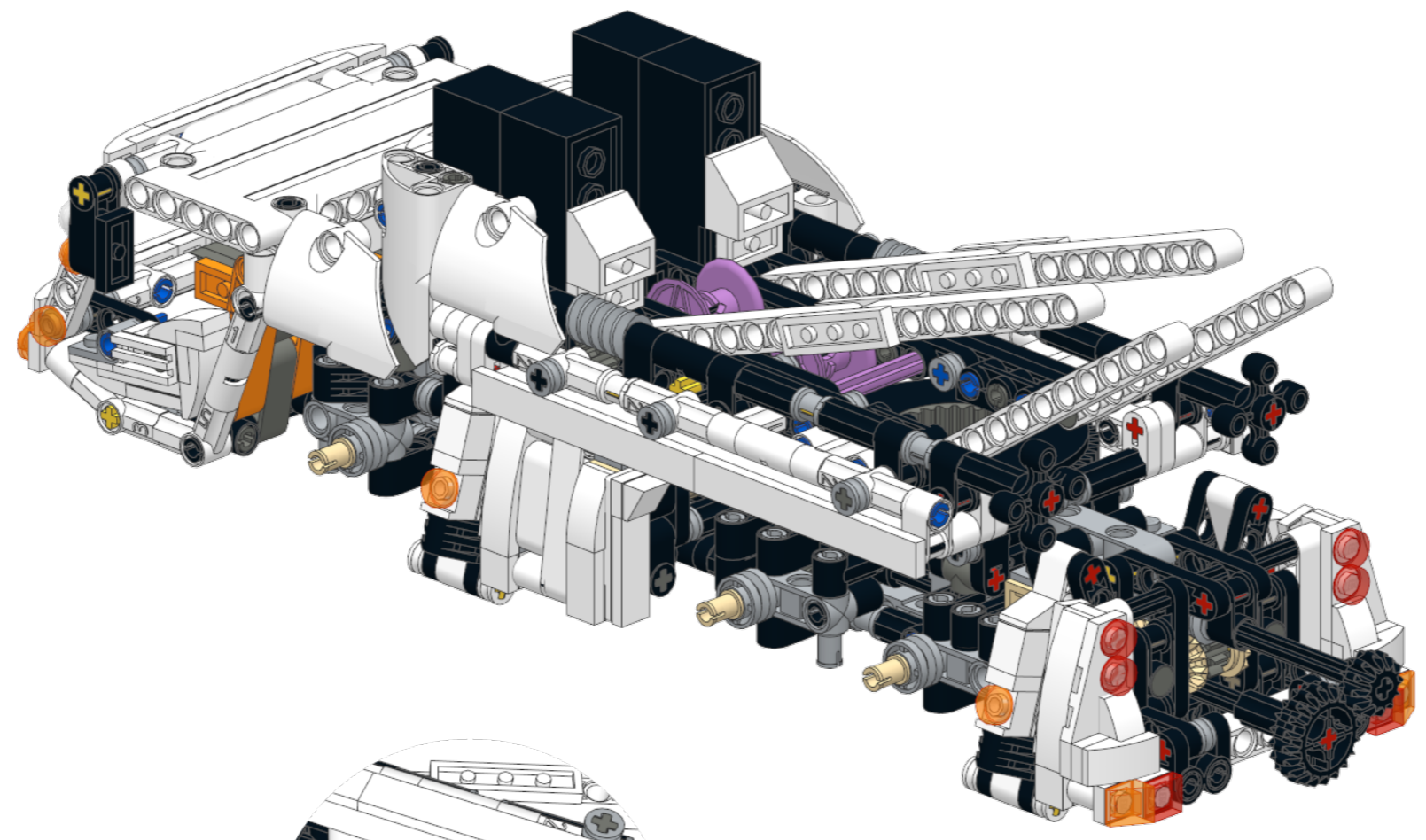
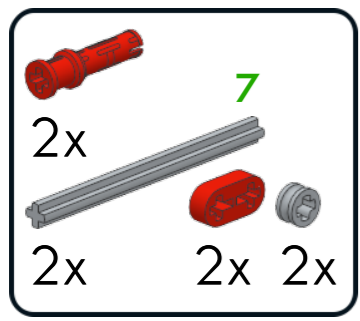
22

- | | |
|----|----|
| 4x | 6x |
| | |










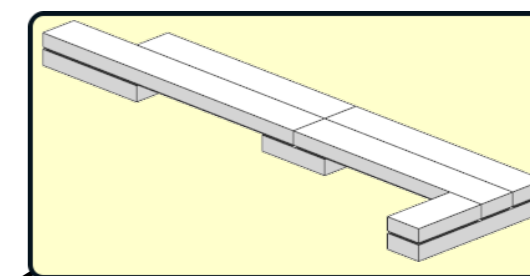
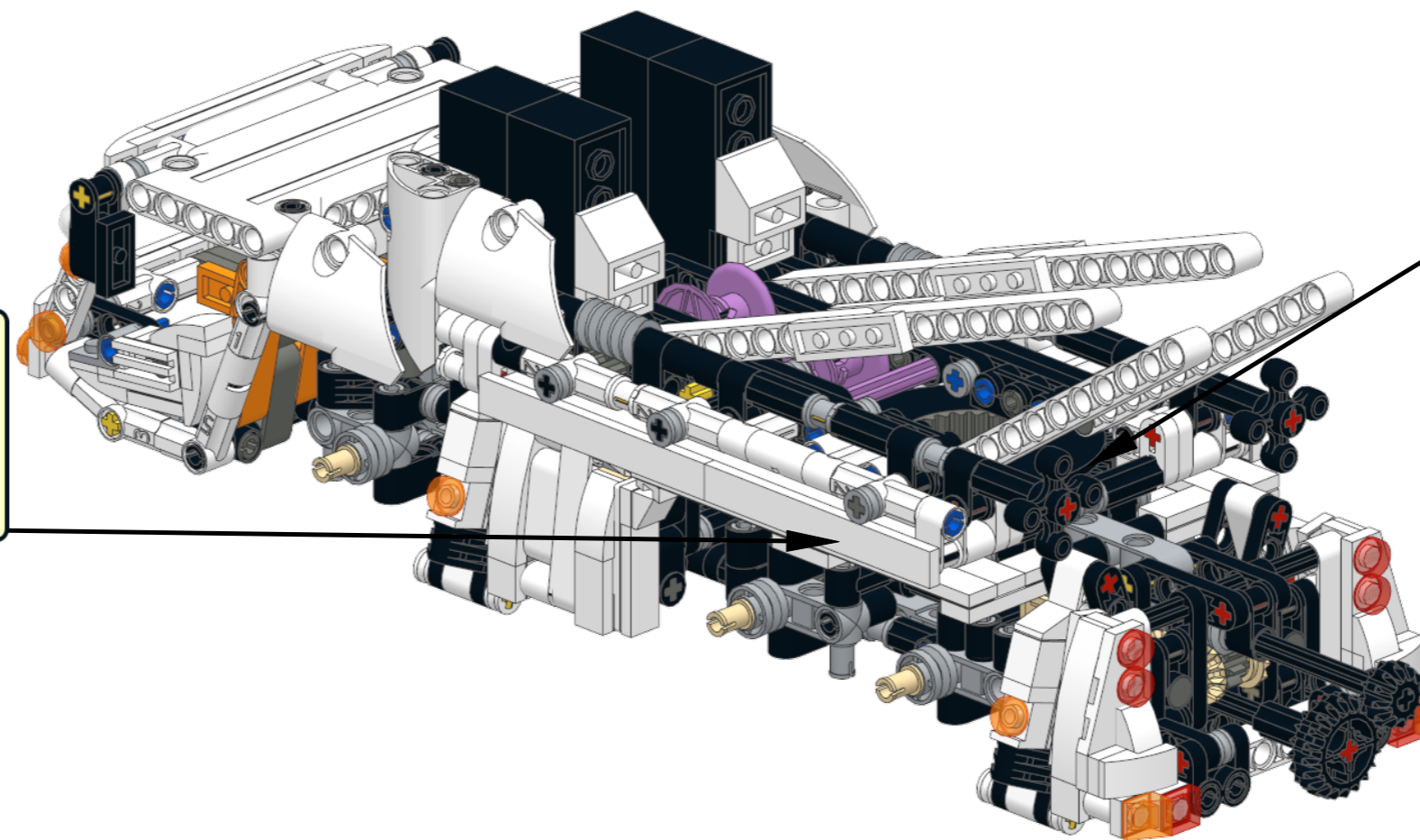
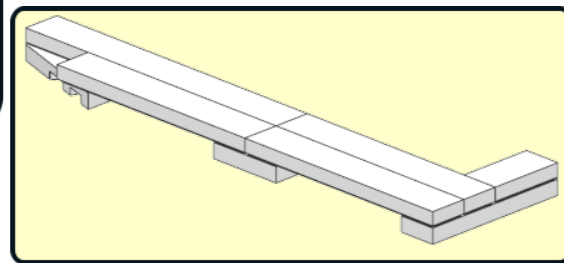


53

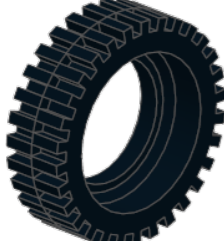
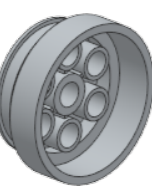


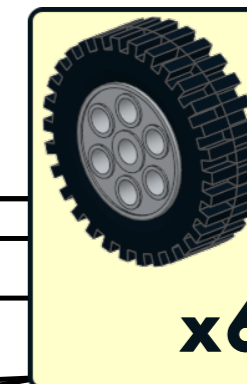
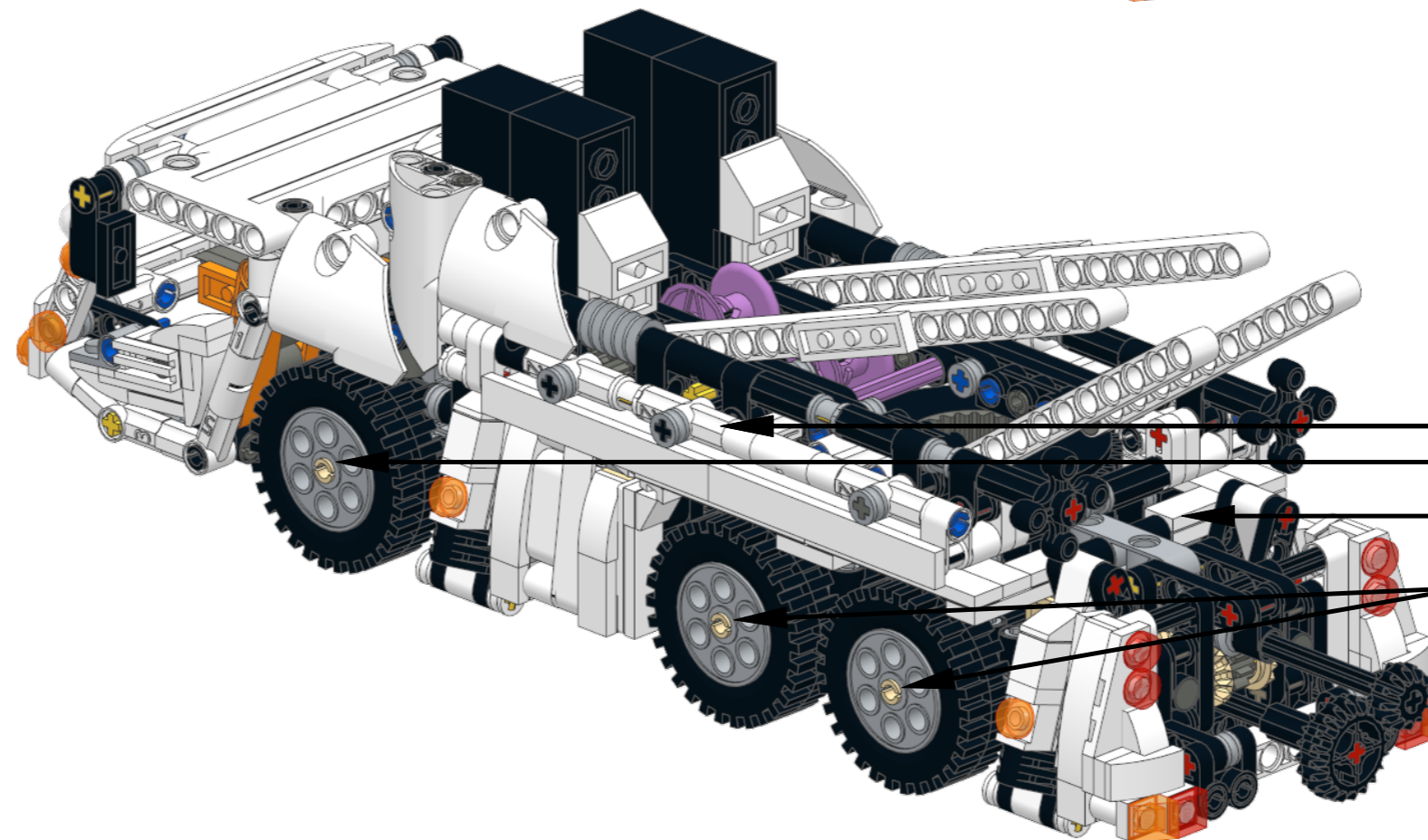
54

- 2x 
- 1x 
- 6x 
- 2x 
- 2x 
- 2x 
- 1x 

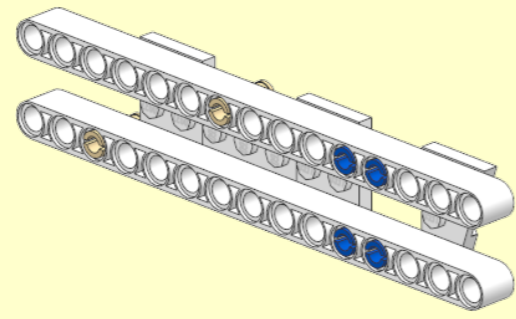
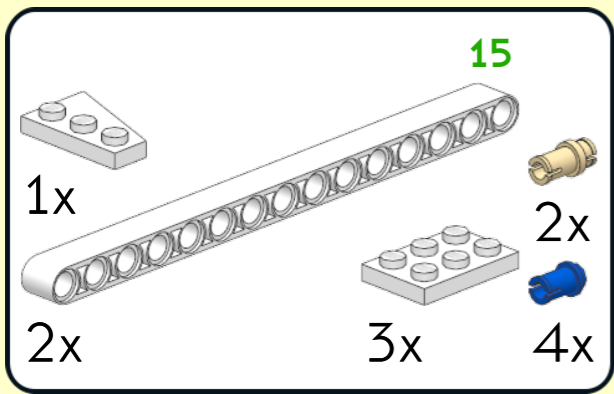


55

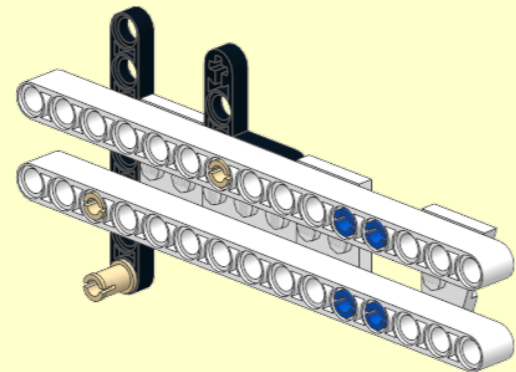
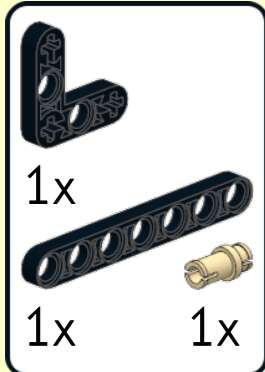
- 6x 
- 6x 



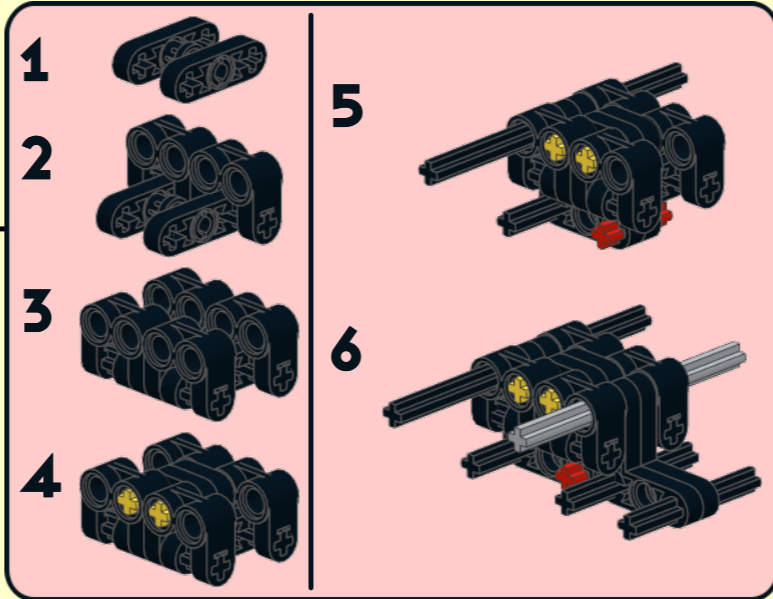
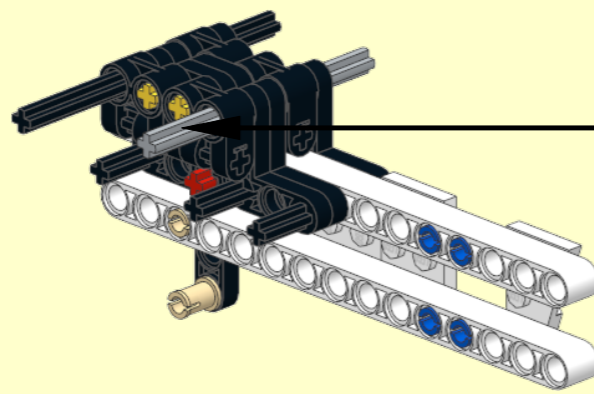
1



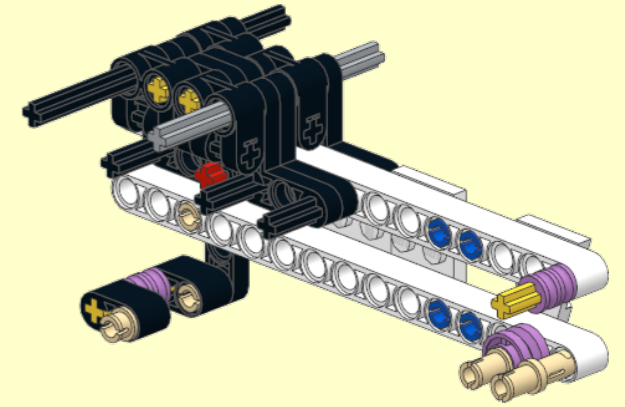
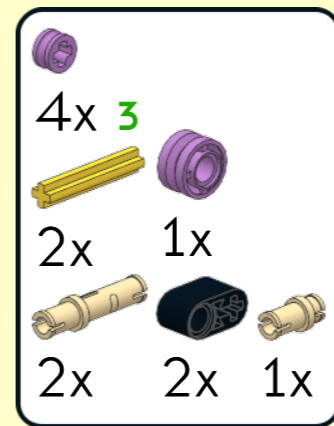
2



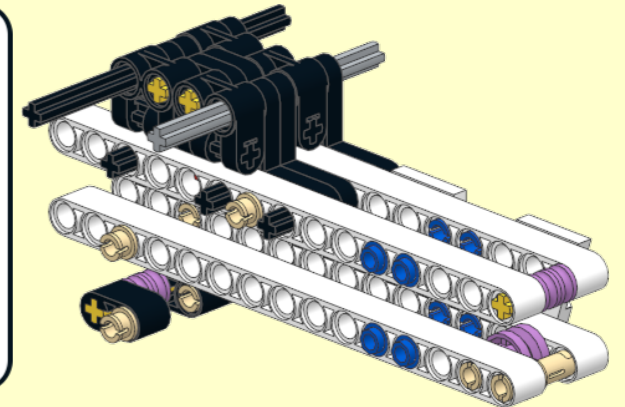
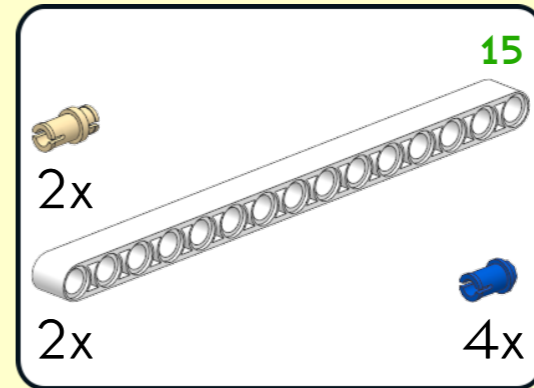
3



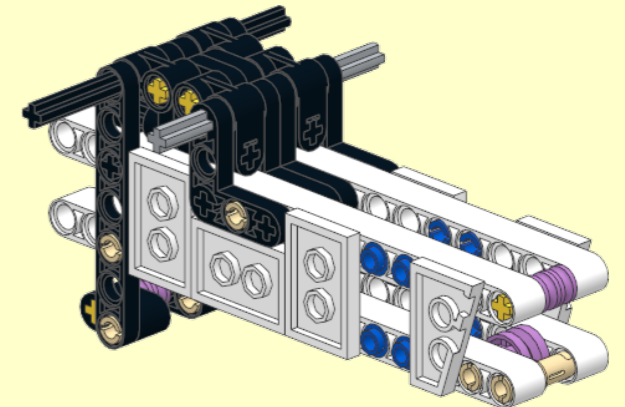
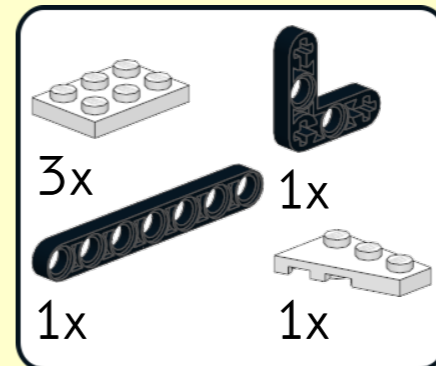
4



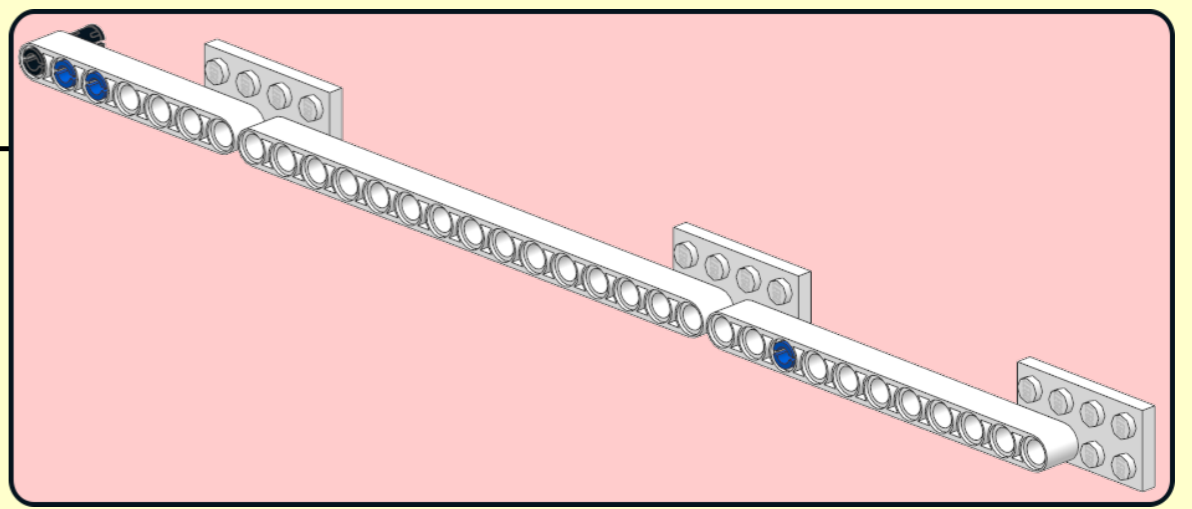
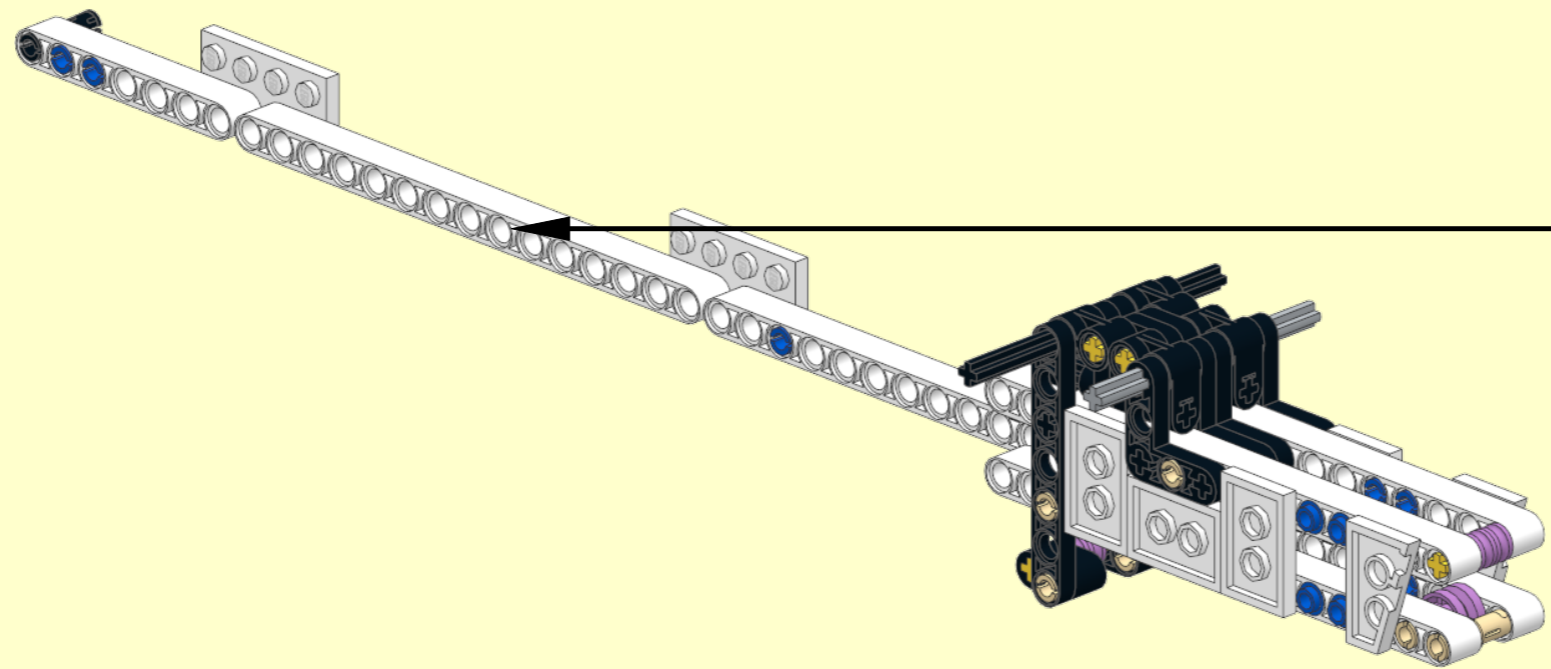
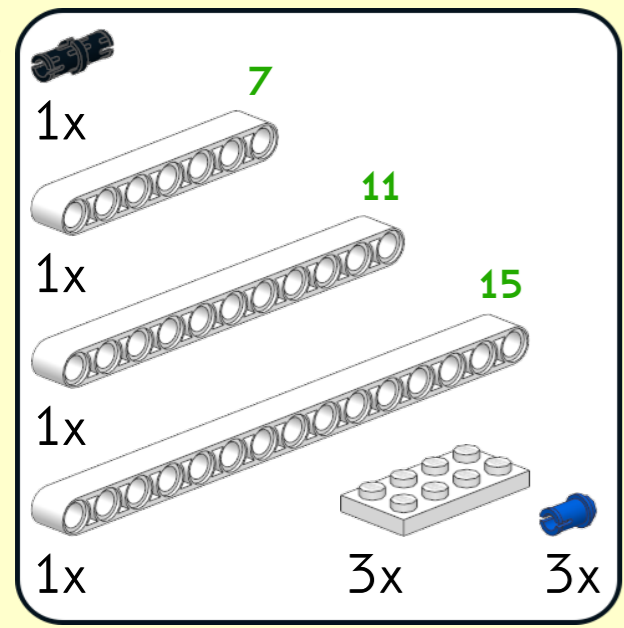
5



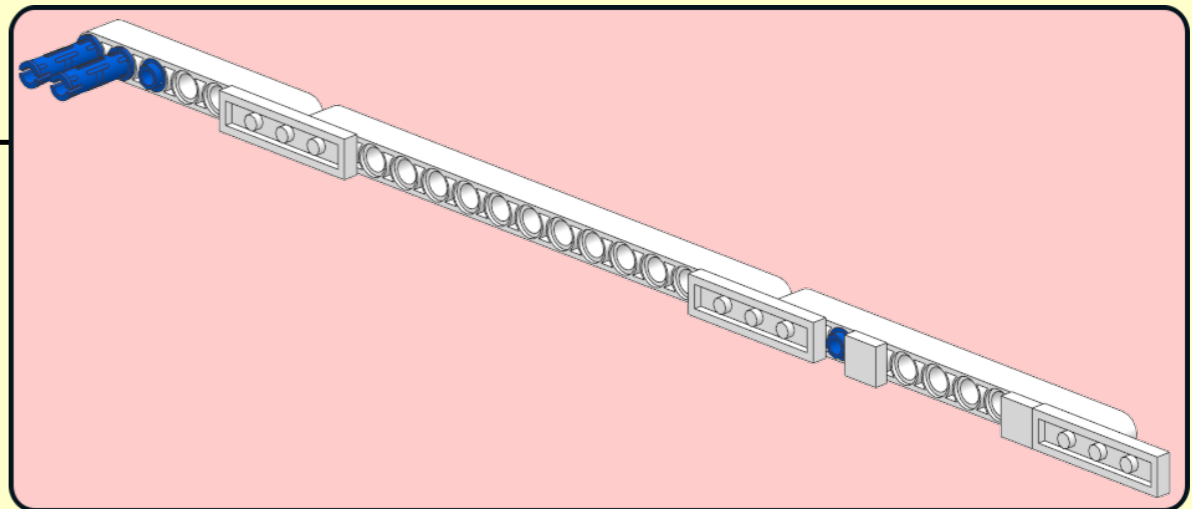
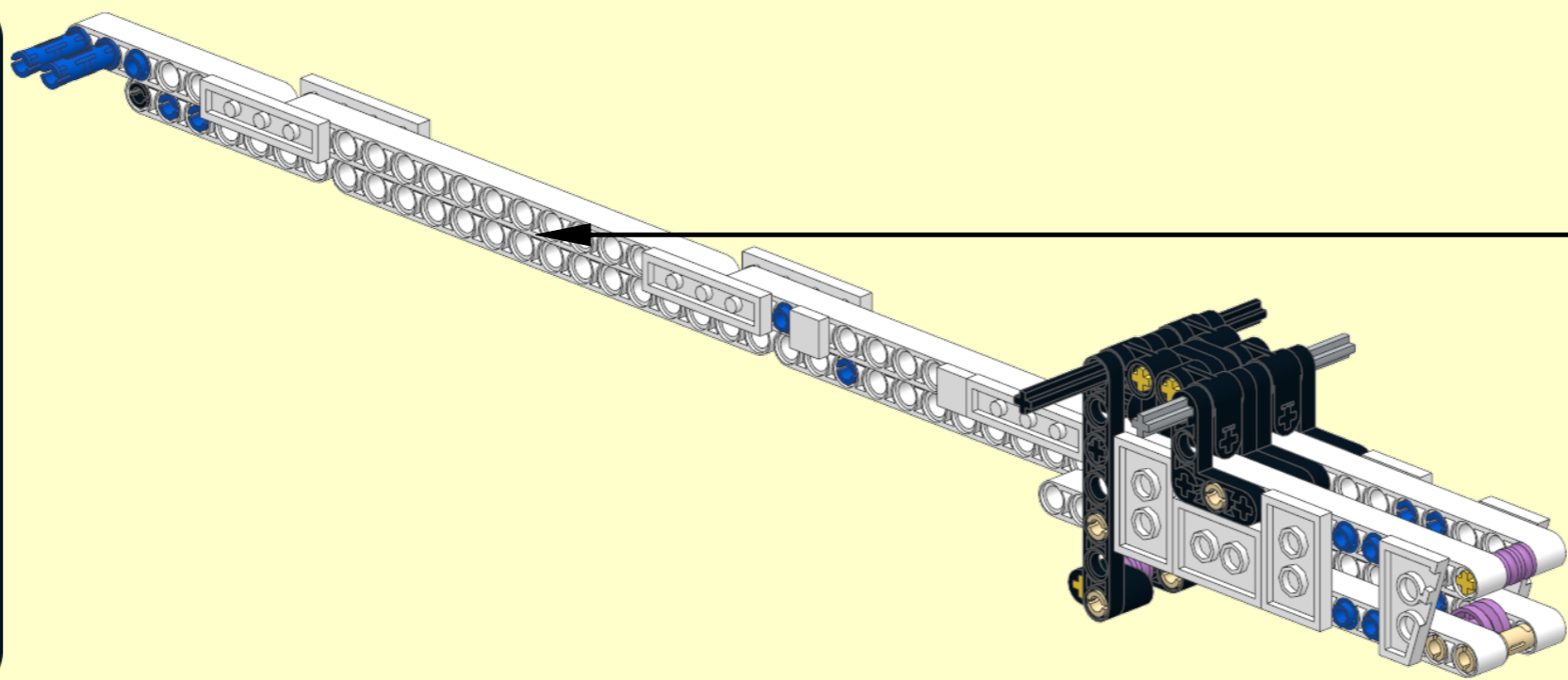
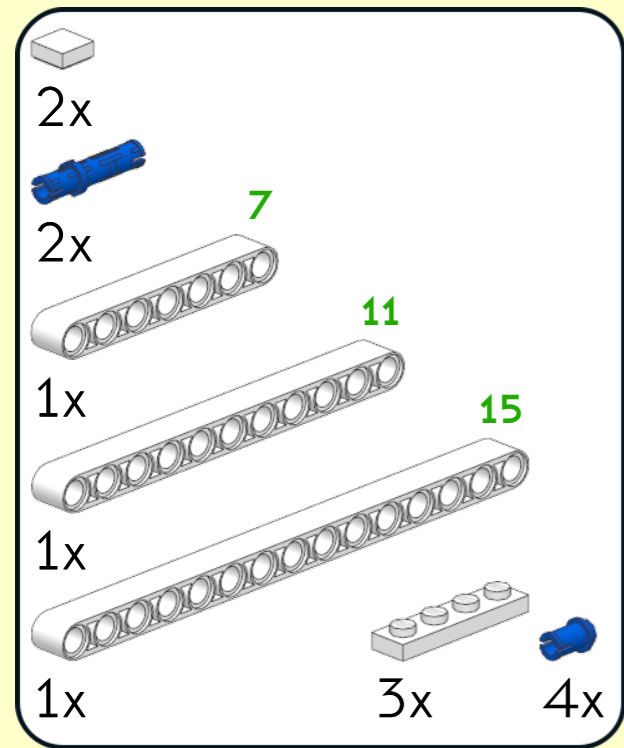
6



7

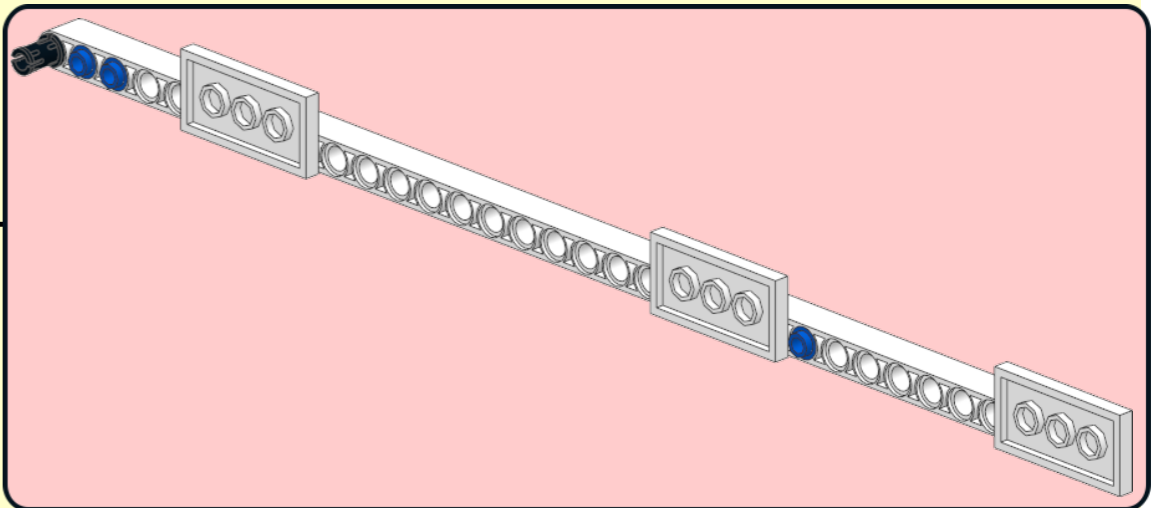
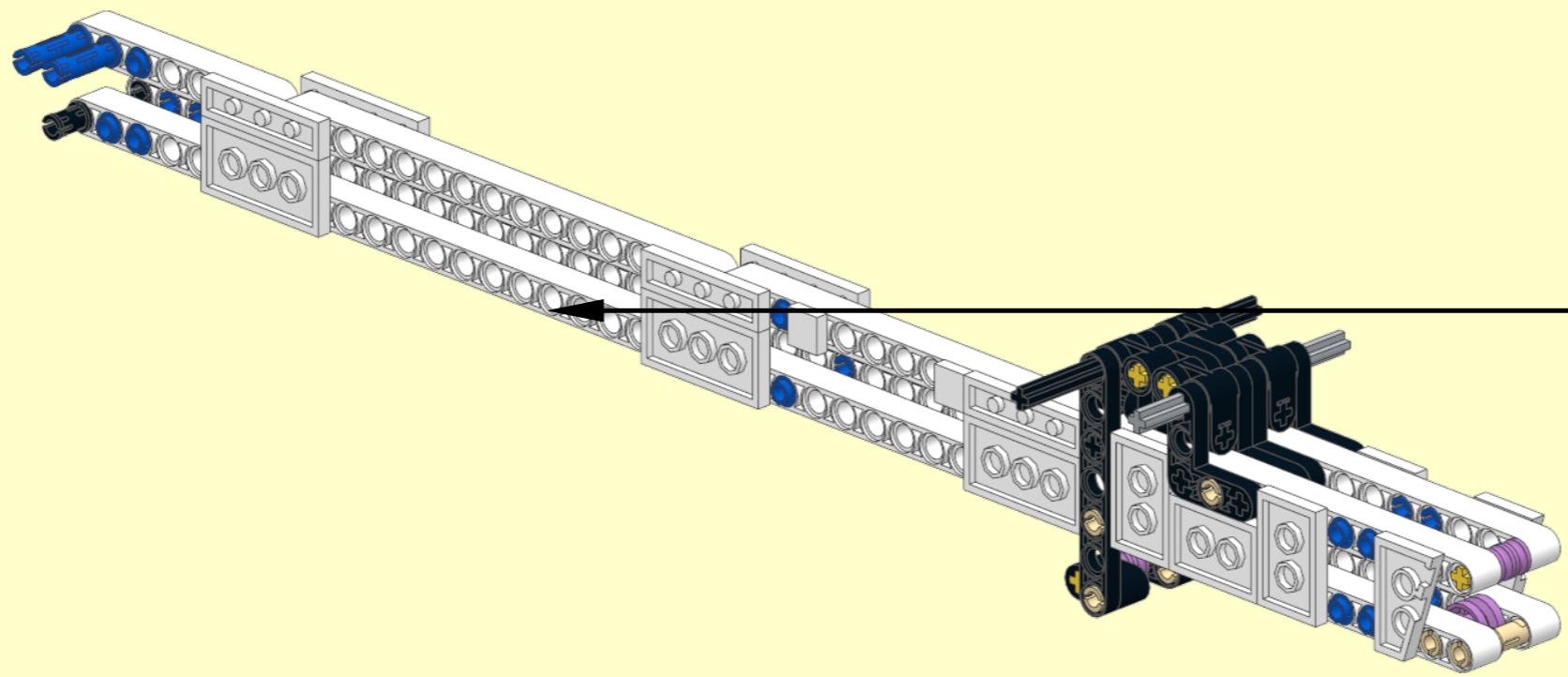


8



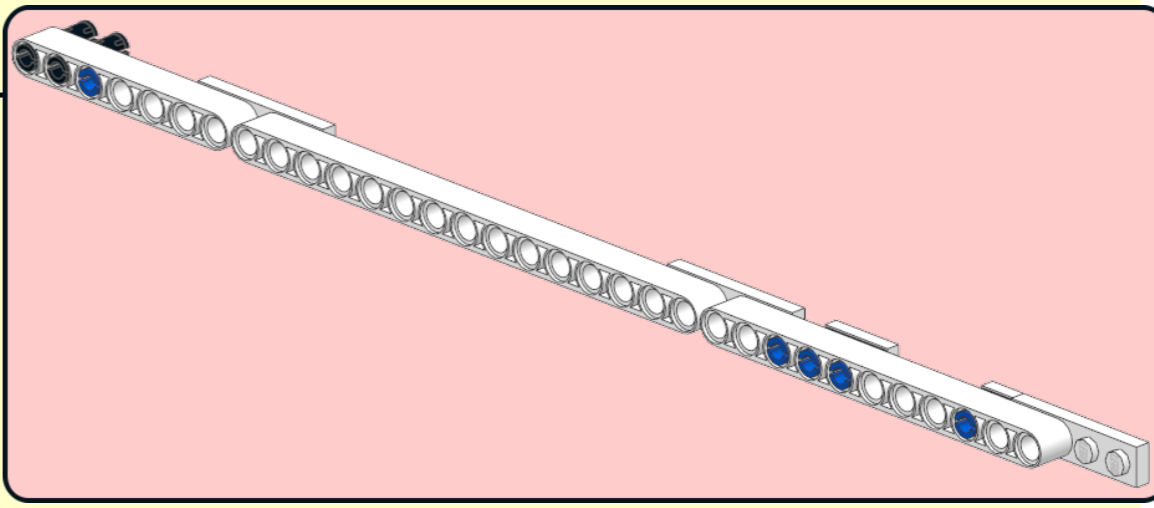
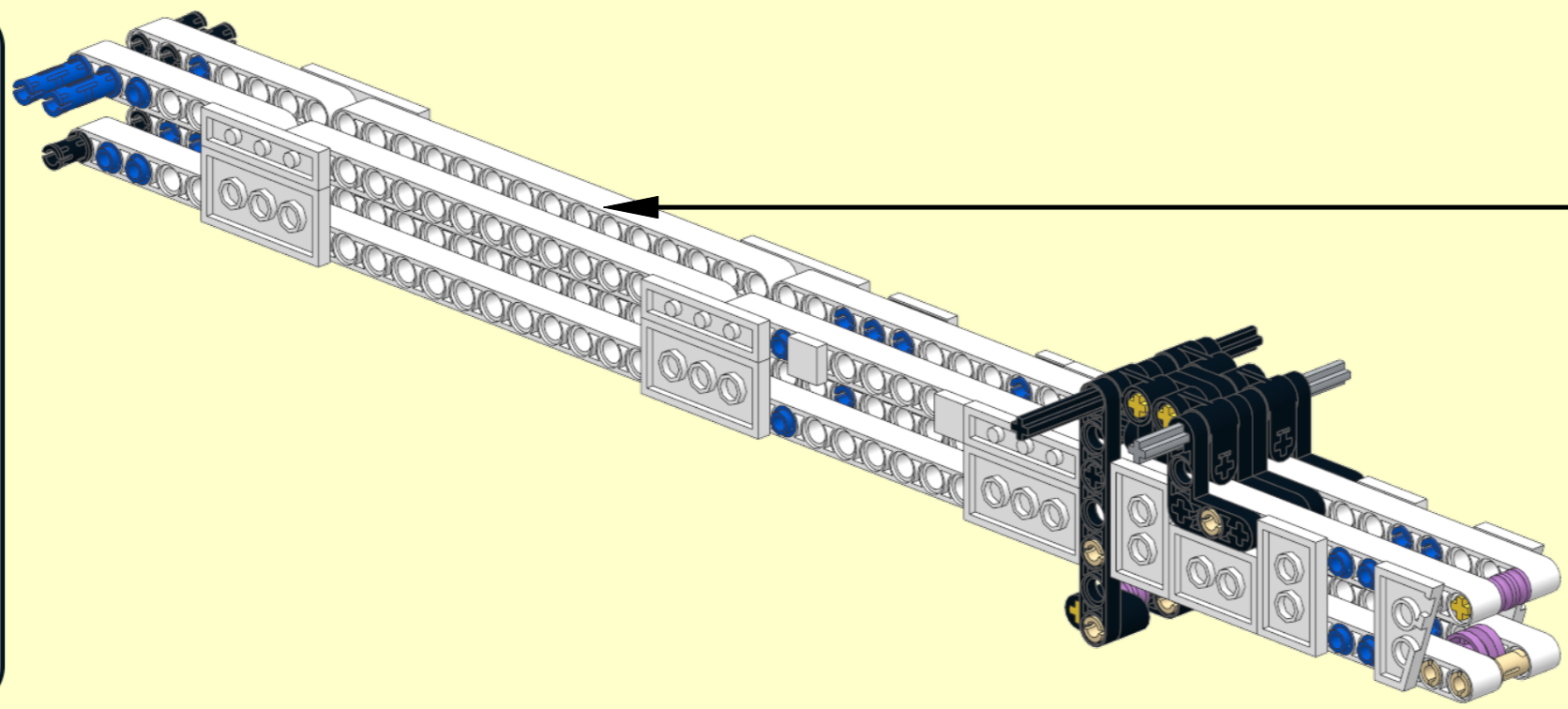
9

- 3x
- 1x
- 1x
- 1x
- 1x
- 1x
- 3x

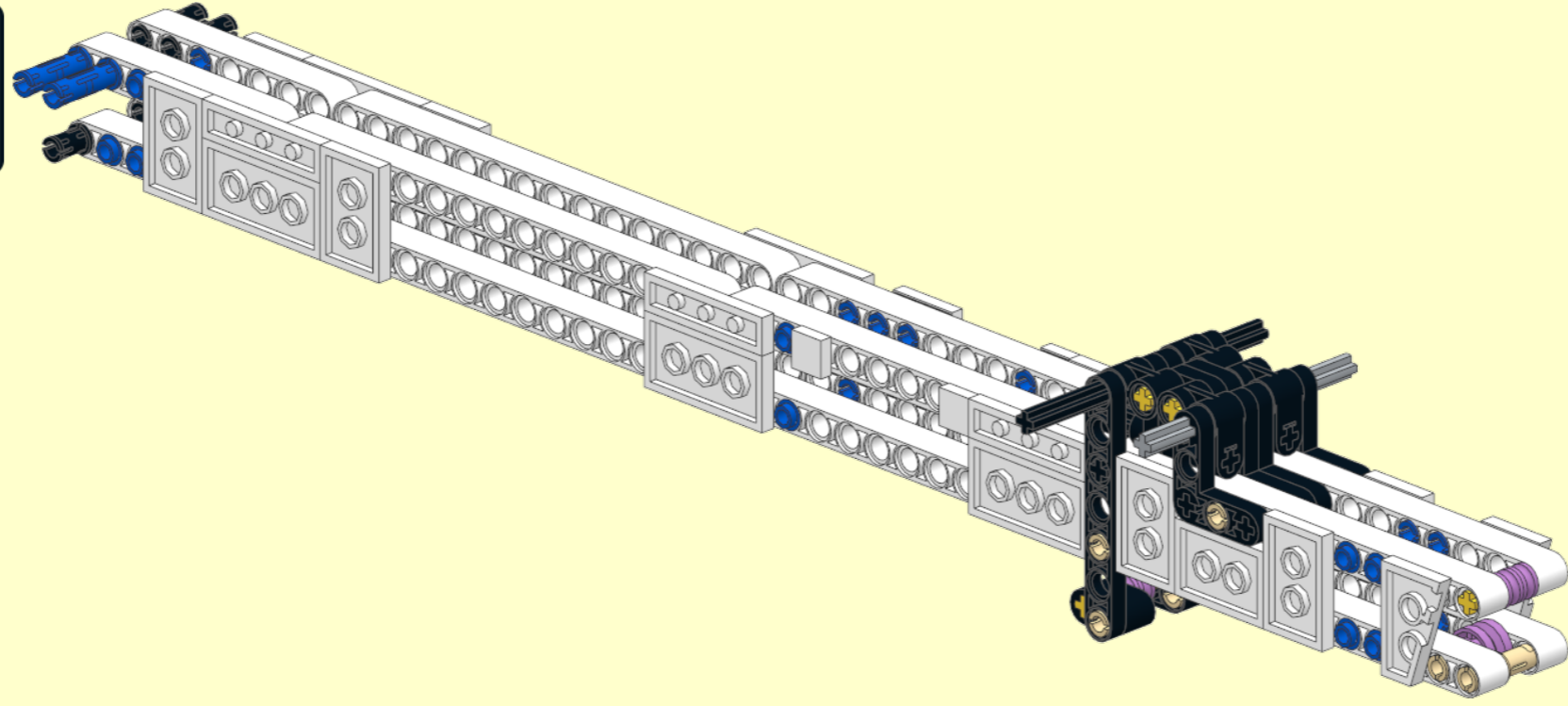
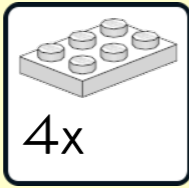


10

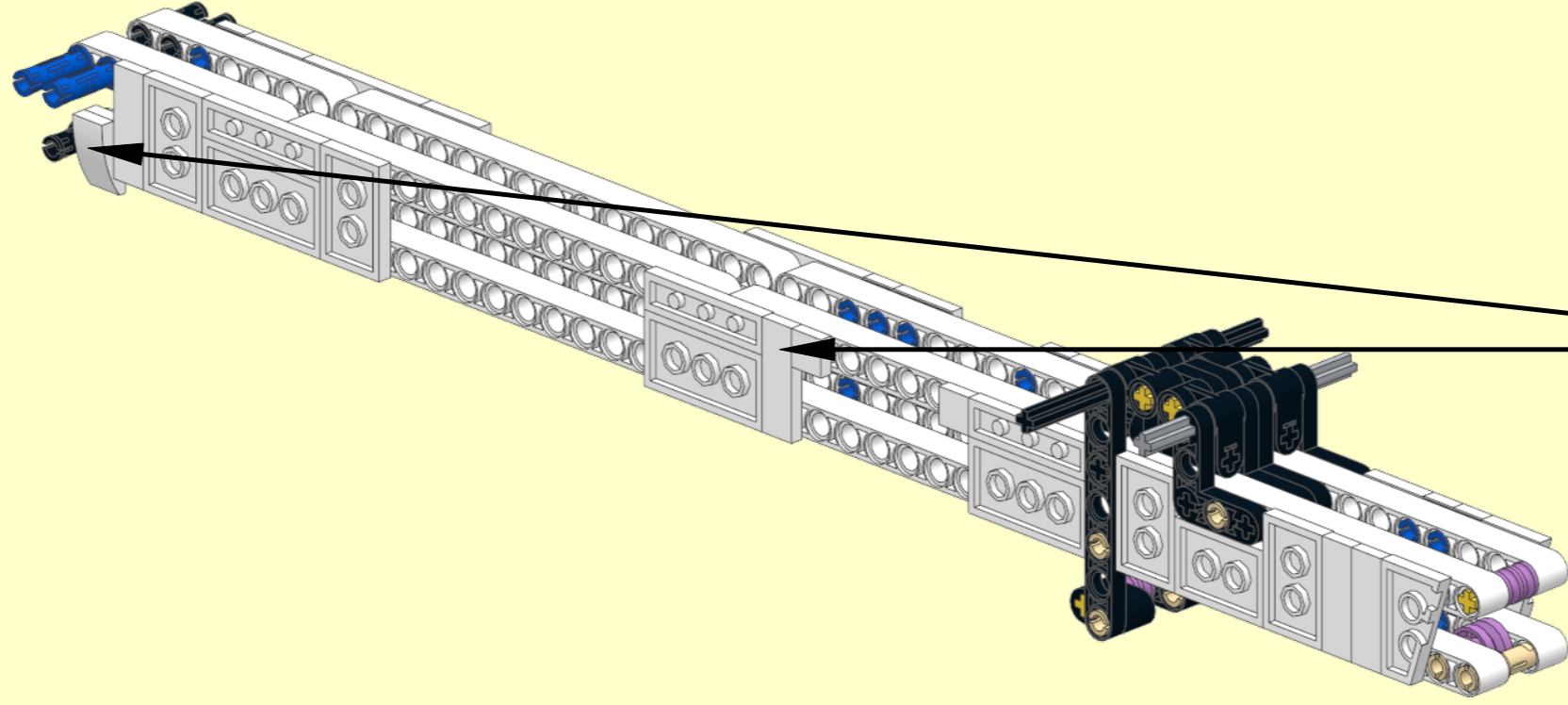
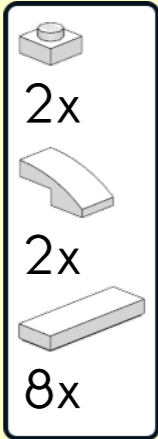
- 2x
- 1x
- 1x
- 1x
- 1x
- 1x
- 1x
- 3x
- 5x



11



12



1

1x 1x 2x

2

2x 1x 1x

3

1x 2x 1x

4

3x 1x 1x 1x

5

4x 2x 1x 1x 2x

6

1x 2x 1x 1x

7

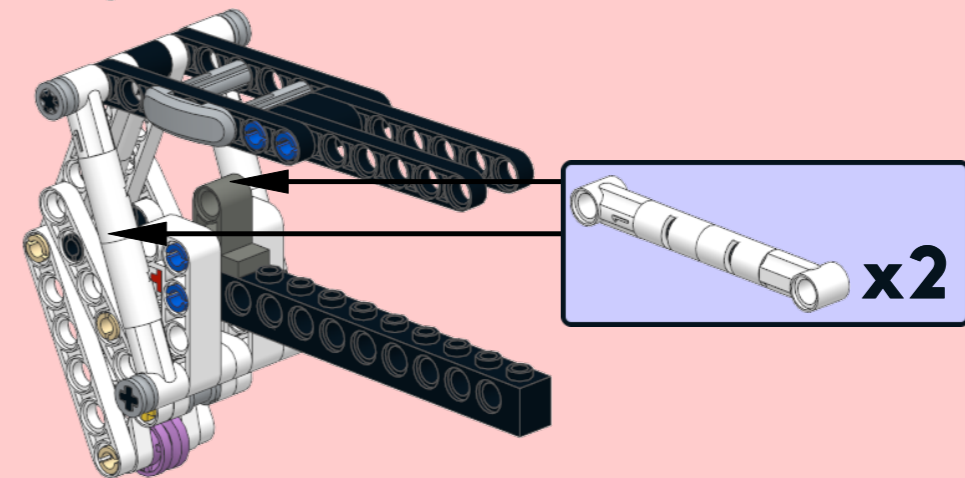
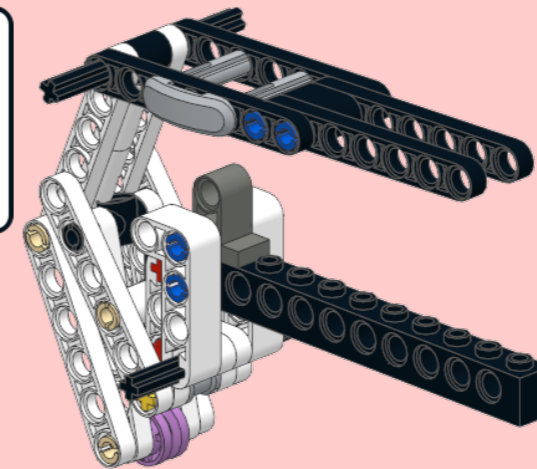
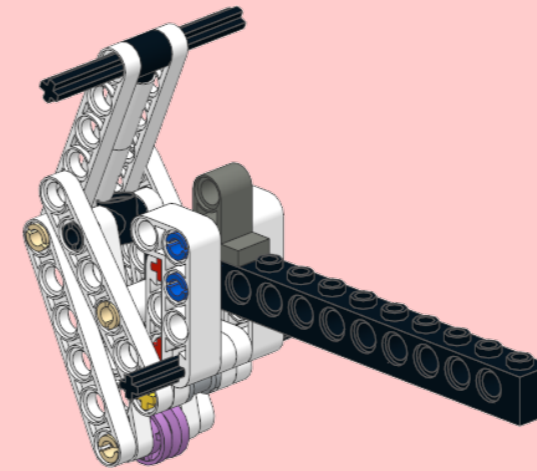
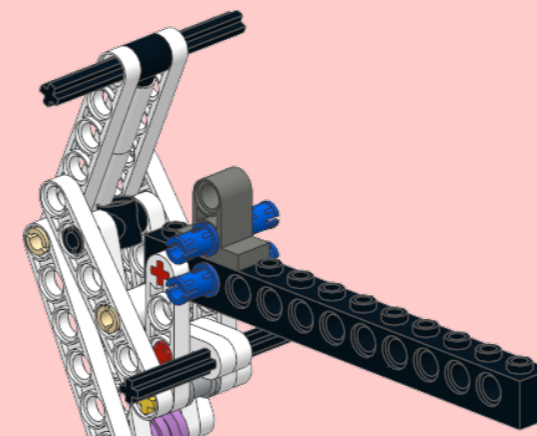
2x

8

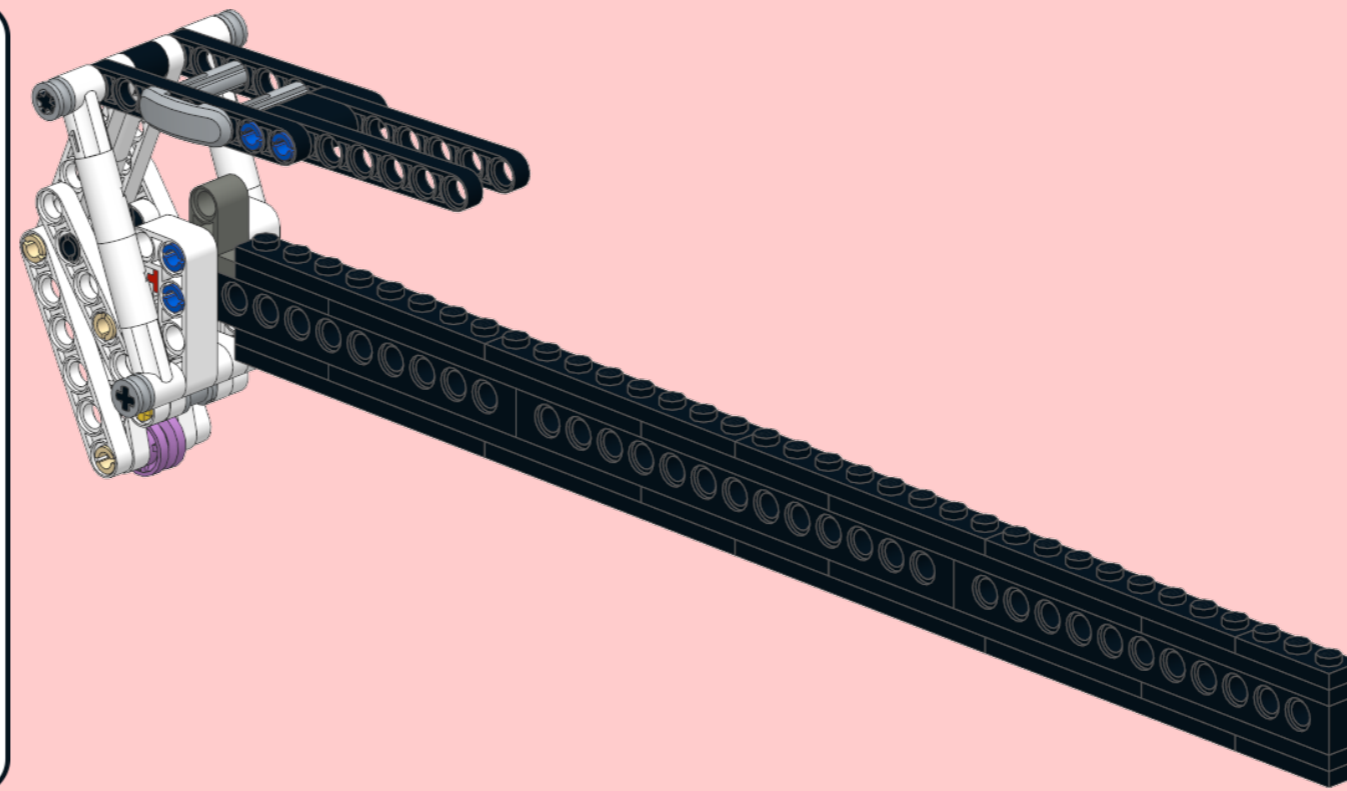
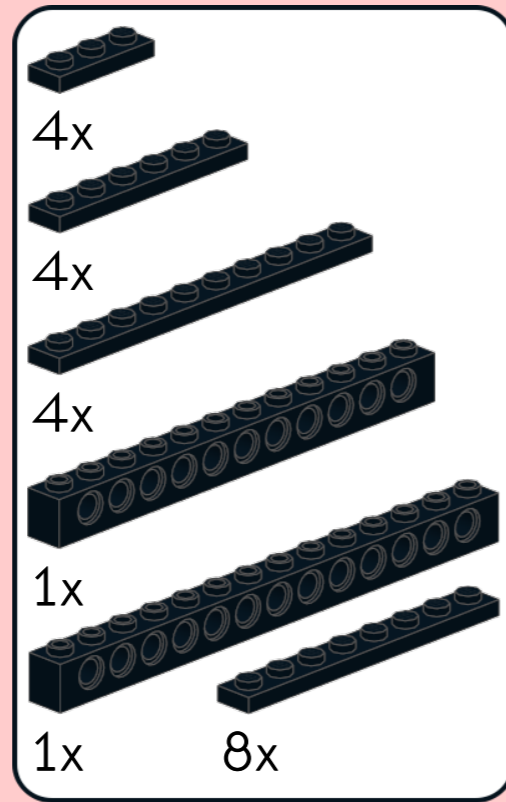
4x 1x 2x 1x

9

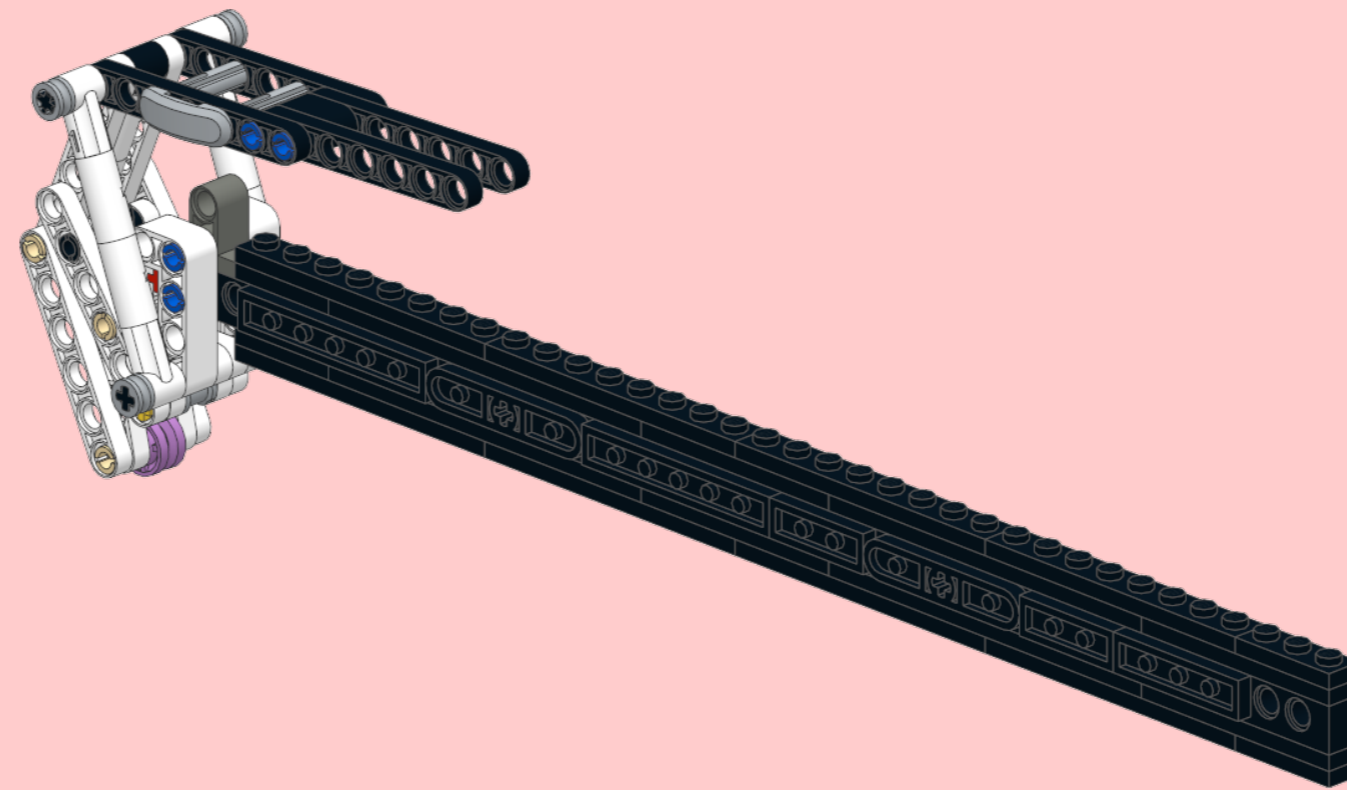
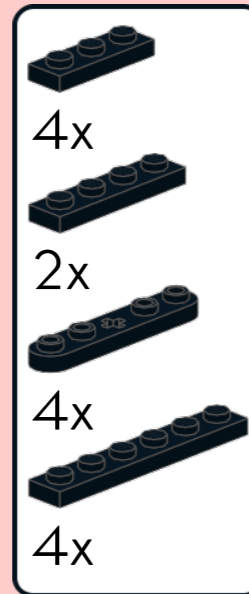
2x 4x 4x 4x



10



11



1

1x ³
 1x ¹⁵
 1x ⁵
 8x
 4x
 2x

2

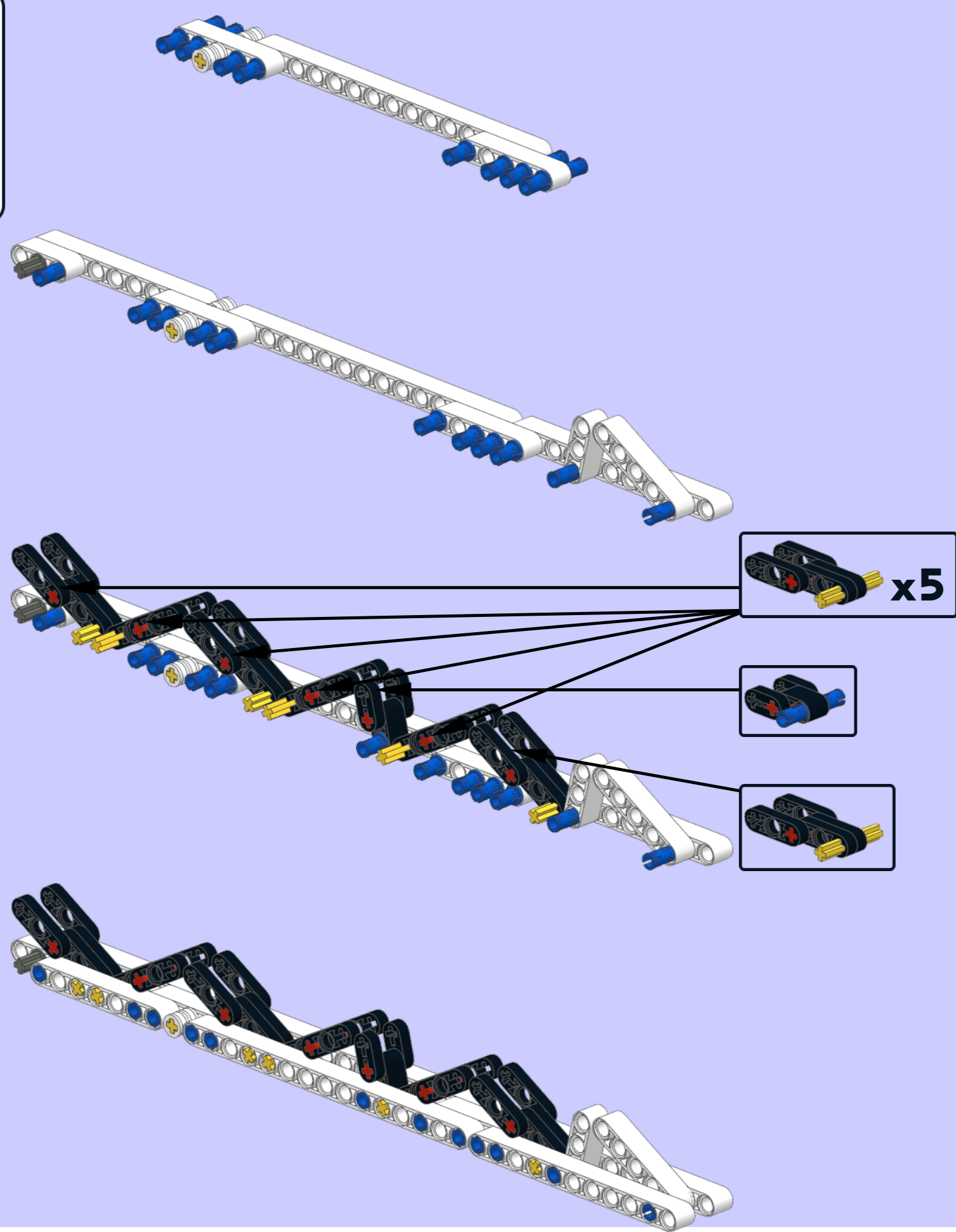
1x ⁹
 1x ¹¹
 1x ³
 1x ⁵
 3x
 2x
 1x

3

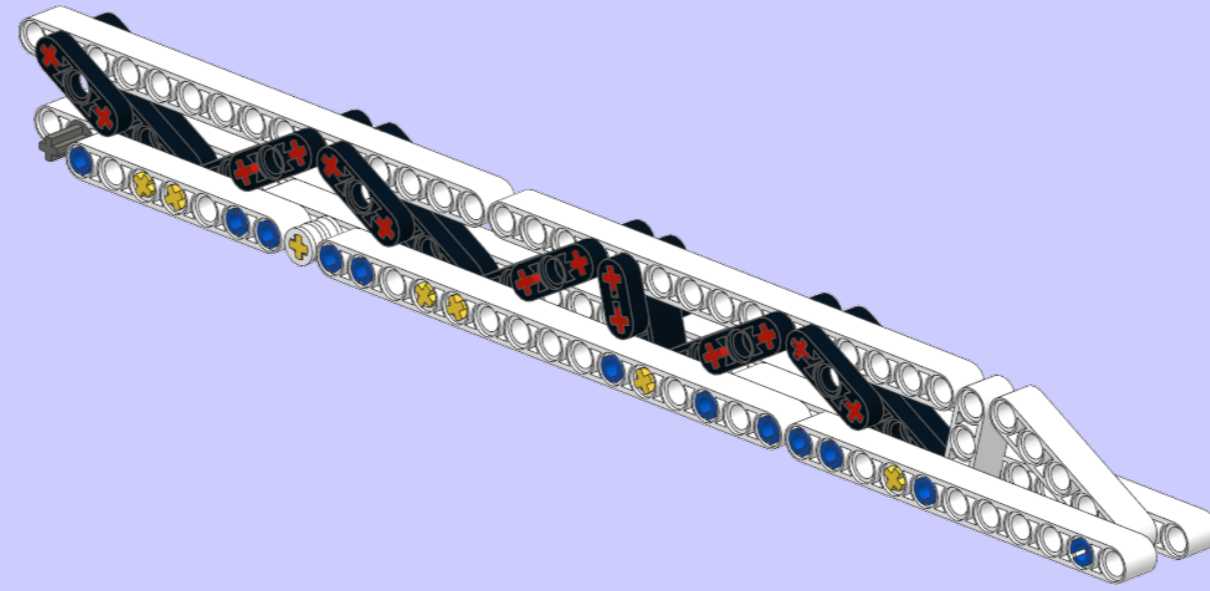
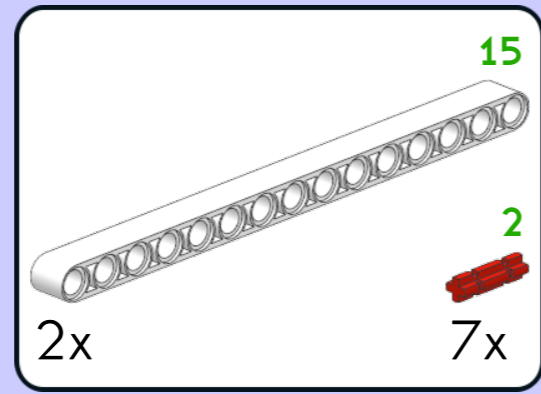
24x ³ 2x
 6x ² 7x
 1x 1x

4

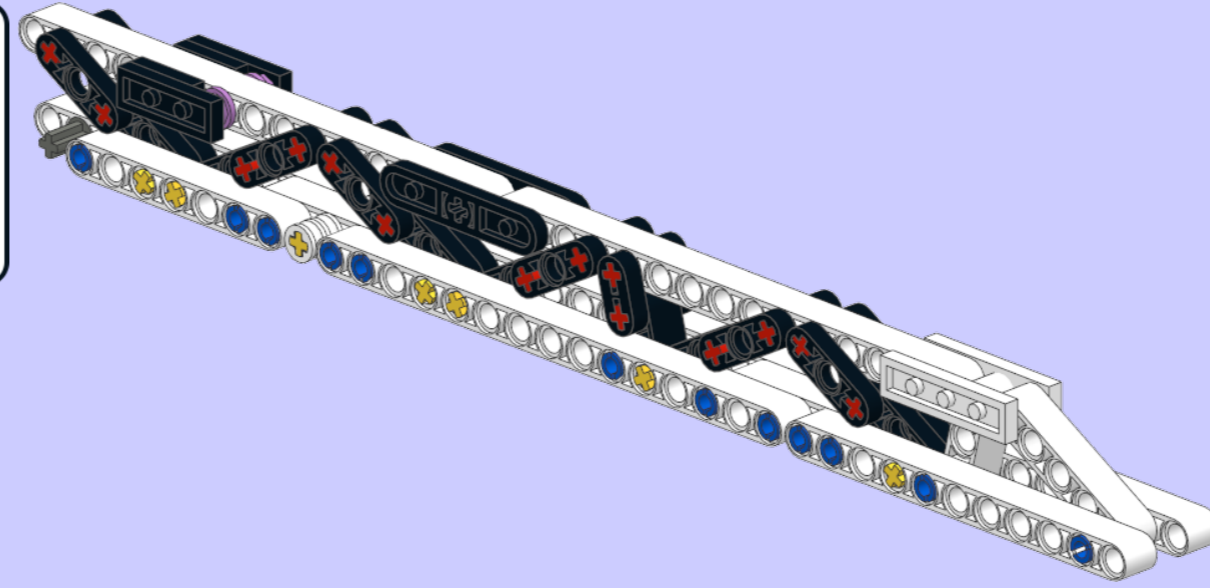
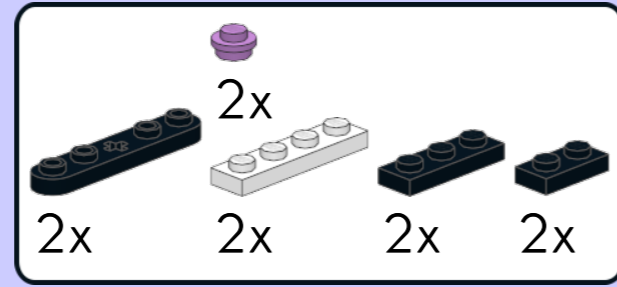
1x ⁷
 1x ¹¹
 1x ¹⁵
 1x



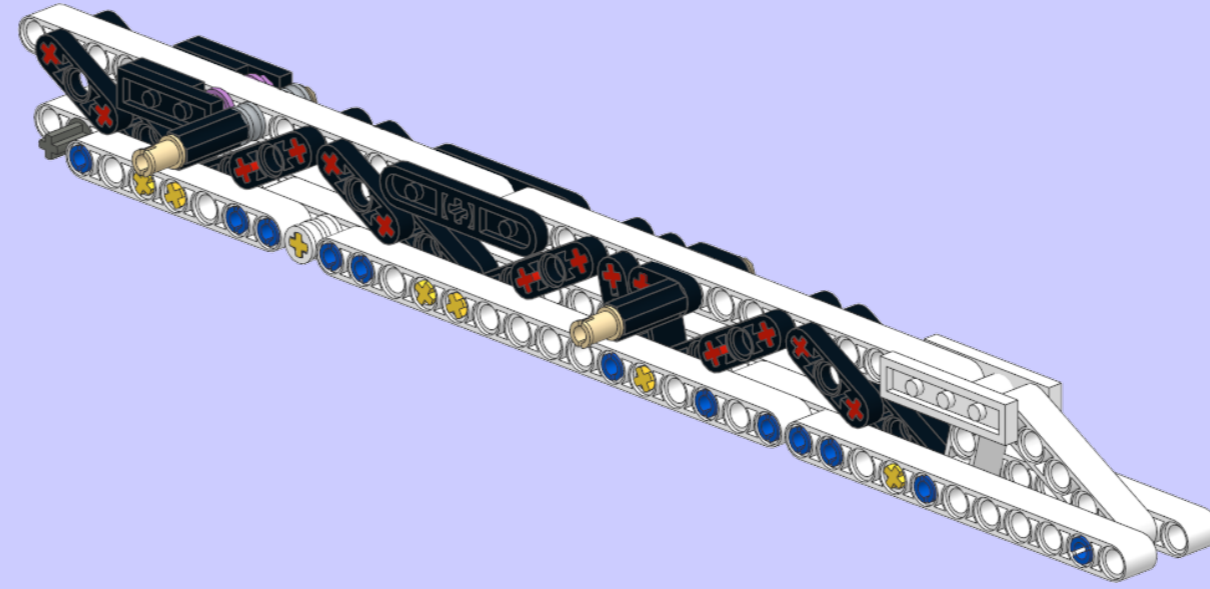
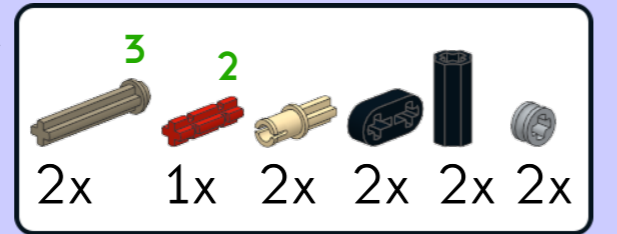
5



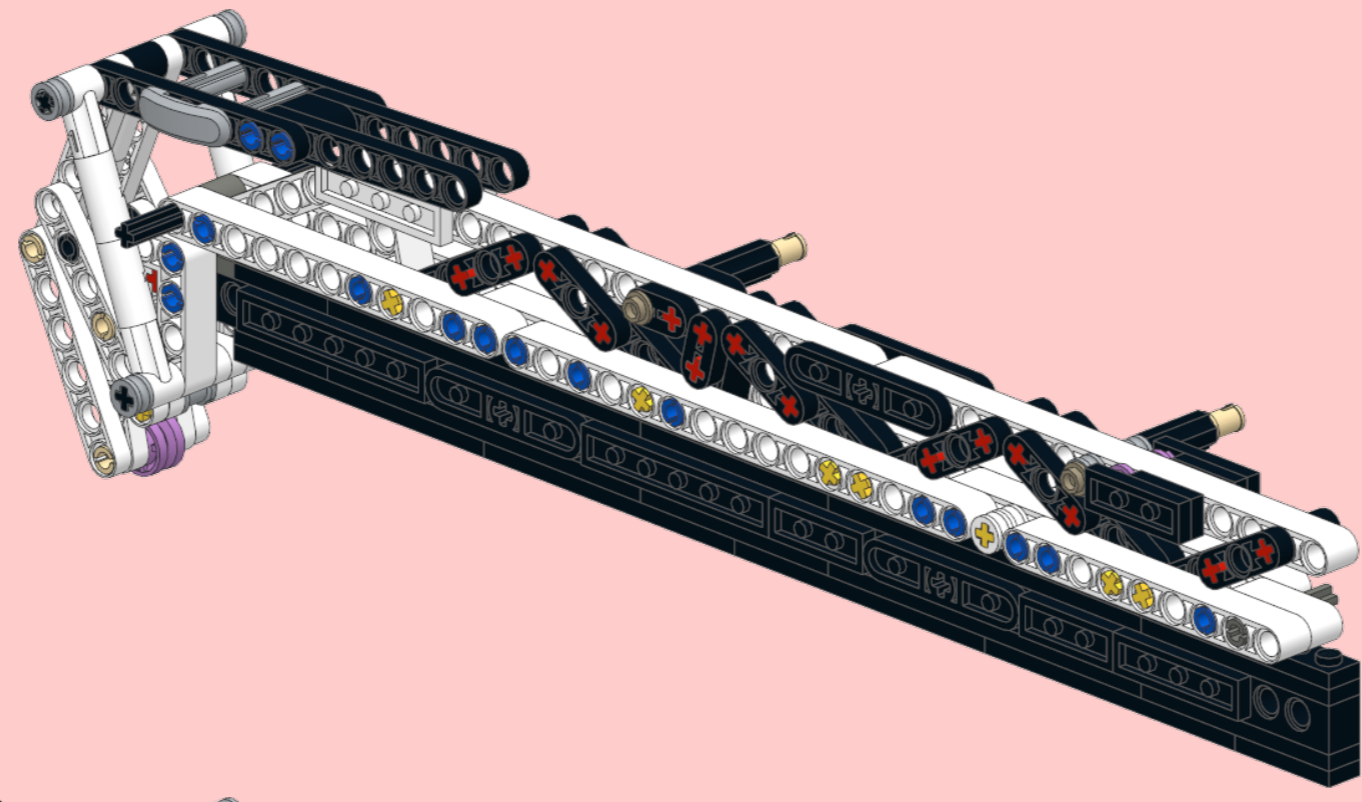
6



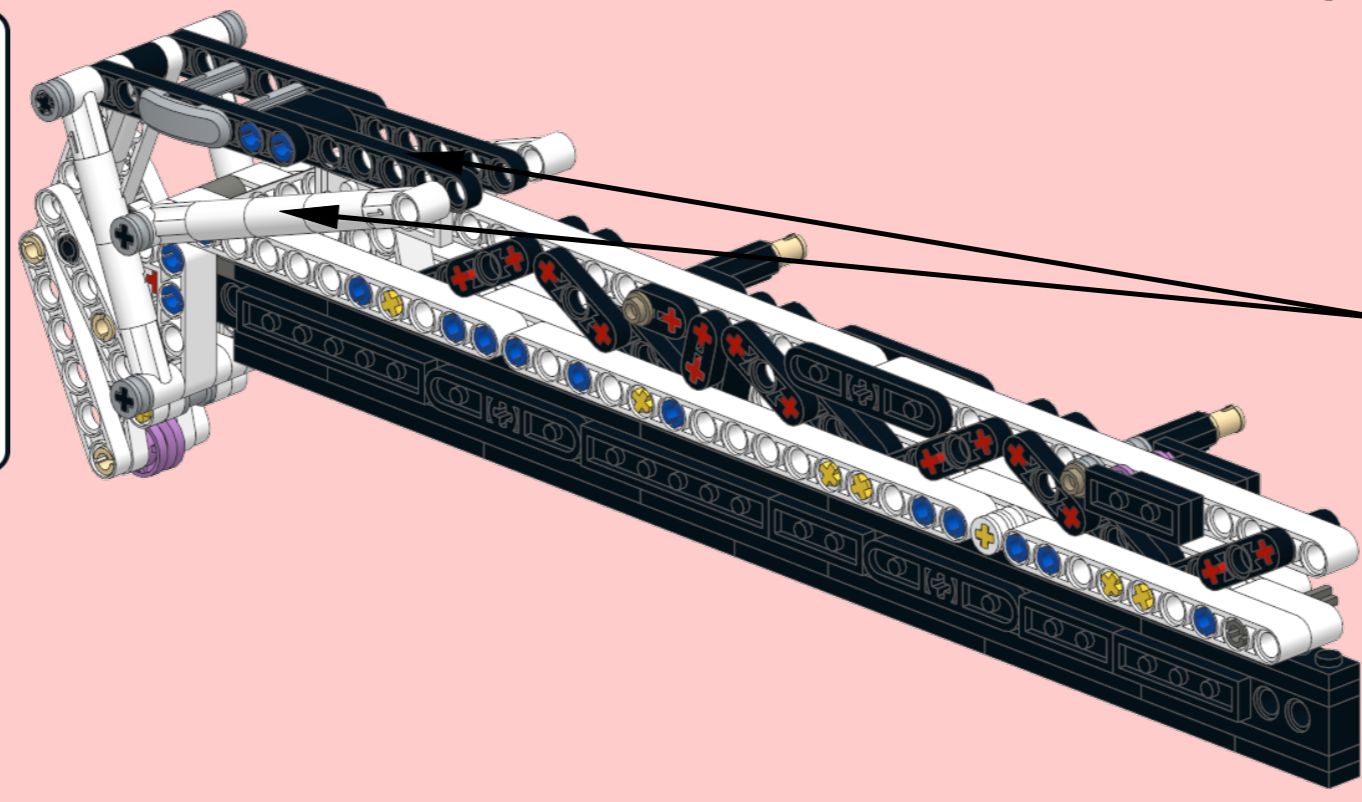
7



12
1x
6




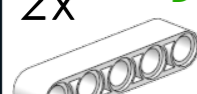


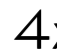


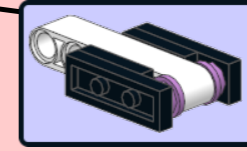
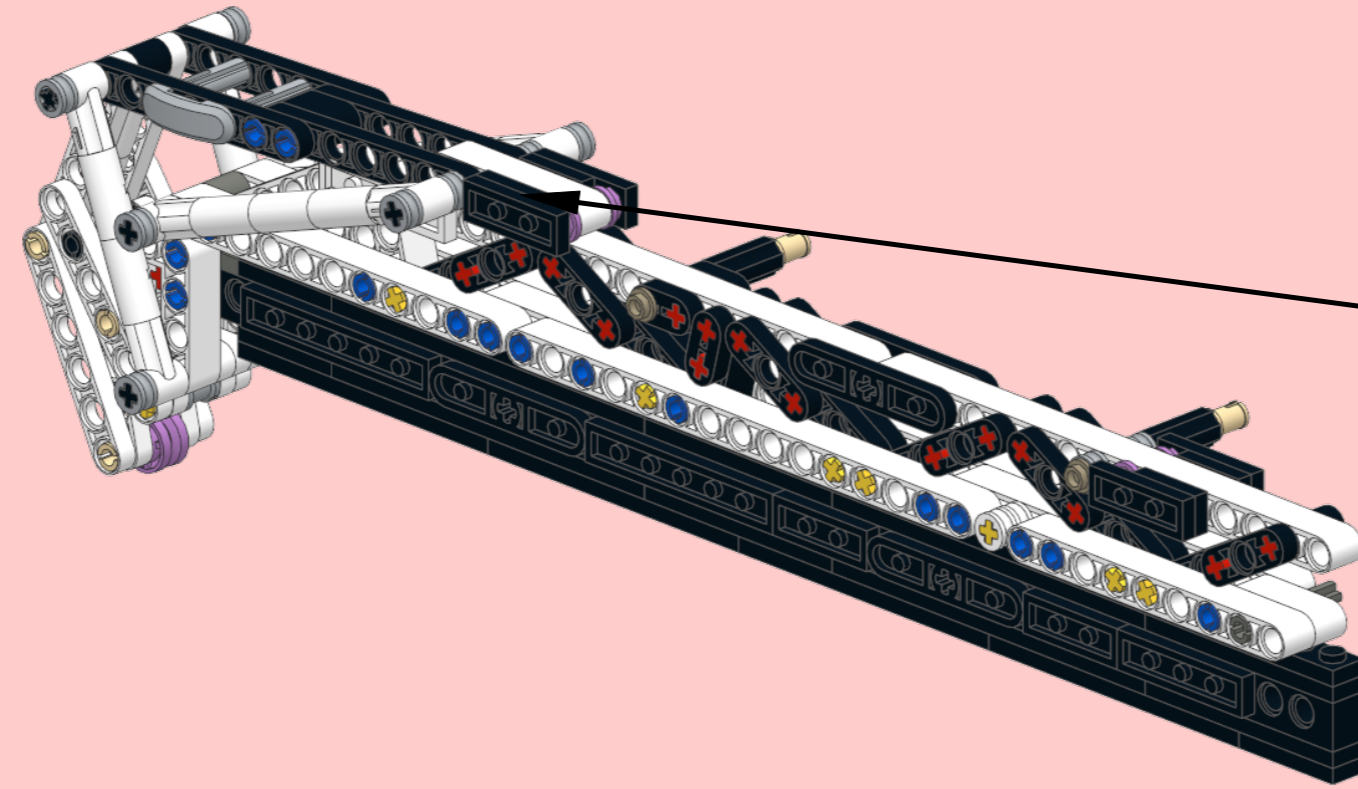
13
2x
4x
2x
8
6x





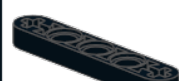



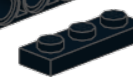




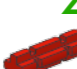
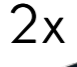


x2

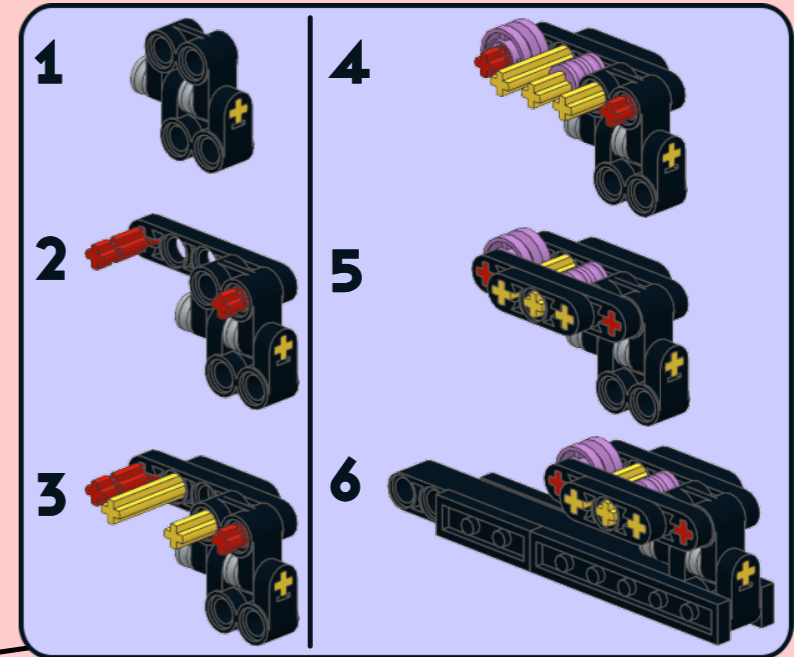
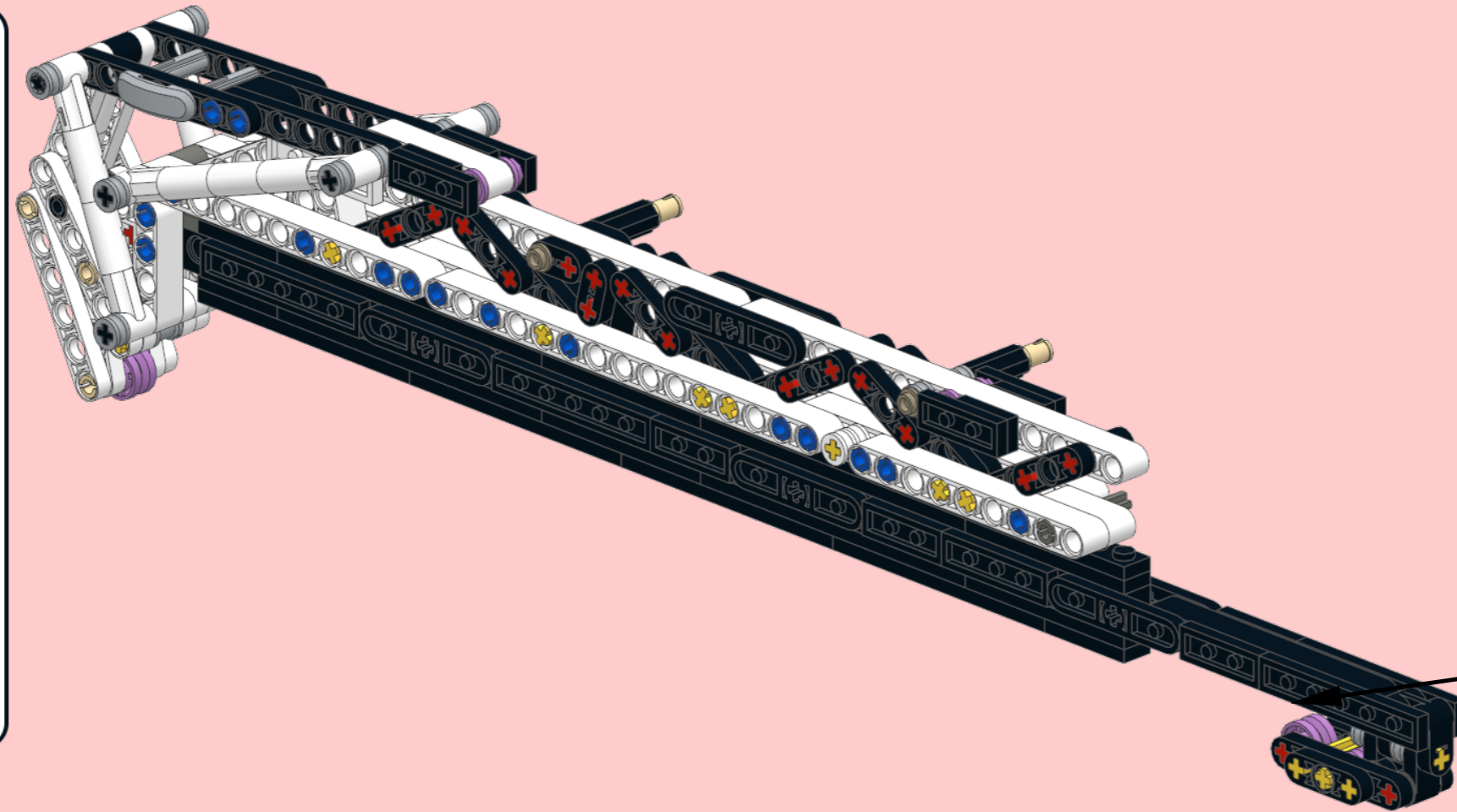
14

-  2x
-  2x
-  2x
-  2x 5
-  1x 6
-  1x
-  4x

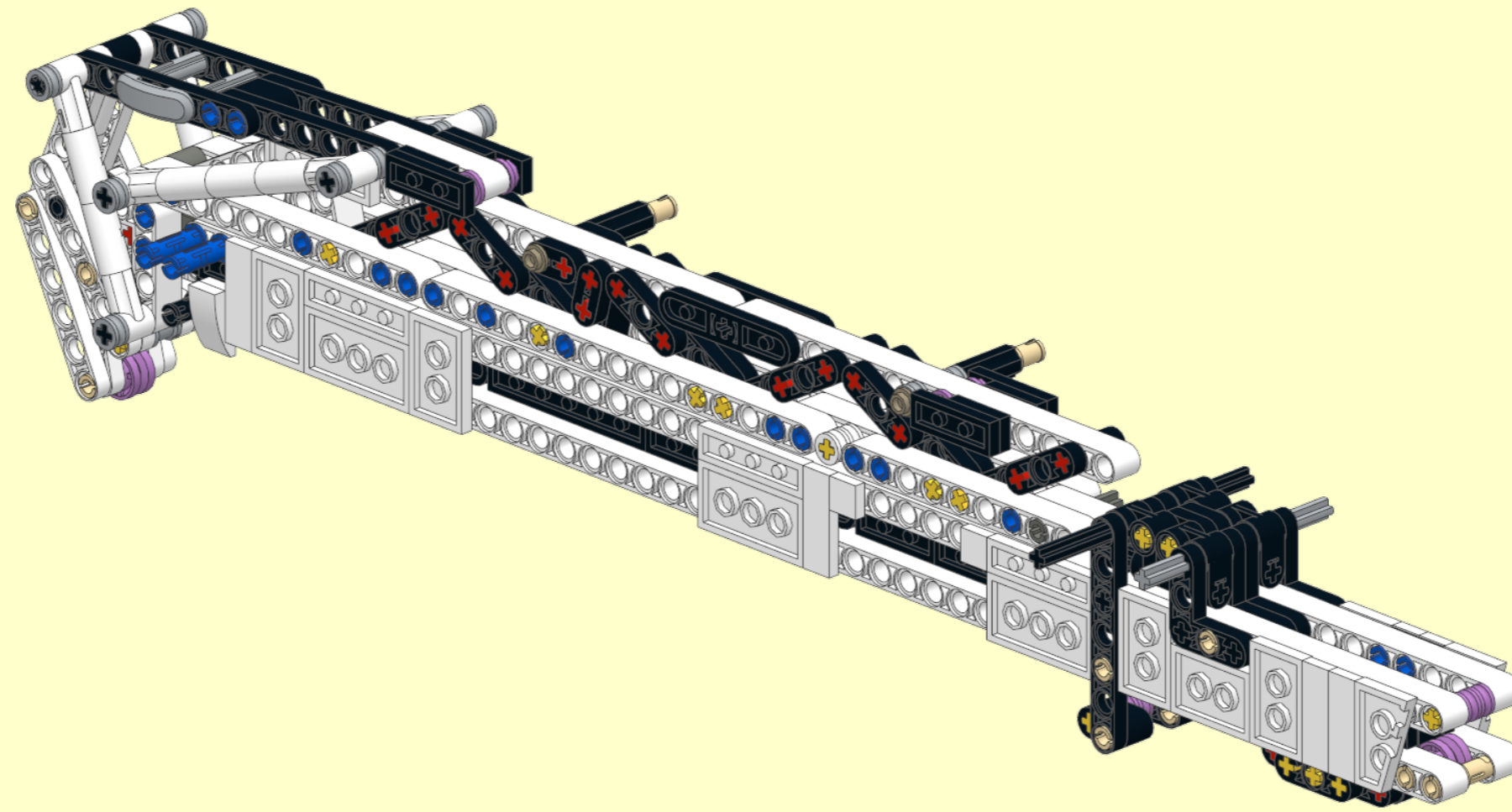


15




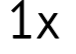
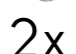
-  2x 3
-  4x
-  2x
-  2x
-  2x
-  2x 9
-  2x
-  2x
-  2x
-  2x
-  1x
-  2x 2
-  2x
-  2x
-  2x

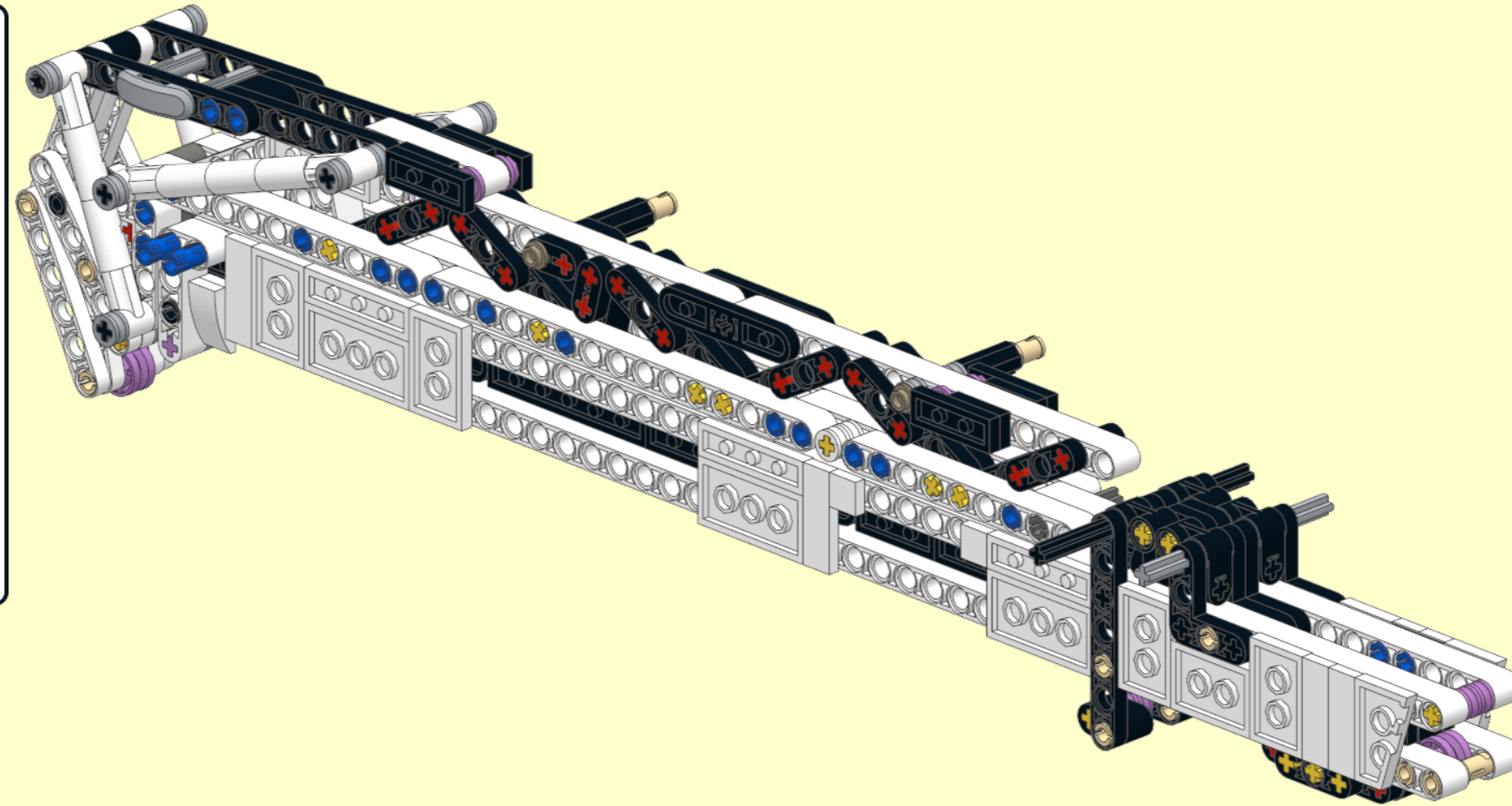


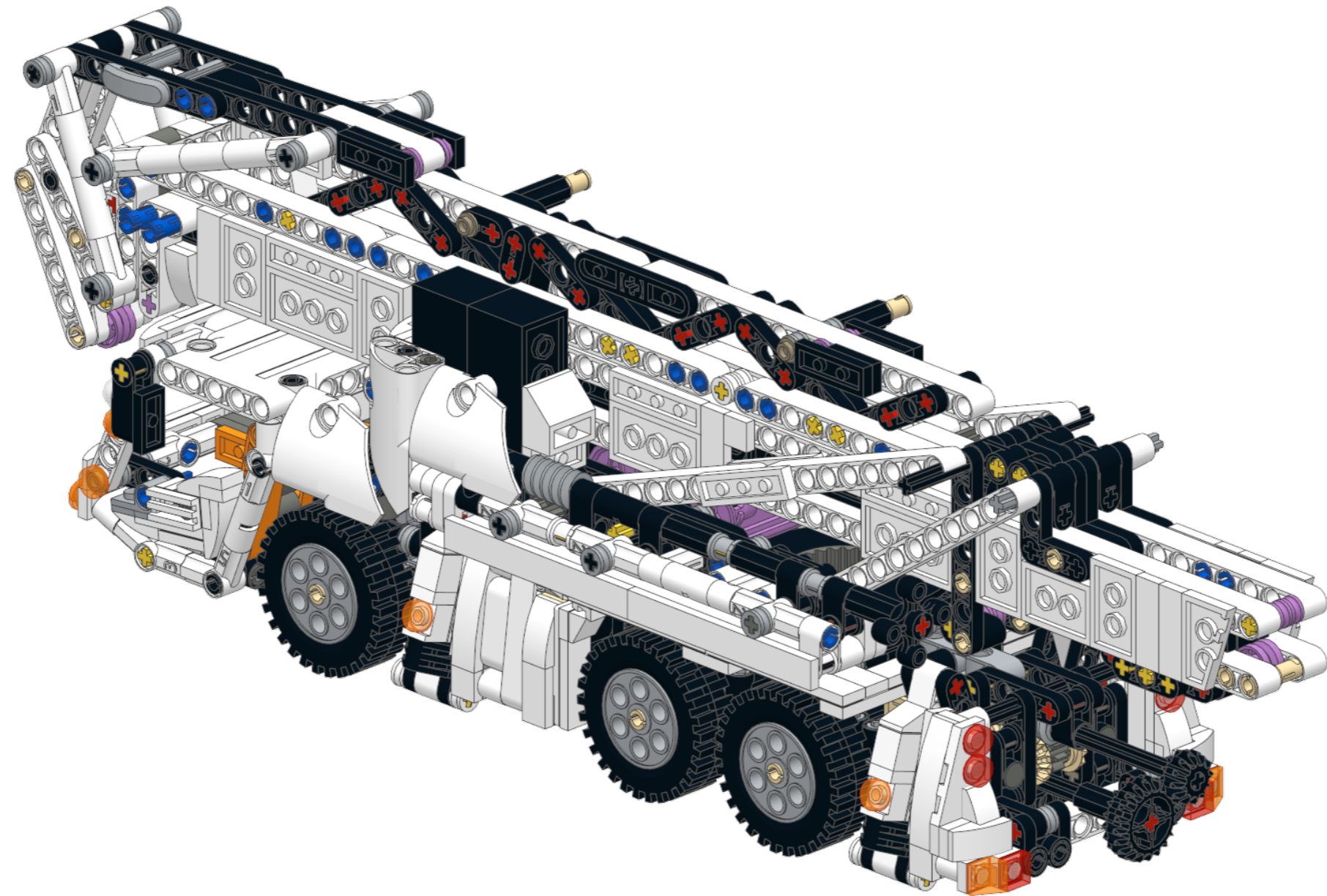
13

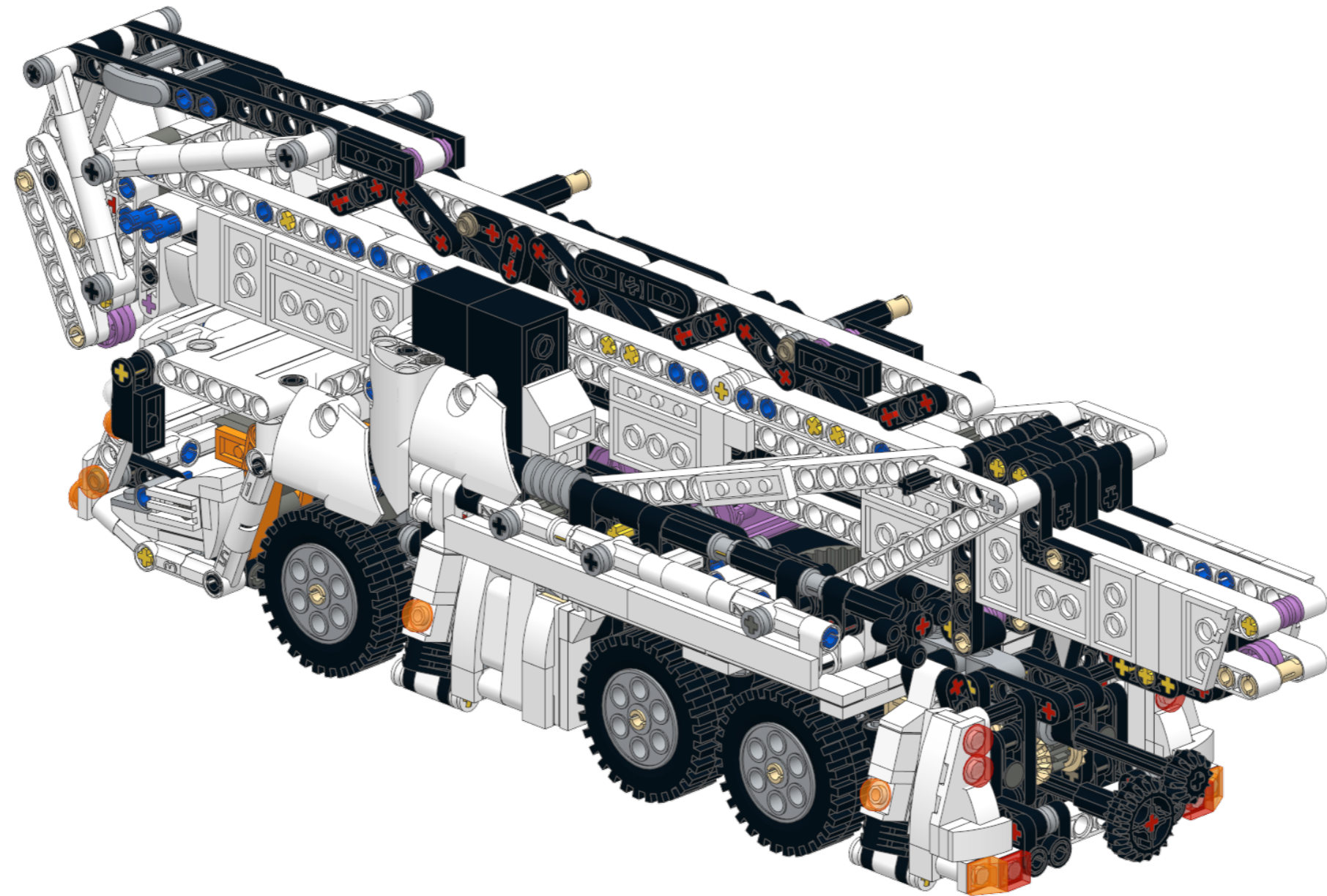


14

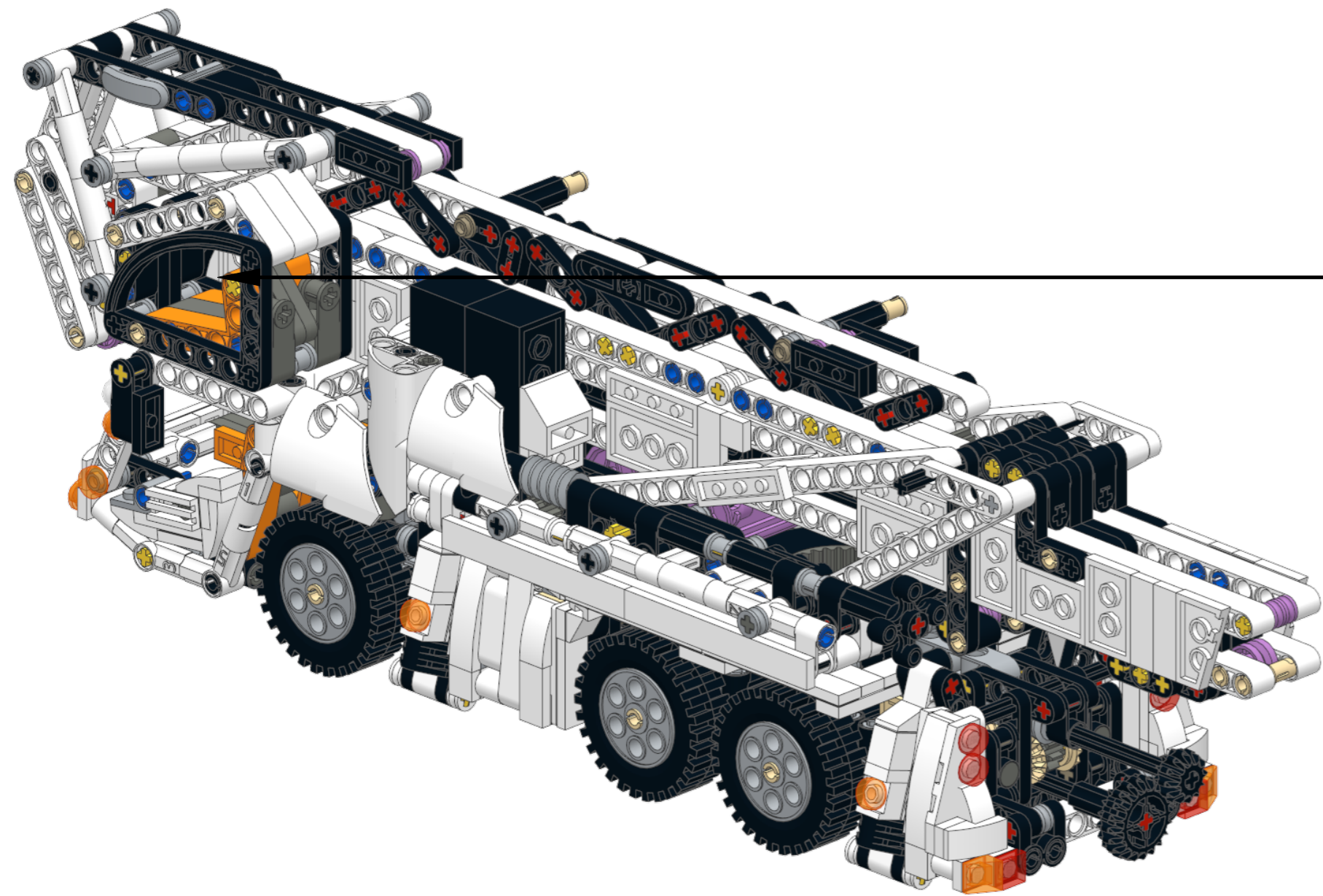
-  2x
-  2x 3
-  1x
-  2x 5
-  1x







- 2x [Black Technic Beam 1x5 with 5 Holes]
- 4x [Blue Pin]
- 6x [Grey Technic Pin]
- 2x [White Technic Pin]
- 2x [Grey Technic Pin]
- 2x [Orange Technic Beam 1x5 with 5 Holes]
- 1x [Grey Technic Beam 1x5 with 5 Holes]
- 2x [Grey Technic Beam 1x5 with 5 Holes]
- 4x [Black Technic Pin]
- 1x [Black Technic Pin]
- 3x [Grey Technic Beam 1x3 with 3 Holes]
- 3x [Grey Technic Beam 1x3 with 3 Holes]
- 1x [Black Technic Beam 1x3 with 3 Holes]
- 2x [Yellow Technic Pin]



- 1
- 2
- 3
- 4

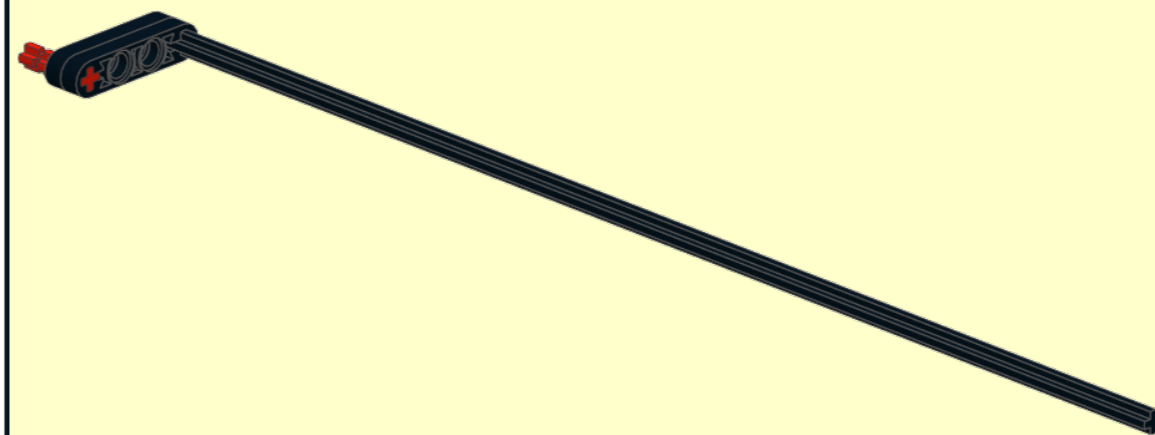
- 1
- 2
- 3

- 1
- 2

- 5
- 6
- 7

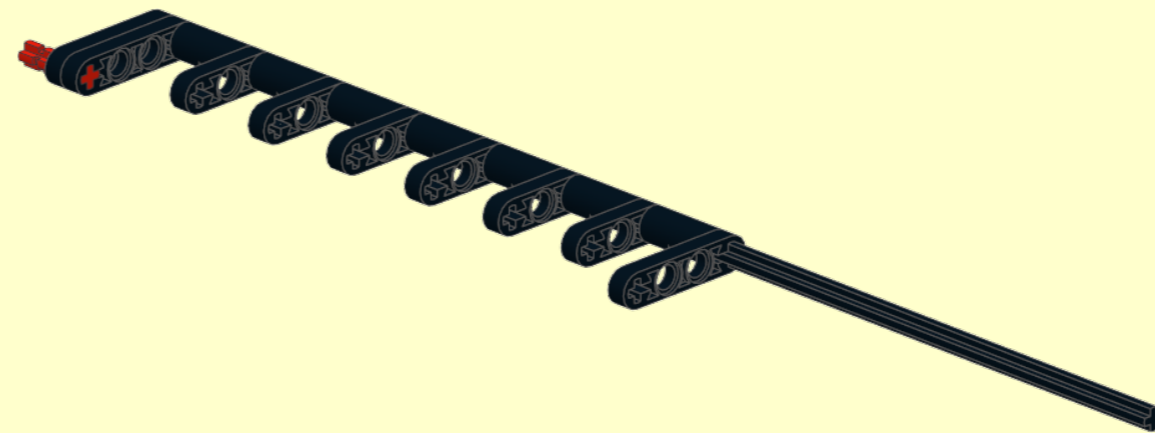
1

2
1x
1x
2x
32



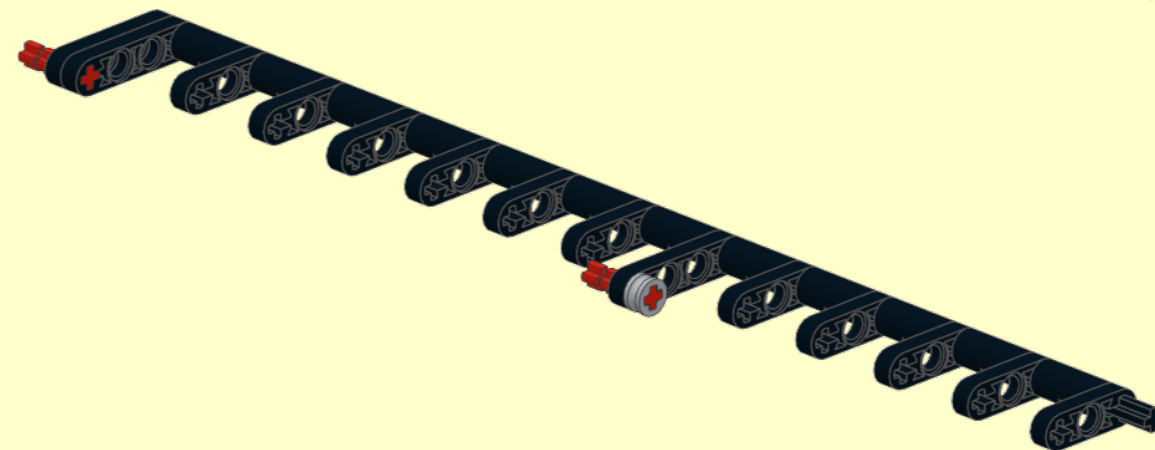
2

6x
1x 7x

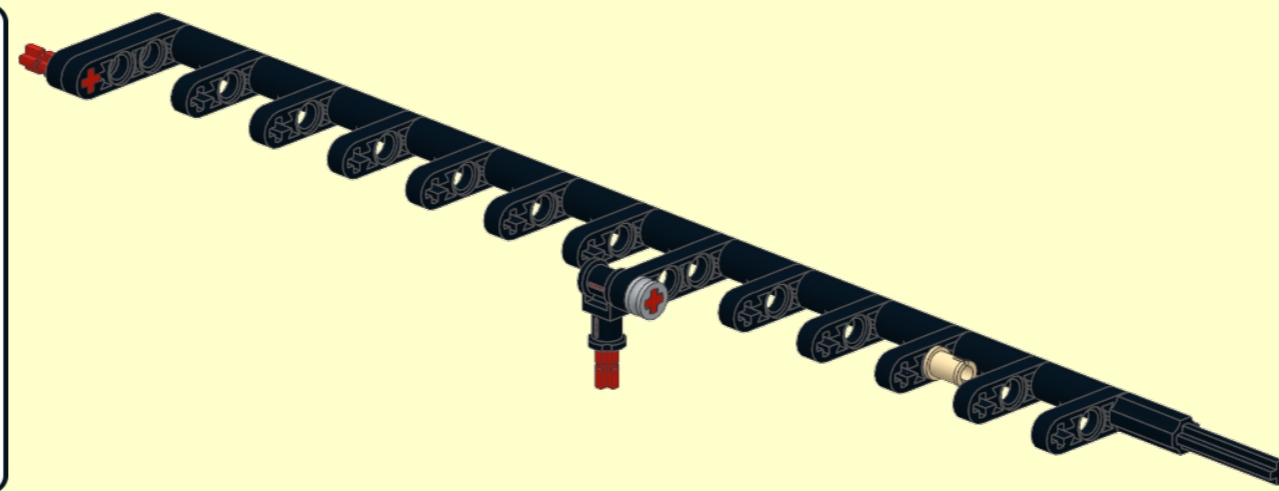


3

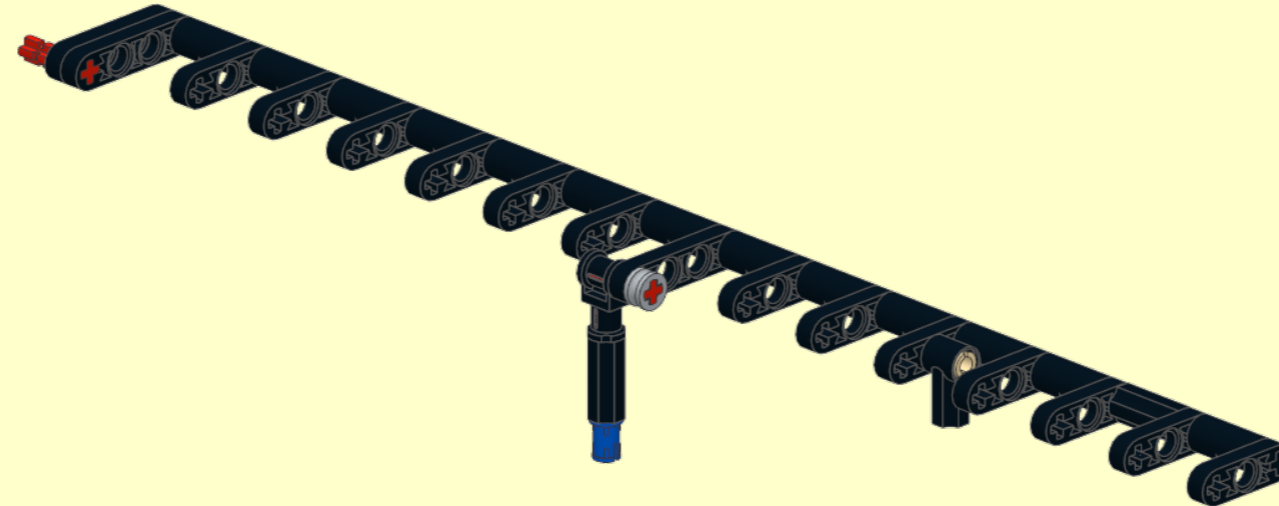
1x
5x
5x 2
1x



- 4**
- 2
 - 1x
 - 1x
 - 4
 - 1x
 - 1x
 - 1x
 - 1x

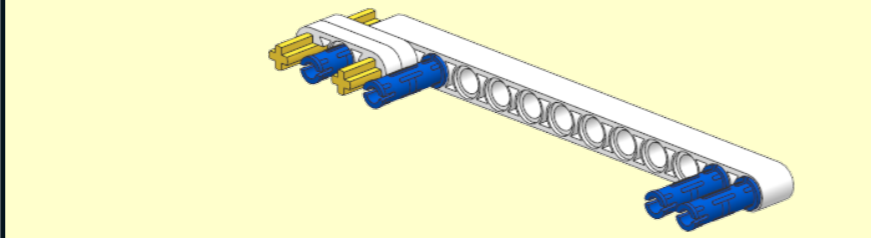
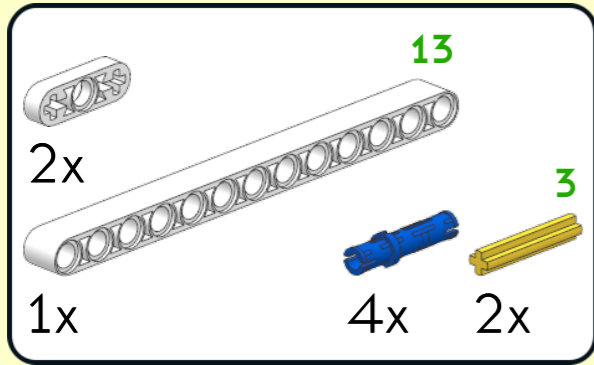


- 5**
- 1x
 - 1x
 - 1x
 - 2x
 - 1x
 - 1x
 - 1x

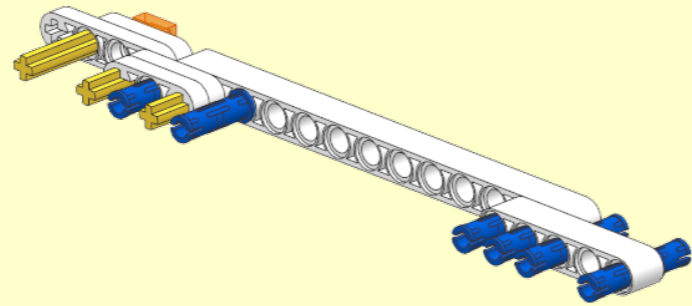
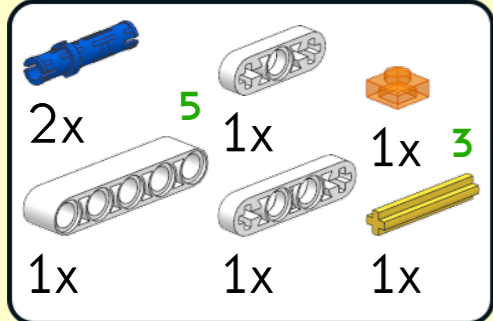




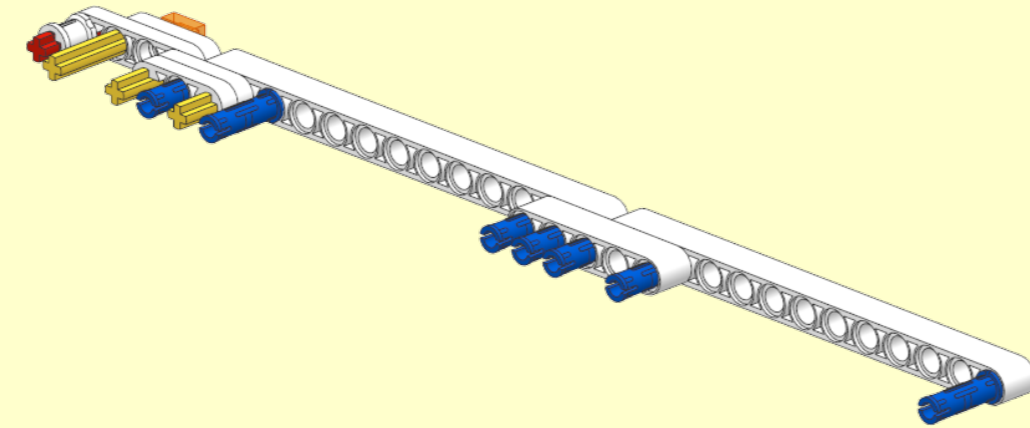
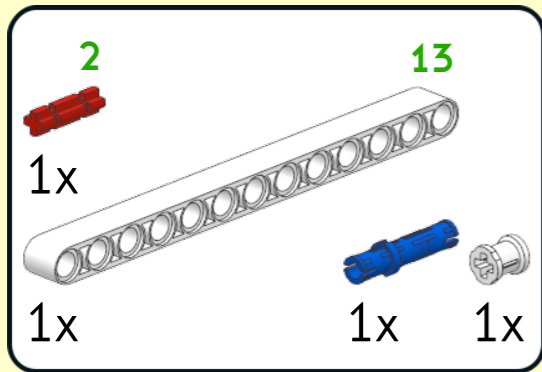
1



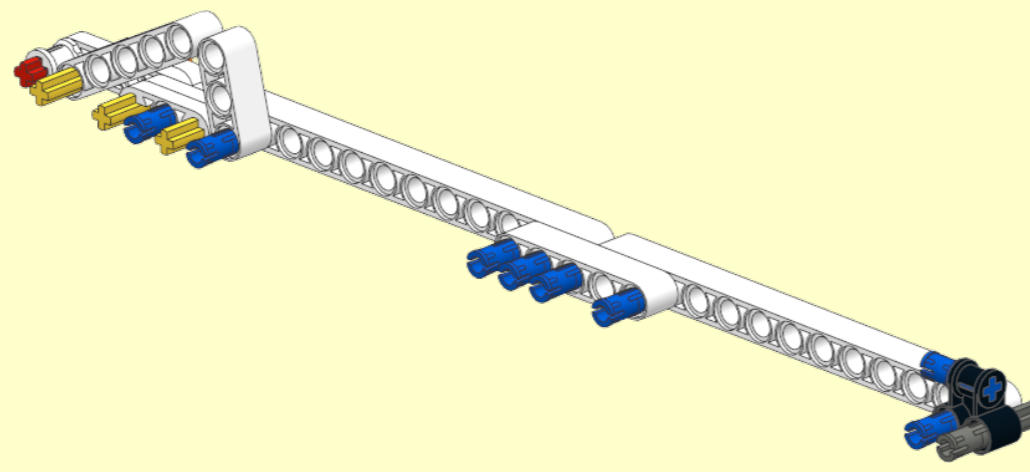
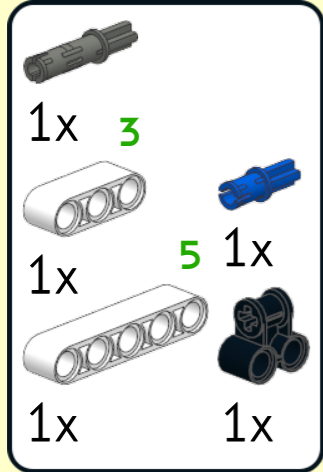
2



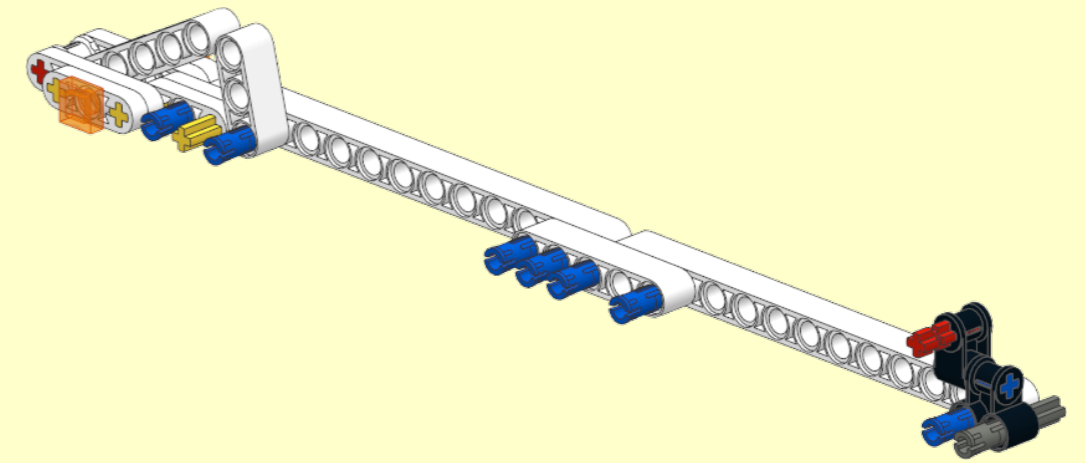
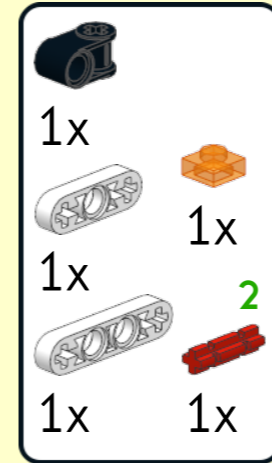
3



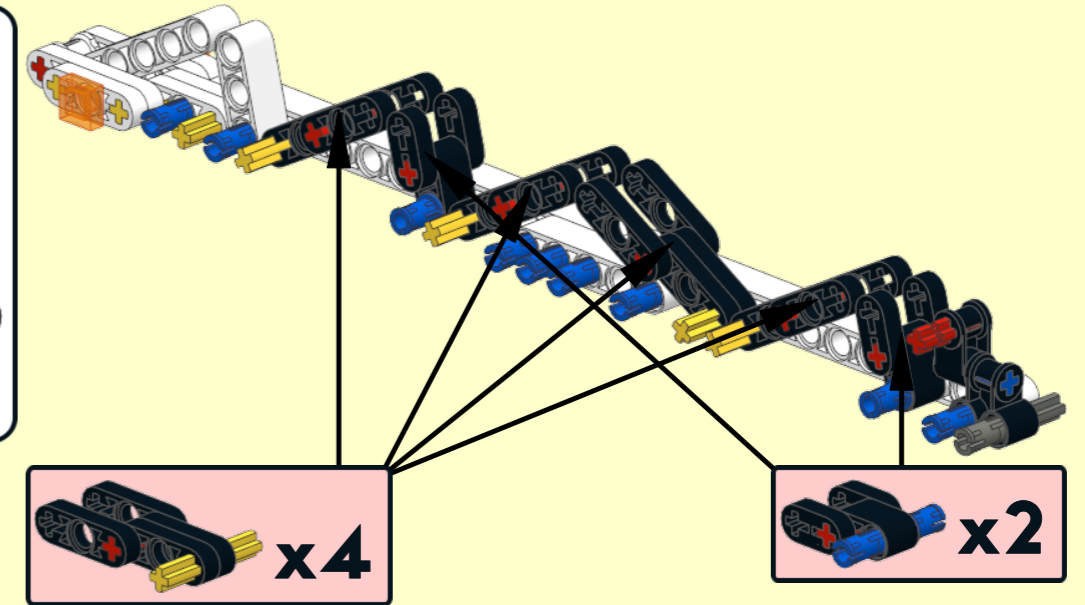
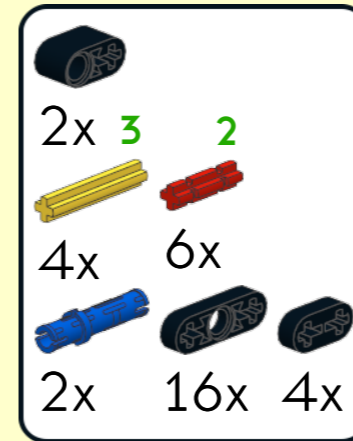
4



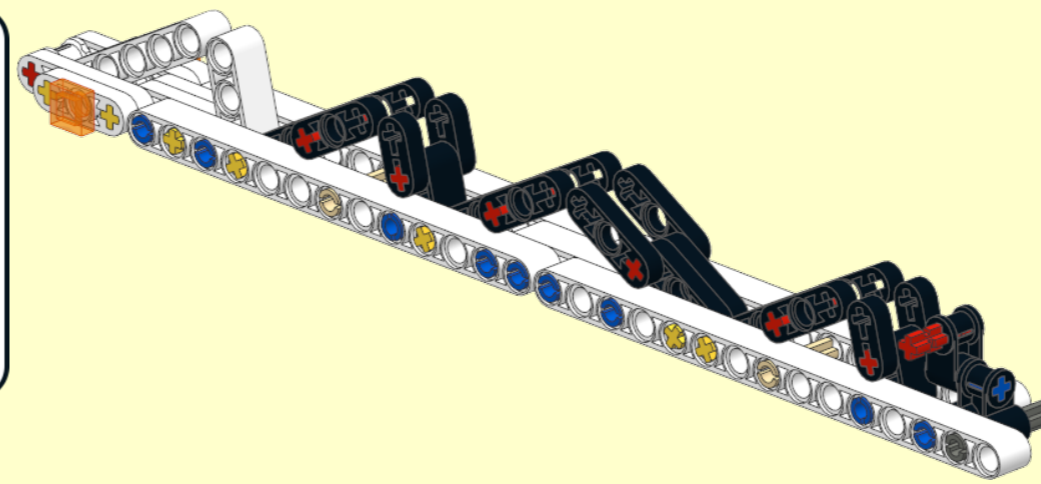
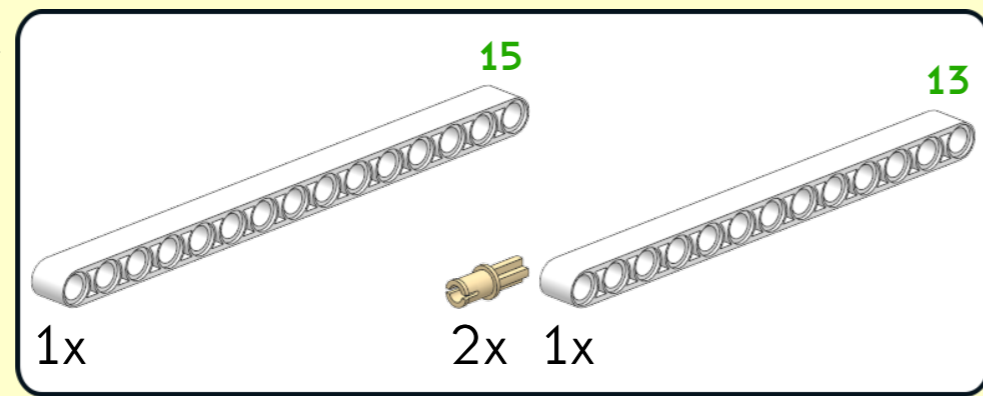
5



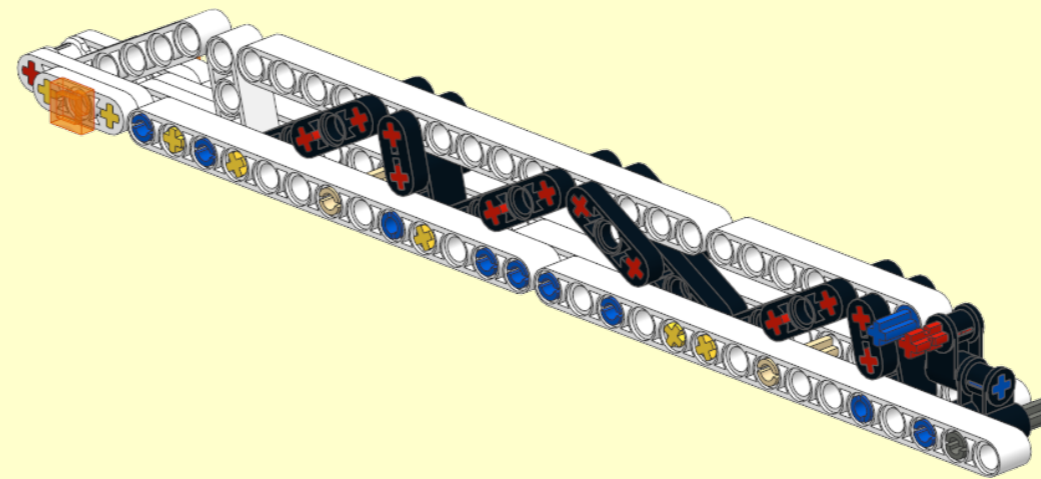
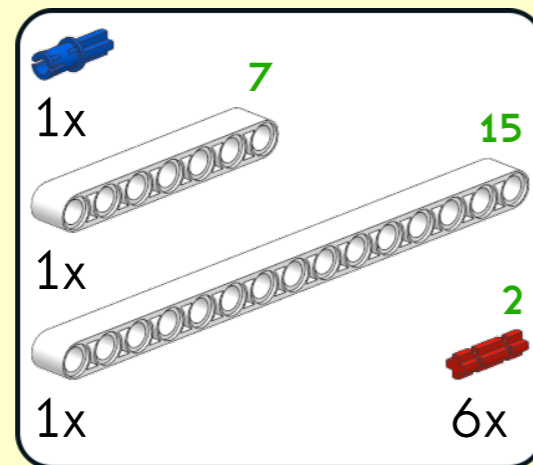
6



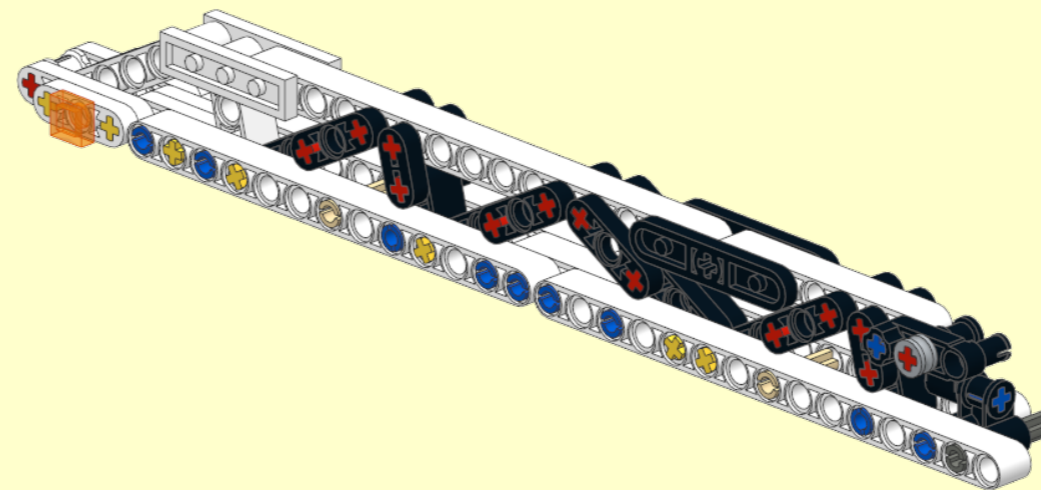
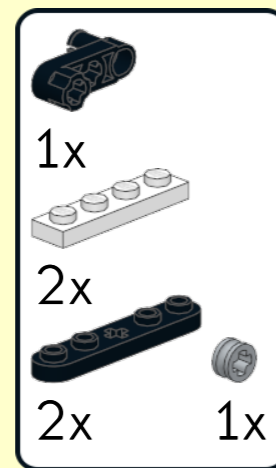
7



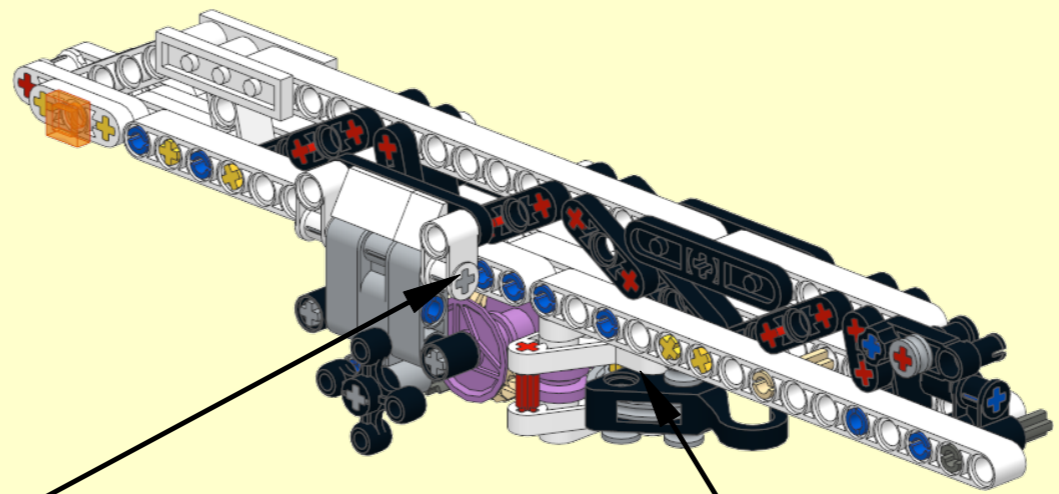
8



9



- 2x [Grey Technic Pin]
- 2x [Black Technic Pin]
- 1x [Grey Technic L-Bracket]
- 2x [Grey Technic L-Bracket]
- 1x [Grey Technic Axle]
- 2x [Blue Technic Axle]
- 4x [Grey Technic Axle]
- 1x [Purple Technic Gear]
- 1x [Black Technic Hook]
- 2x [Black Technic Pin]
- 3x [Yellow Technic Pin]
- 3x [Grey Technic Pin]
- 1x [Grey Technic Wheel]
- 2x [White Technic Plate]
- 2x [Grey Technic Pin]
- 4x [Red Technic Pin]
- 4x [Black Technic Pin]
- 3x [Grey Technic Pin]
- 2x [Black Technic Pin]
- 2x [Black Technic Pin]
- 4x [Black Technic Pin]
- 4x [Black Technic Pin]
- 3x [Black Technic Pin]
- 2x [Black Technic Pin]



1 [Assembly step 1: Inserting a purple pin into a grey bracket]

2 [Assembly step 2: Attaching a grey L-bracket to the assembly]

3 [Assembly step 3: Adding a blue axle to the grey L-bracket]

4 [Assembly step 4: Mounting a yellow gear onto the blue axle]

5 [Assembly step 5: Adding a black cross-axle to the gear assembly]

6 [Assembly step 6: Attaching a purple gear to the black cross-axle]

7 [Assembly step 7: Adding grey pins to the sides of the assembly]

8 [Assembly step 8: Mounting a white plate onto the grey pins]

1 [Assembly step 1: Attaching a white plate to the sub-assembly]

2 [Assembly step 2: Adding a black hook to the sub-assembly]

3 [Assembly step 3: Final assembly step showing the completed sub-assembly]



