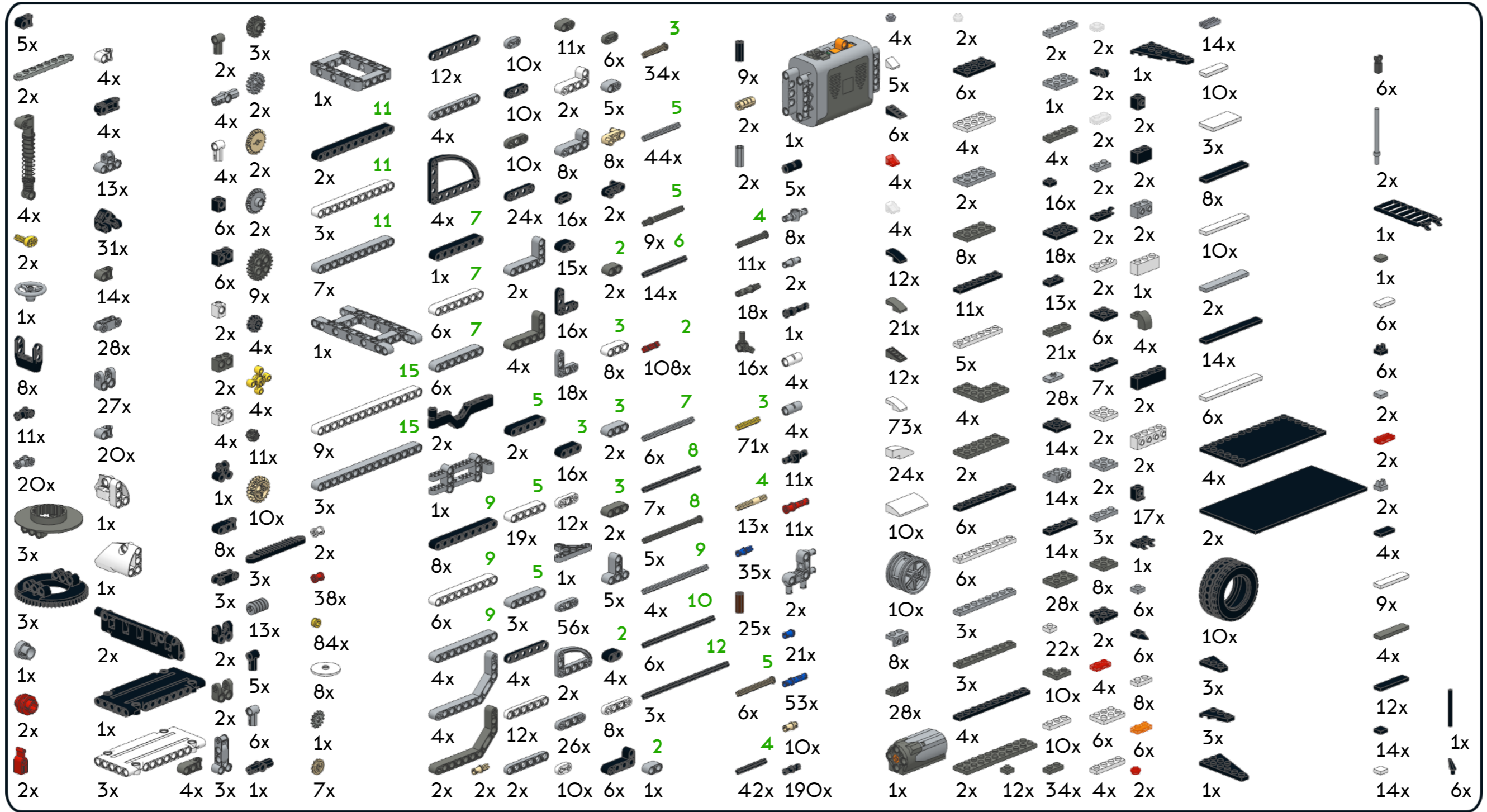




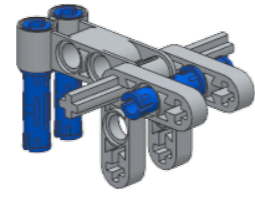
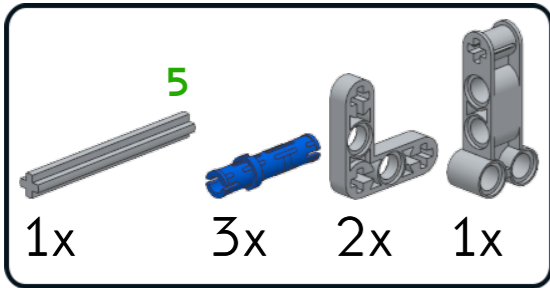
Erik Leppen



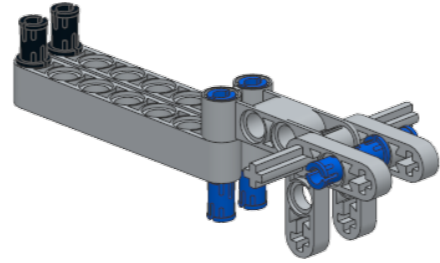
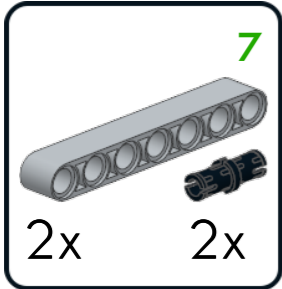
“Valuable Transport”



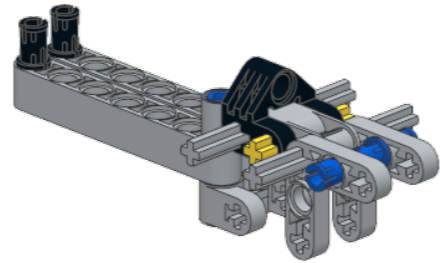
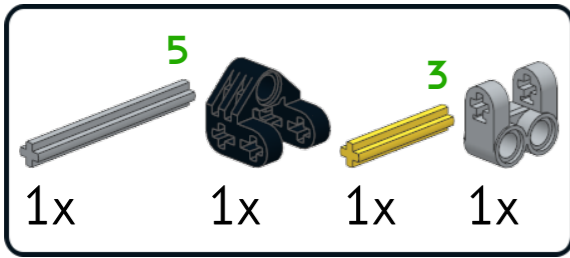
1



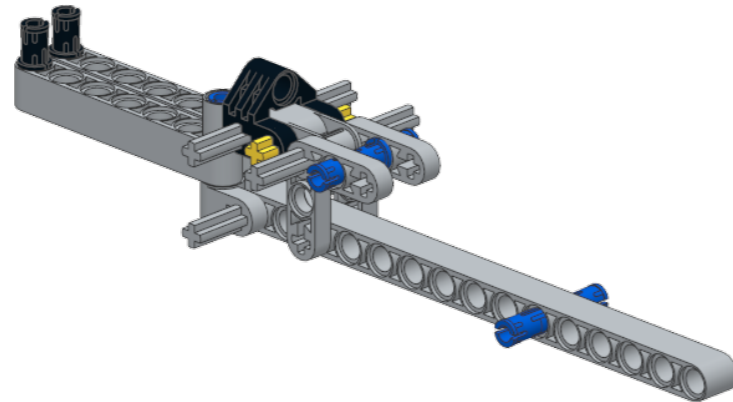
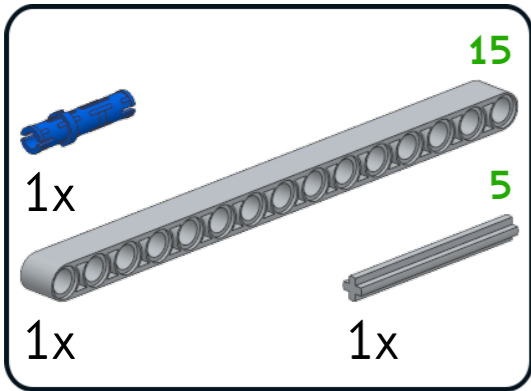
2



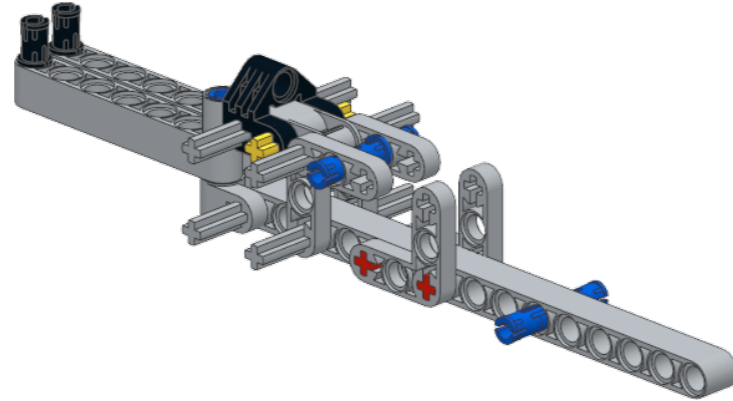
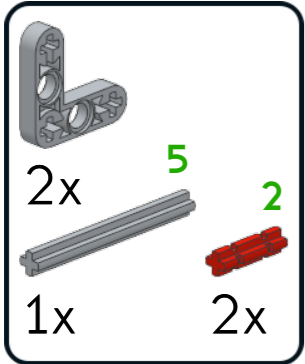
3



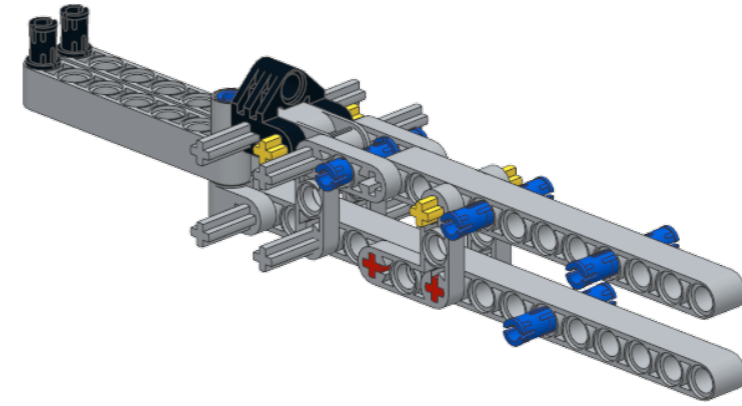
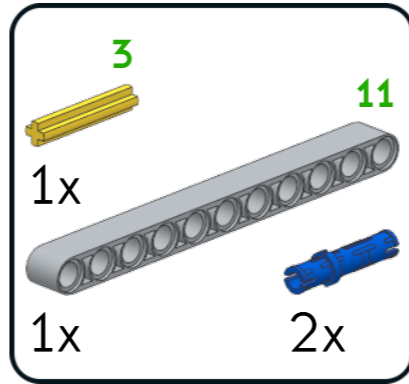
4



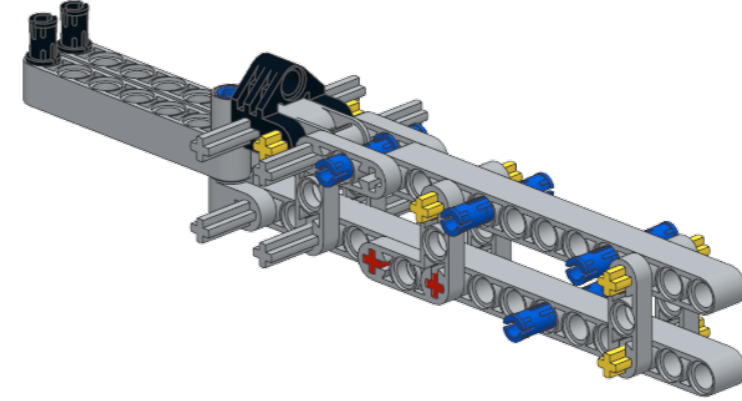
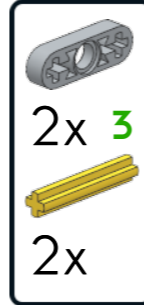
5



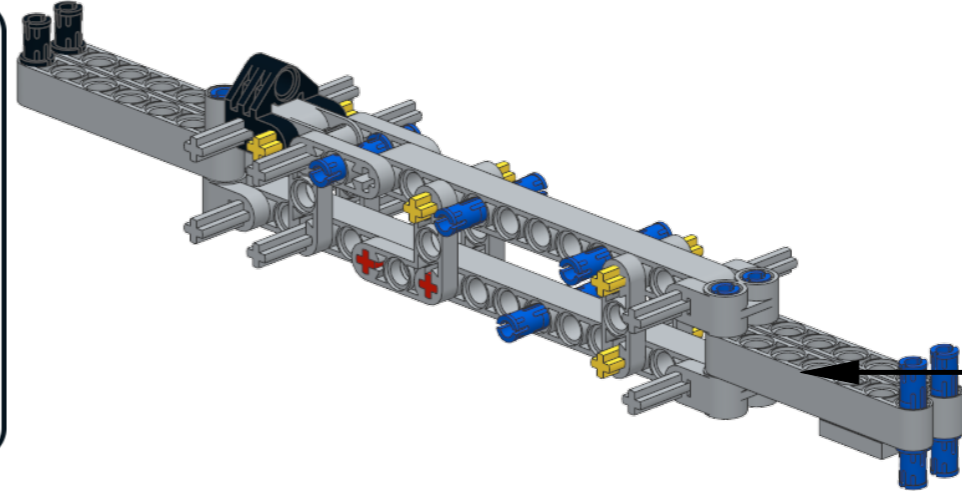
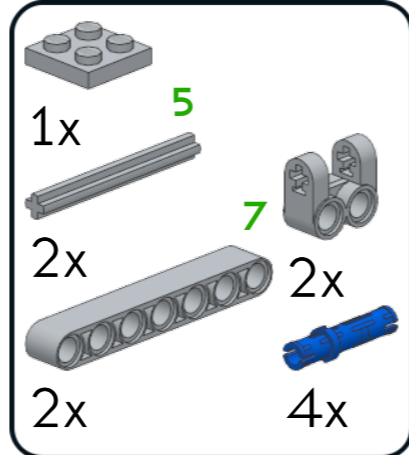
6



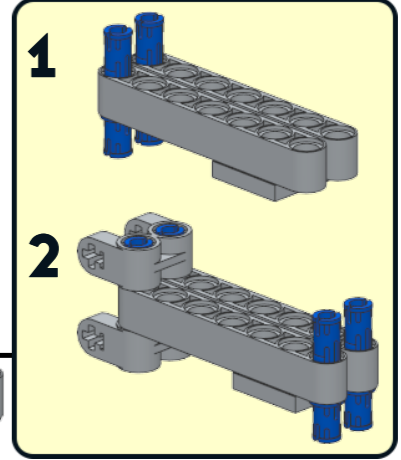
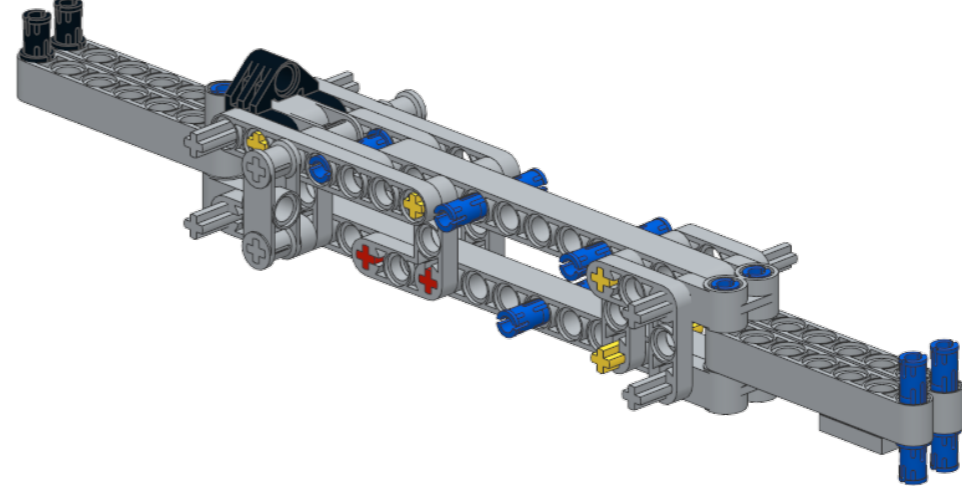
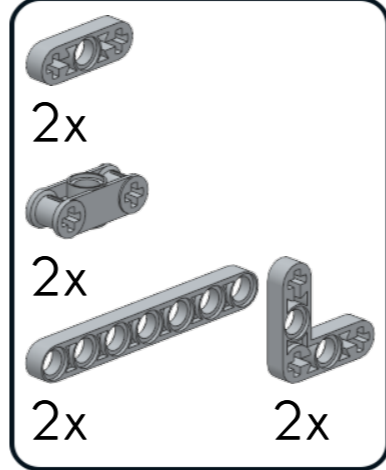
7



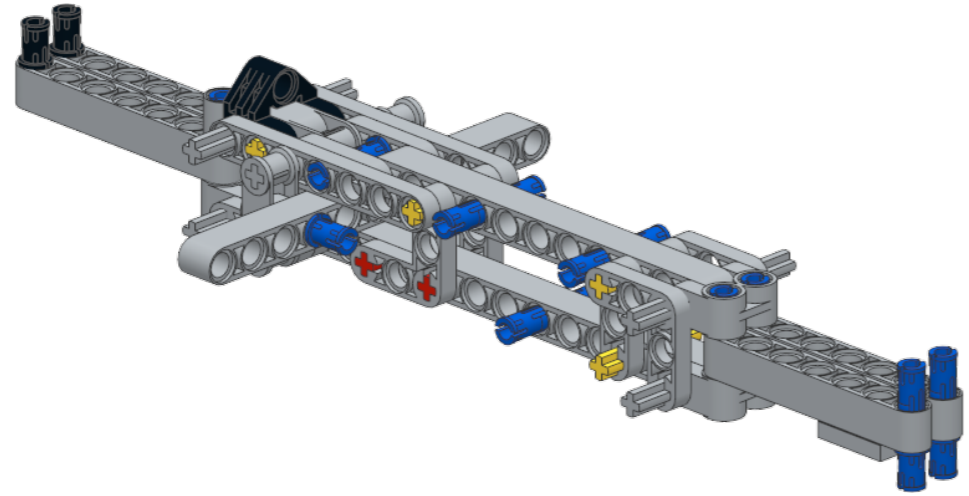
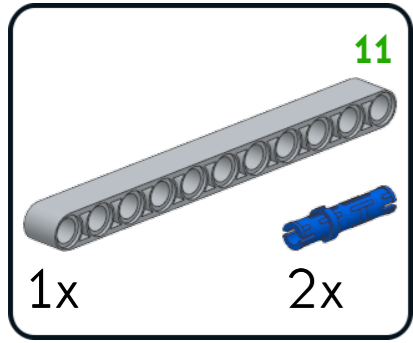
8



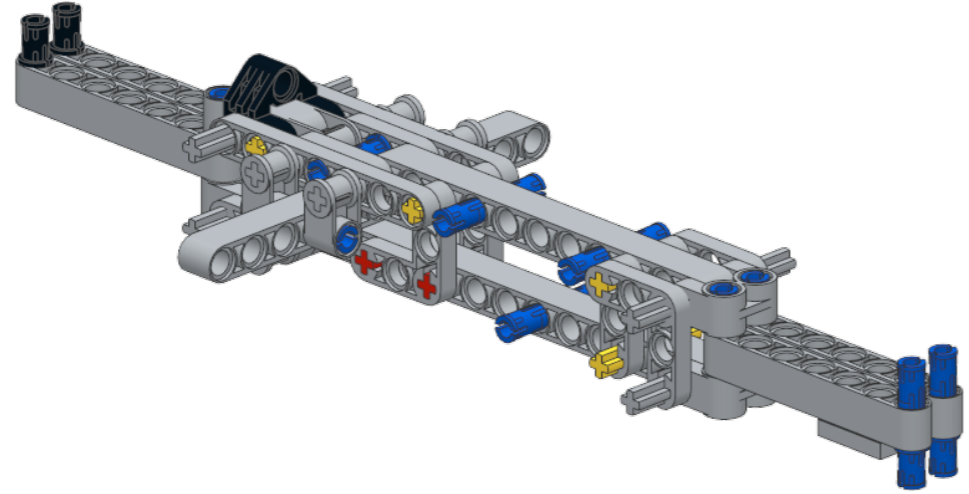
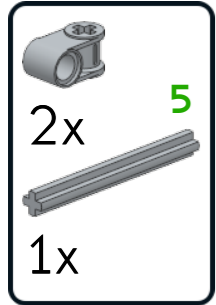
9



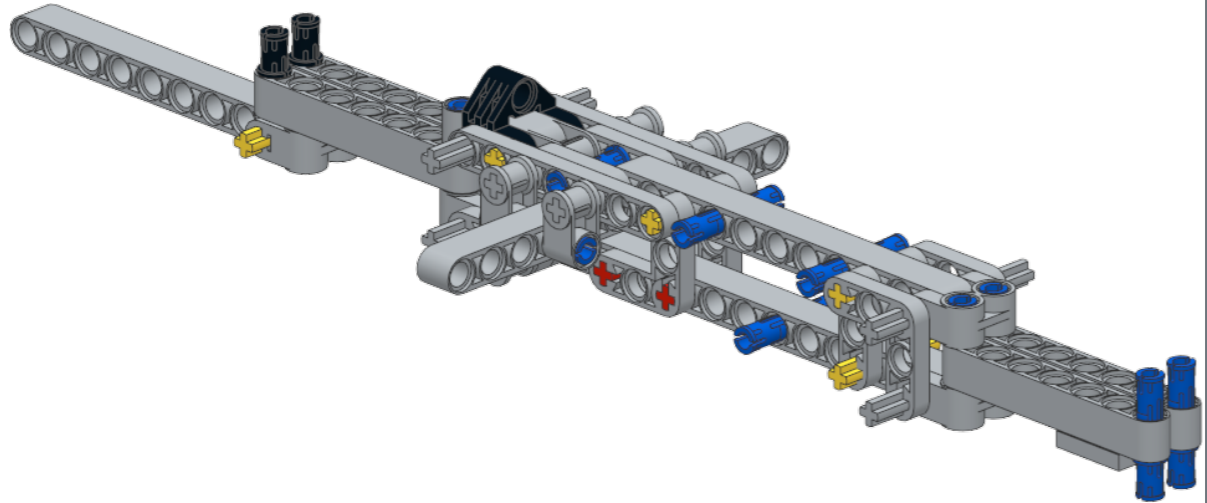
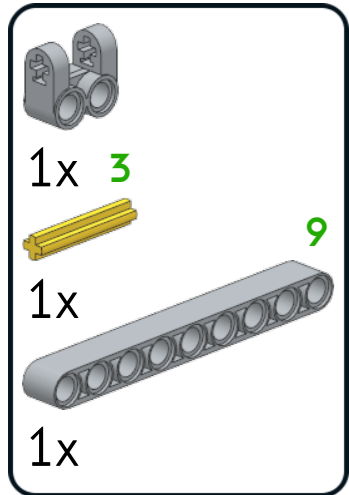
0



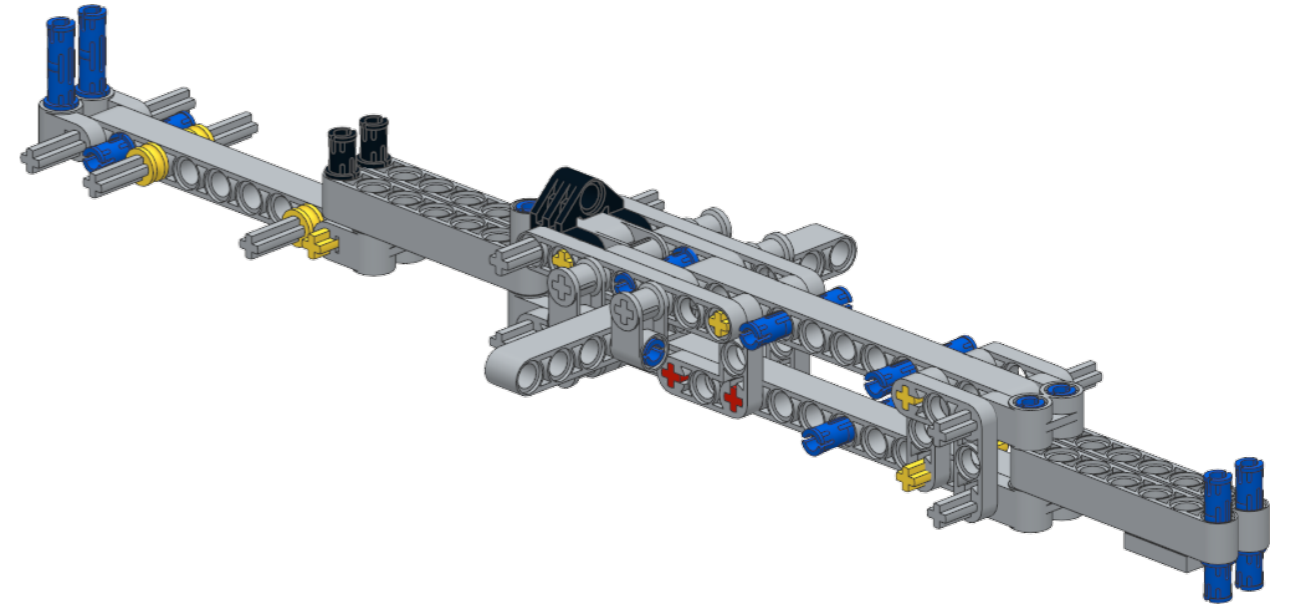
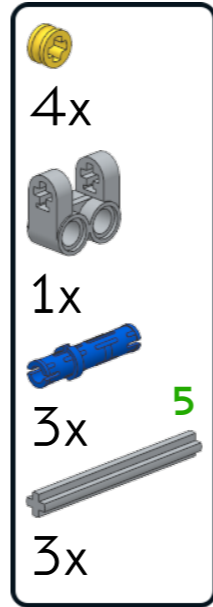
1



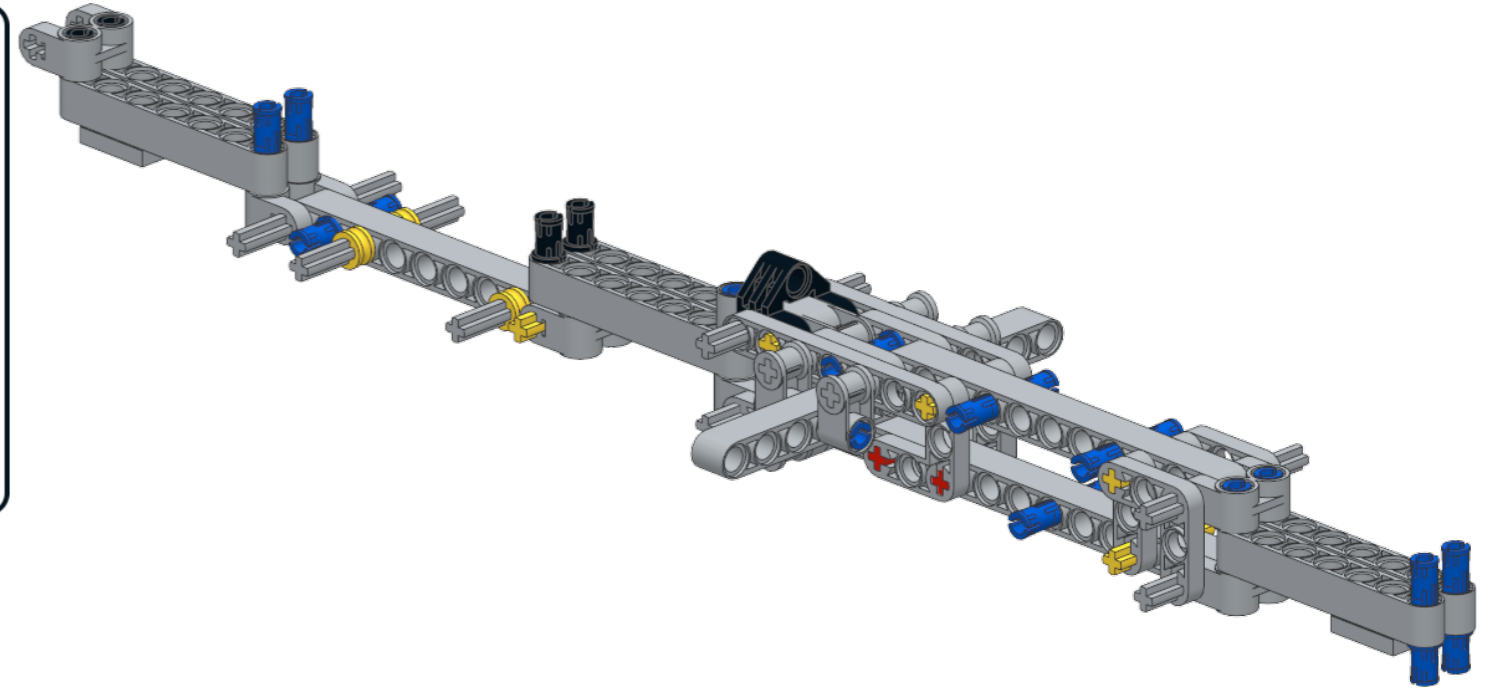
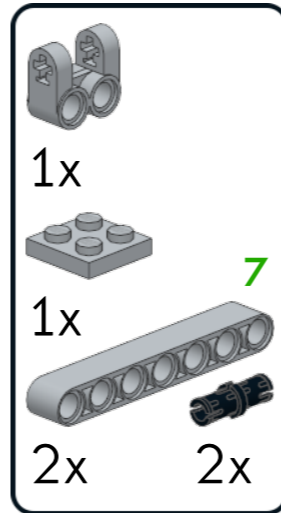
2



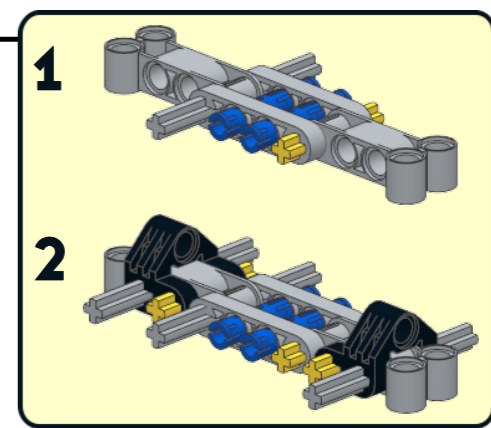
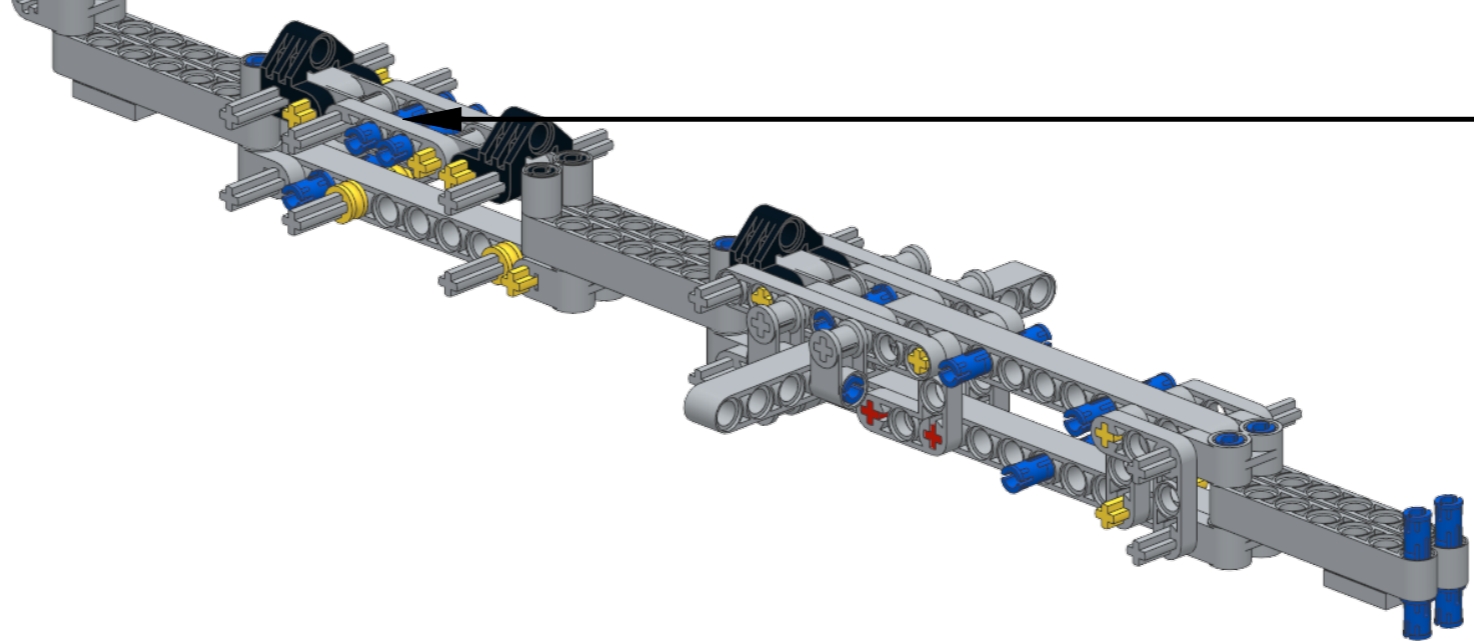
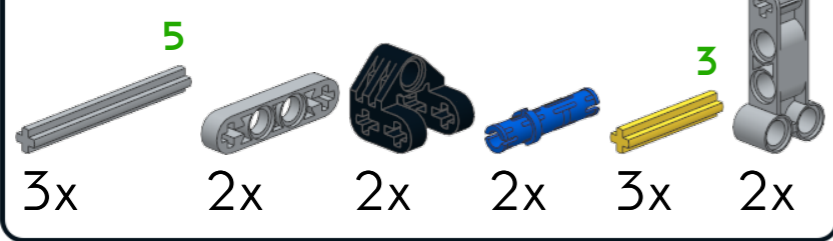
13



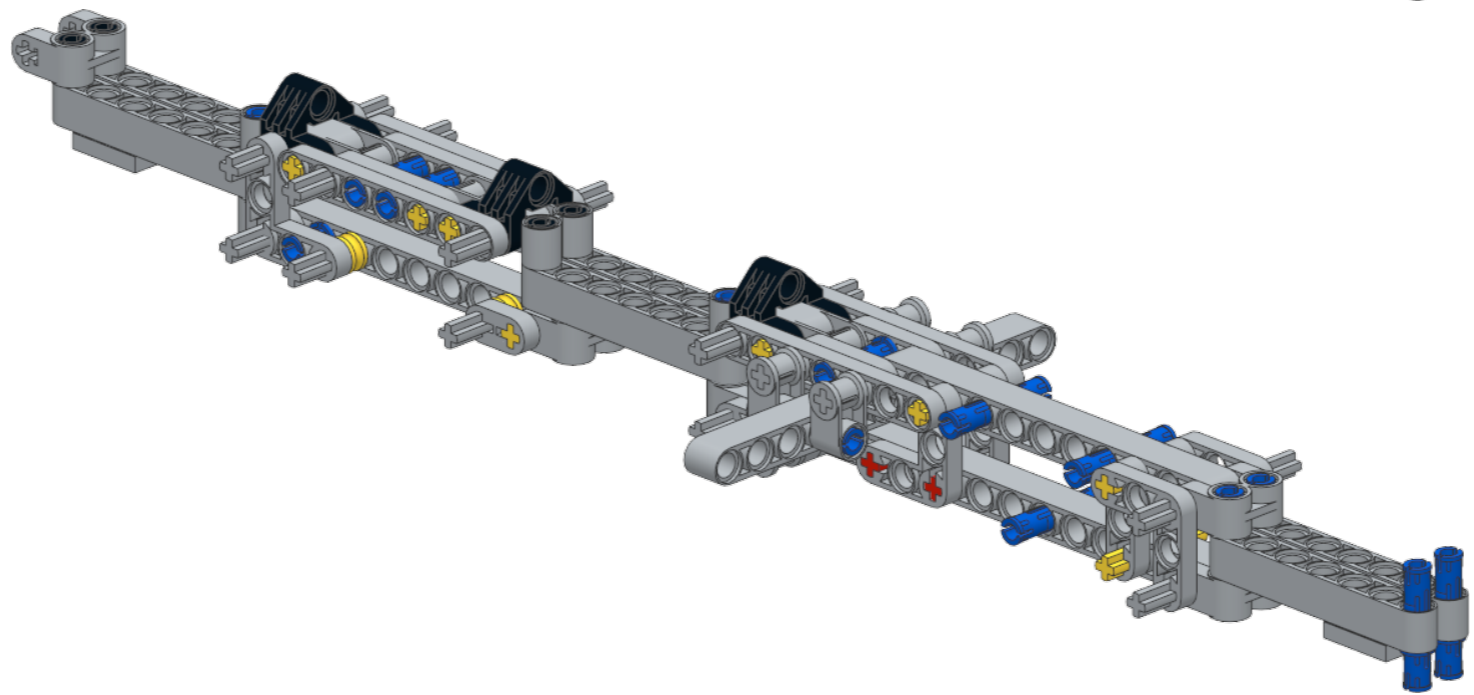
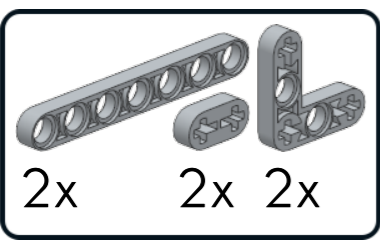
14



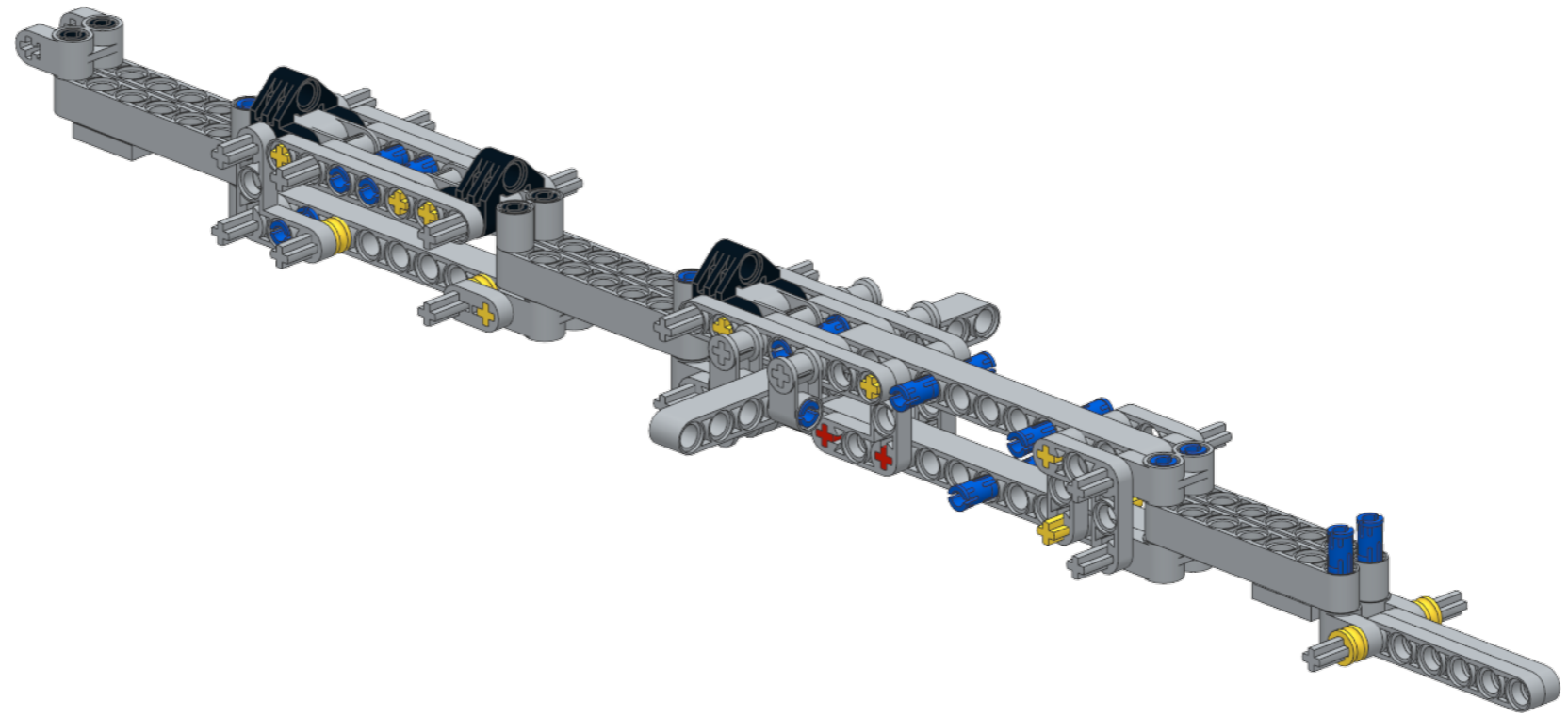
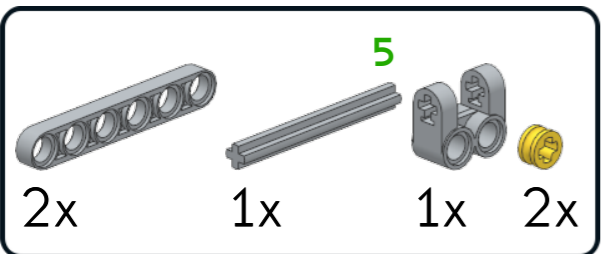
15





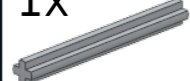

16

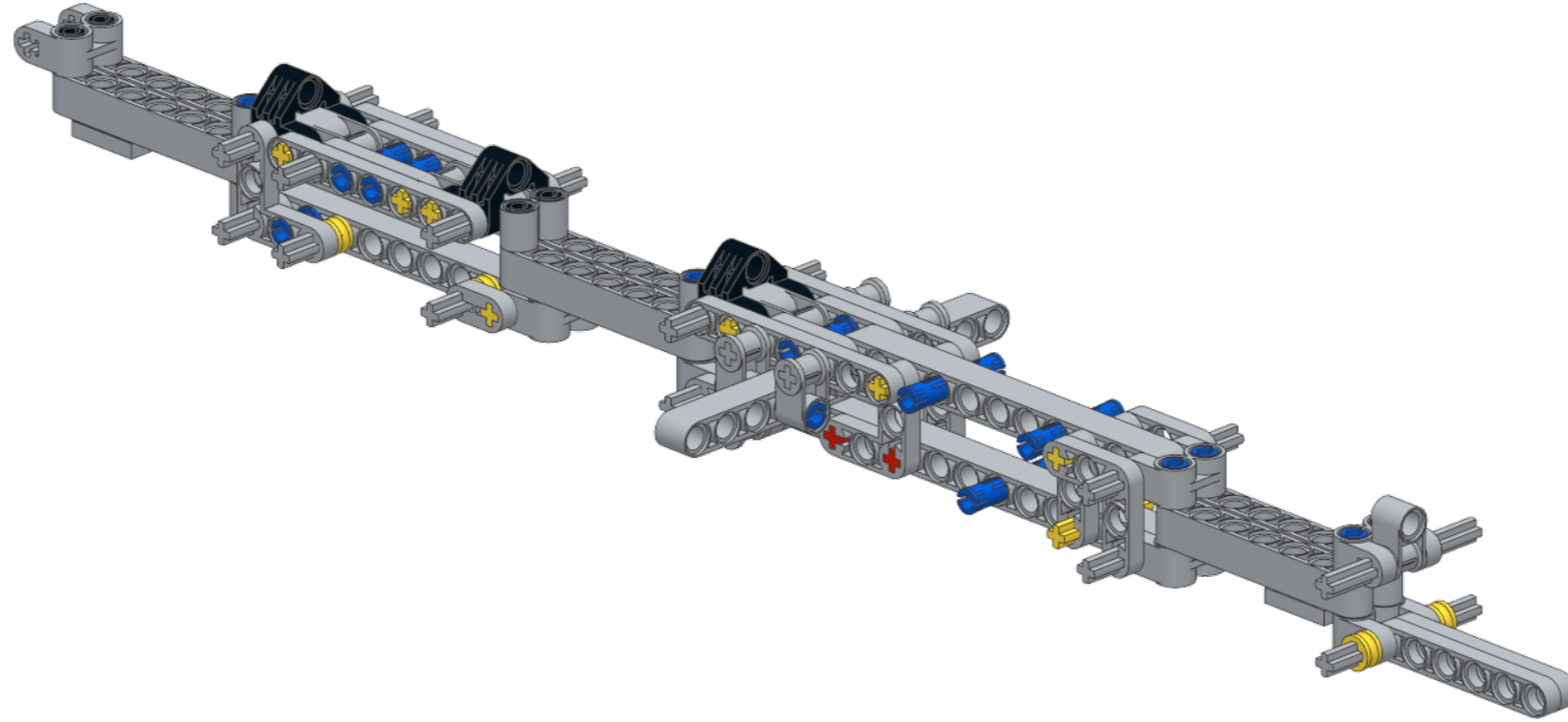


17

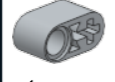
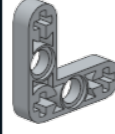

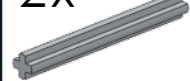



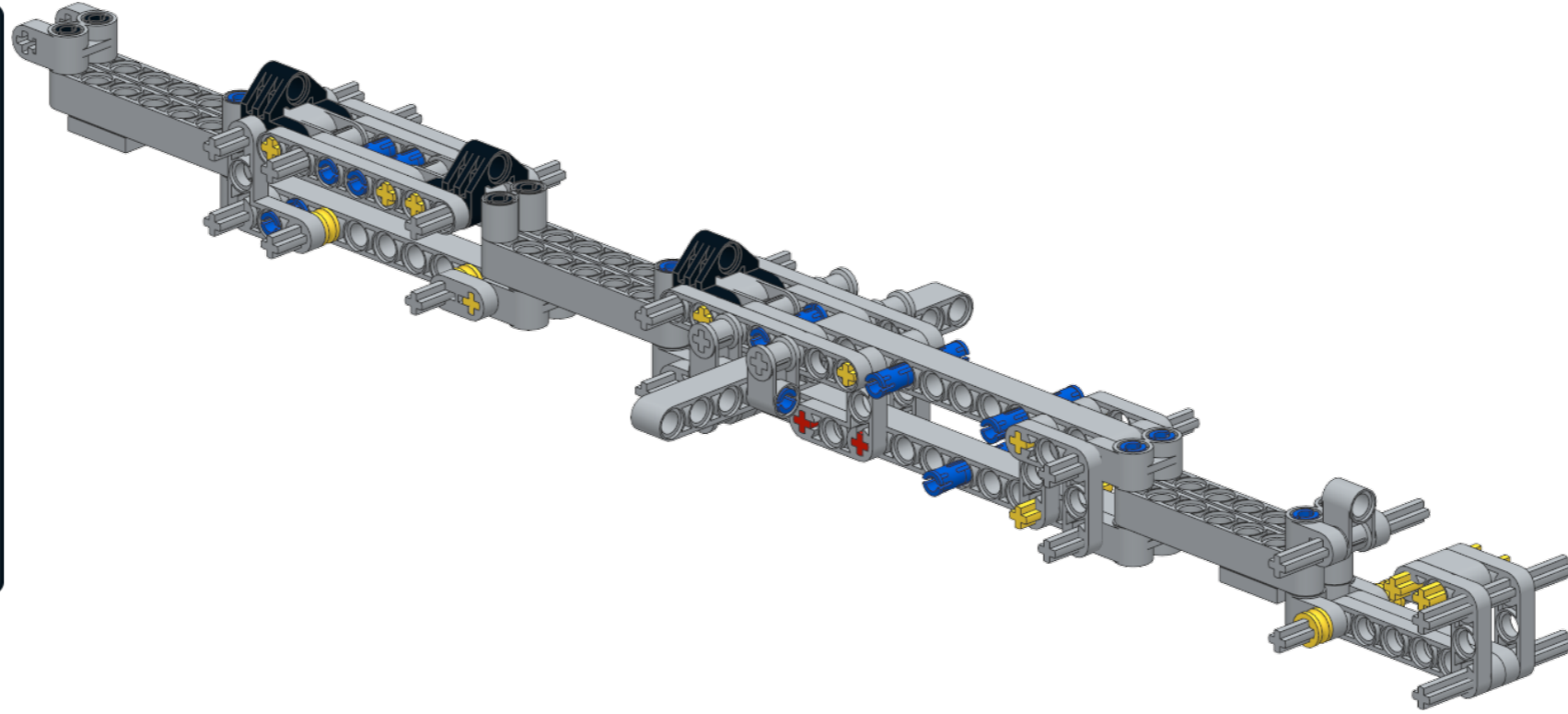
18

- 1x 
- 1x 
- 1x  5
- 1x 


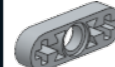
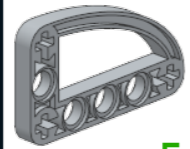
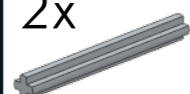


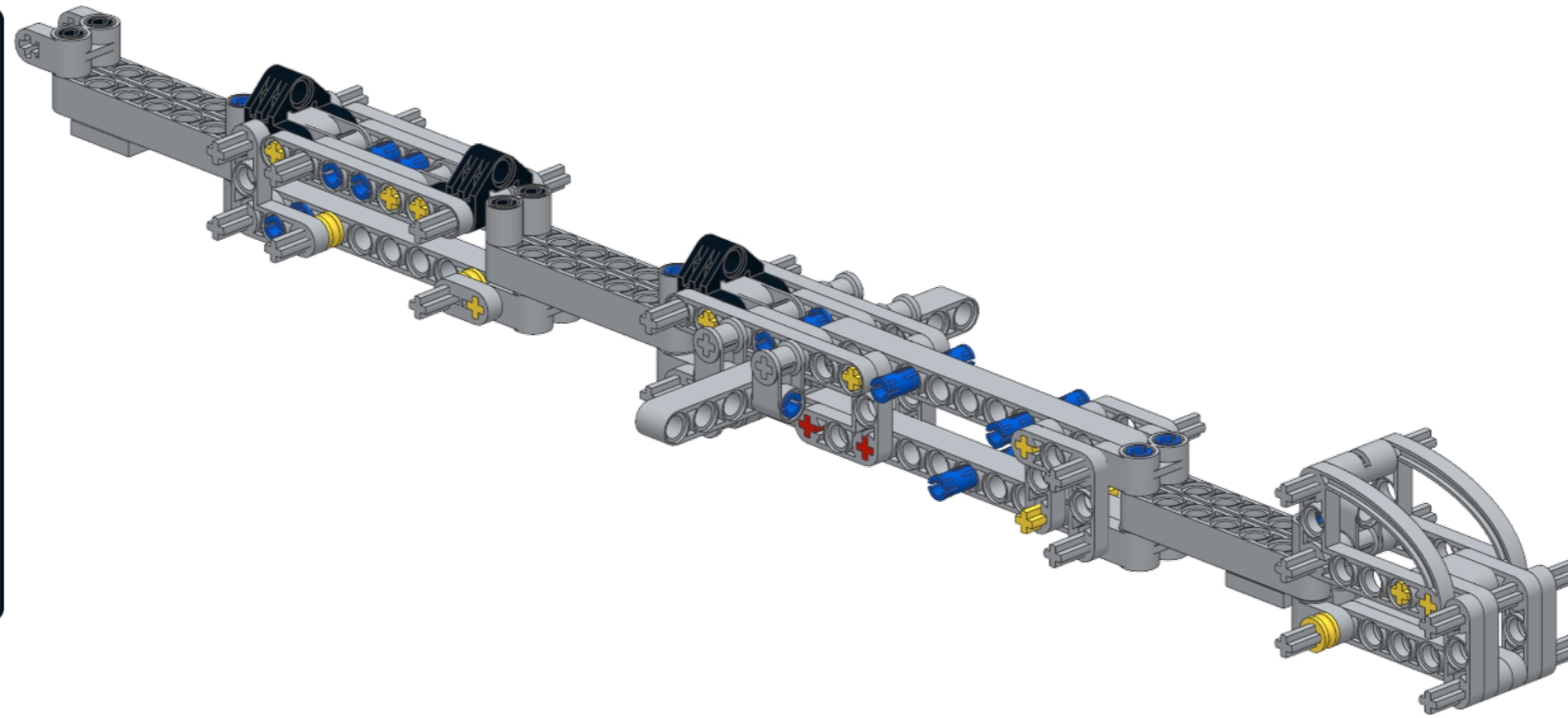
19

- 1x 
- 1x 
- 2x  3
- 2x  5
- 2x 

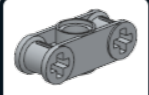


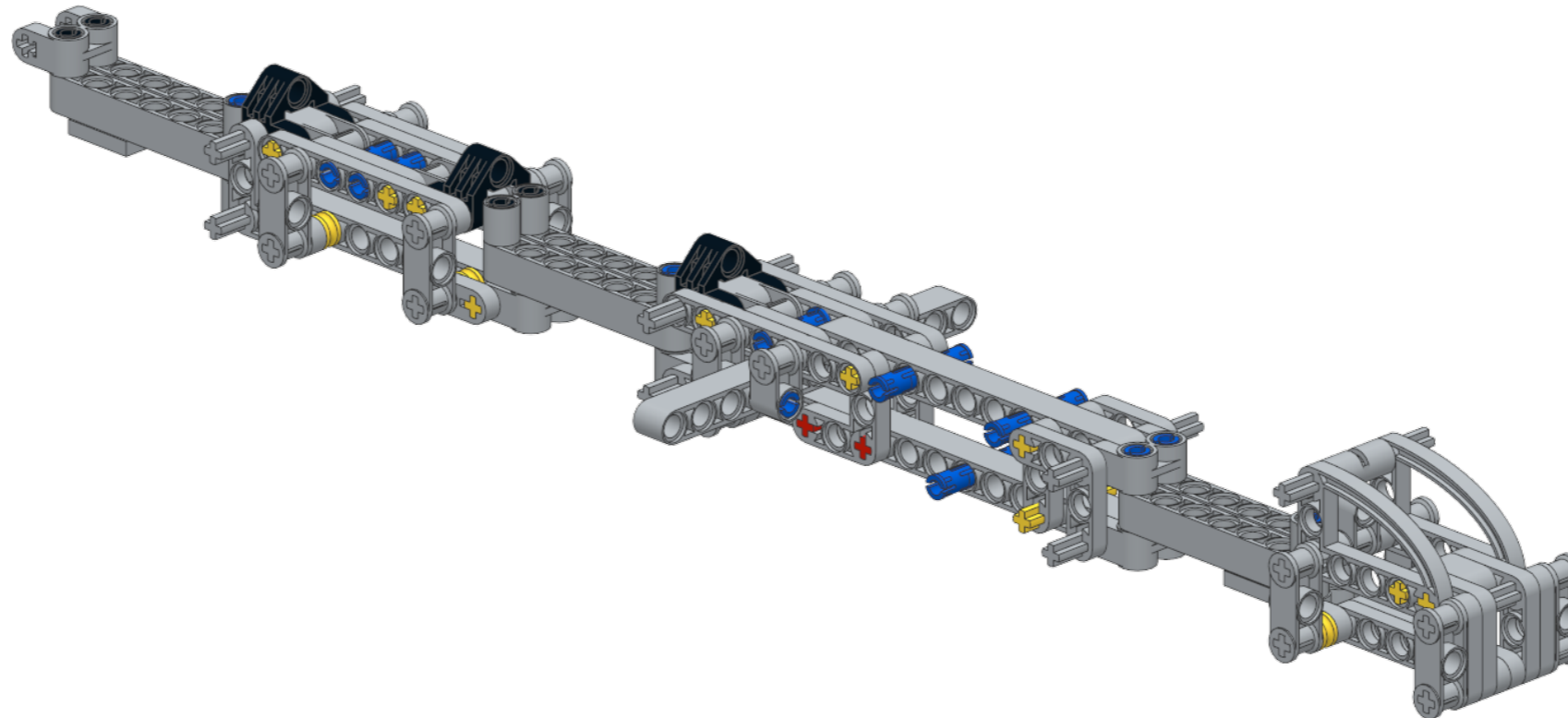
20

- 1x 
- 2x 
- 2x  5
- 1x 



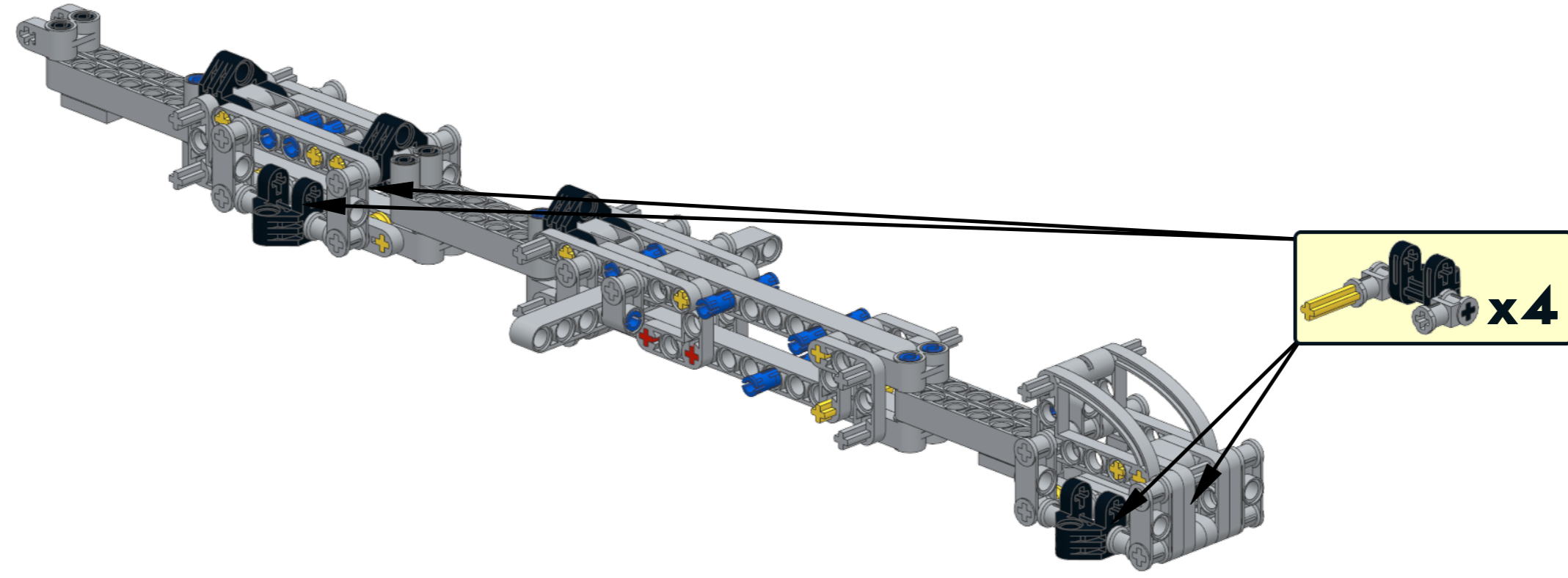
21

- 8x 



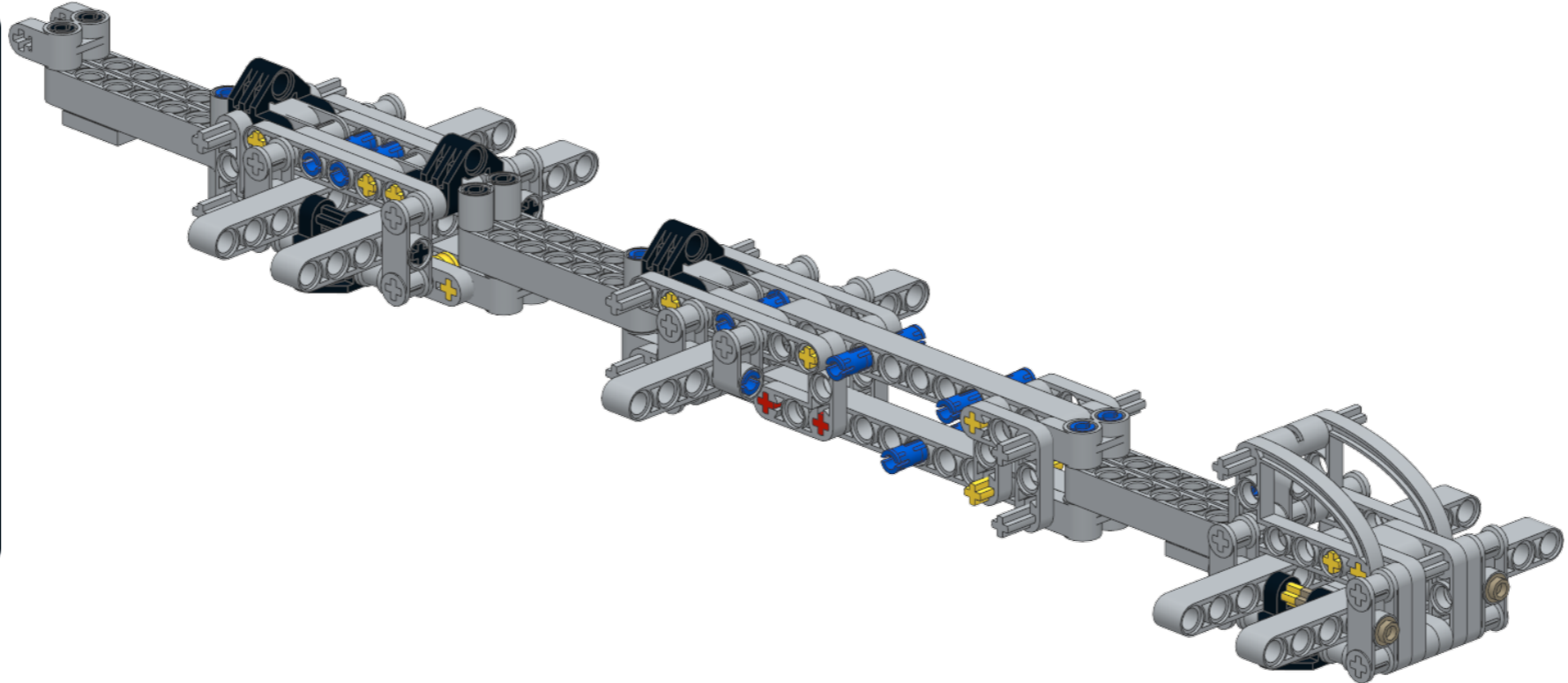
22

- 8x 3
- 4x
- 4x 4
- 4x

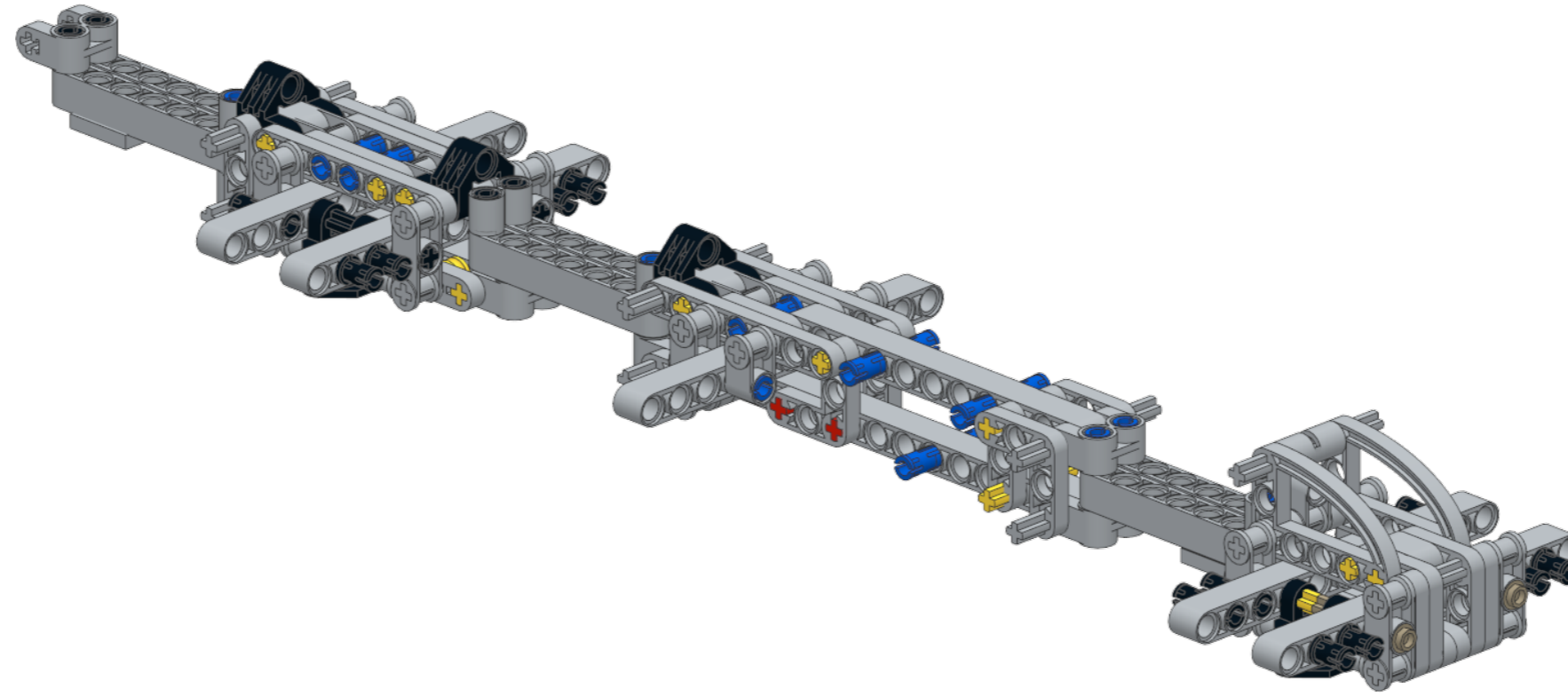


23

- 3
- 2x 3
- 2x 6
- 2x 11
- 4x

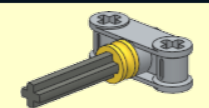
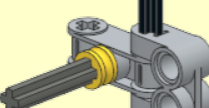




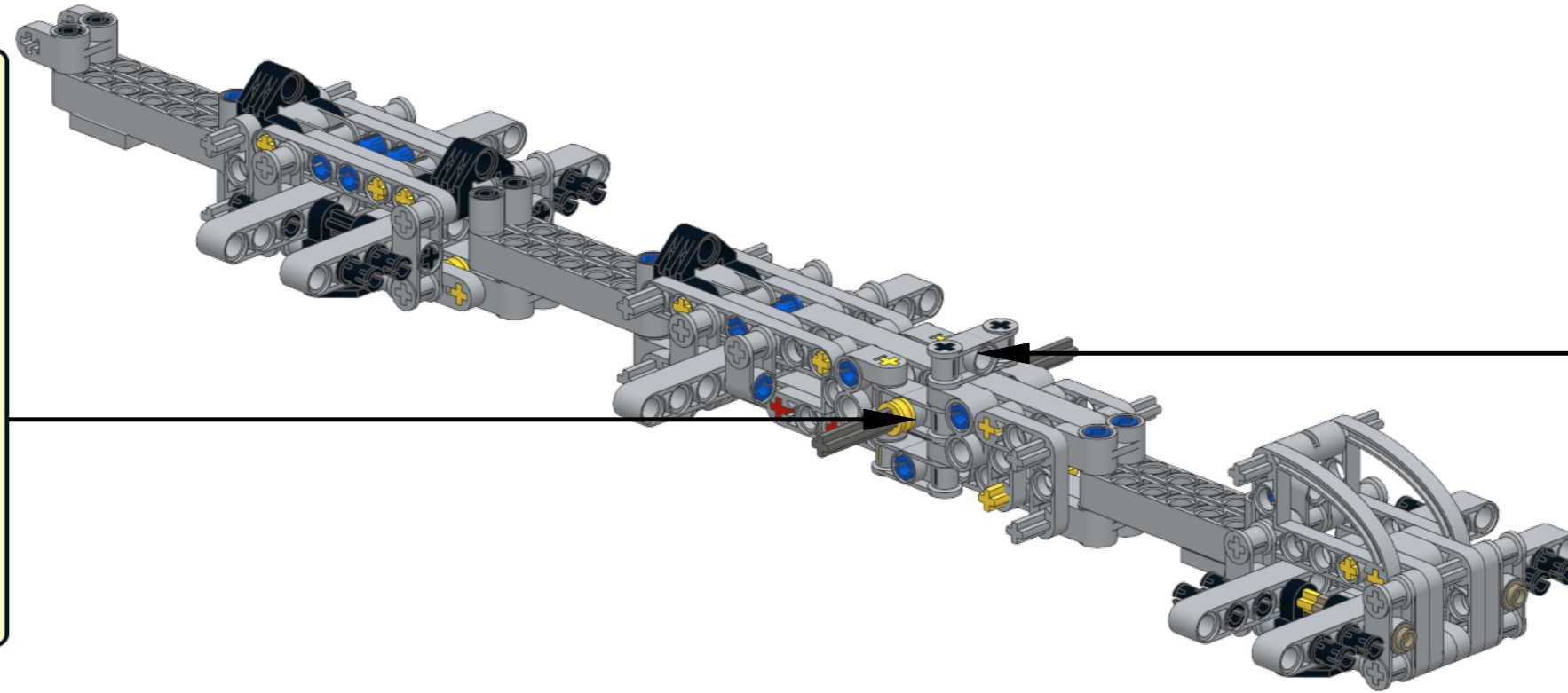
24  14x

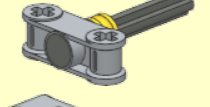
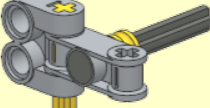



25


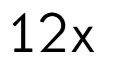
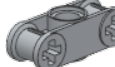
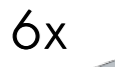











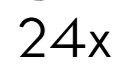

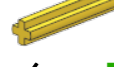



-  2x
- 5x   2x
- 2x   4x  3x
- 2x  2x

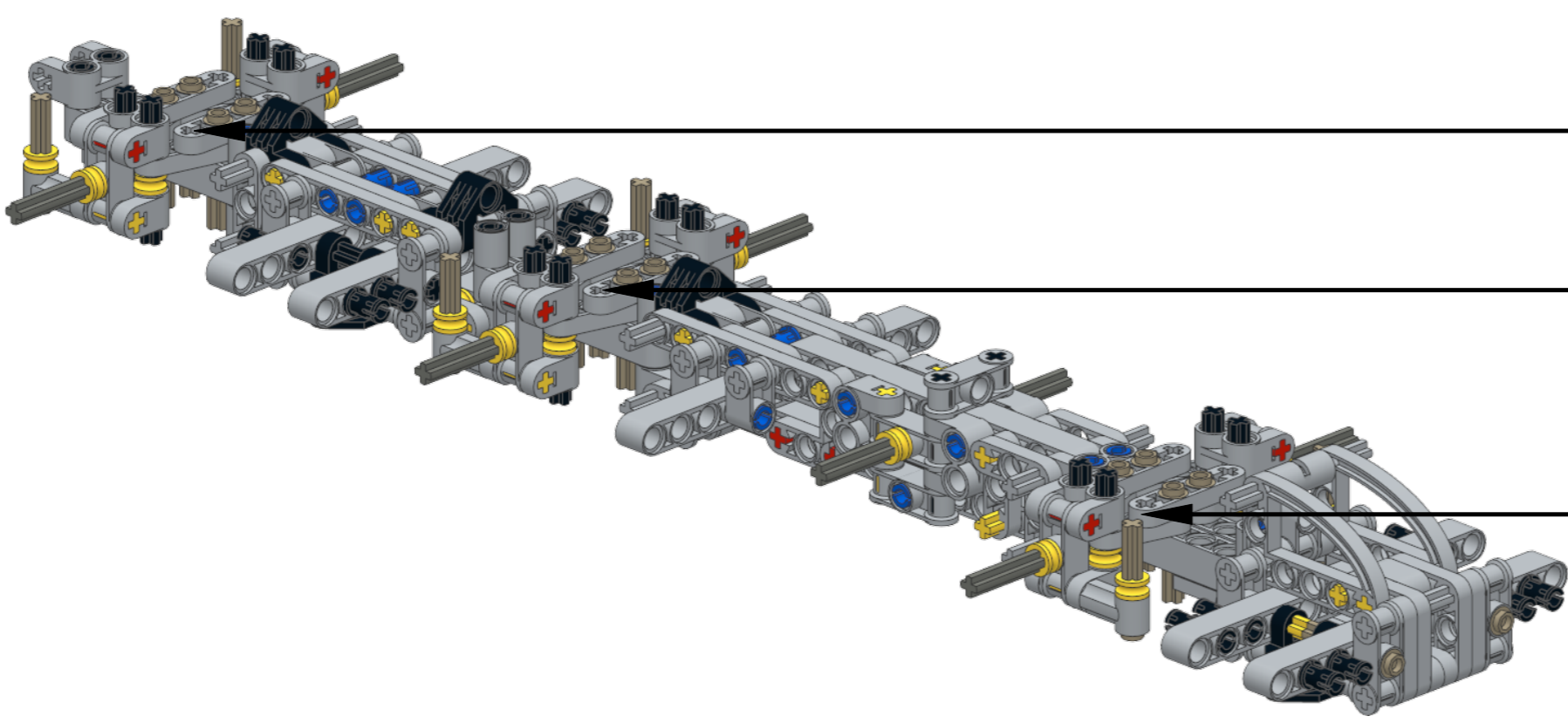
- 
- 
- 
- 

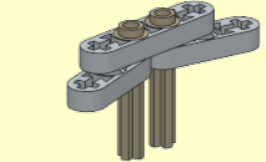
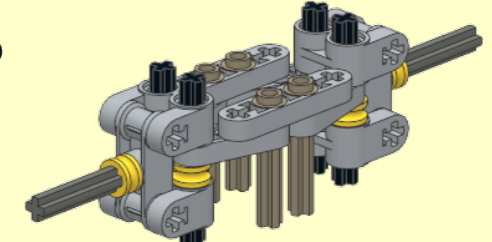
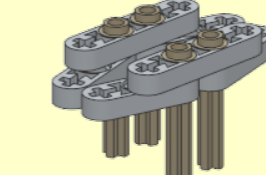
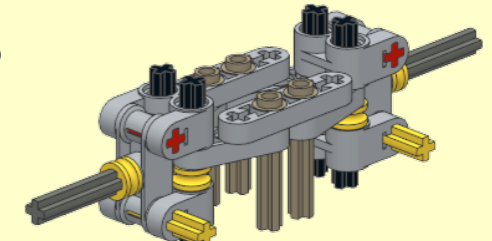
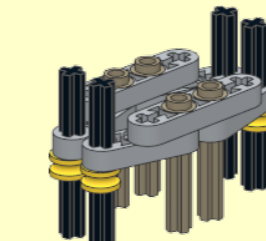
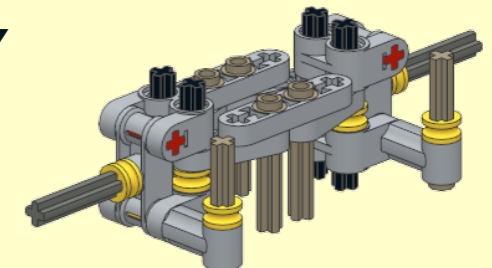
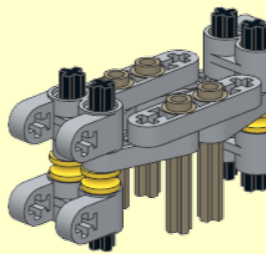


- 
- 
- 



26

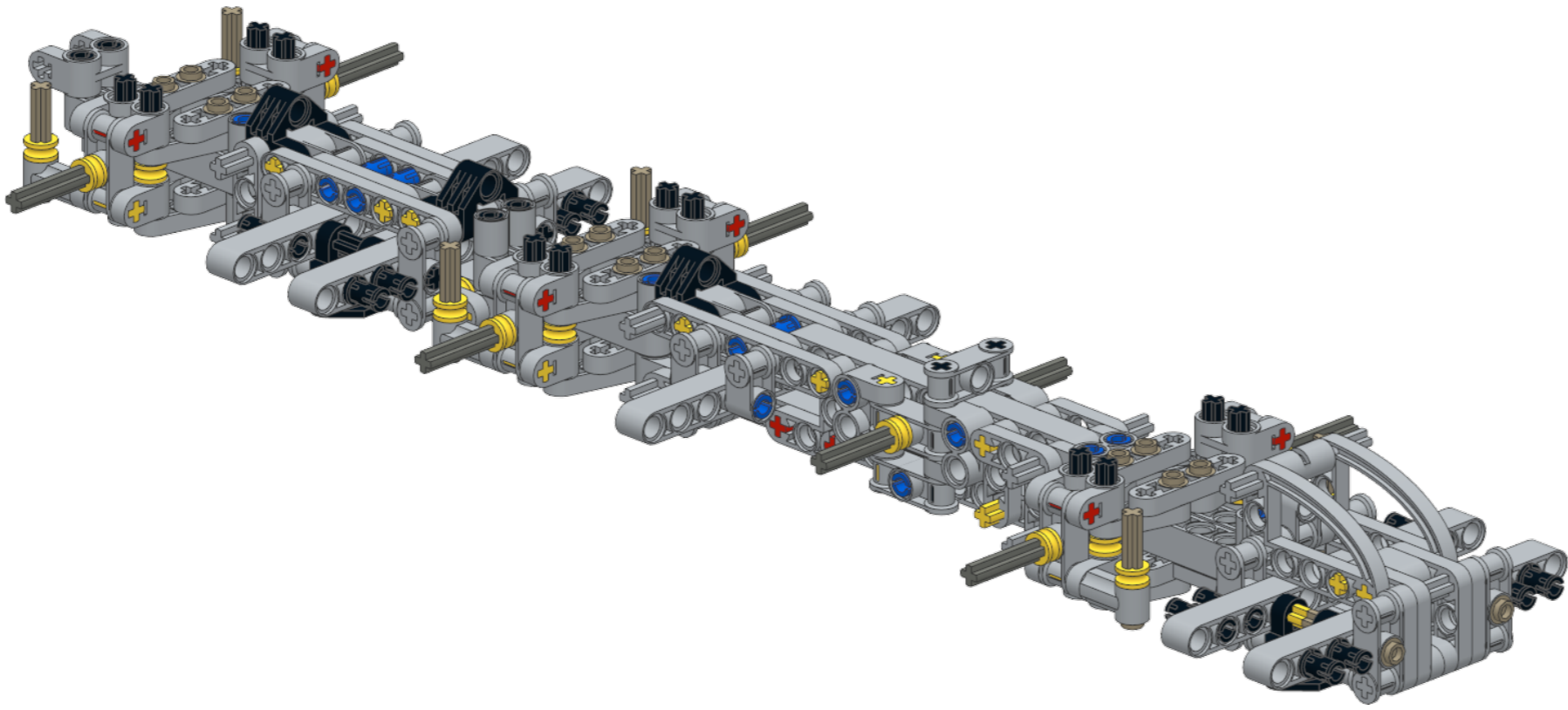
- 12x 
- 6x 
- 6x 
- 6x 
- 12x 
- 6x 
- 6x 
- 12x 
- 6x 
- 18x 
- 6x 
- 12x 
- 12x 
- 24x 
- 4 
- 3 
- 6x 
- 6x 
- 3 
- 2 
- 6x 



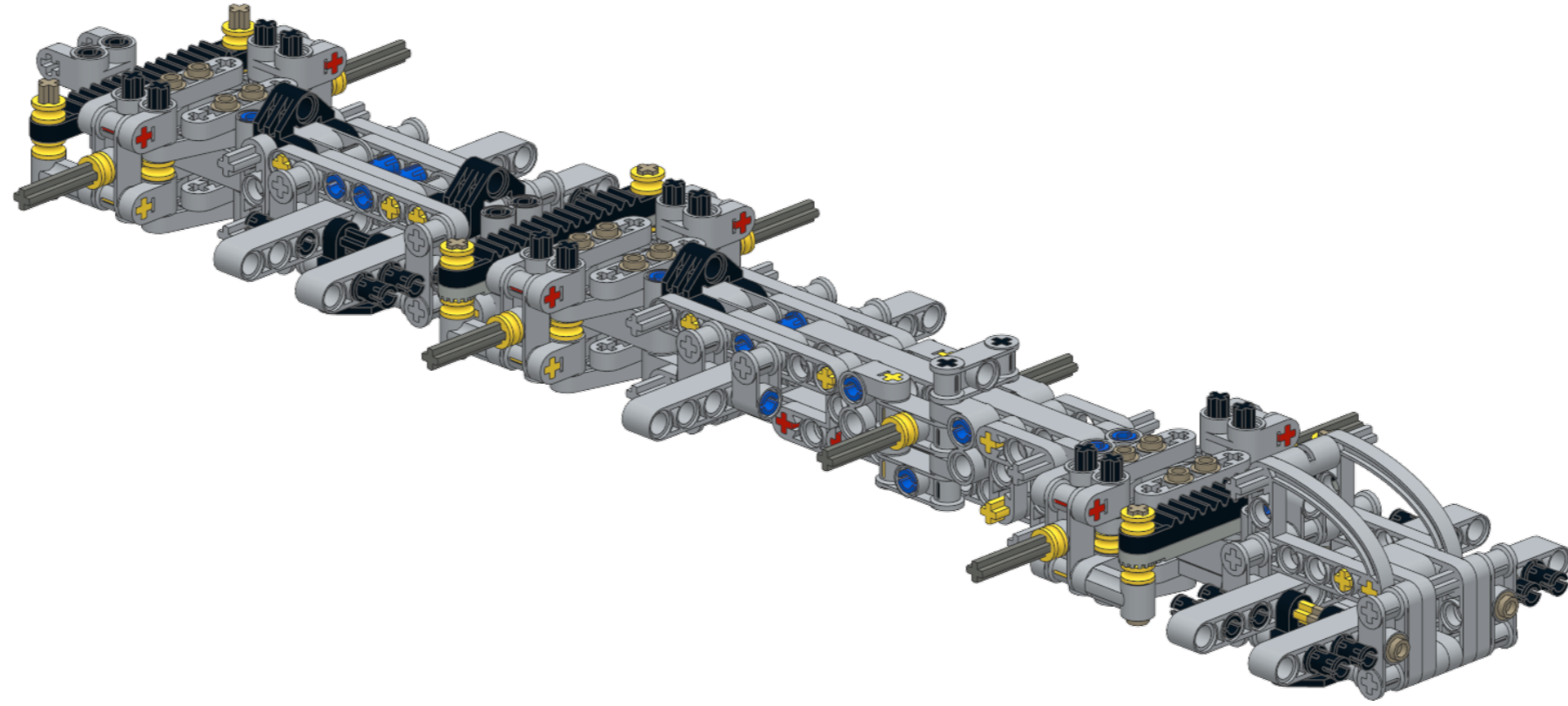
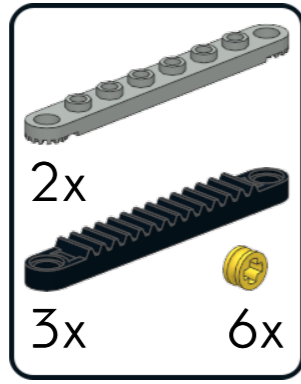
1		5	
2		6	
3		7	
4		x3	

27

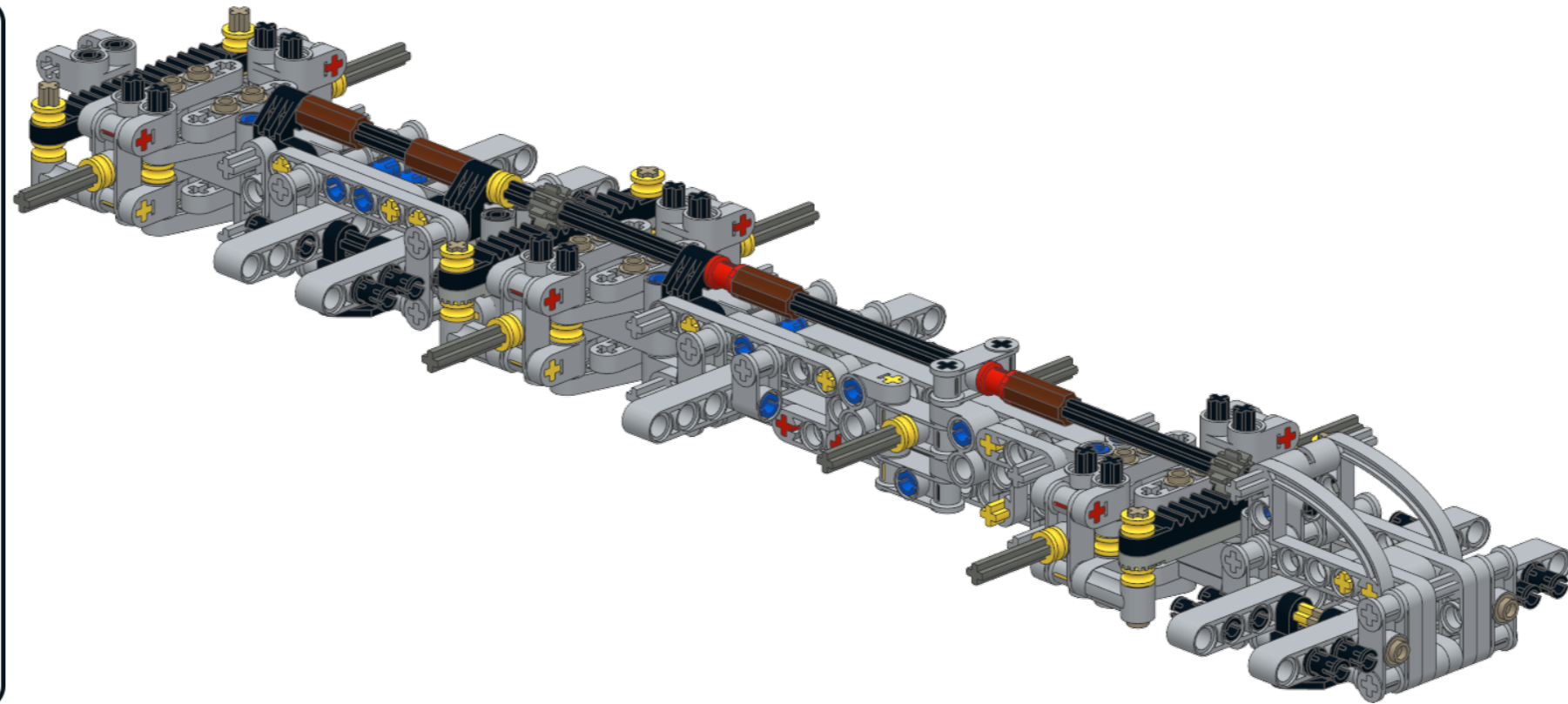
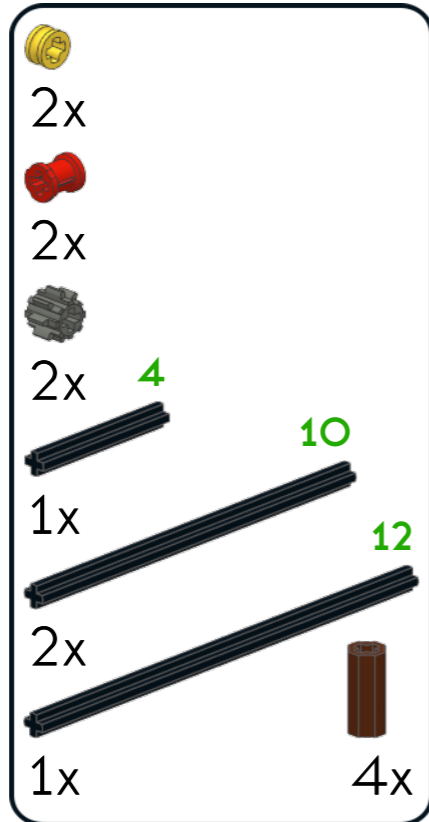
- 12x 
- 6x 



28

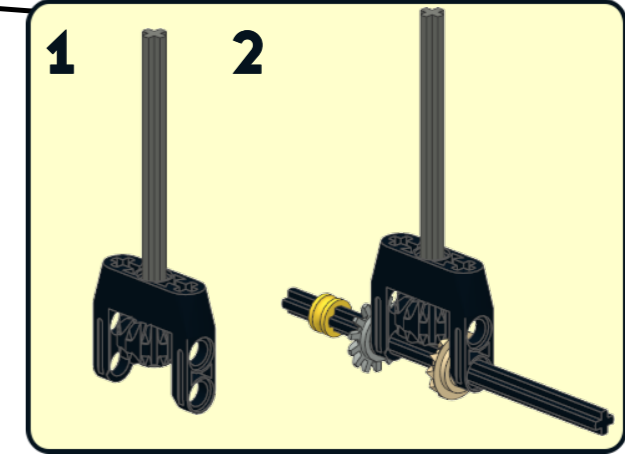
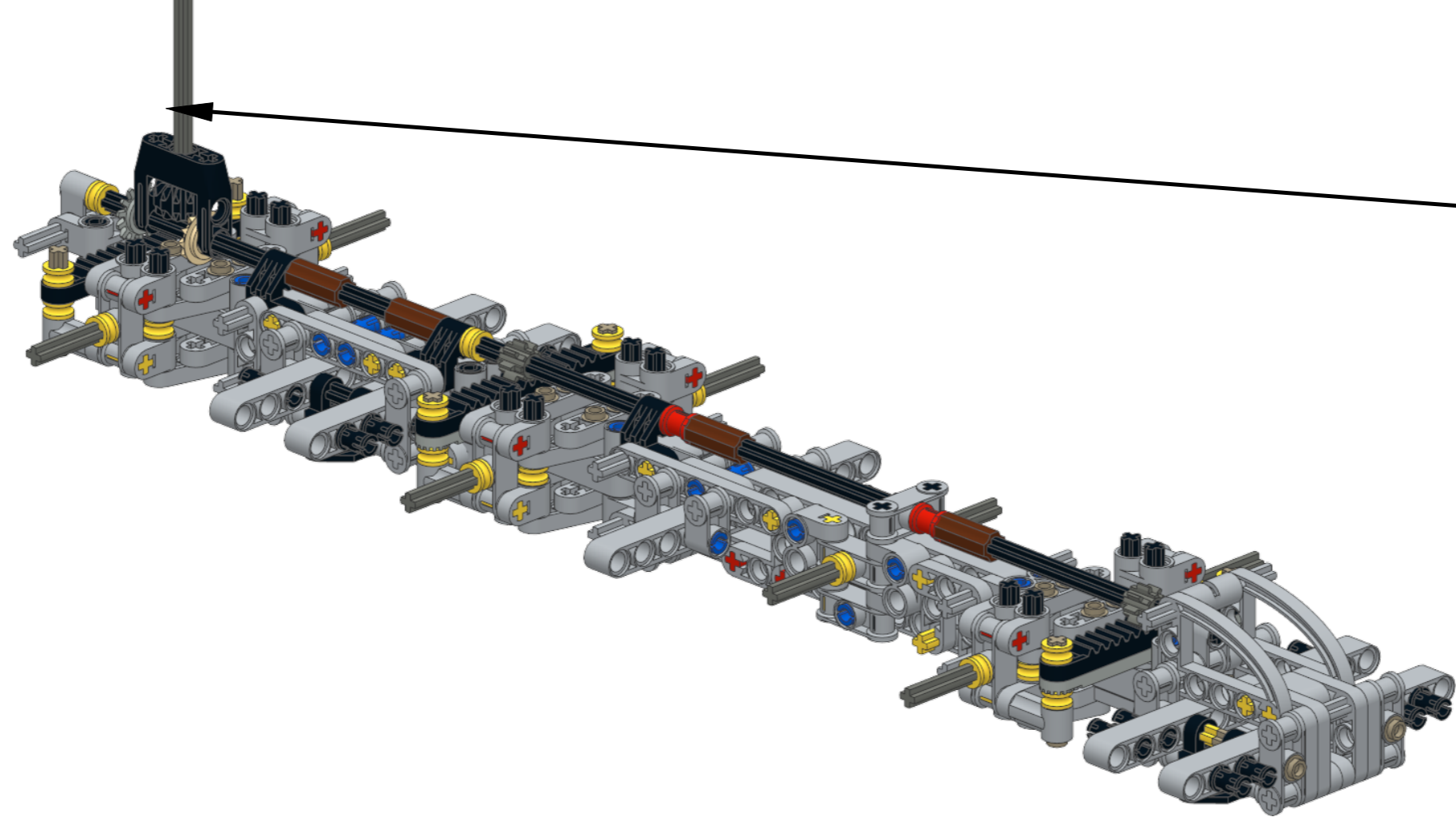


29

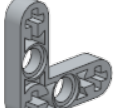
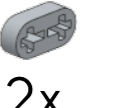



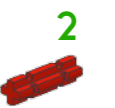













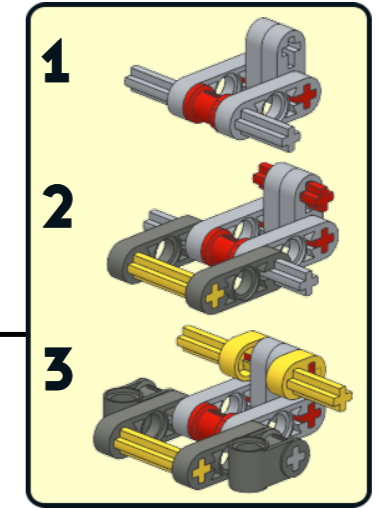
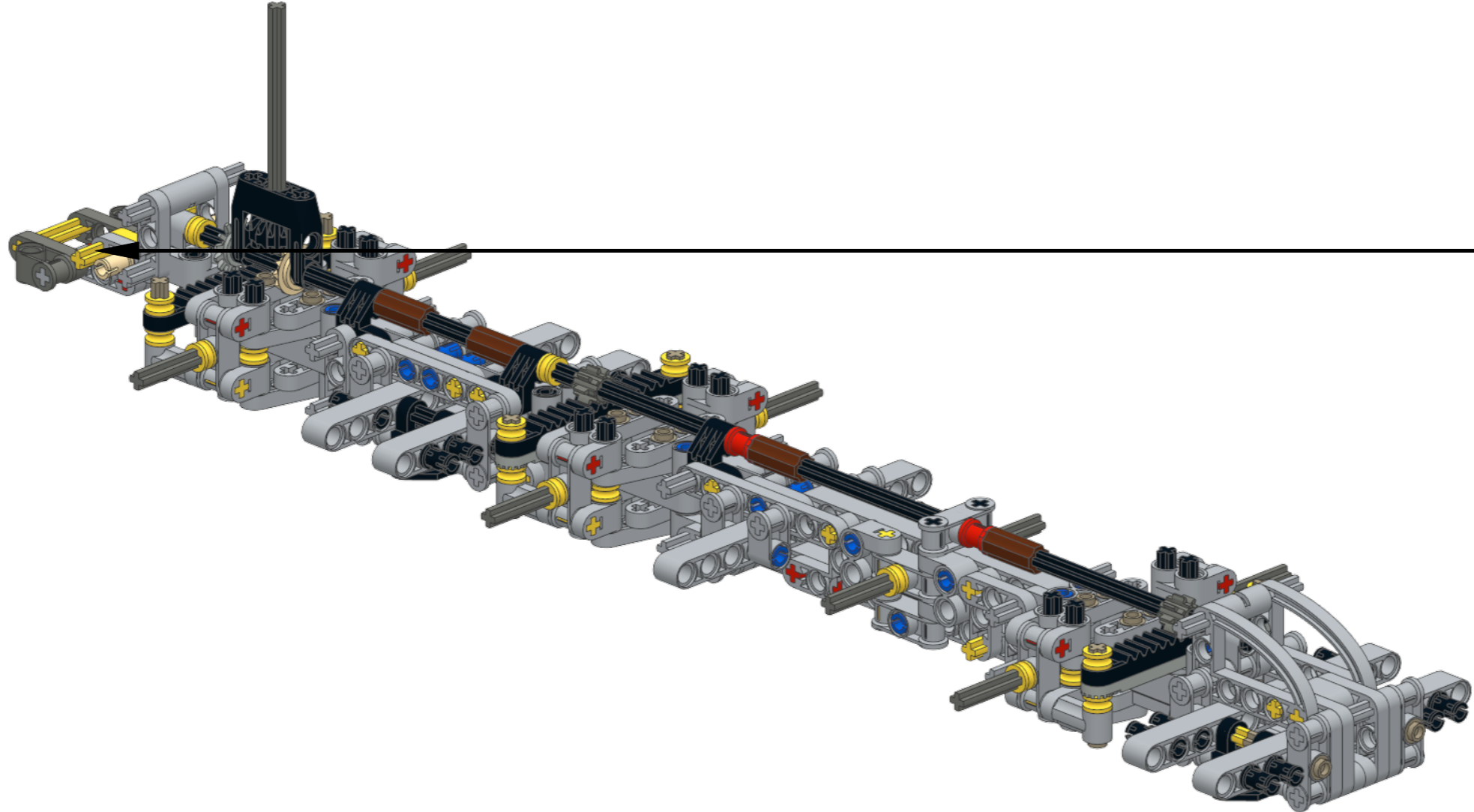
30

- 1x  1x 
- 1x  1x 
- 1x  1x 
- 1x  1x 
- 1x  1x 
- 1x  1x 
- 1x  1x 



31

- 2x  2x 
- 2x  2x 
- 2x  2x 
- 2x  2x 
- 1x  1x  1x 
- 1x  1x  1x 
- 2x  2x  2x 

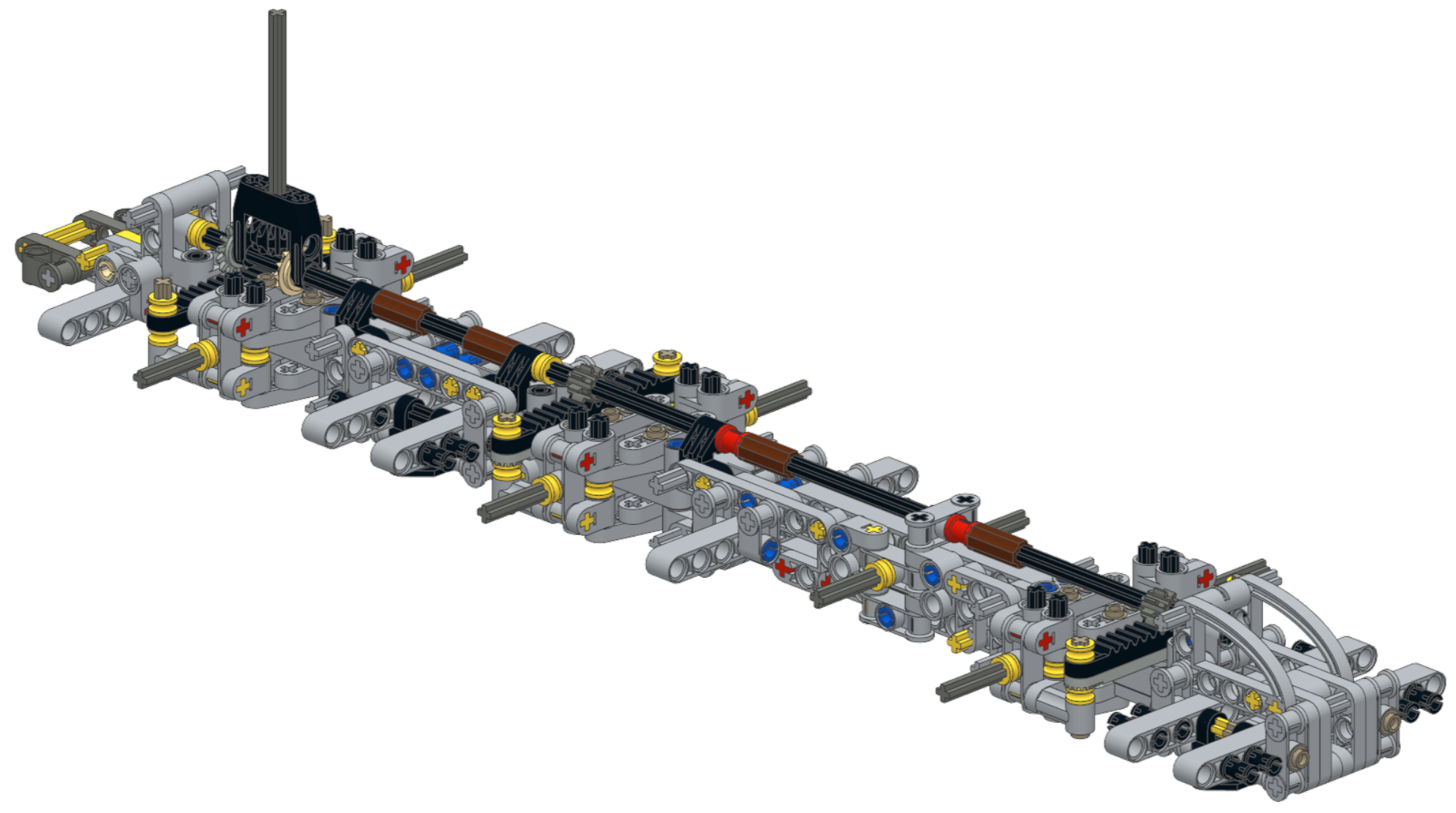
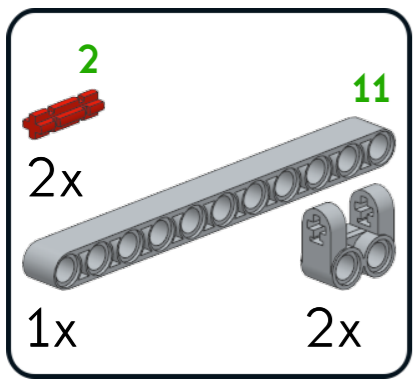


32

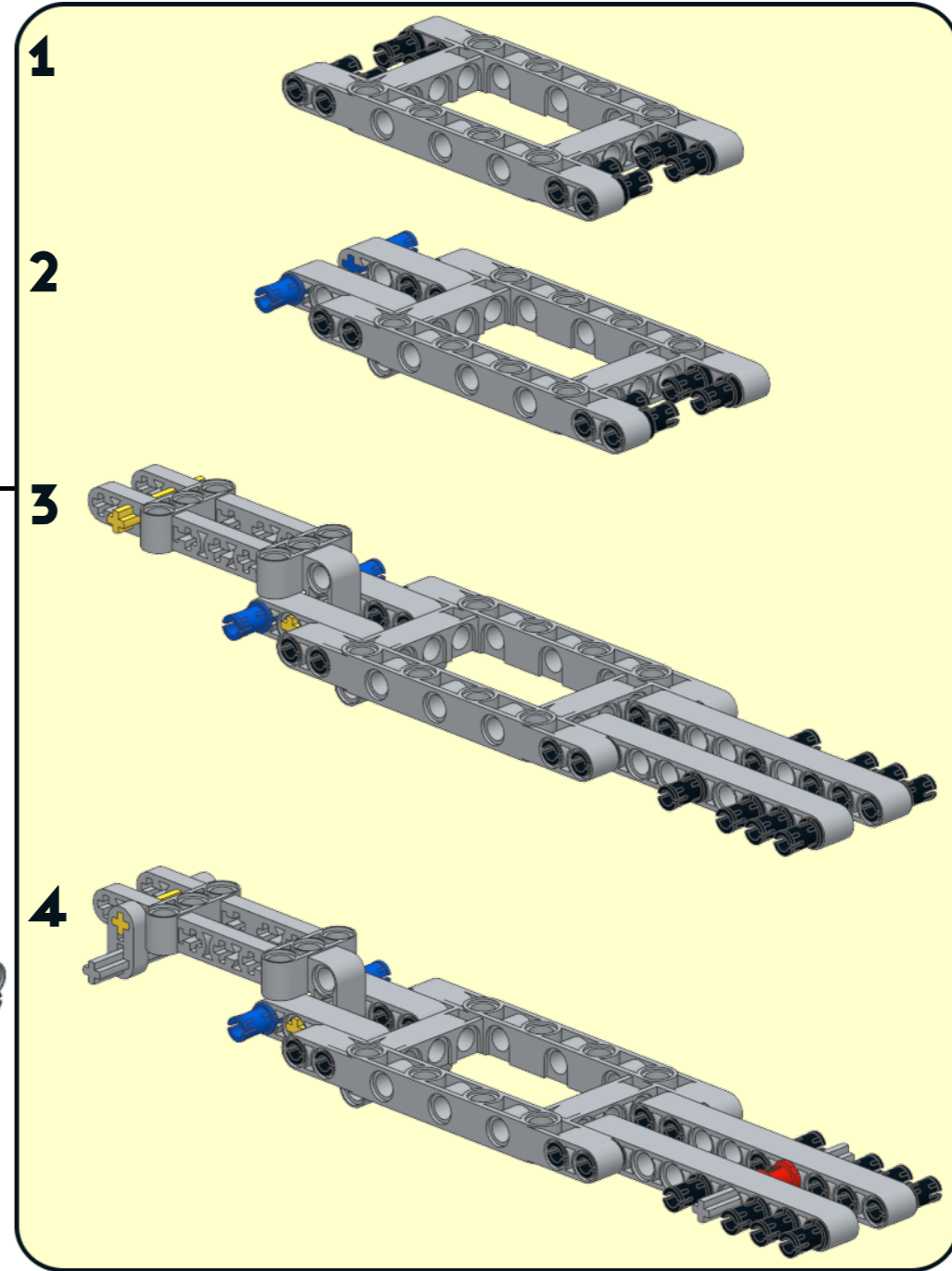
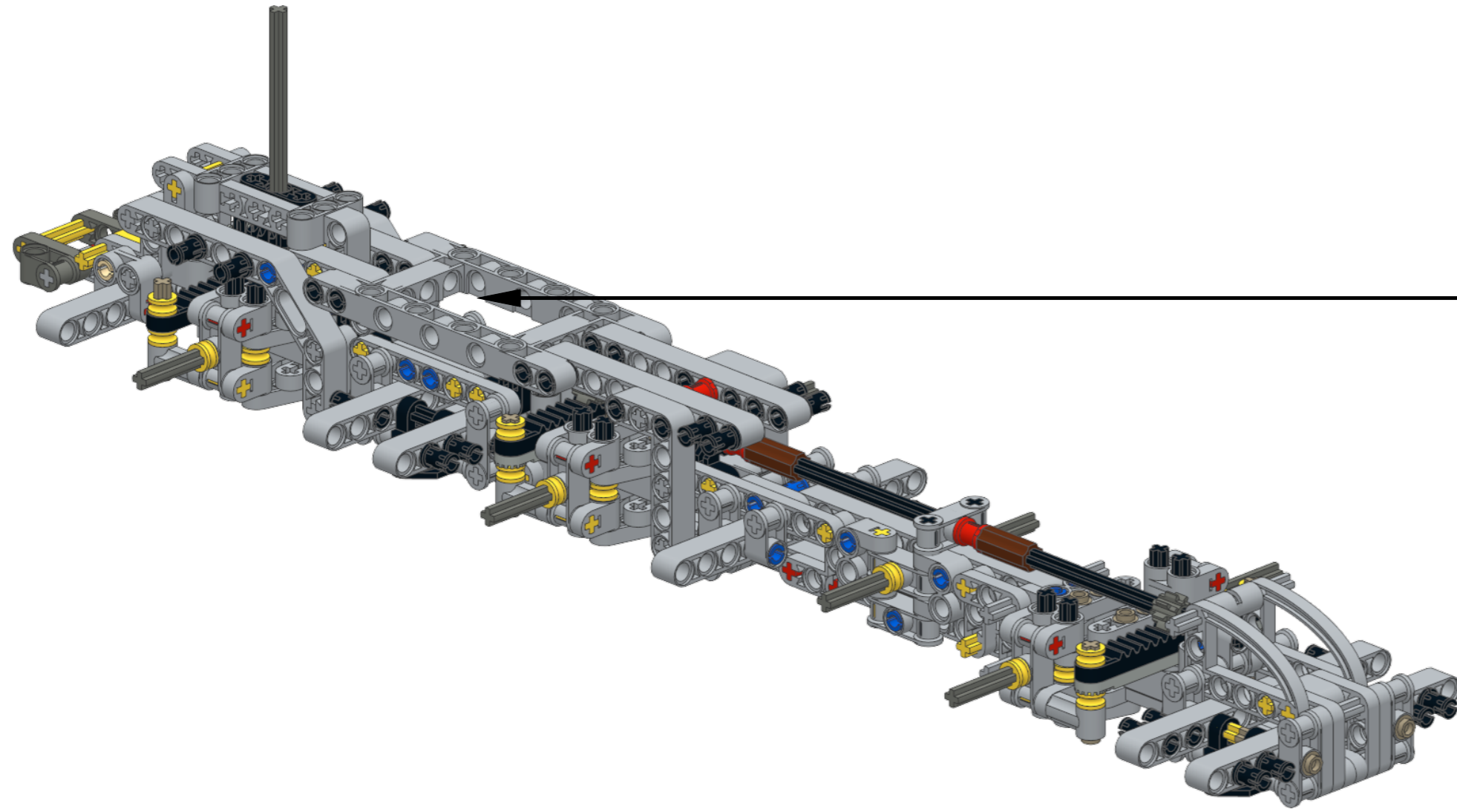
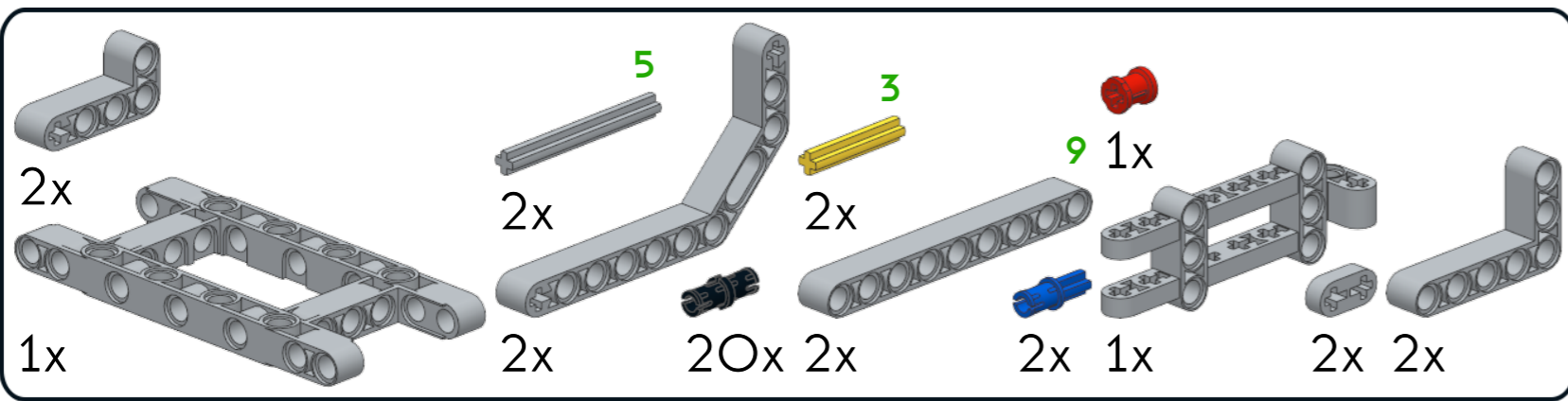
2
2x

11
1x

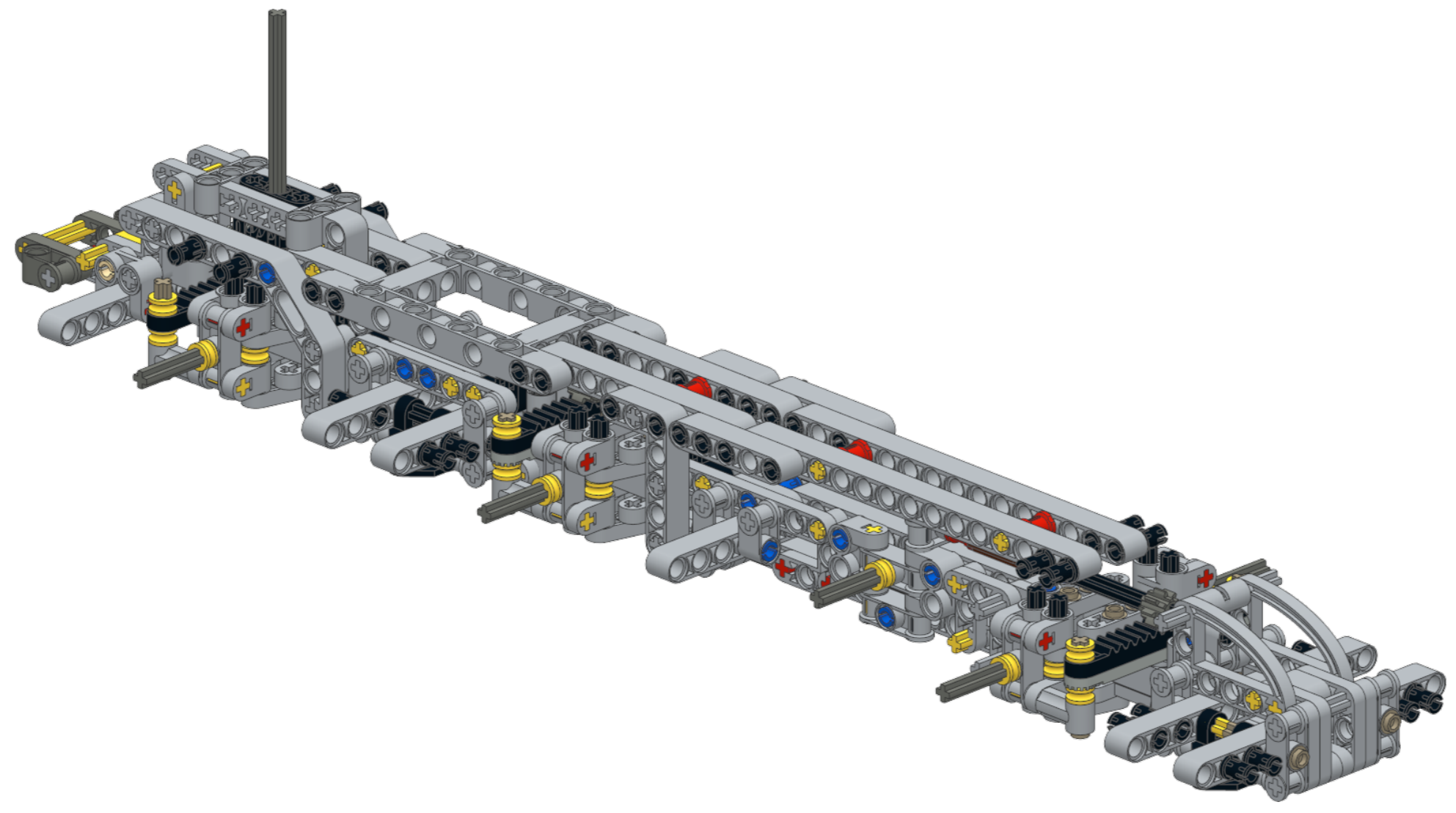
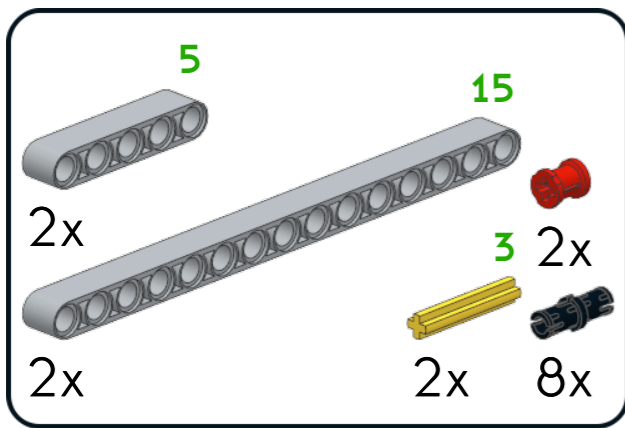
2x




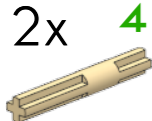
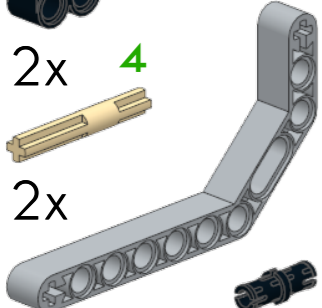
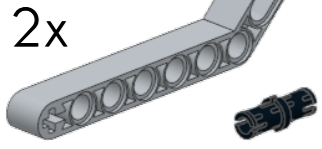

33

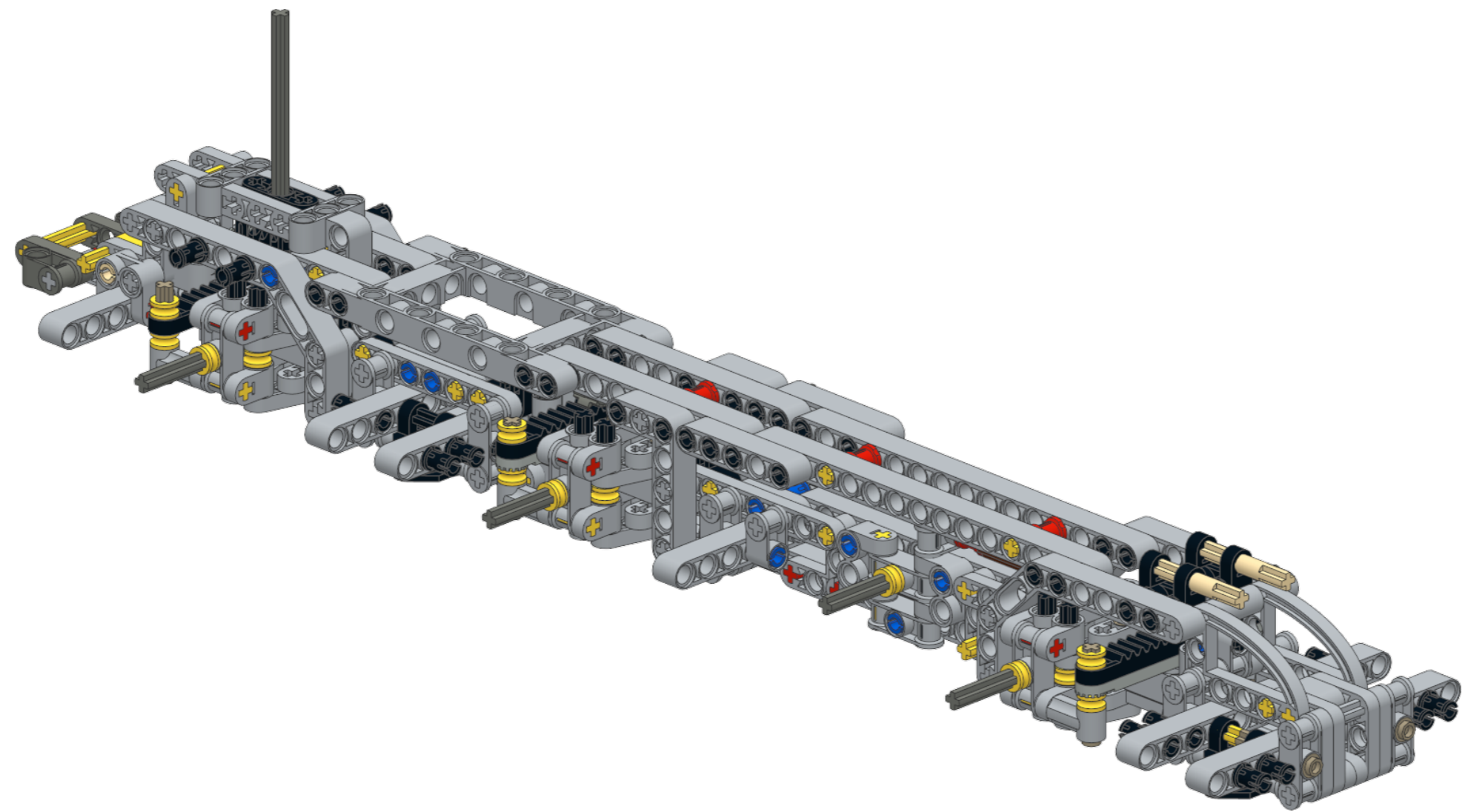


34



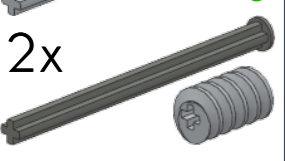


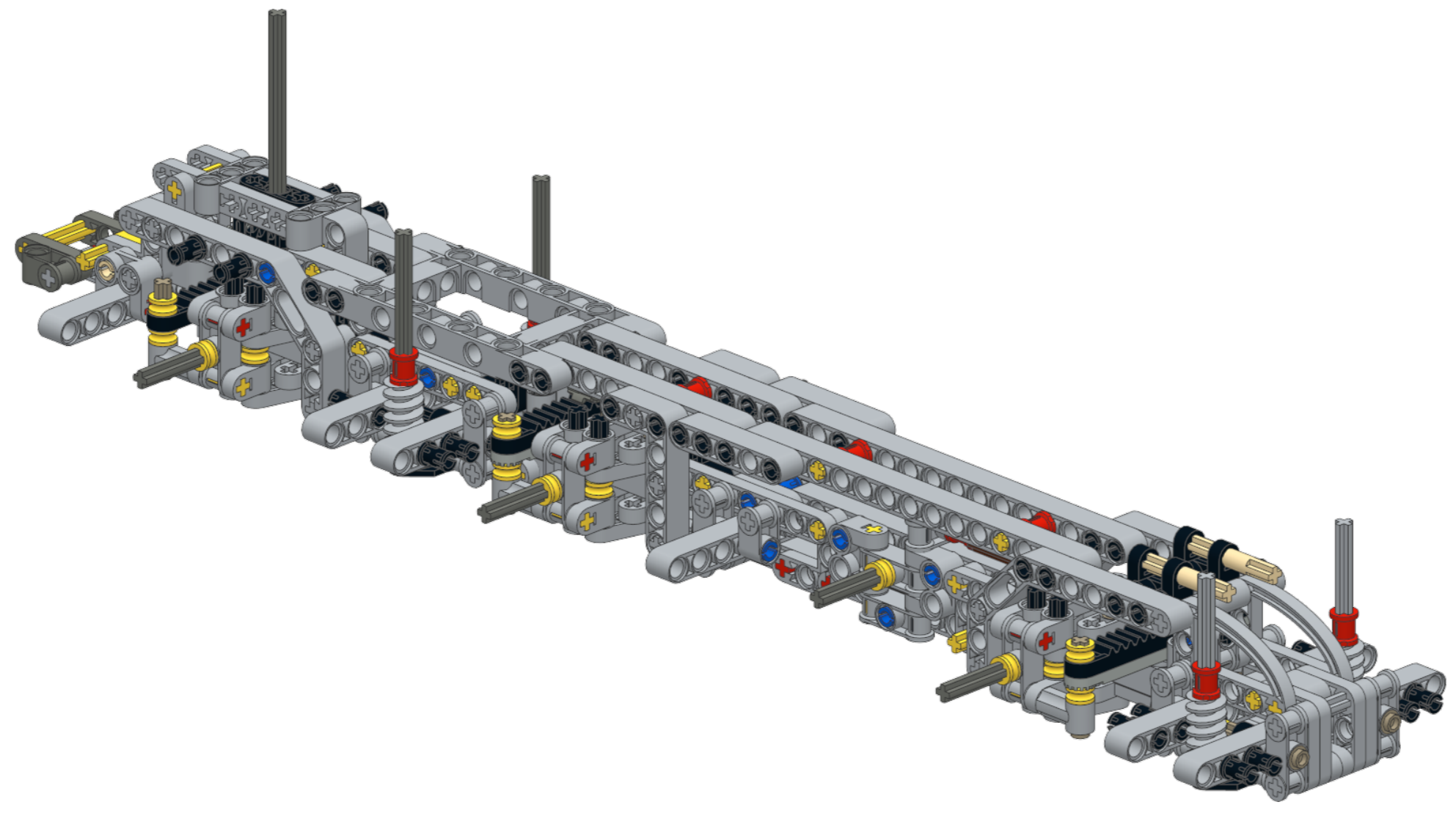
35

- 2x 
- 4 
- 2x 
- 2x 
- 4x 



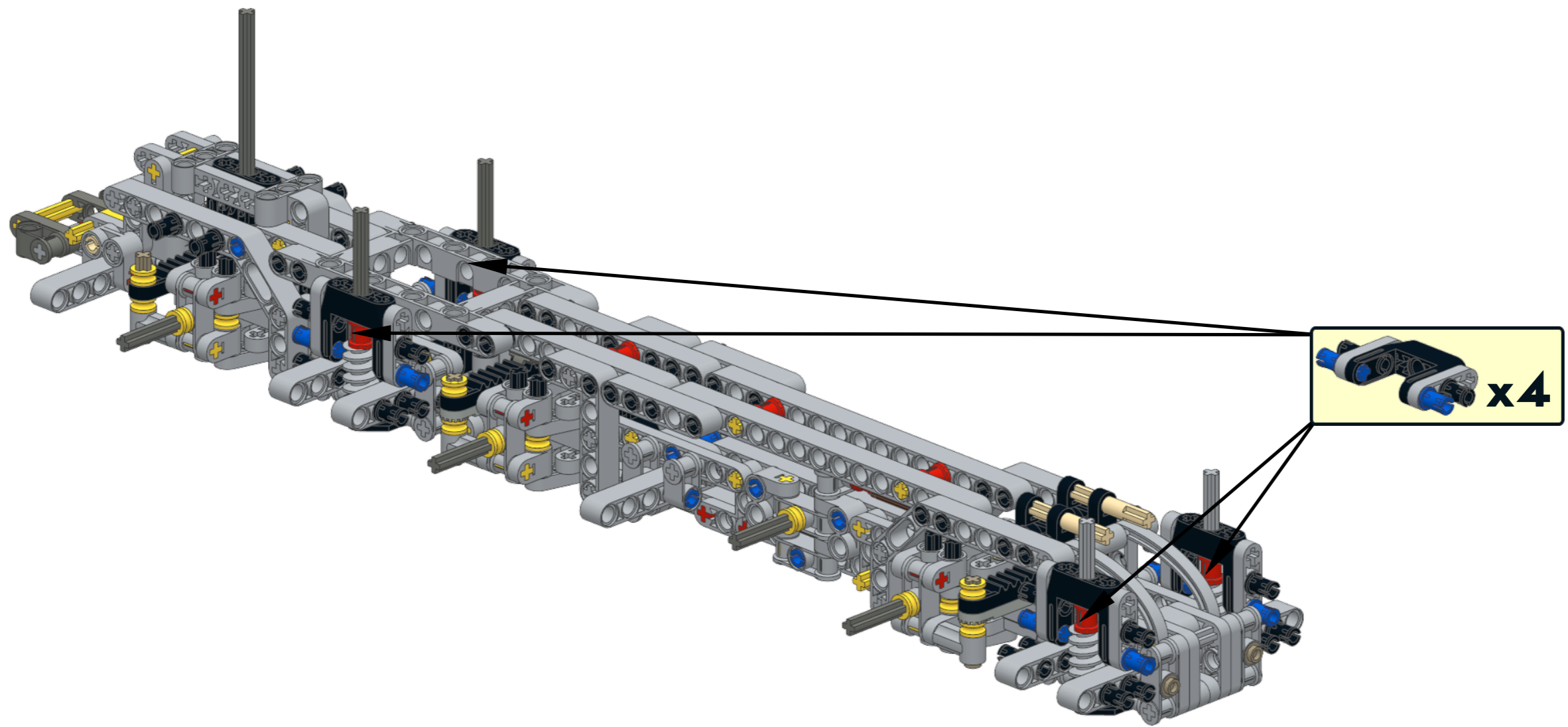
36

- 4x  7
- 2x  8
- 2x  4x



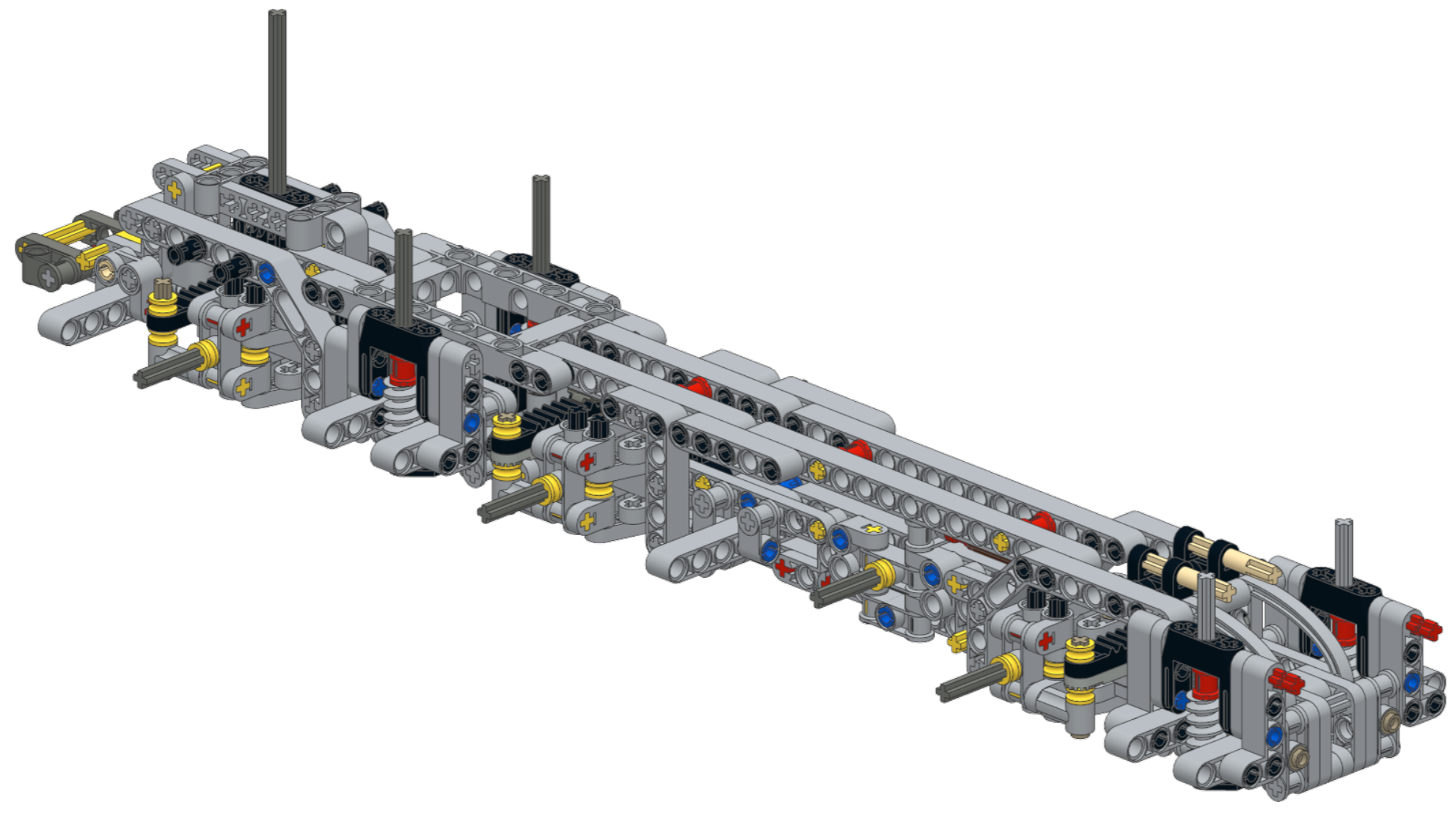
37

- 8x 
- 8x 
- 4x 
- 8x 
- 8x 

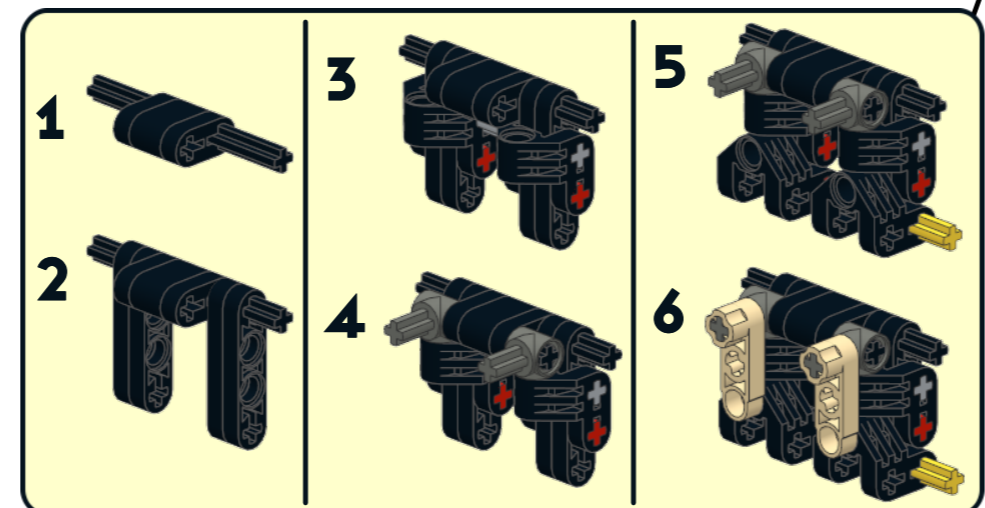
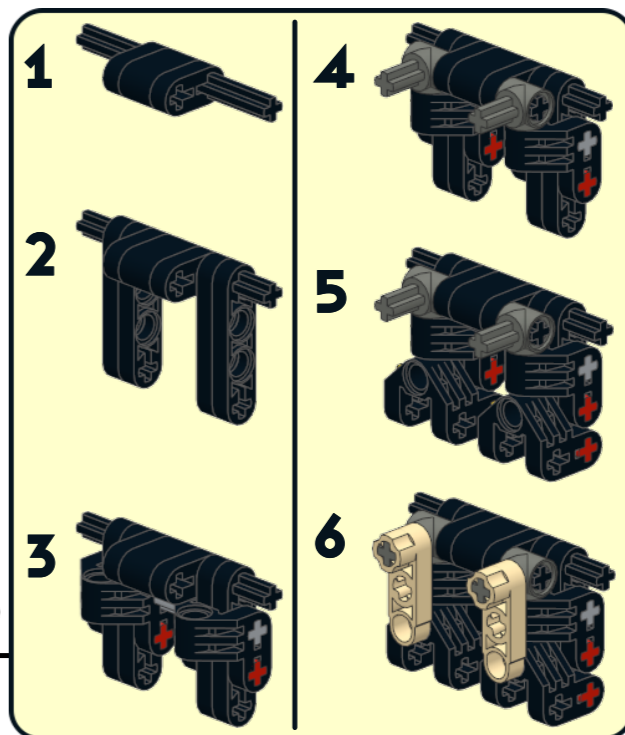
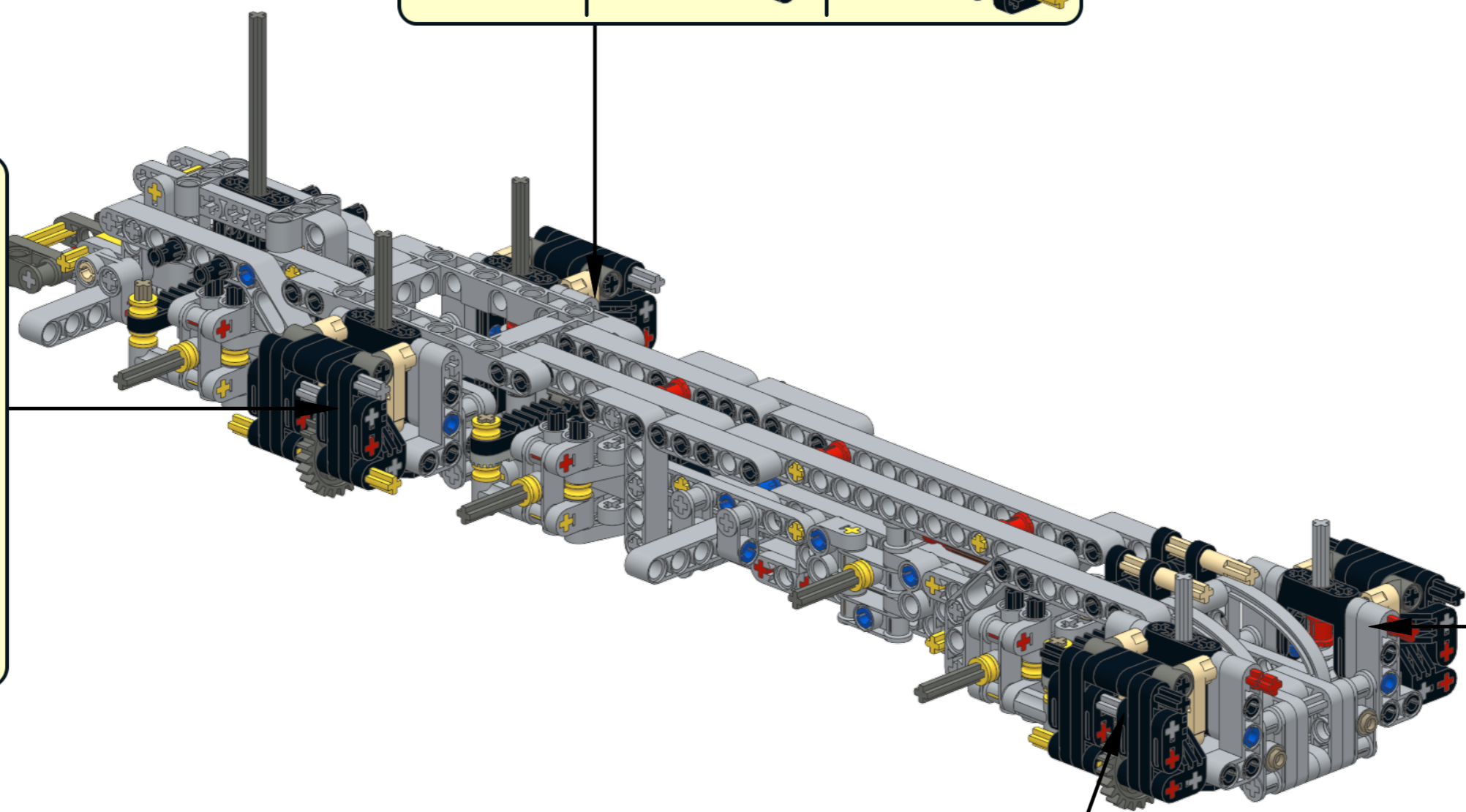
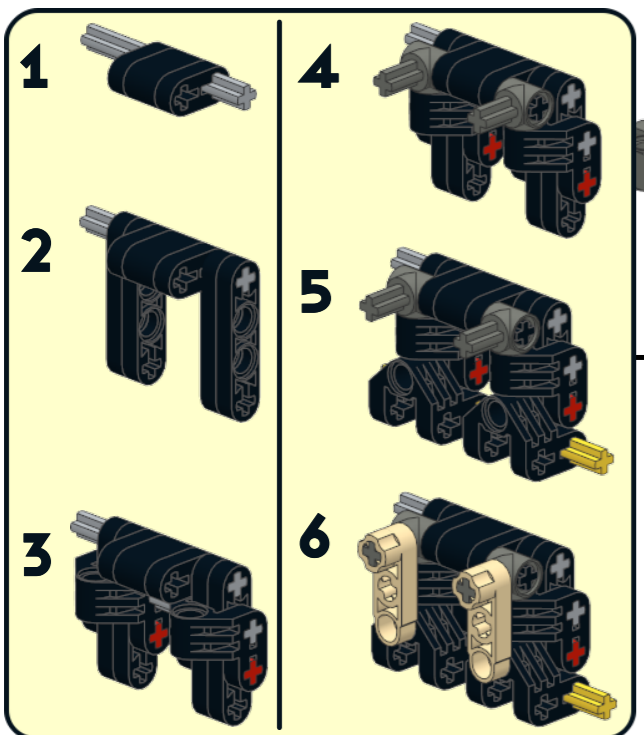
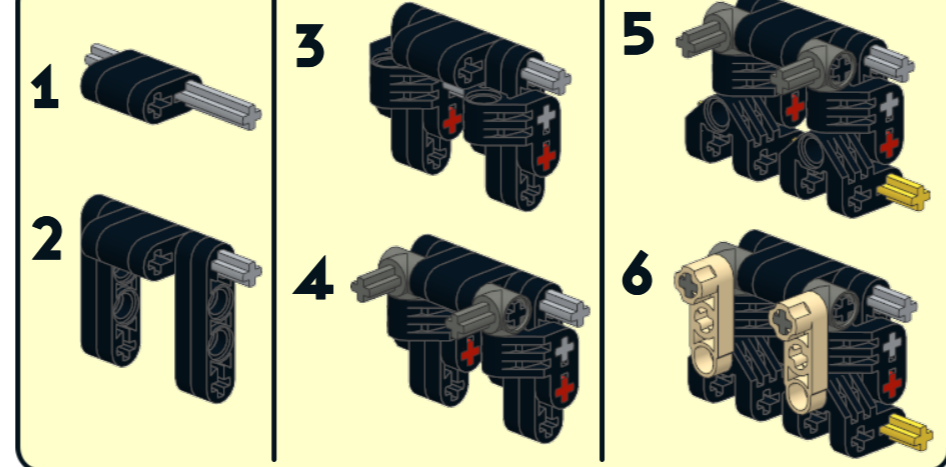


38

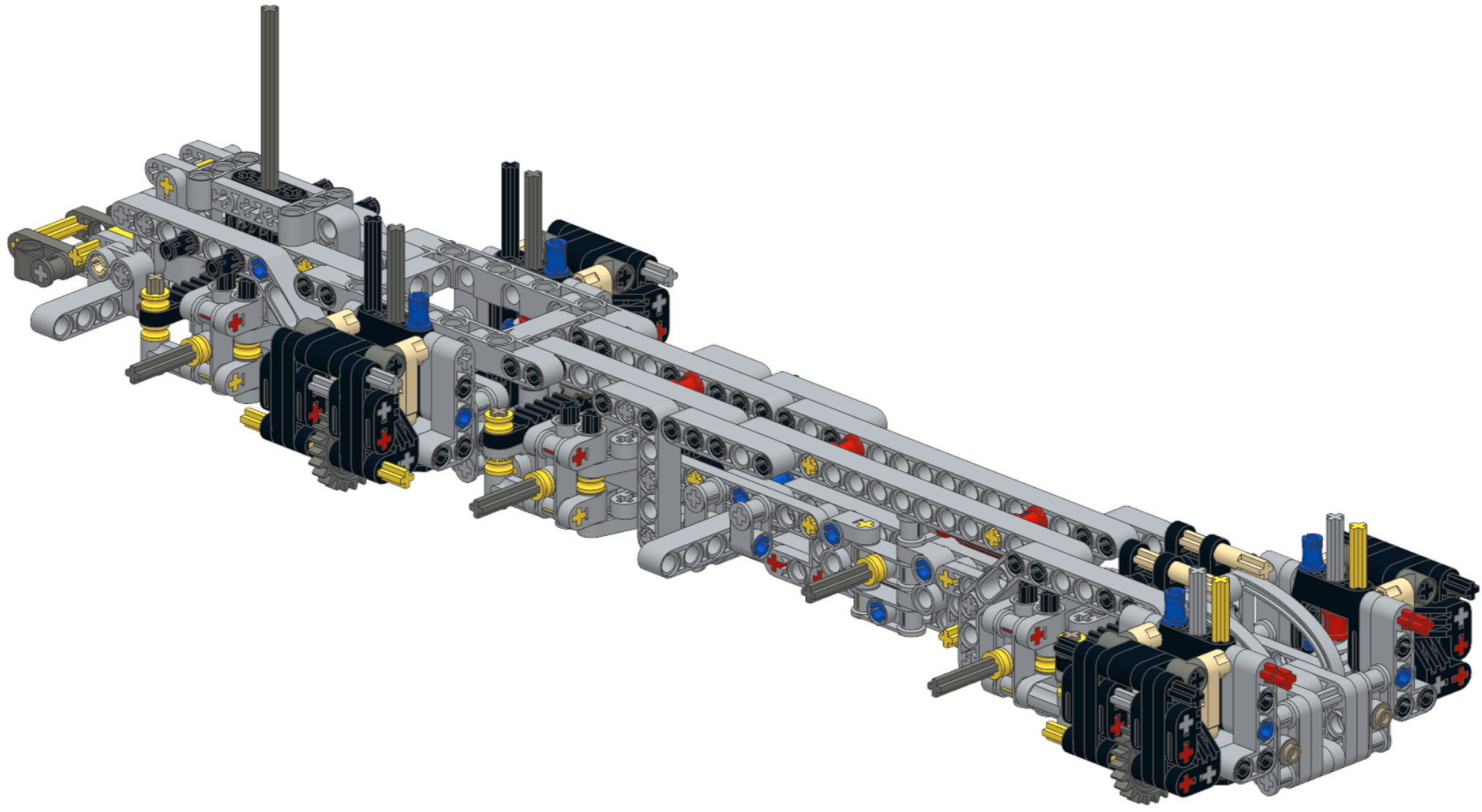
- 2
- 2x 3
- 2x
- 6x



- 4x 4
- 10x 5
- 10x 6
- 2x 16x
- 10x 2
- 8x 3
- 6x 8x
- 4x 2
- 8x 8x
- 4x 4x

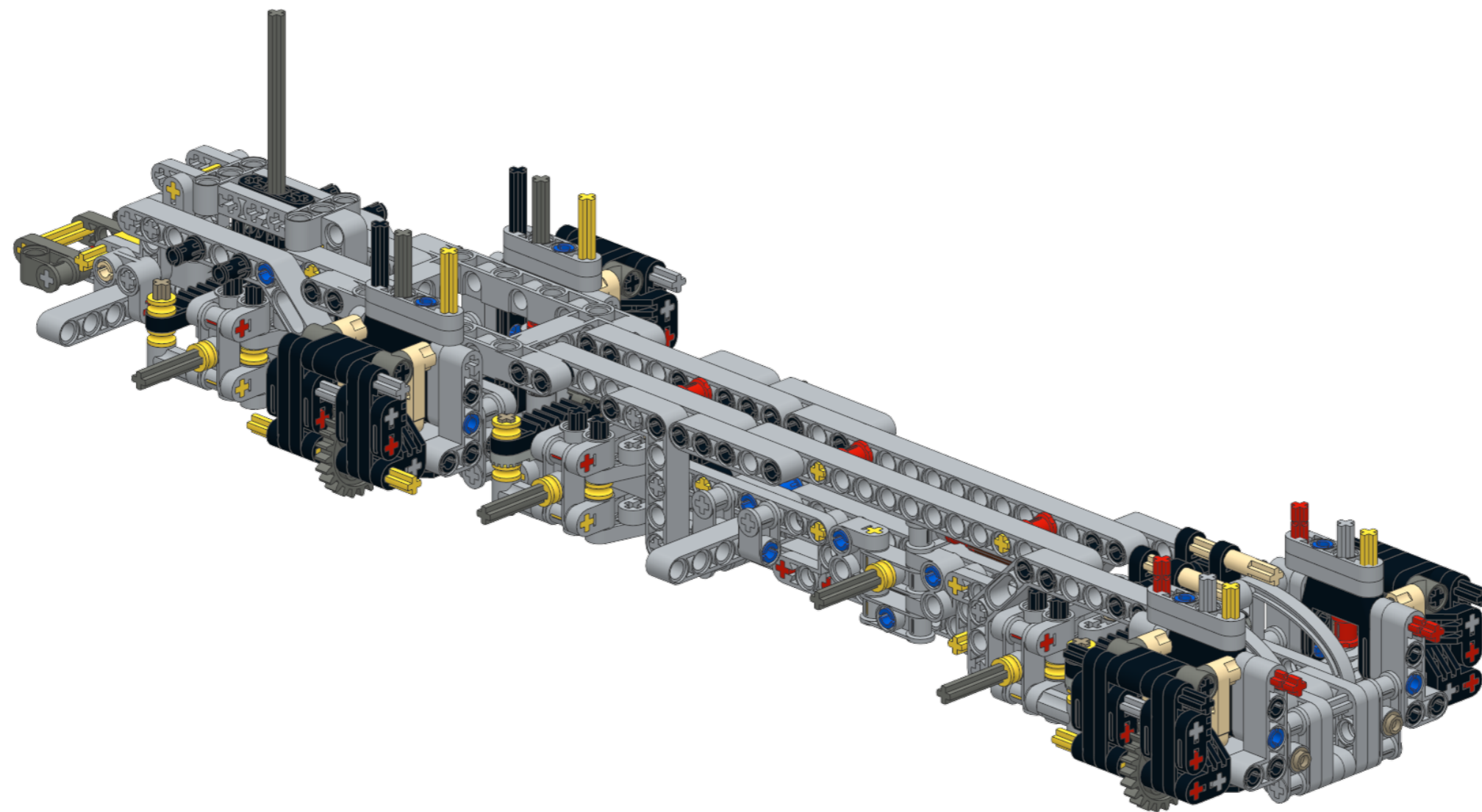



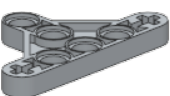
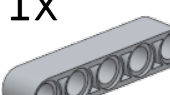









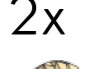




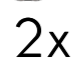



- 40
- 4x 3
 - 2x 4
 - 2x

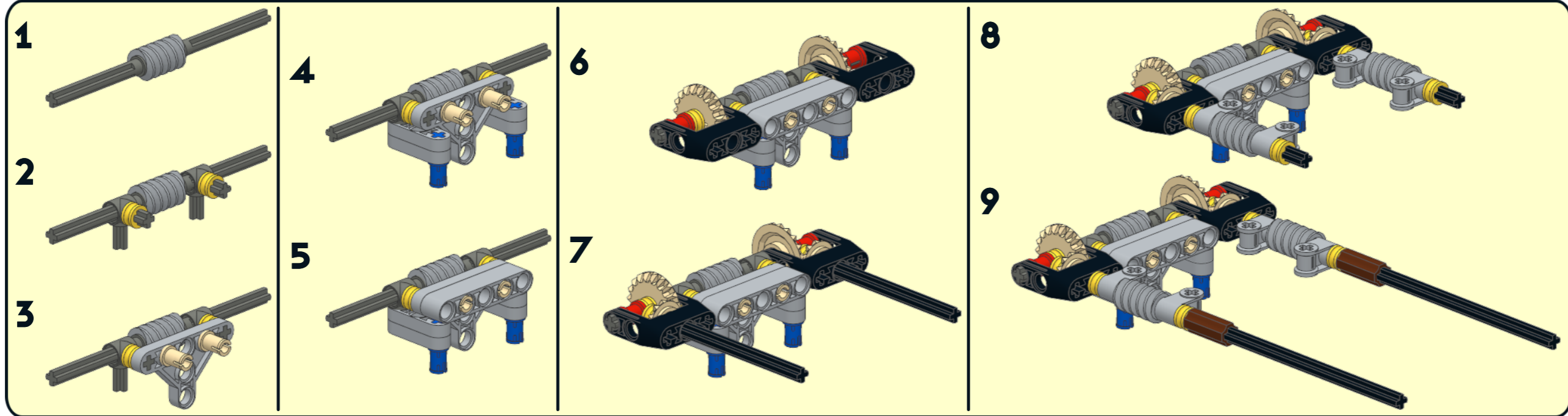
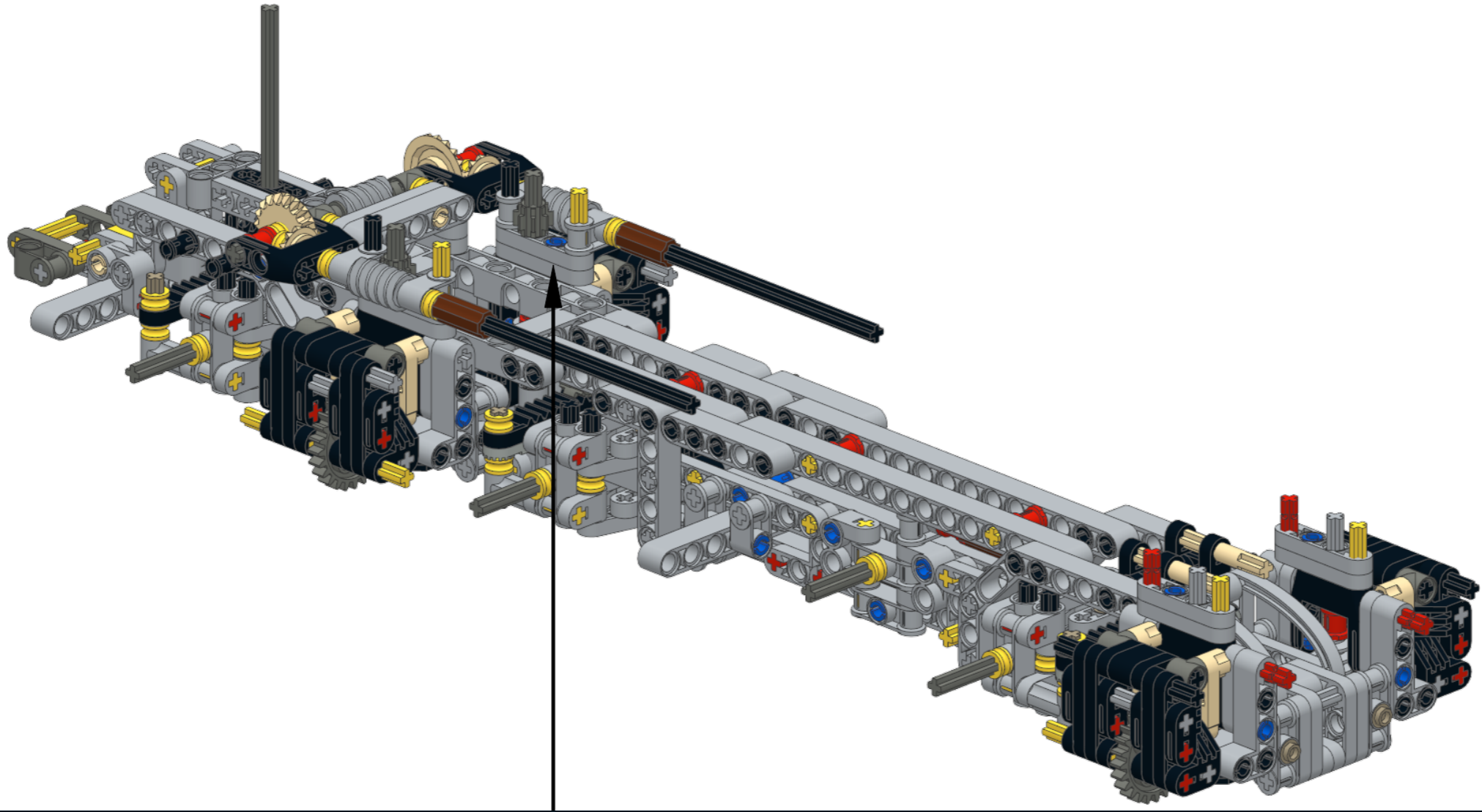


41

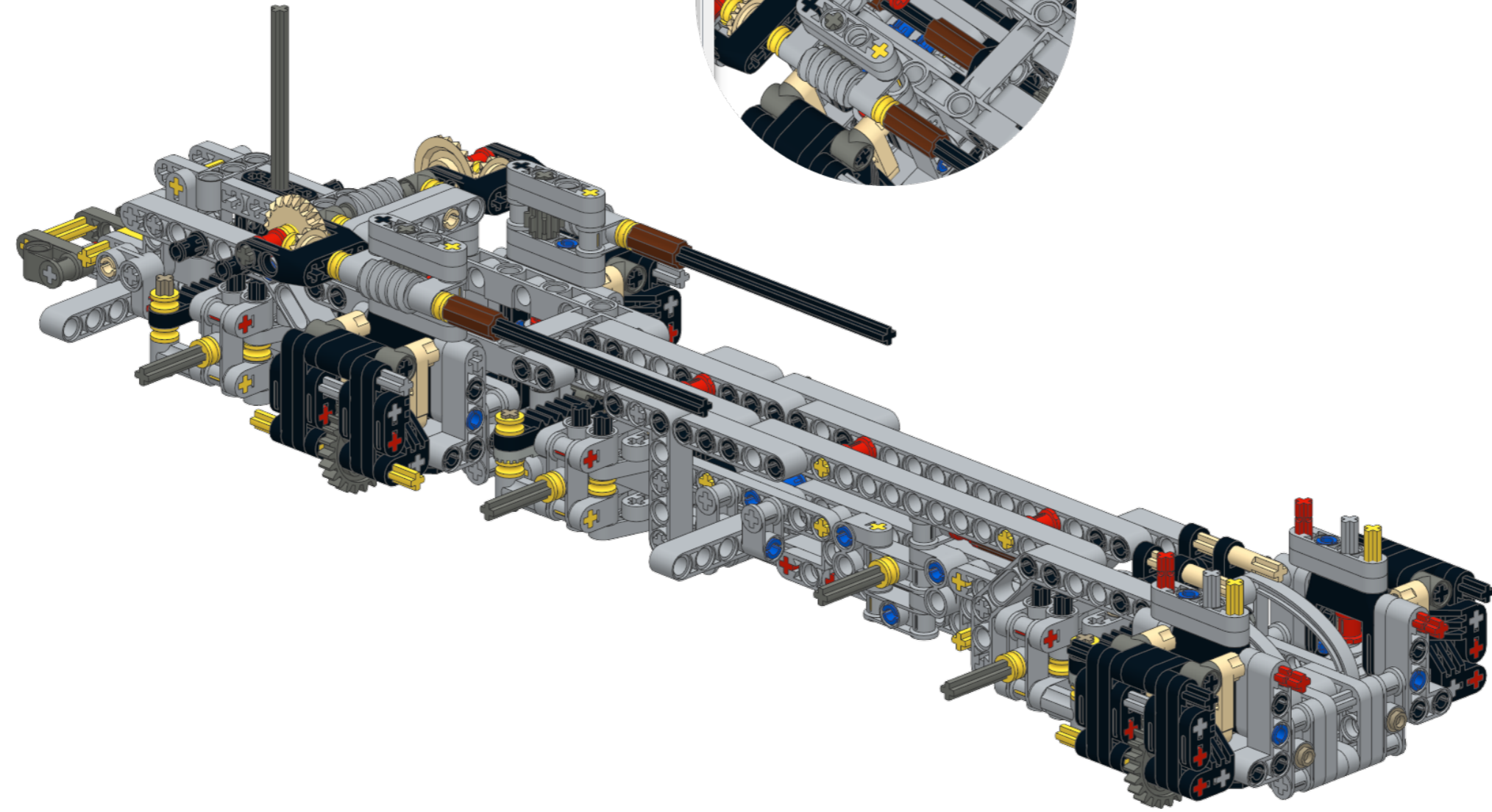
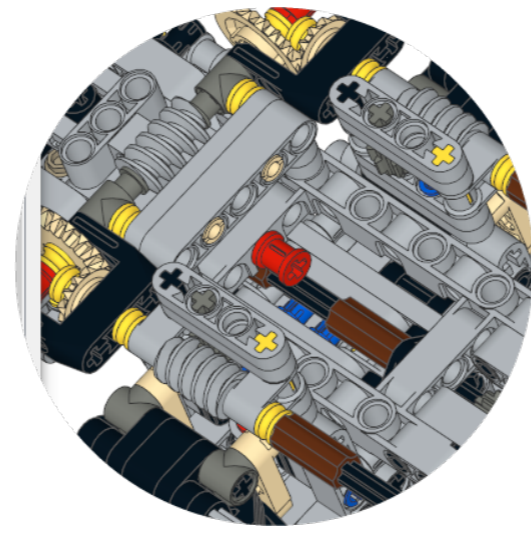
- 2
- 2x 3
- 2x
- 8x



-  2x
-  1x
-  1x
-  2x
-  2x
-  2x
-  2x
-  4x
-  2x
-  2x
-  2x
-  2x
-  2x
-  2x
-  2x
-  2x
-  3x
-  2x
-  4x
-  10x
-  2x

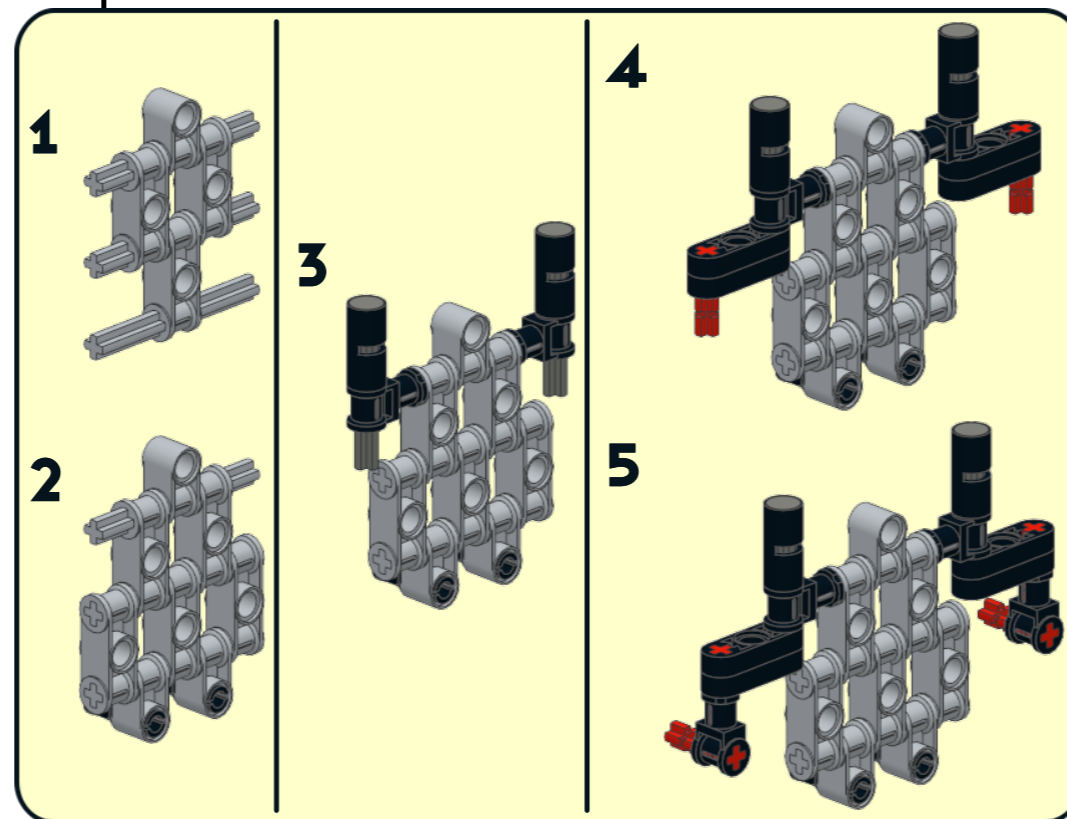
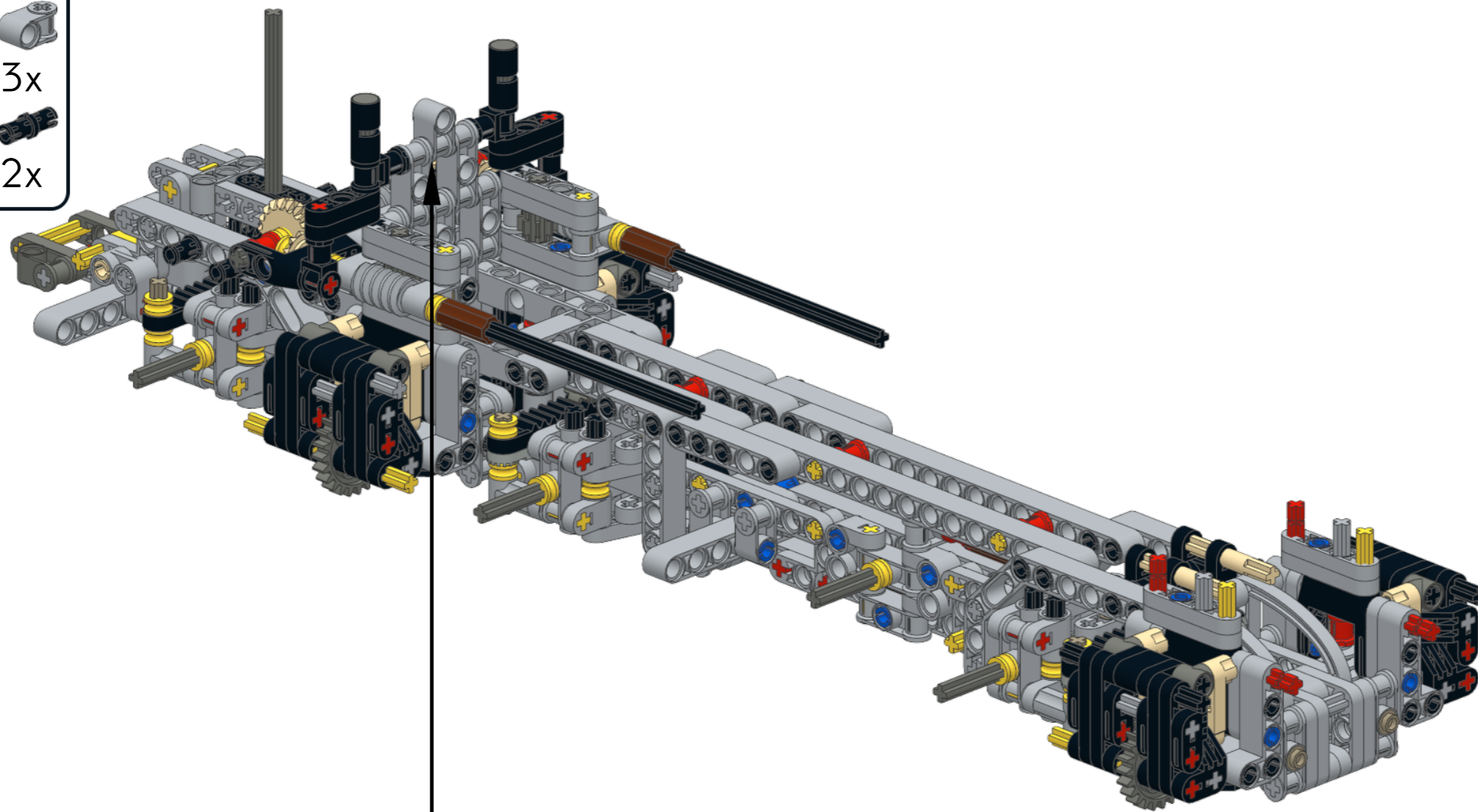


43
1x
4x



44

- 5x [grey axle]
- 5 [grey axle]
- 4x [grey axle]
- 4 [grey axle]
- 4x [grey axle]
- 2 [red axle]
- 3x [grey axle]
- 3x [grey axle]
- 2x [grey axle]
- 2x [grey axle]
- 4x [grey axle]
- 2x [grey axle]



1 1x 7 1x 1x

2 2x 5 2x

3 1x 2x 1x 1x

4 2x 2x 4x

5 1x 9

6 1x 6 1x 10 1x 4 1x 3x

7 1x 1x 1x 2 1x 1x

8 4 1x 1x 5 1x 1x

9 3x 2x 1x

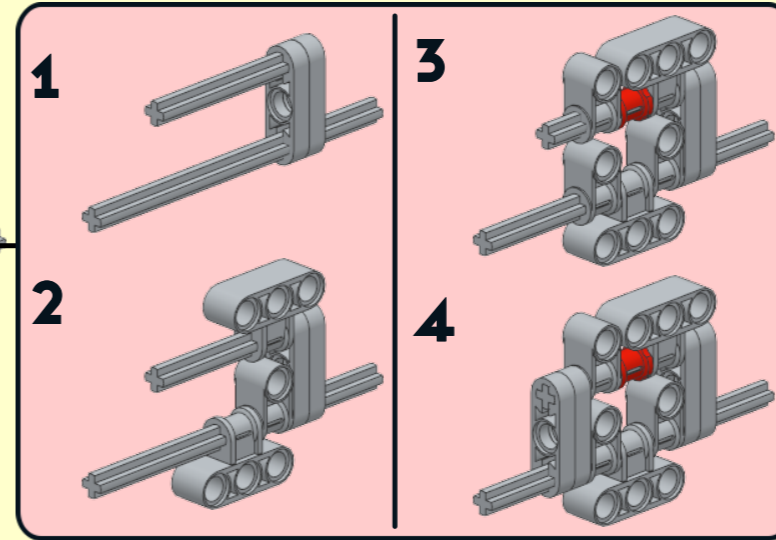
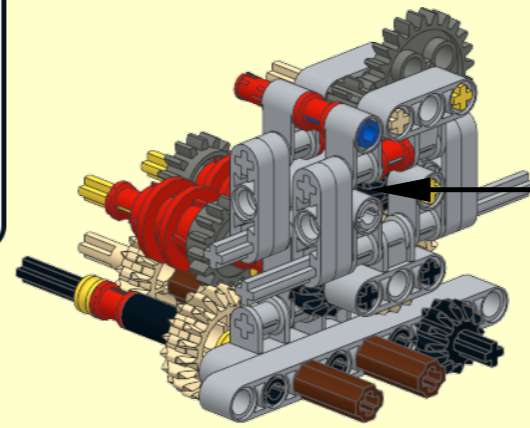
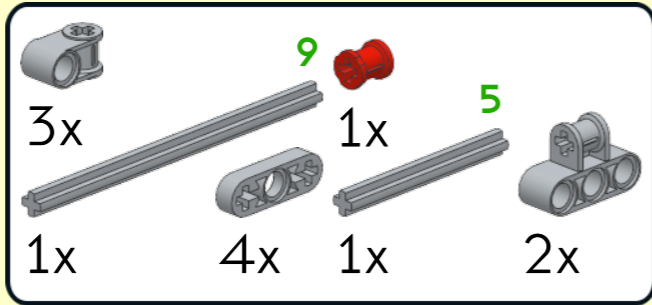
10 1x 6 2x 2x 1x 2x

11 2x 3 1x 2x 1x

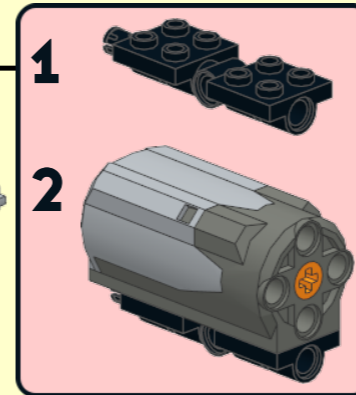
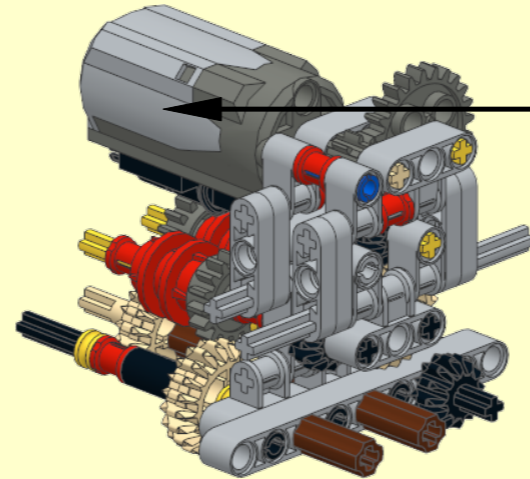
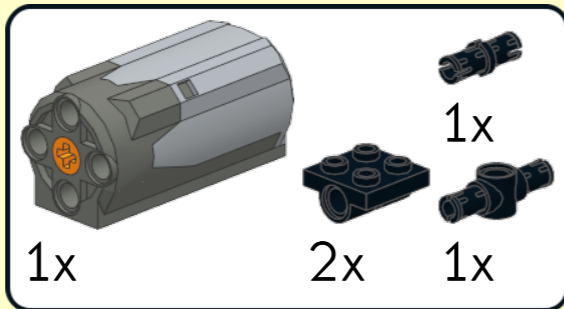
12 1x 1x 1x 1x 1x

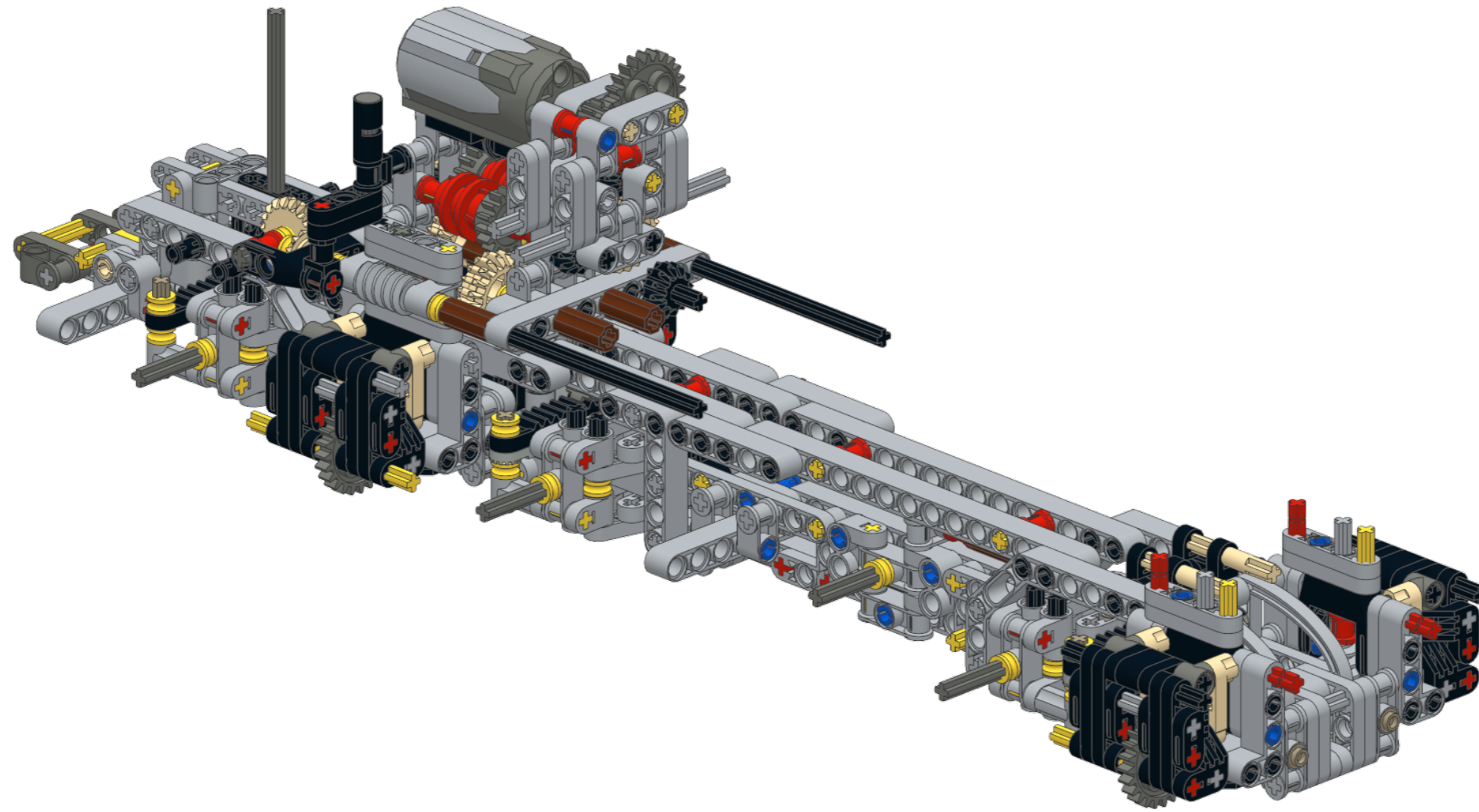
13 1x 4 1x 3 1x 2x 1x

14

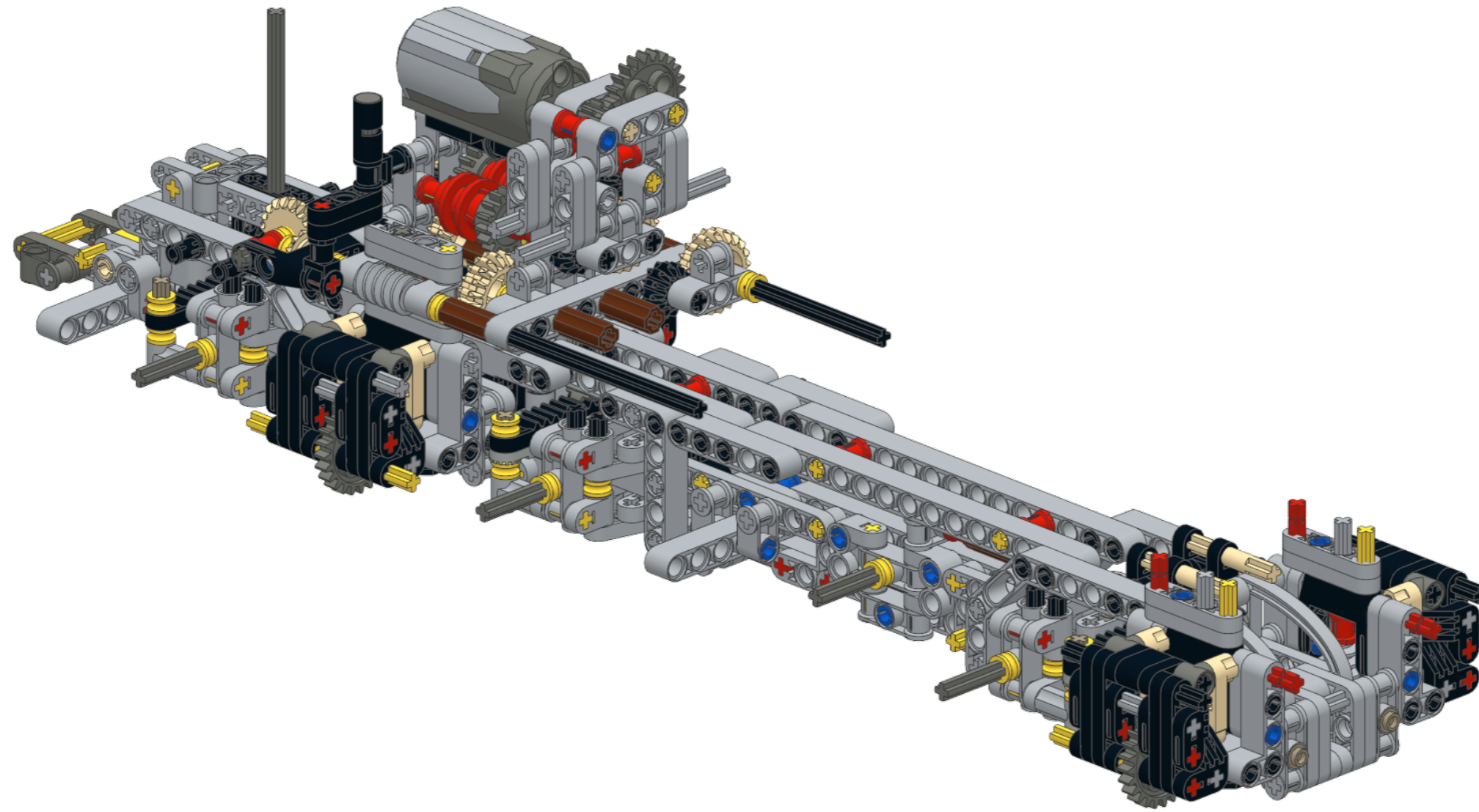
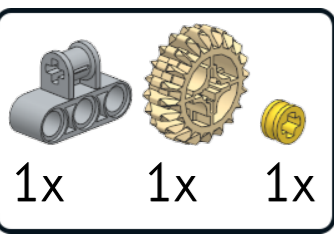


15



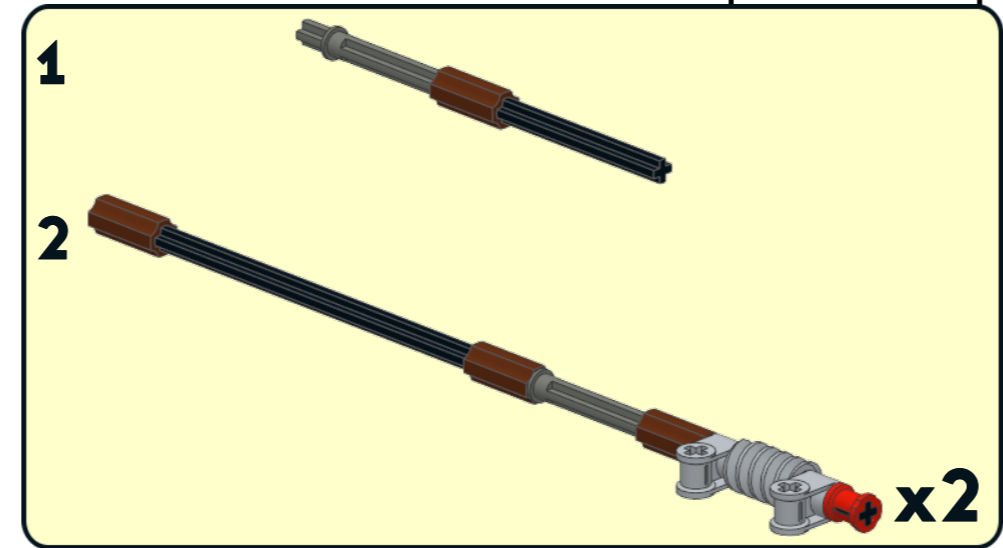
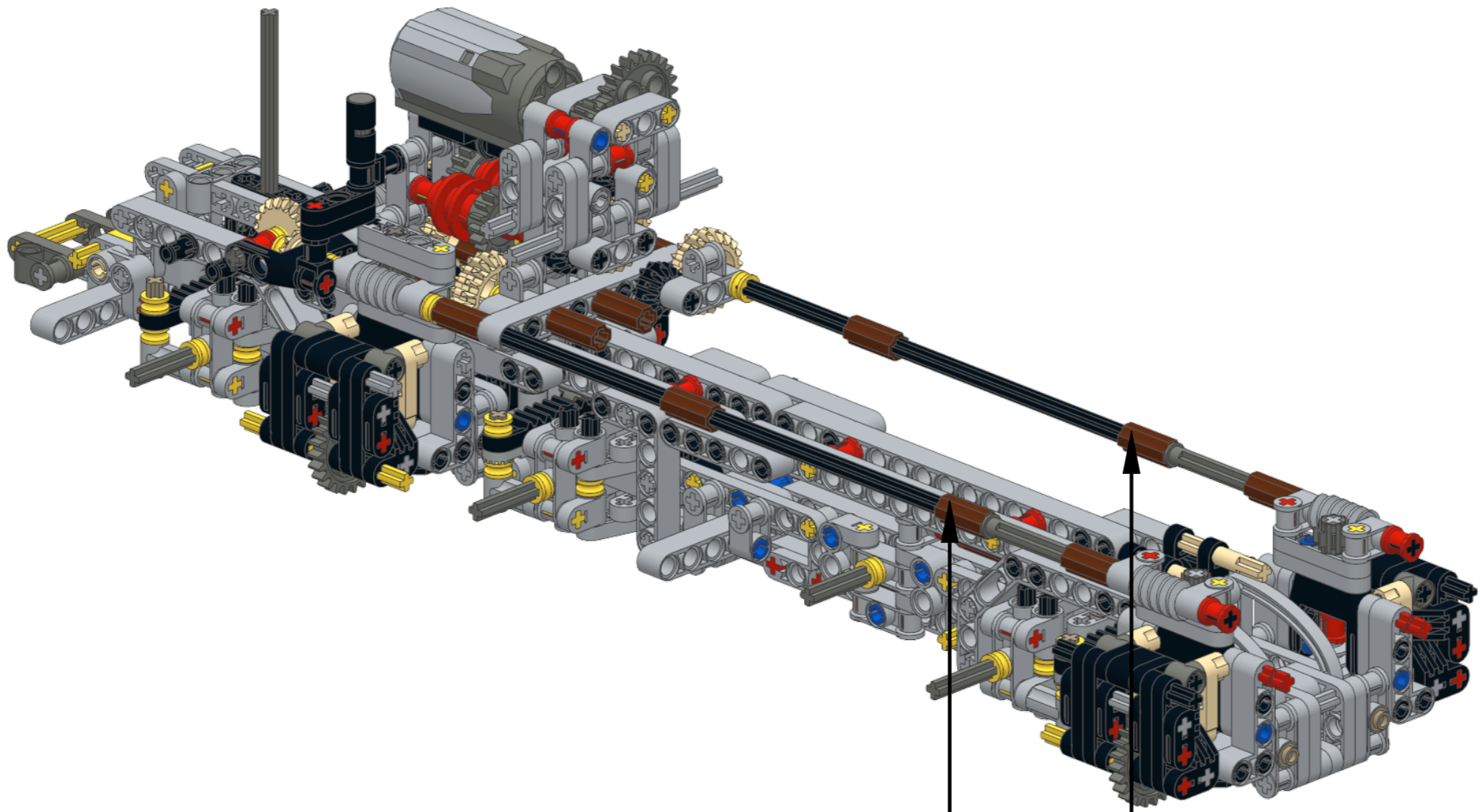


46



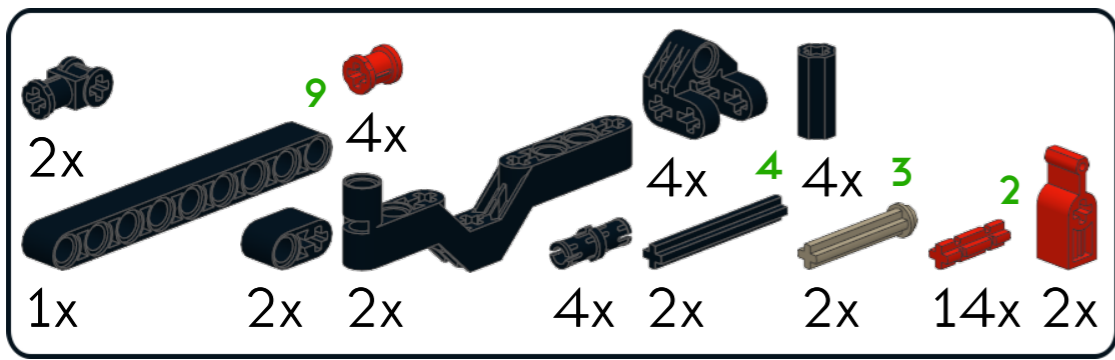
47

- 2x
- 2x
- 2x
- 6x
- 4x 5
- 2x 6
- 2x 12
- 2x
- 2x

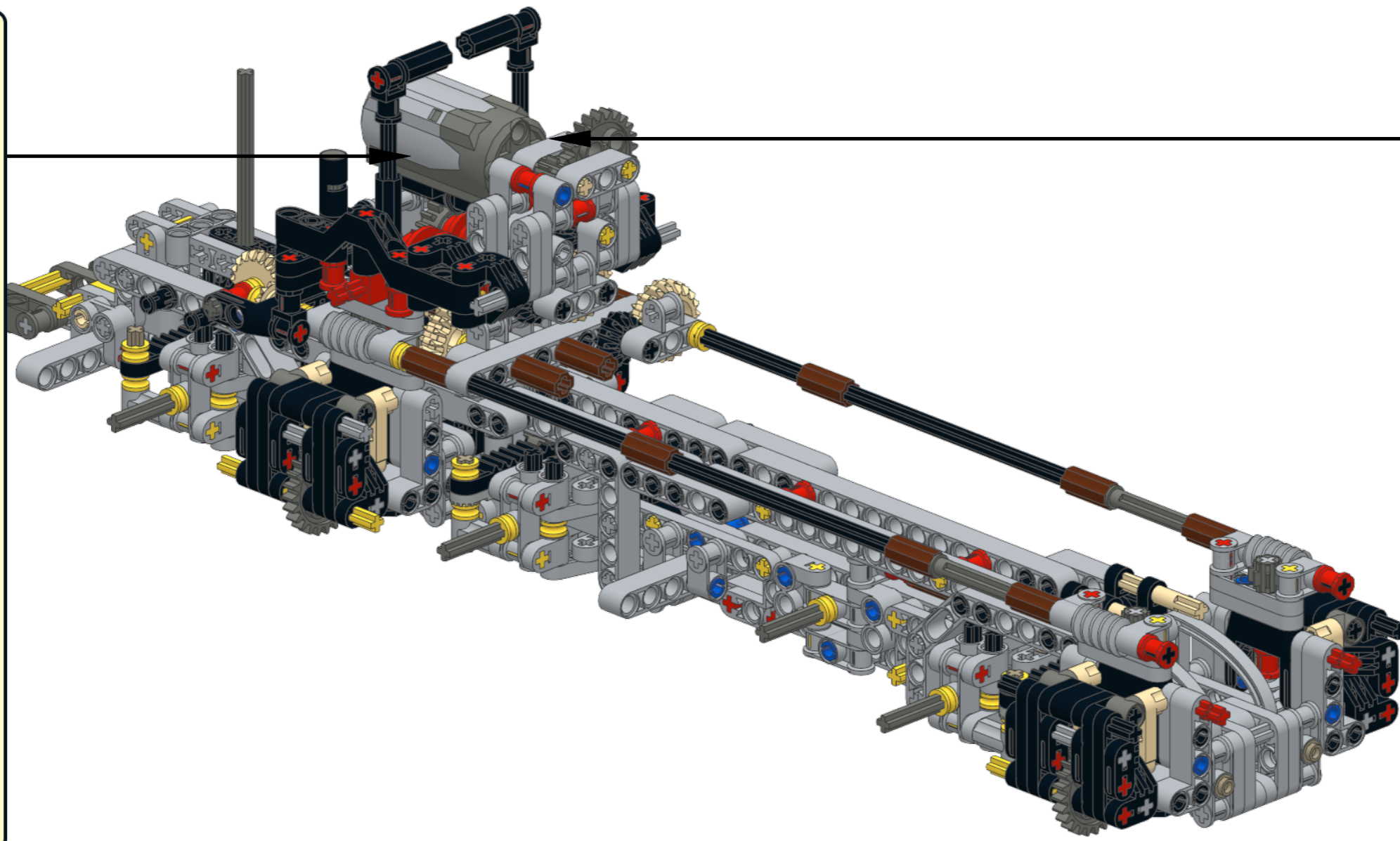
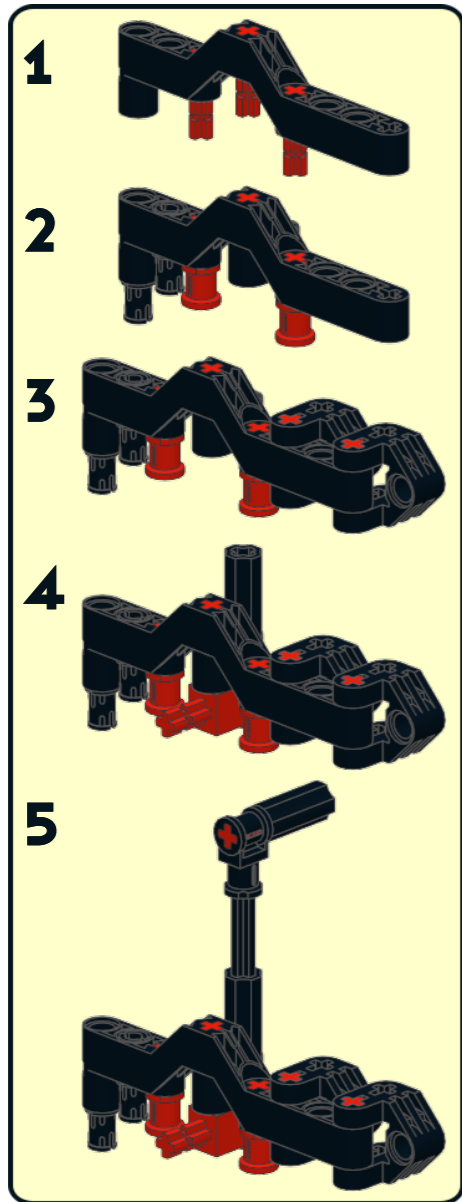


48

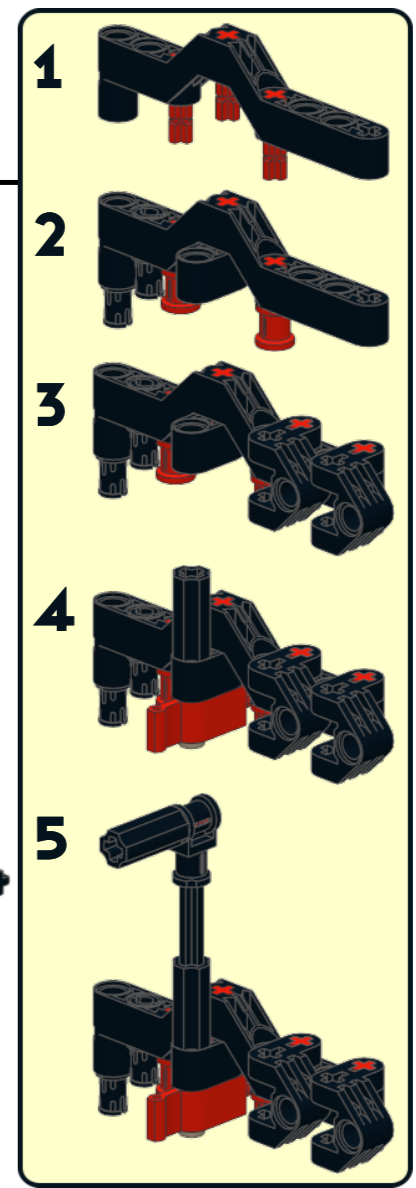
2x
1x
2x
2x
4x
2x
4x
2x
4x
2x
3
2
2x

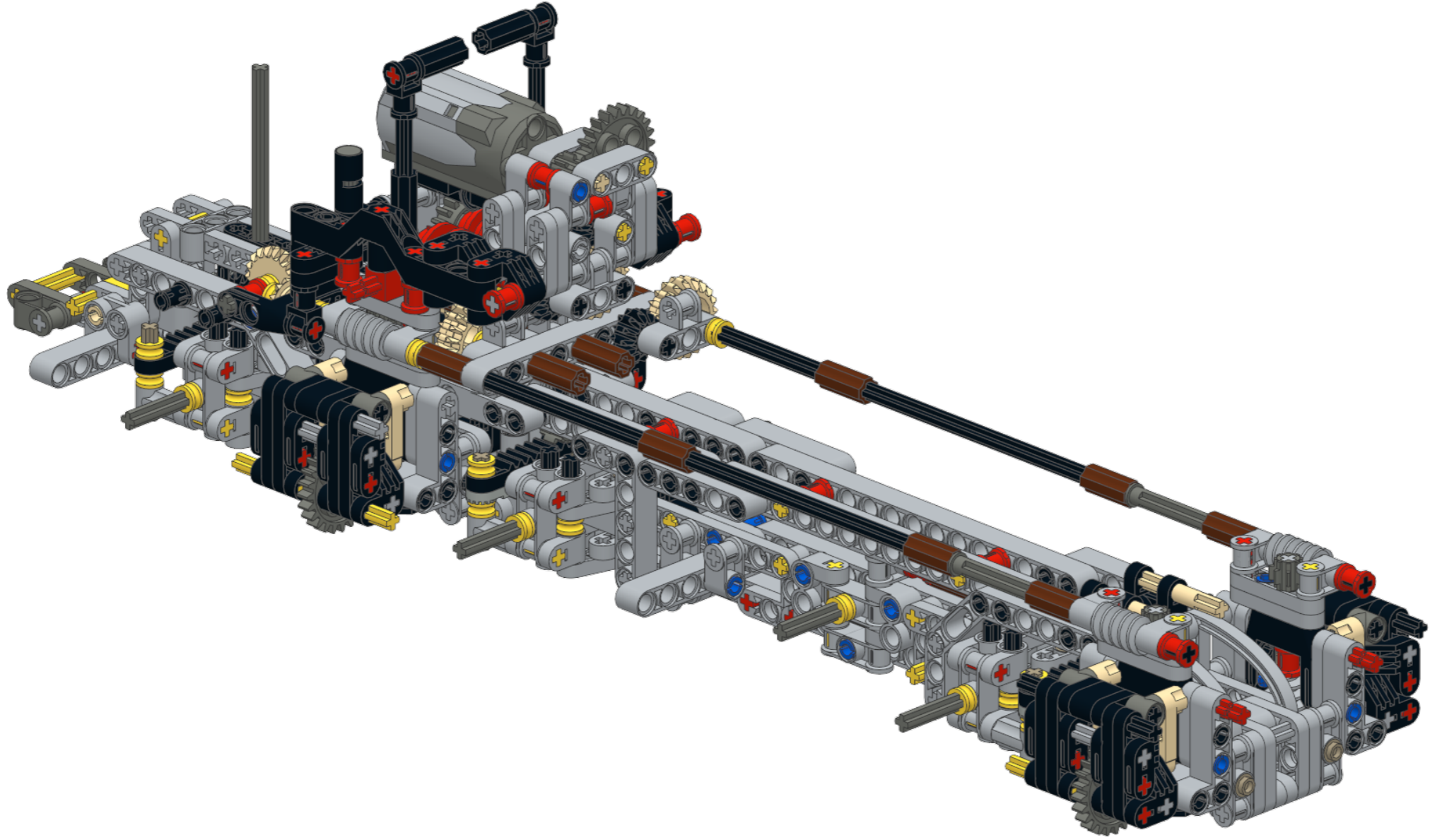


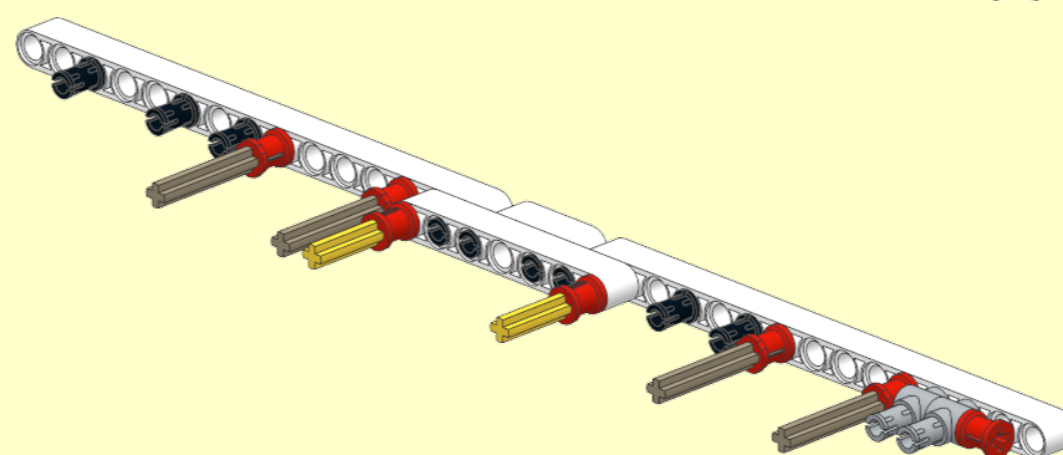
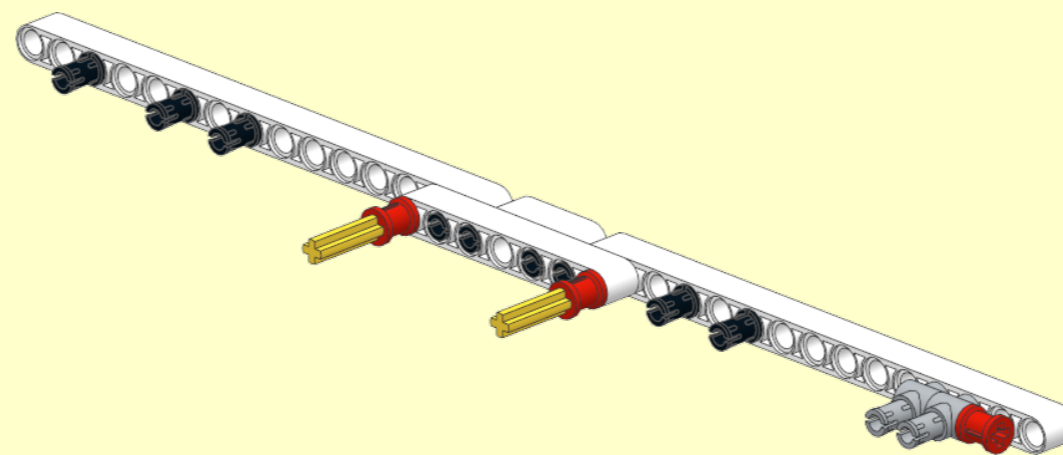
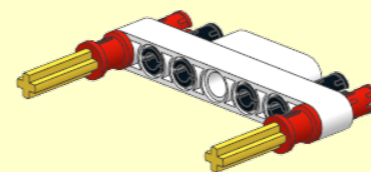
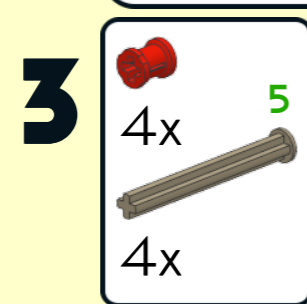
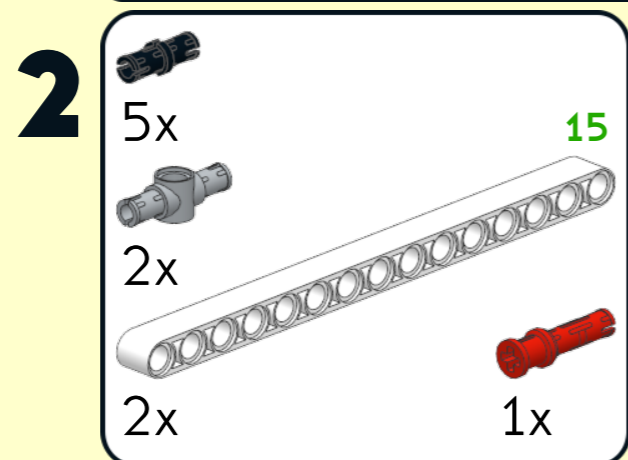
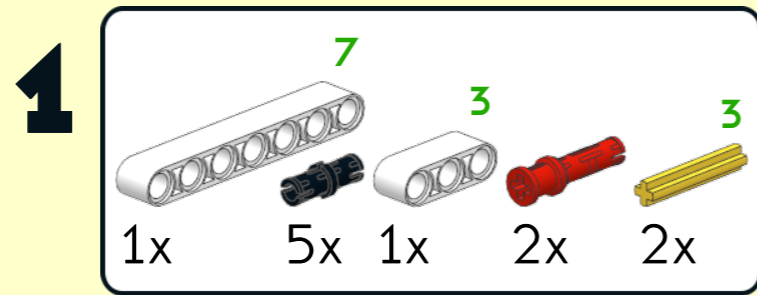
1
2
3
4
5




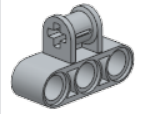

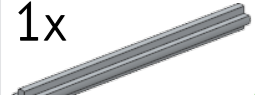








1
2
3
4
5

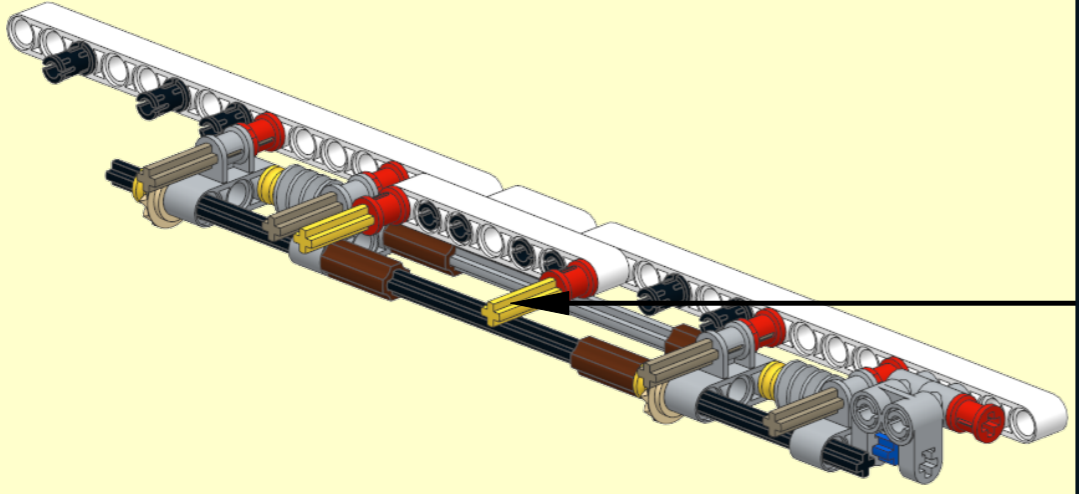










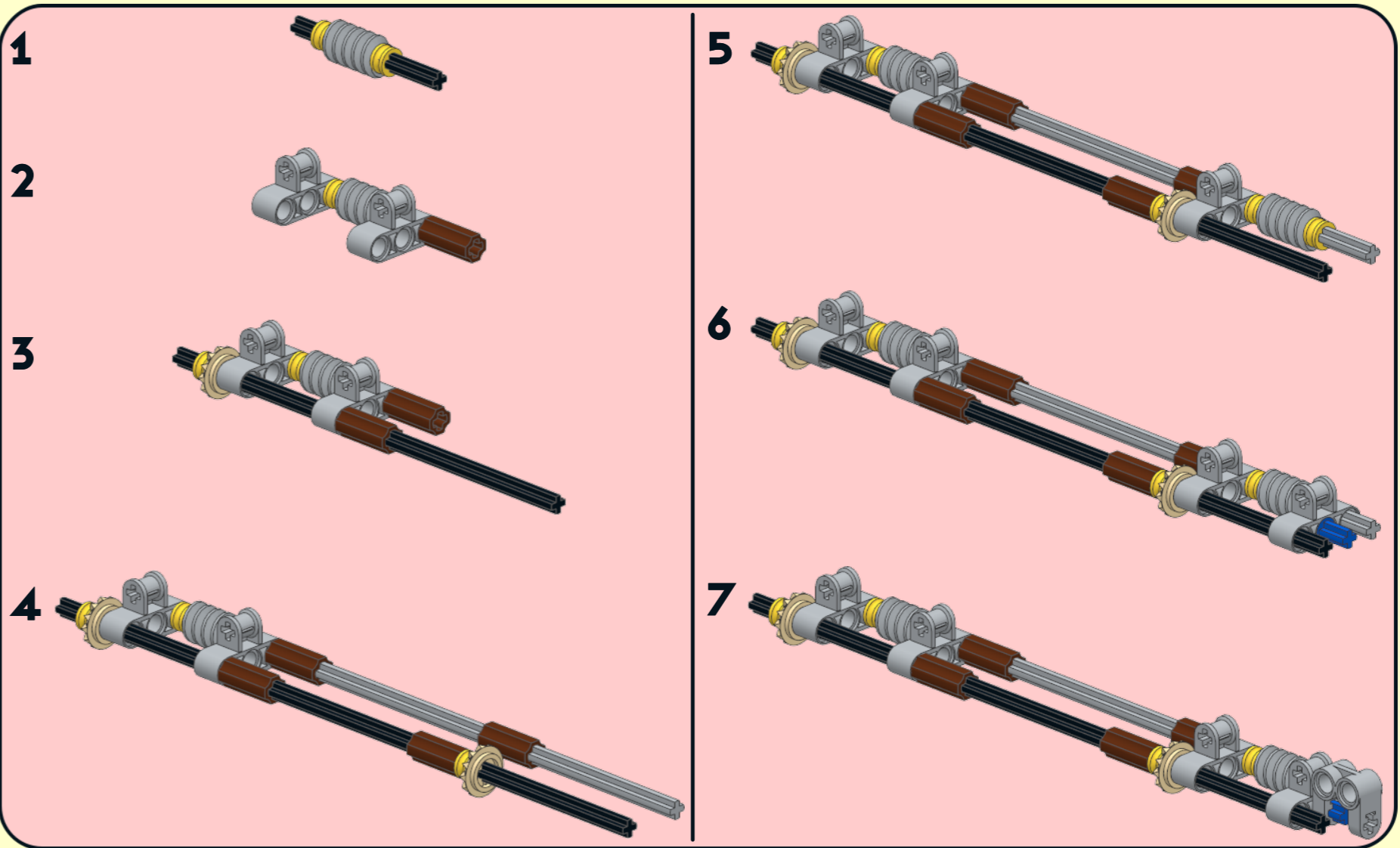
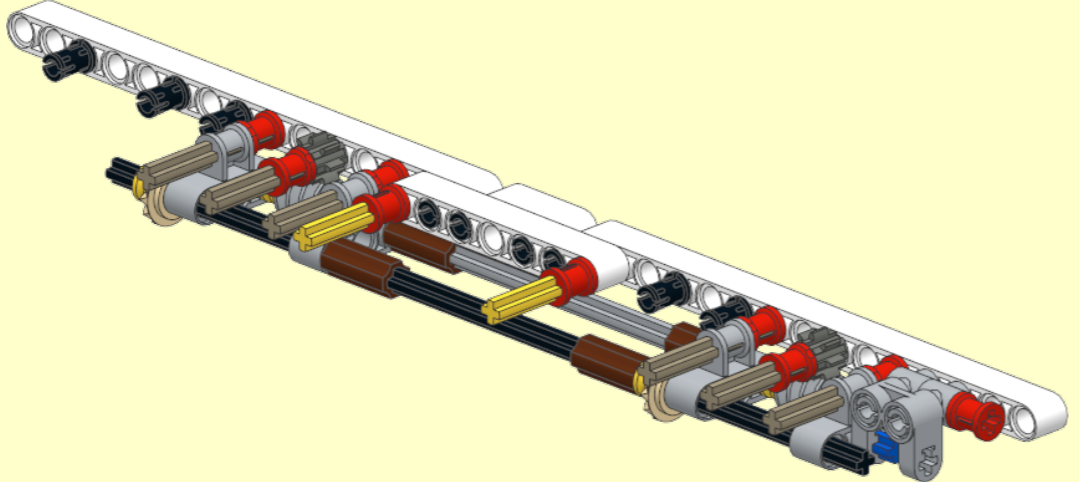
4

-  1x
-  4x
-  6x
-  1x
-  1x
-  3x
-  1x
-  6x
-  2x
-  4x
-  2x
-  1x



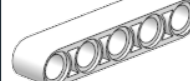
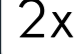


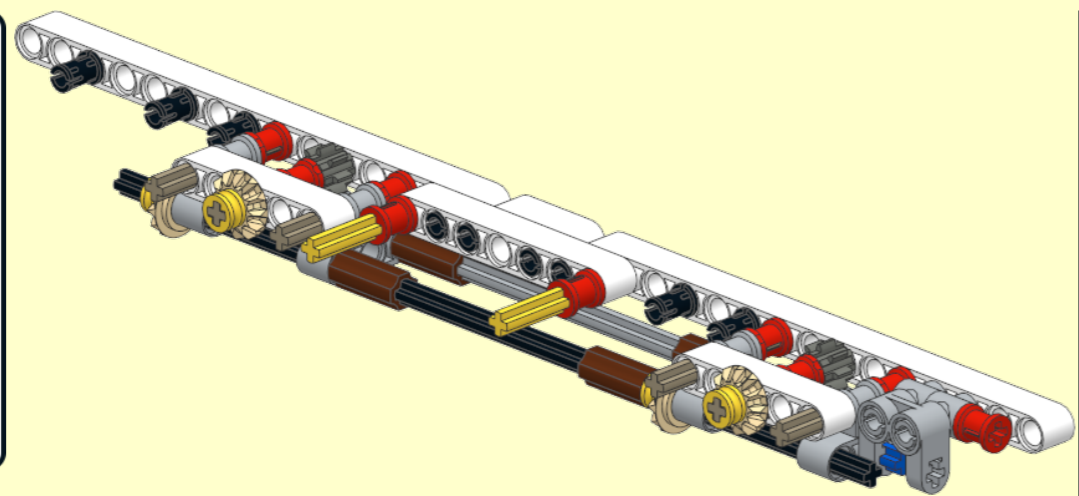
5

-  2x
-  2x
-  2x
-  2x




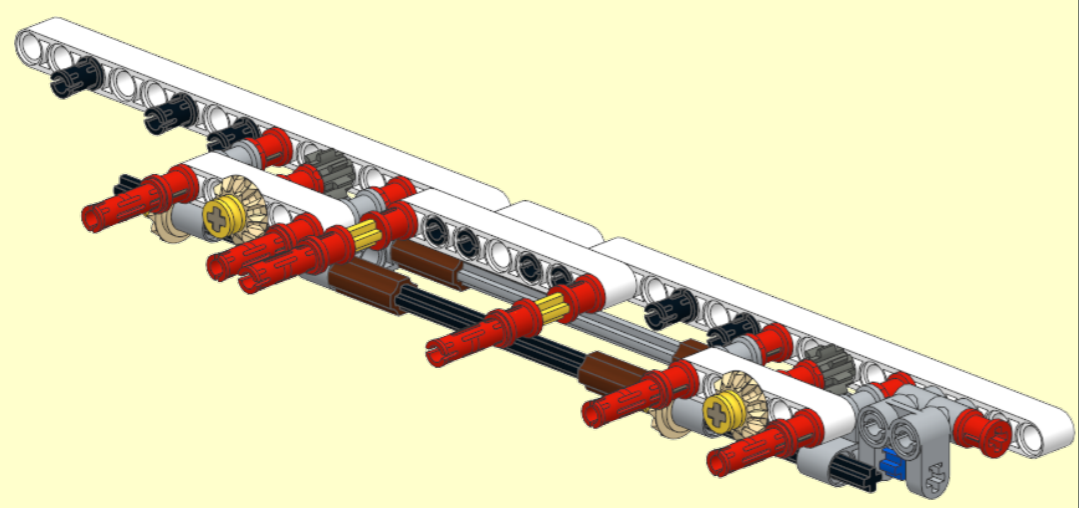
6

- 2x 
- 2x 
- 2x  **5**
- 2x 


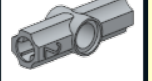


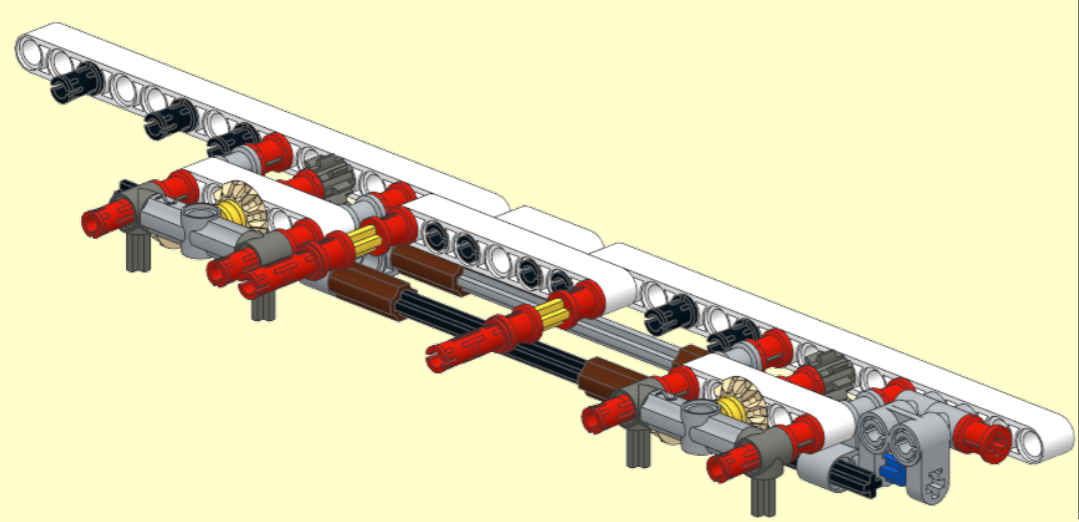
7

- 6x 







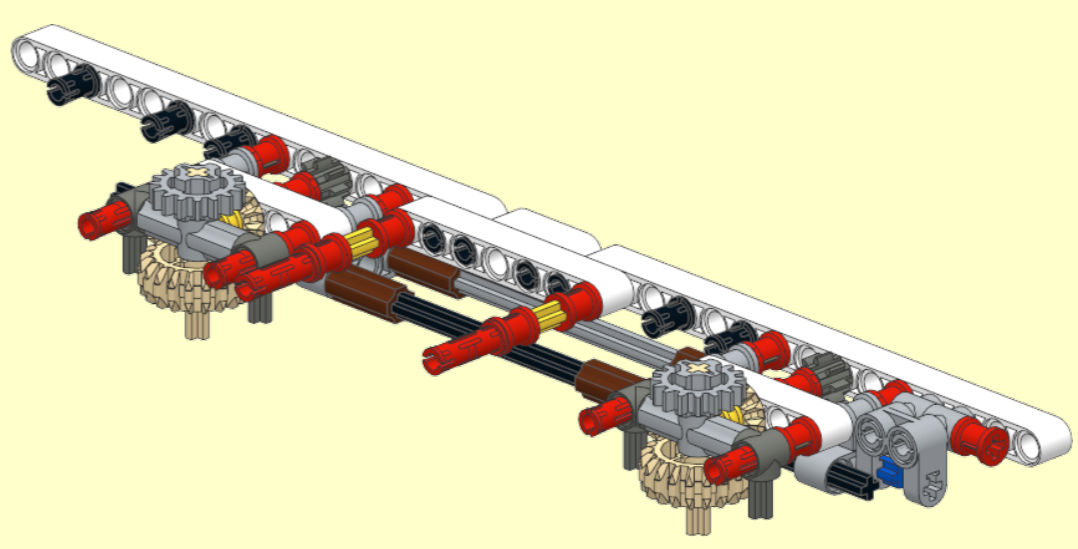
8

- 4x 
- 2x 


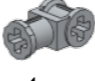

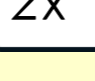


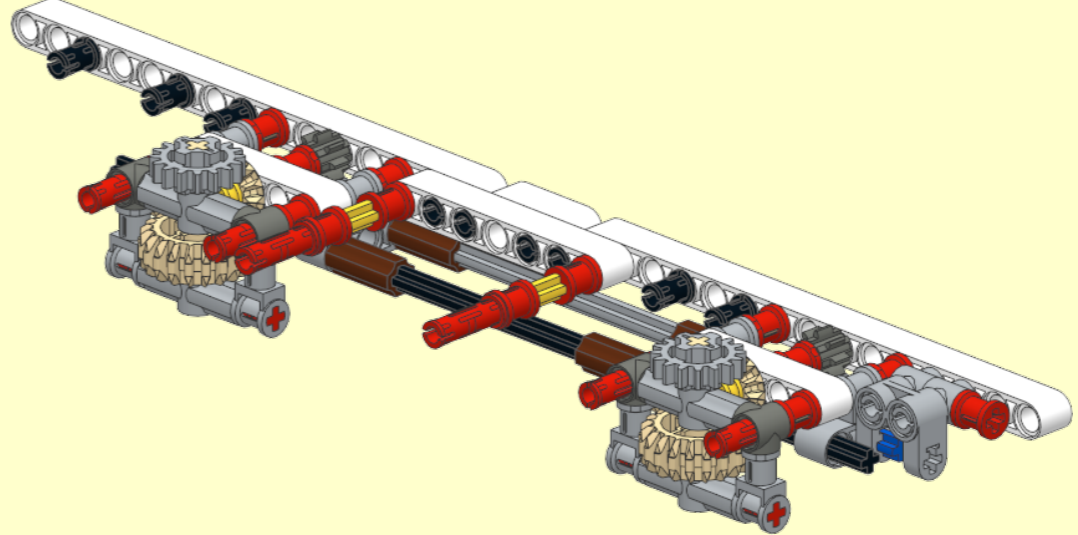
9

- 2x 
- 2x 
- 2x  **4**
- 2x 

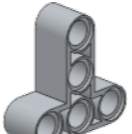
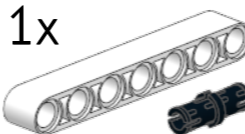
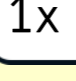
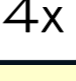


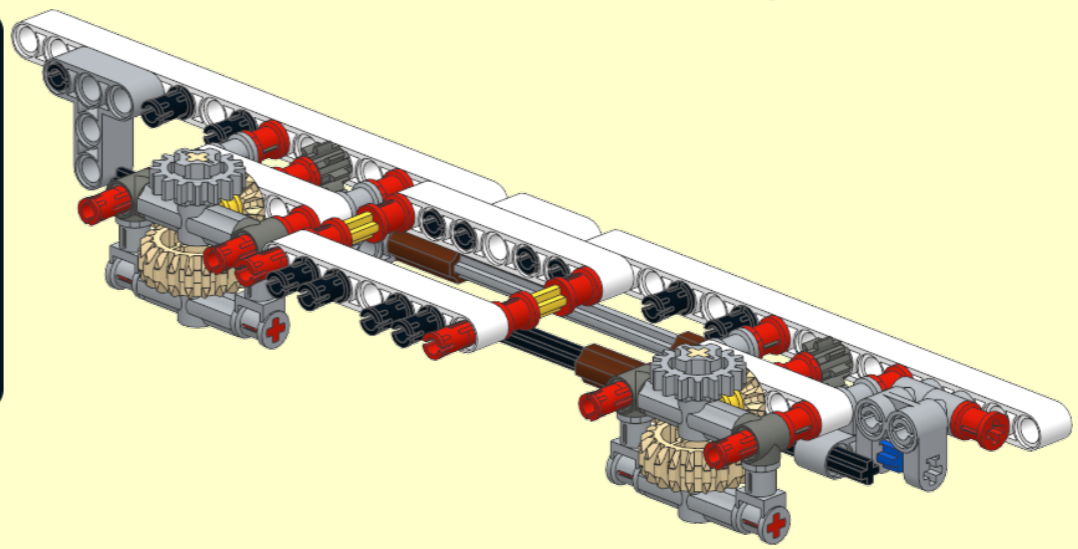
10

- 2 
- 4x 
- 4x 
- 2x 

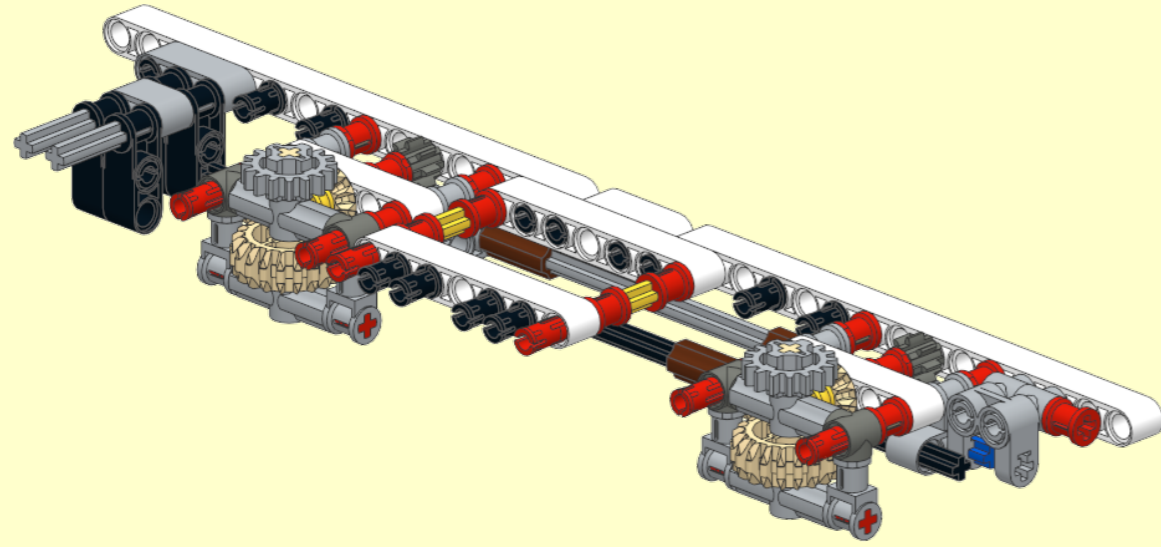
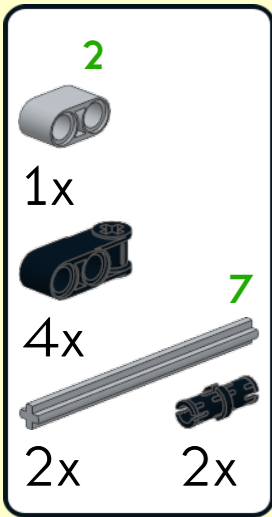


11

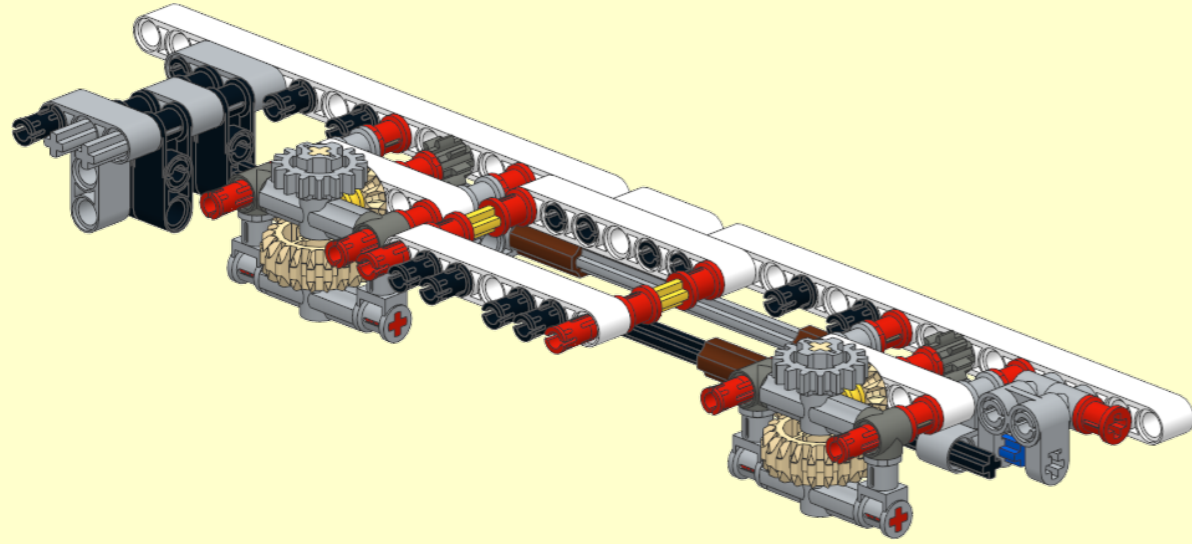
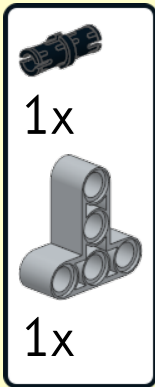
- 1x 
- 1x  **7**
- 1x 
- 4x 



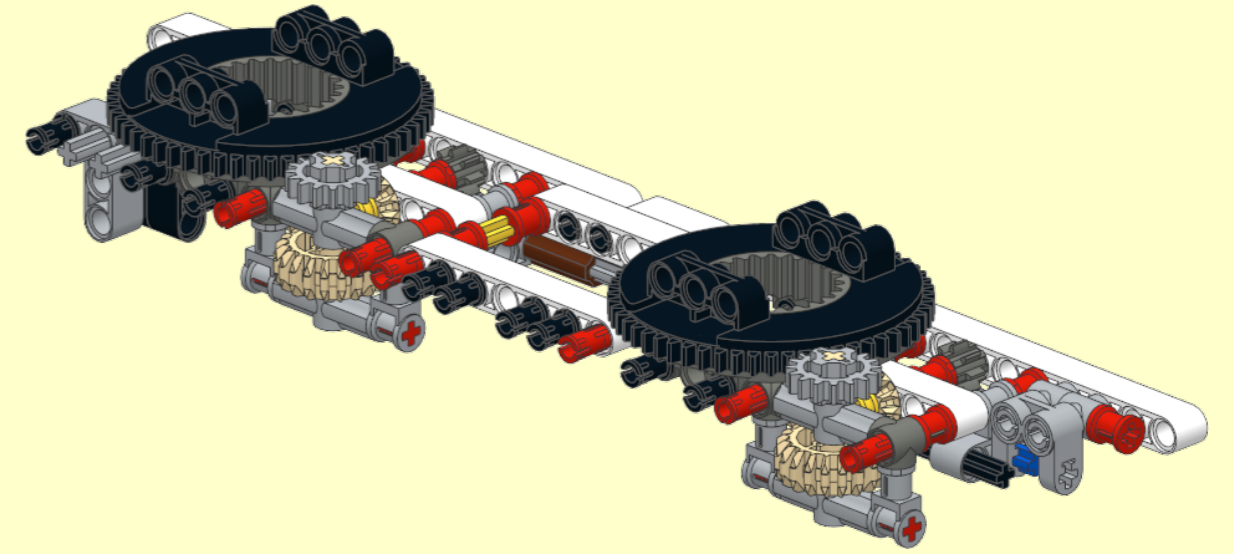
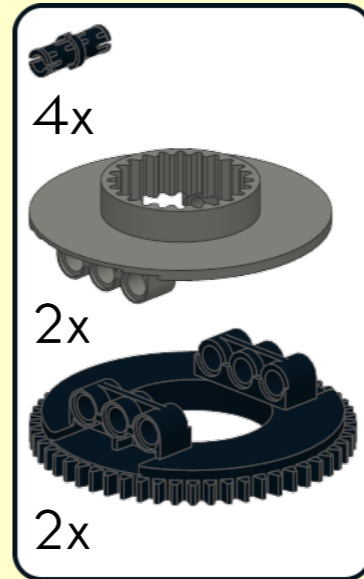
12



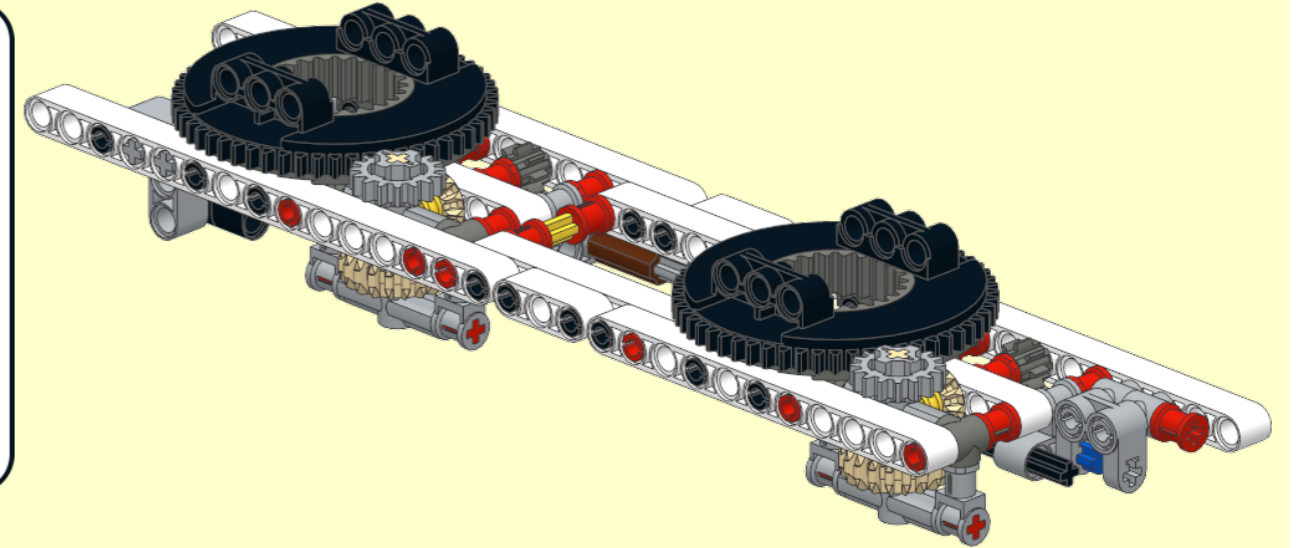
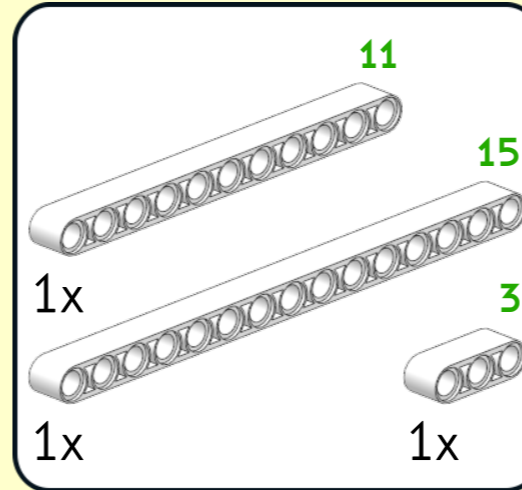
13









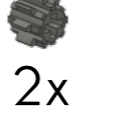






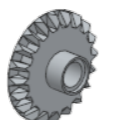















14

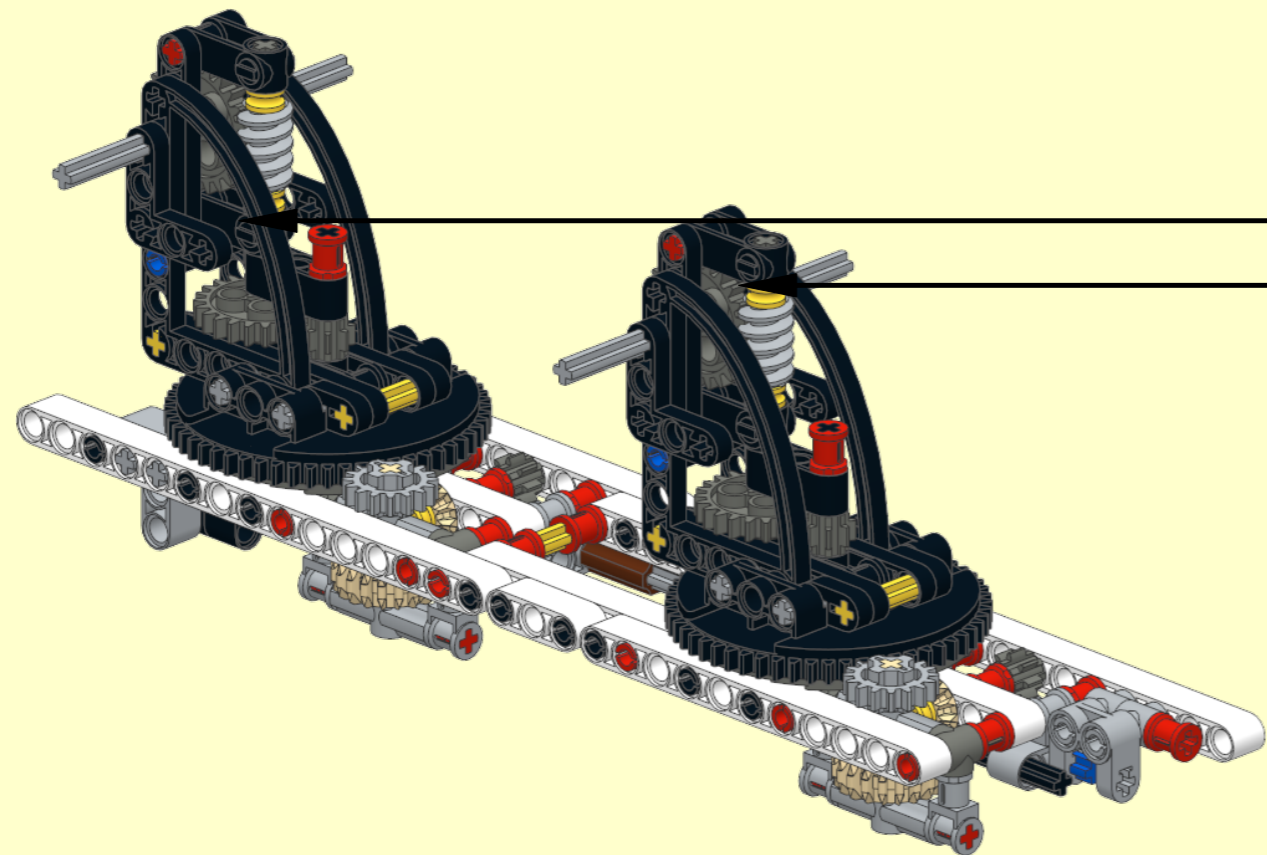


15

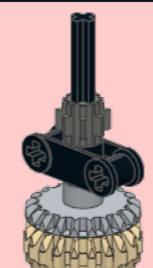

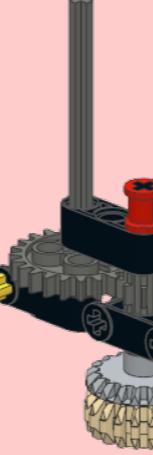


16


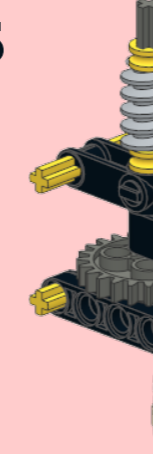
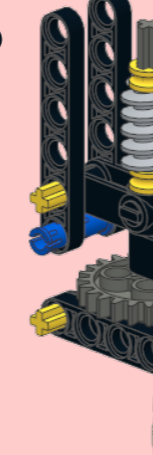
- 4x 
- 4x 
- 2x 
- 2x 
- 2x 
- 2x 
- 2x 
- 2x 
- 4x 
- 2x 
- 4x 
- 2x 
- 4x 
- 2x 
- 2x 
- 2x 
- 2x 
- 4x 
- 2x 
- 4x 
- 2x 
- 2x 
- 2x 
- 2x 
- 4x 
- 2x 
- 4x 
- 2x 
- 2x 






1
2
3

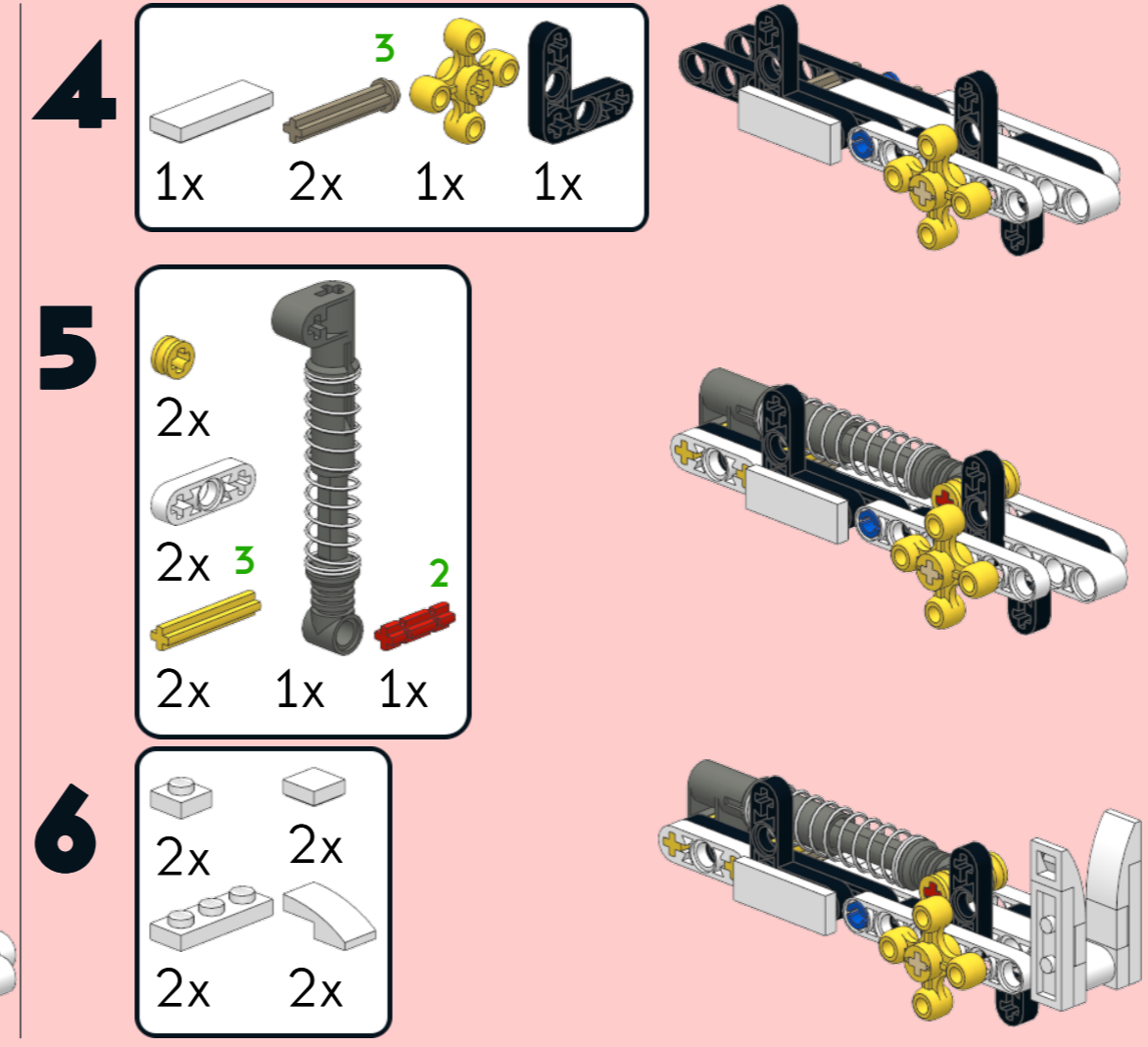
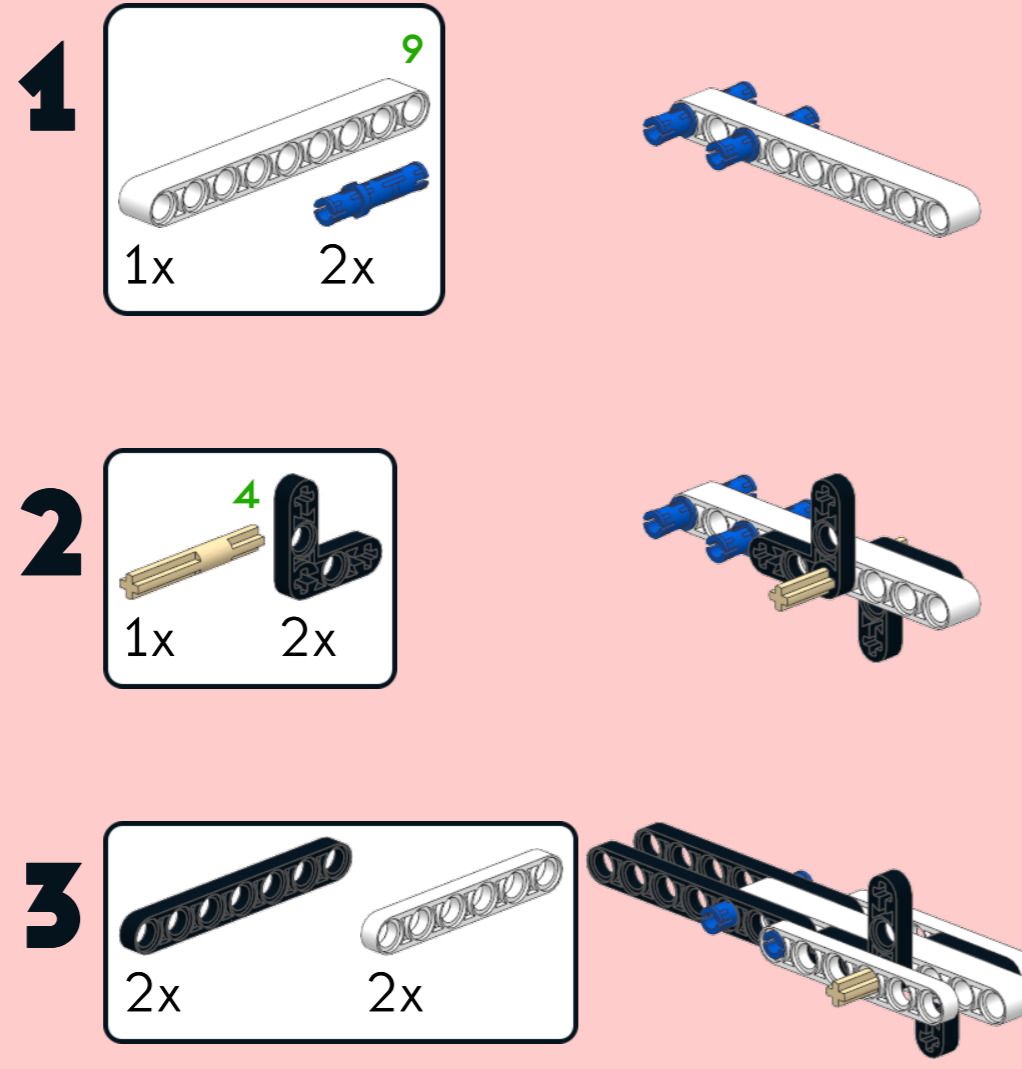
4
5
6

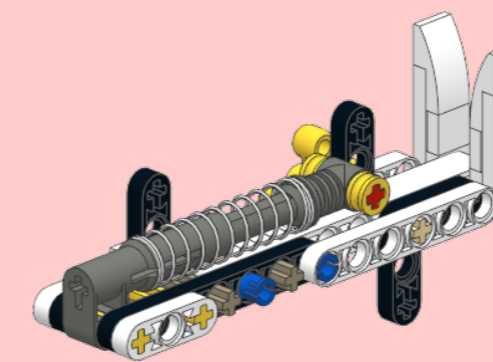
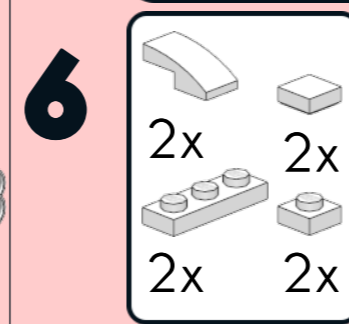
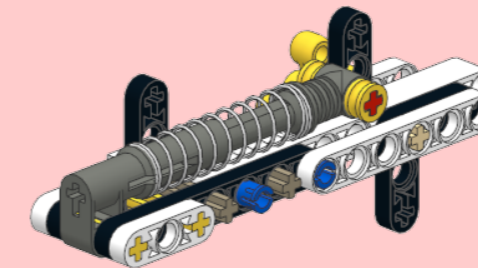
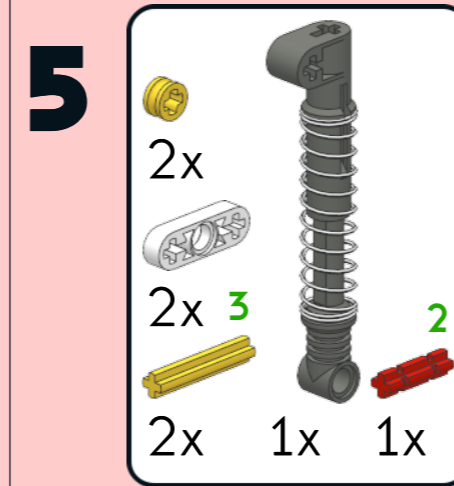
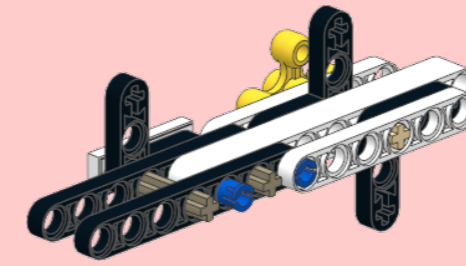
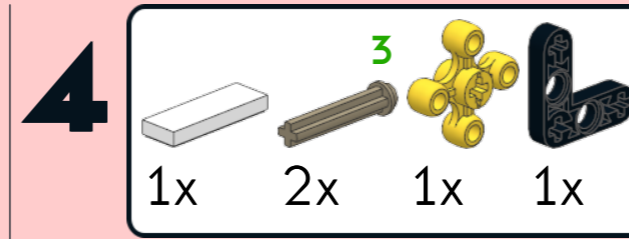
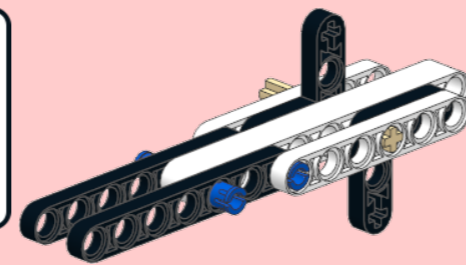
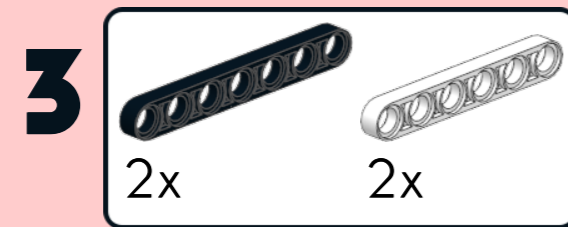
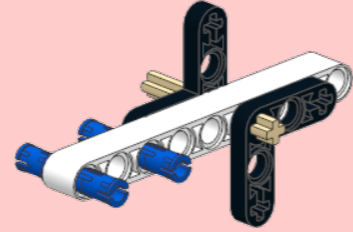
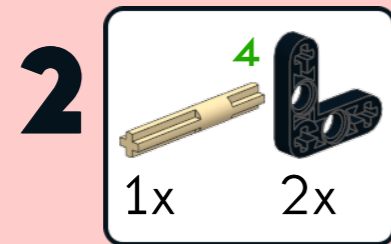
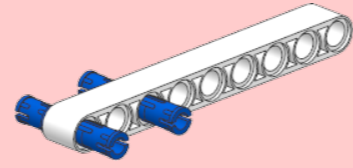
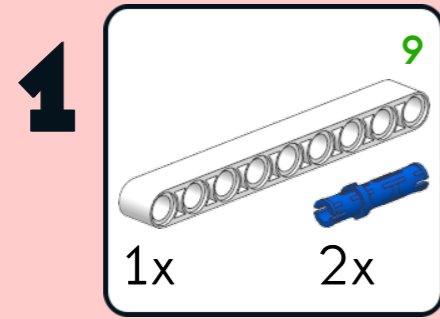




7
8
9

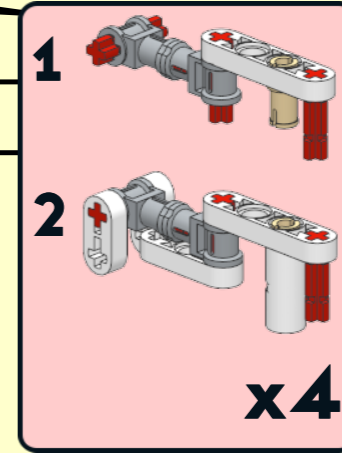
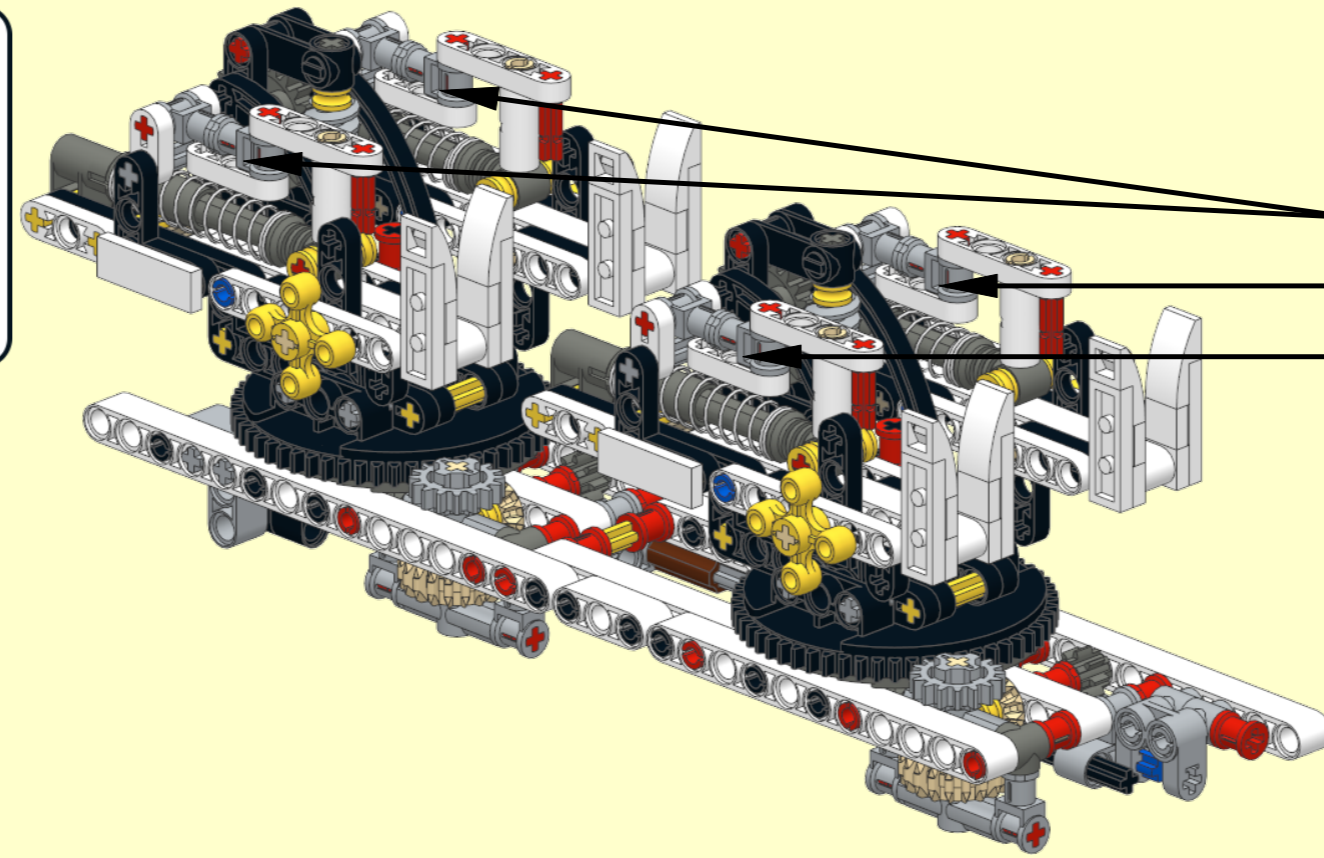
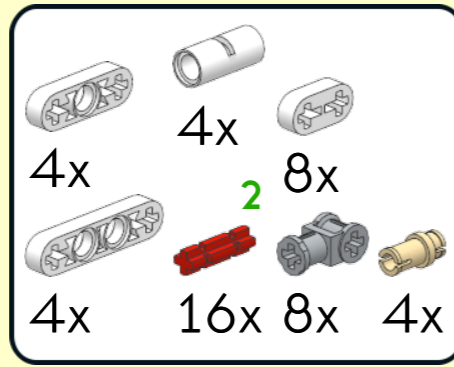
x2



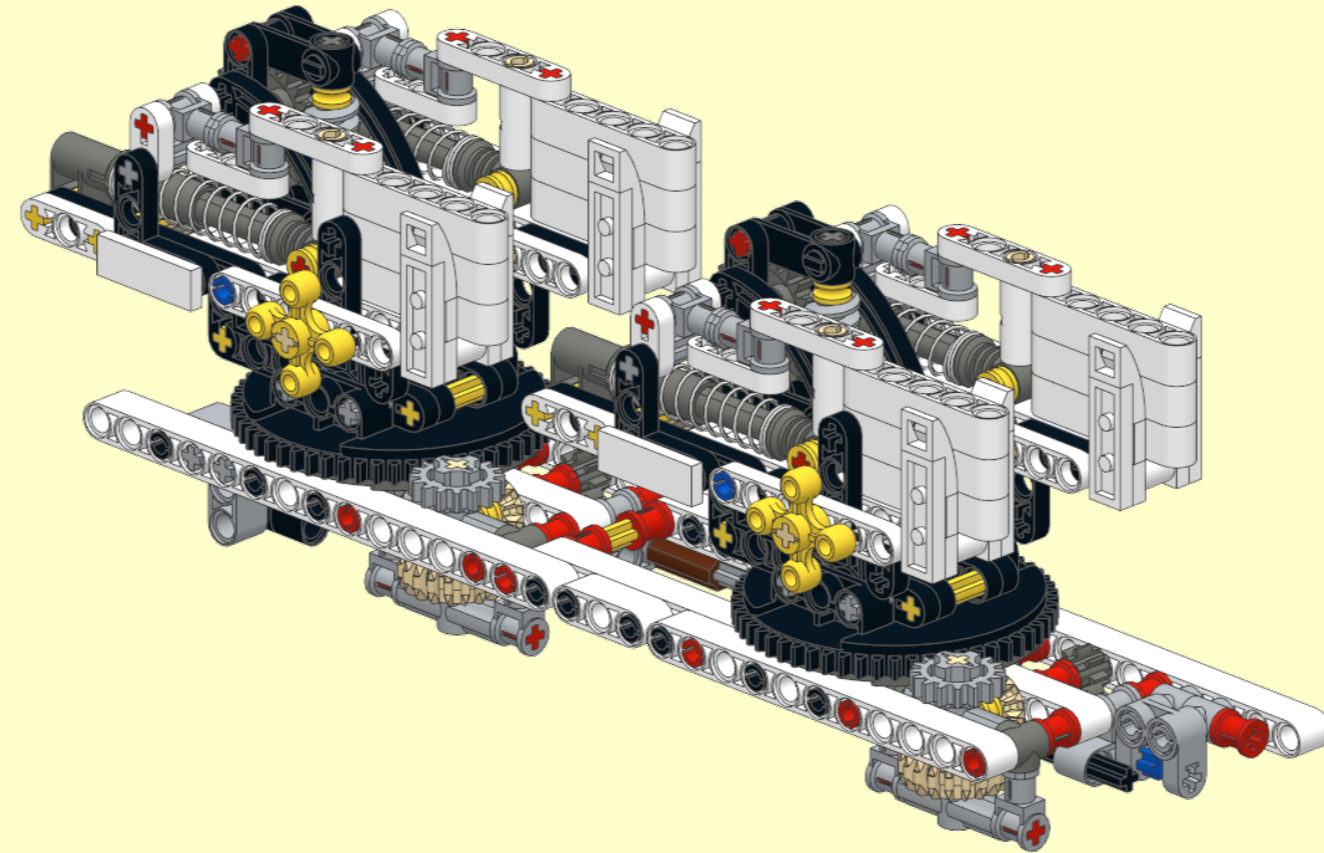
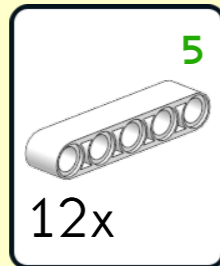


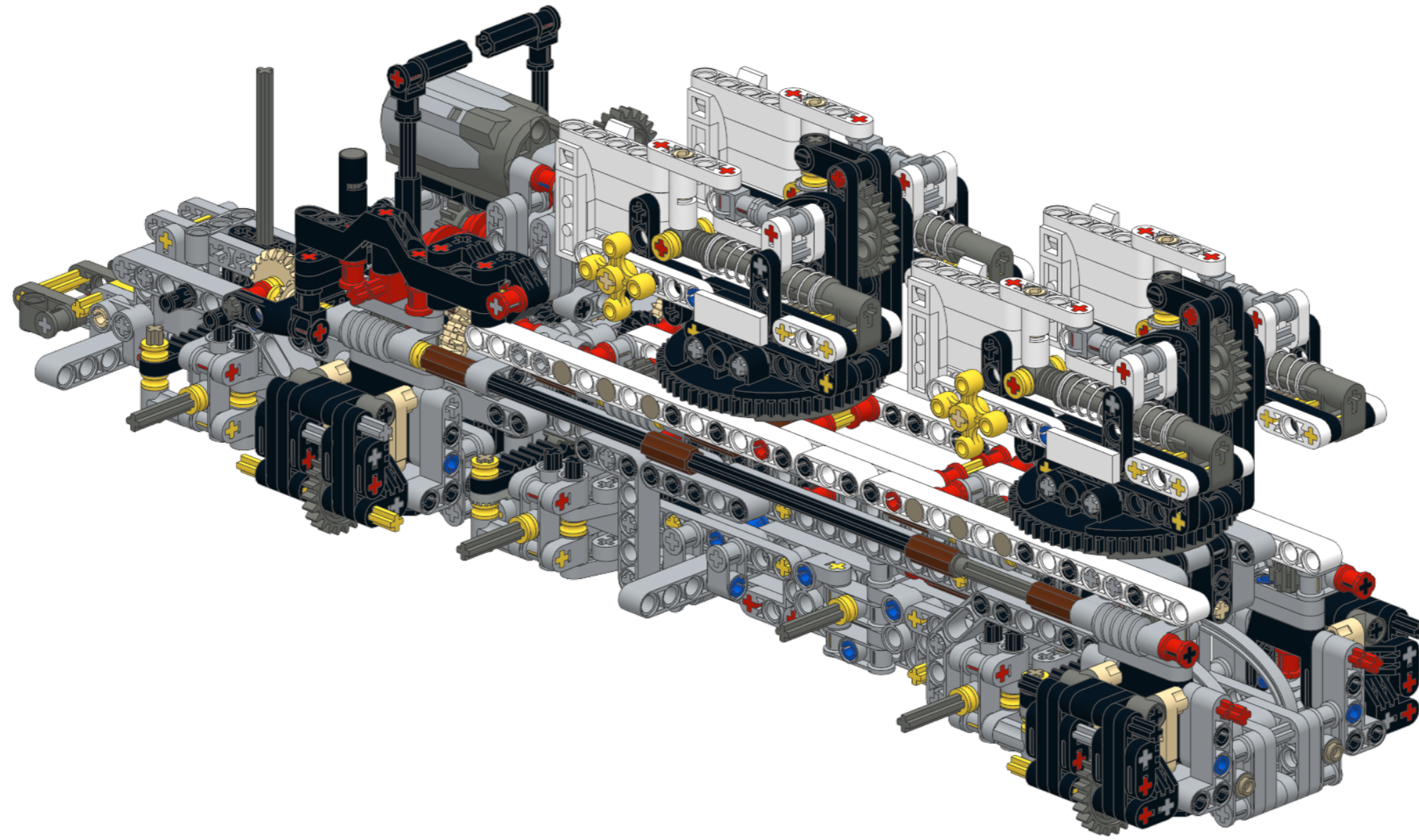
x2

17

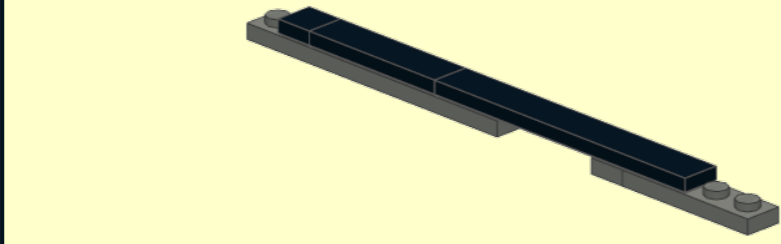
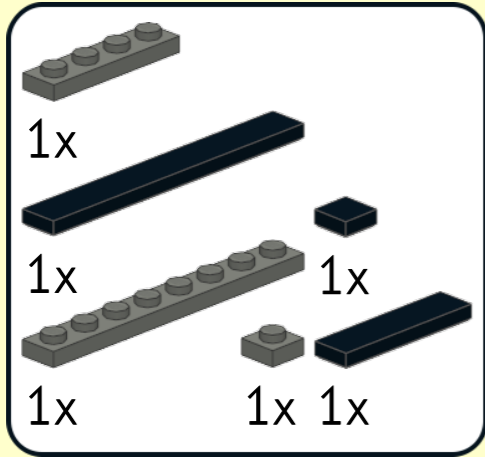


18

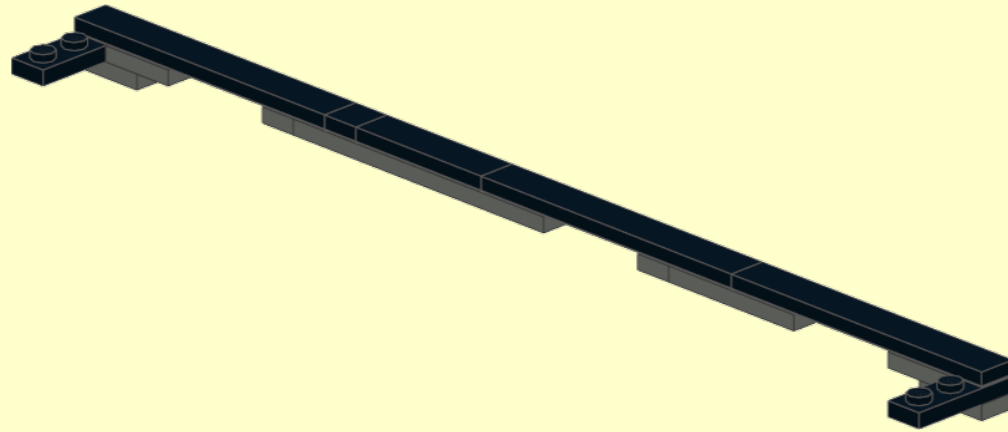
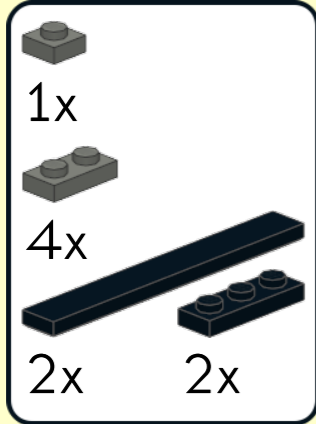




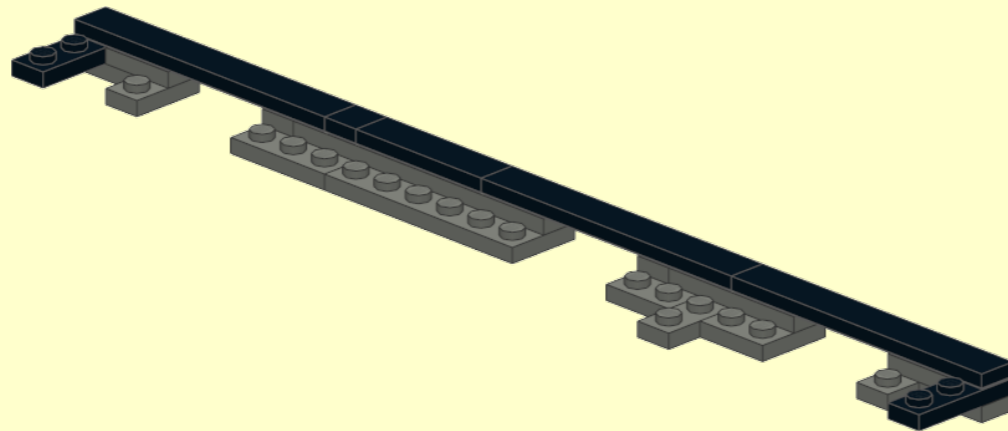
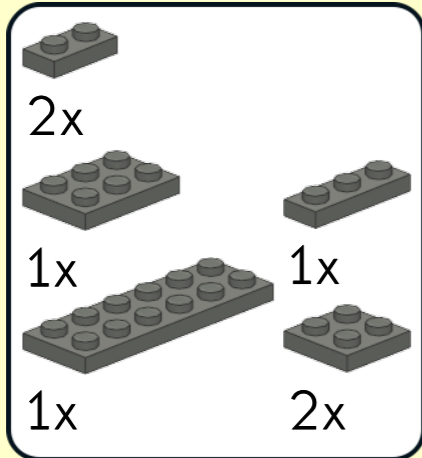
1



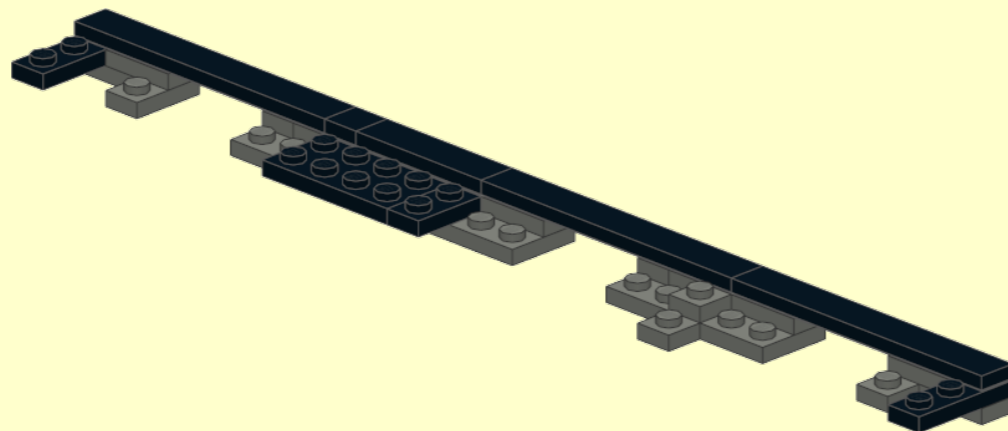
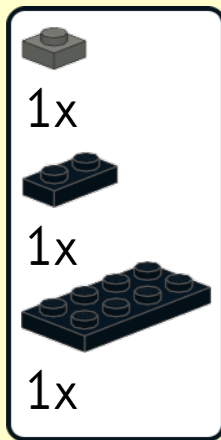
2



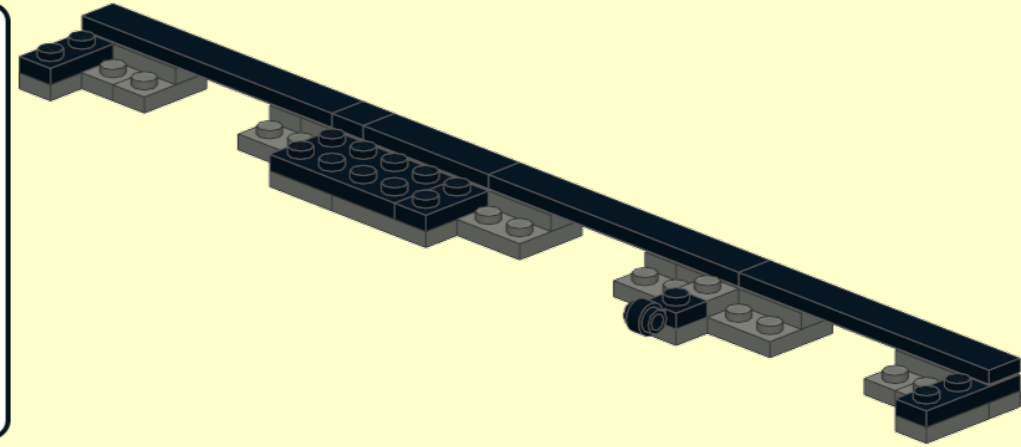
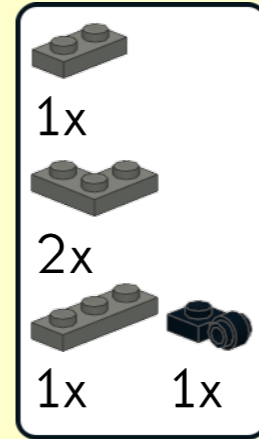
3



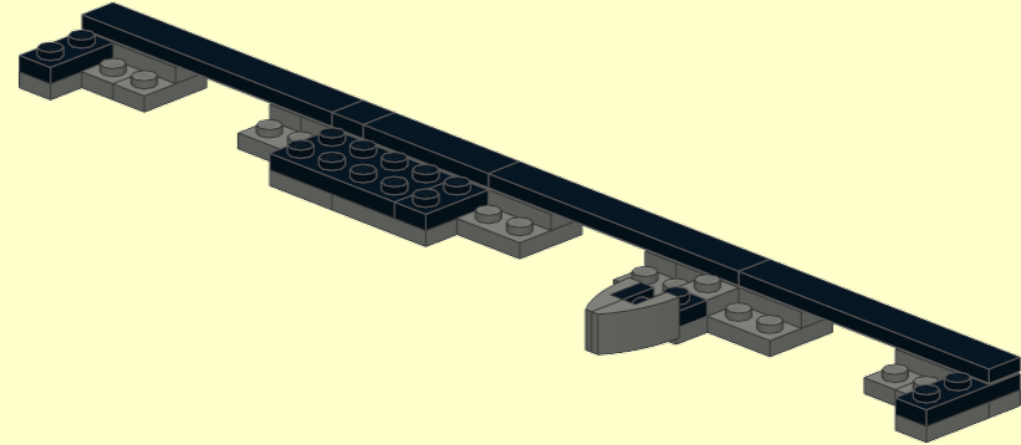
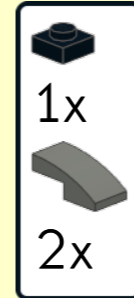
4



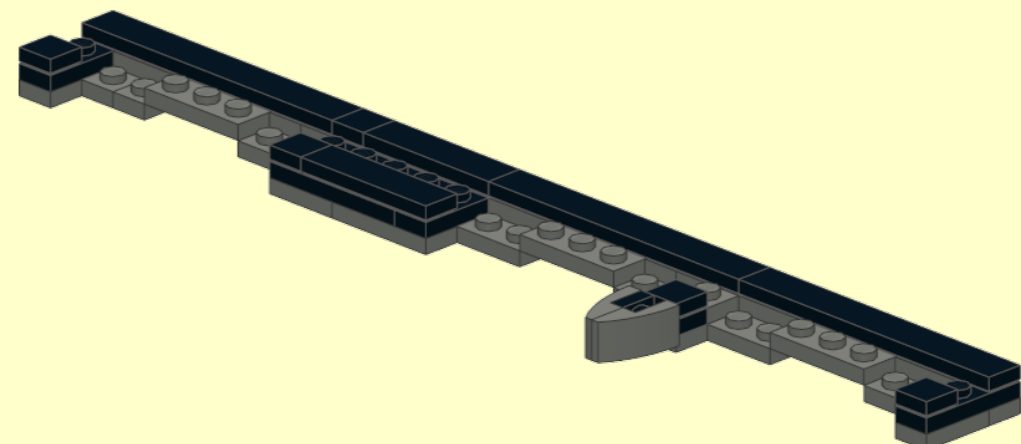
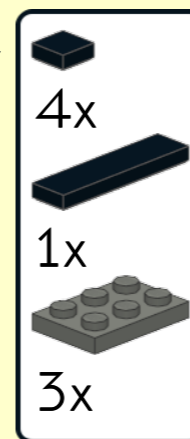
5



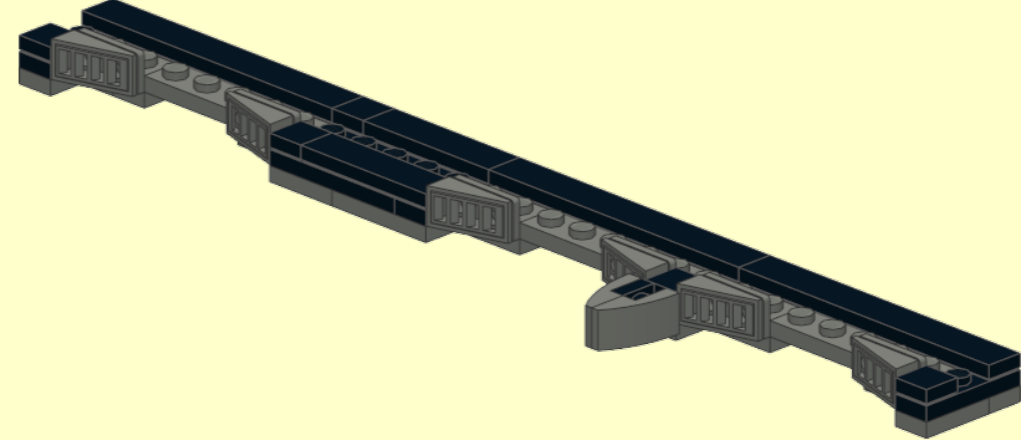
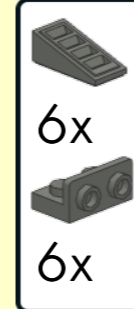
6



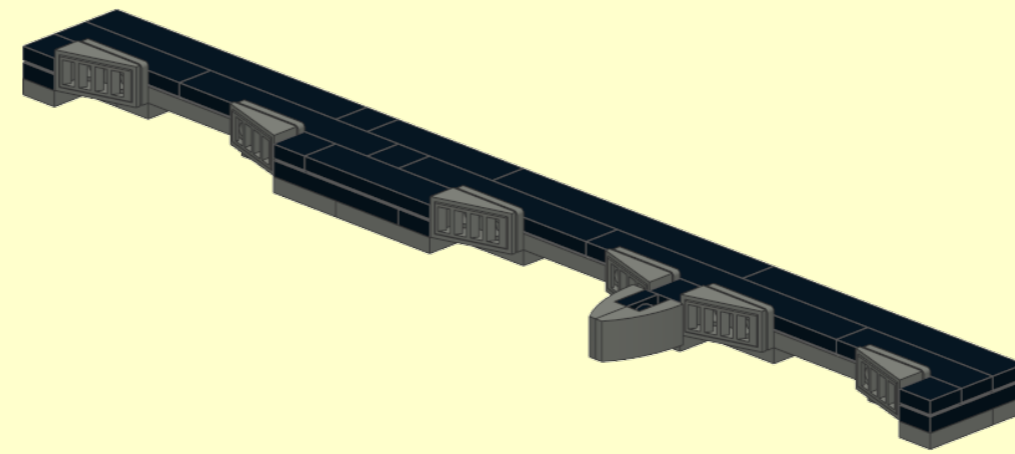
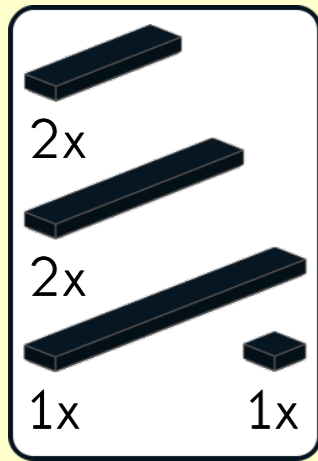
7



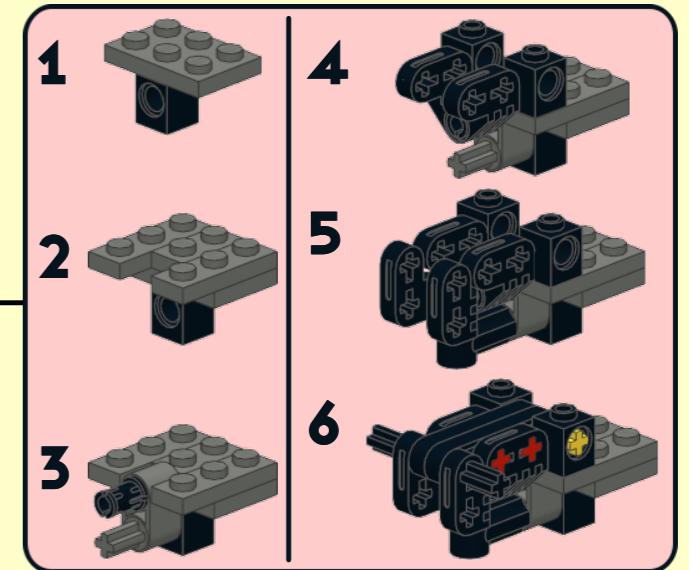
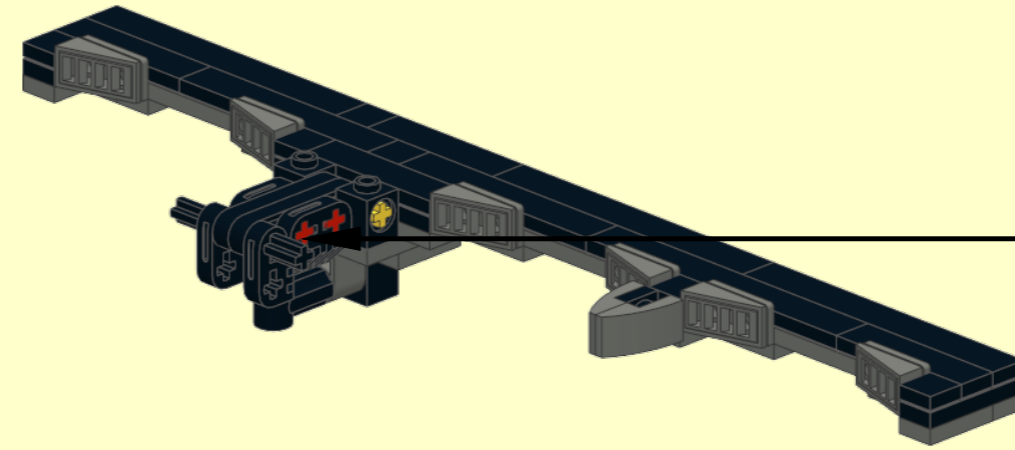
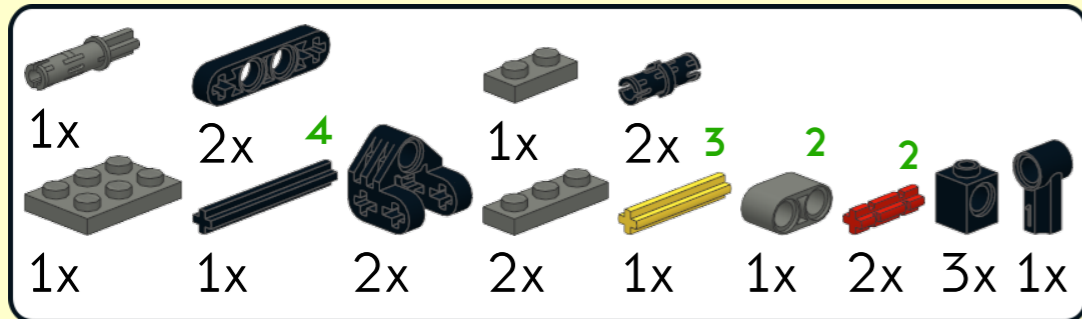
8



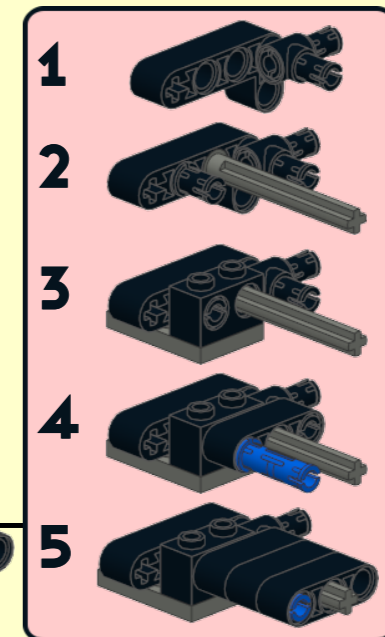
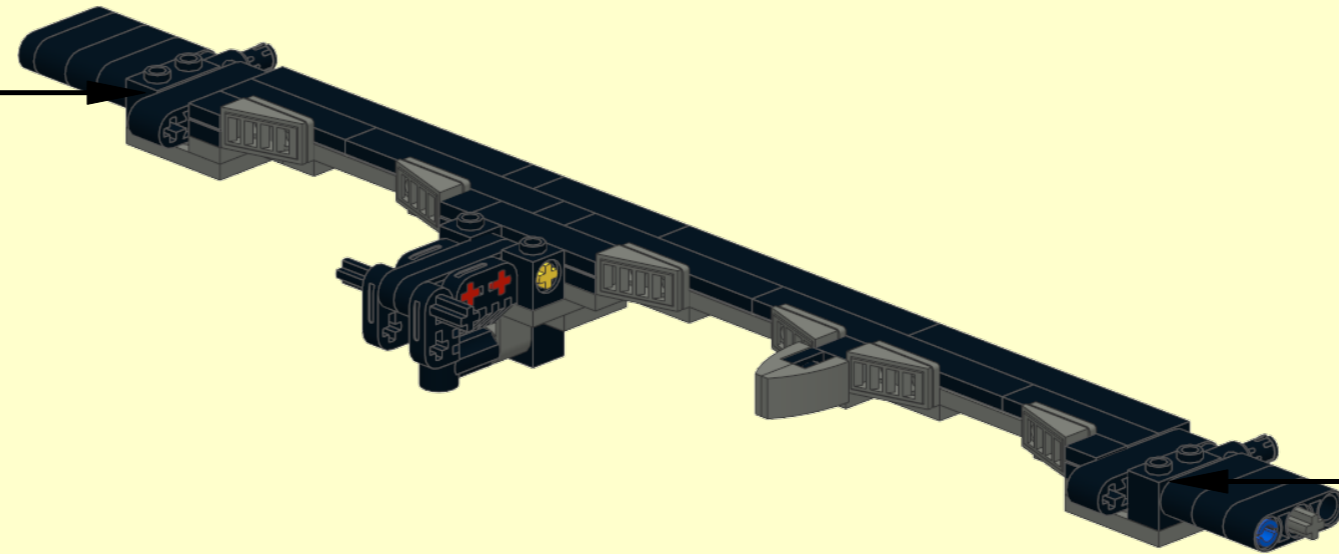
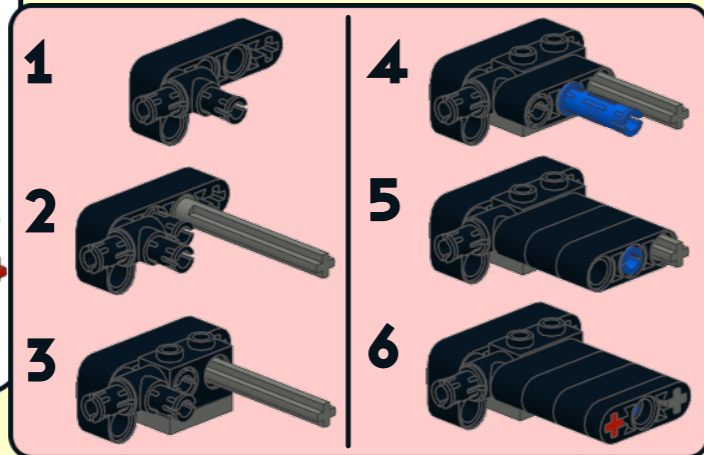
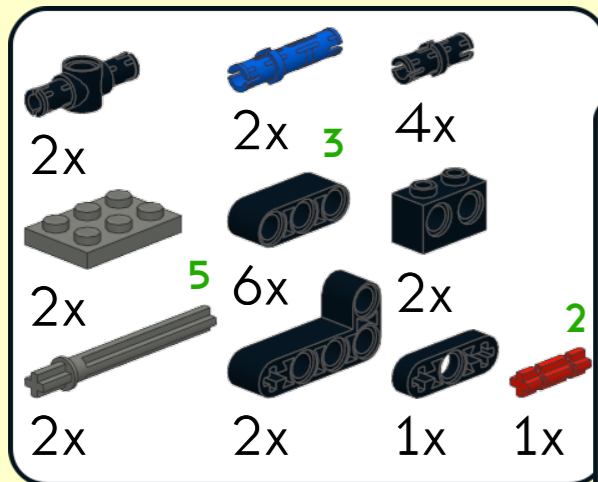
9



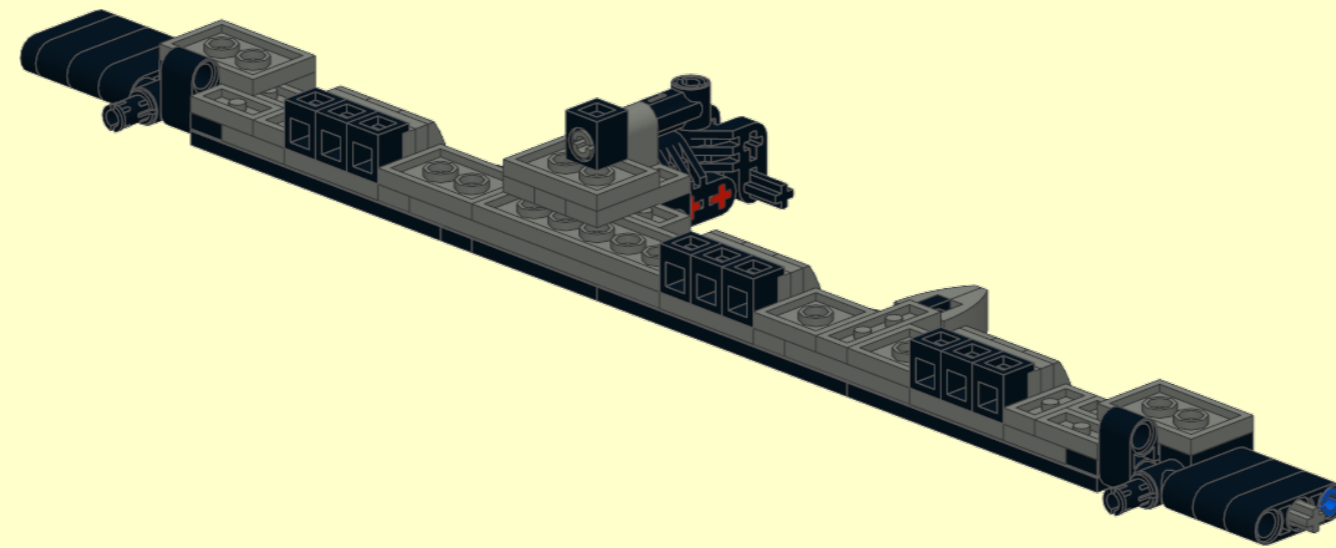
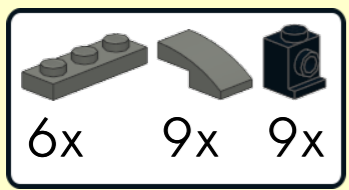
10

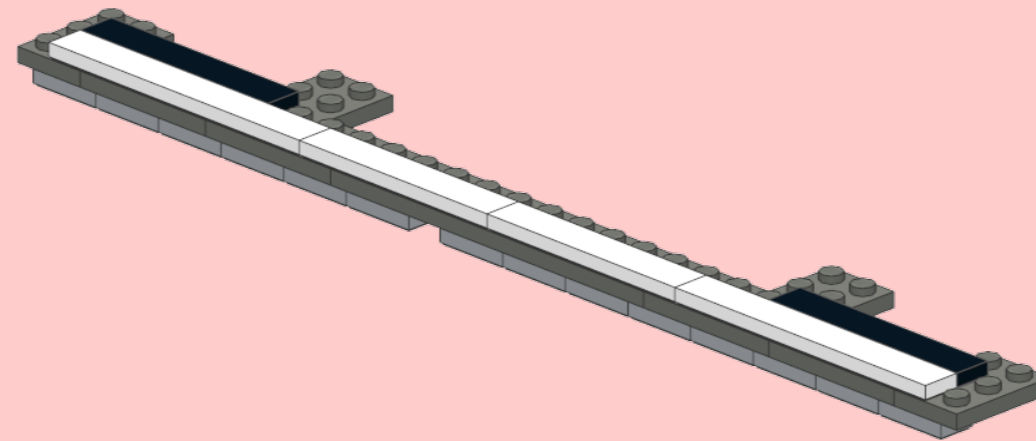
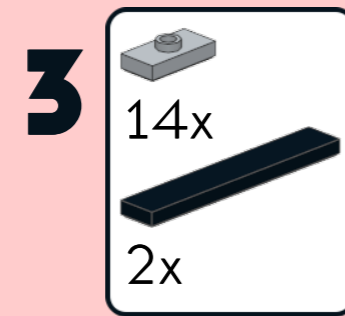
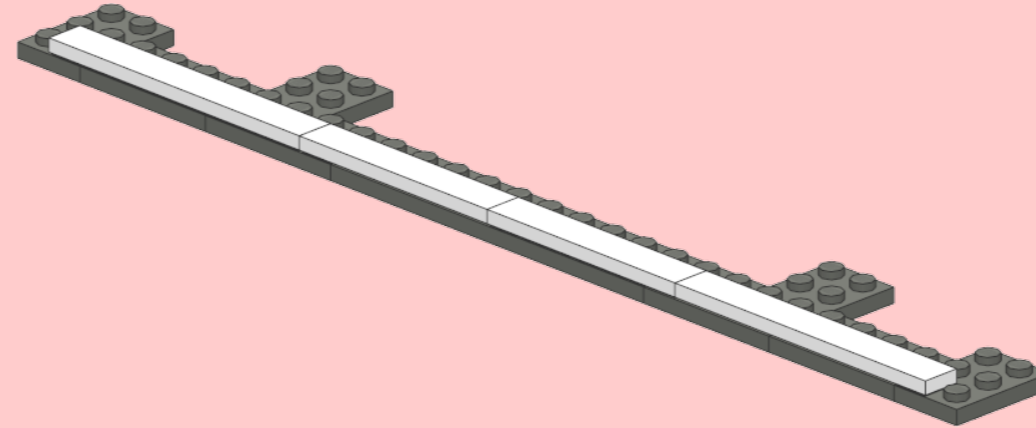
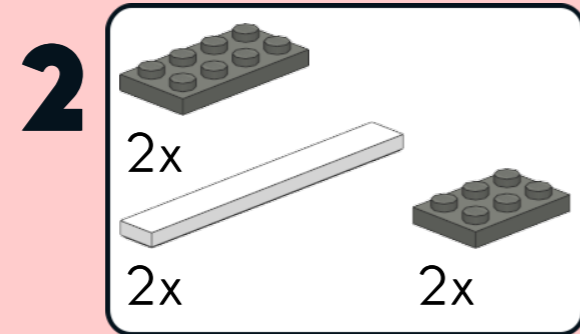
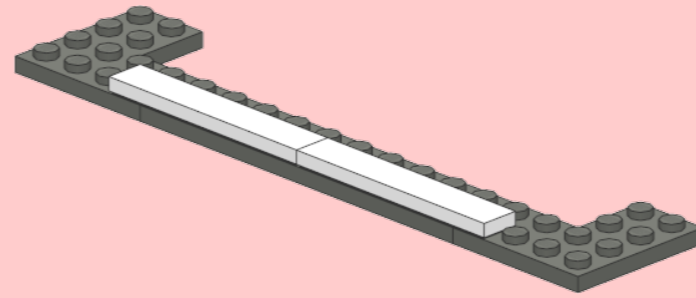
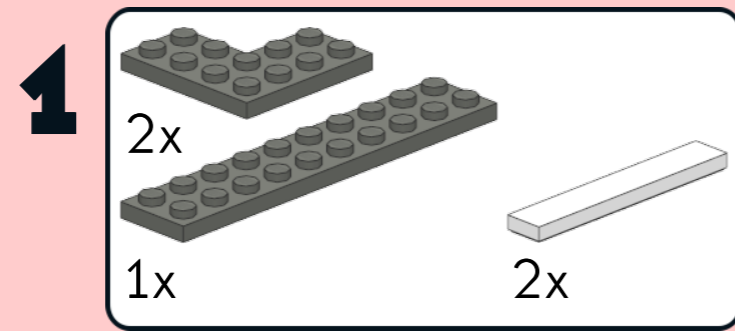


11



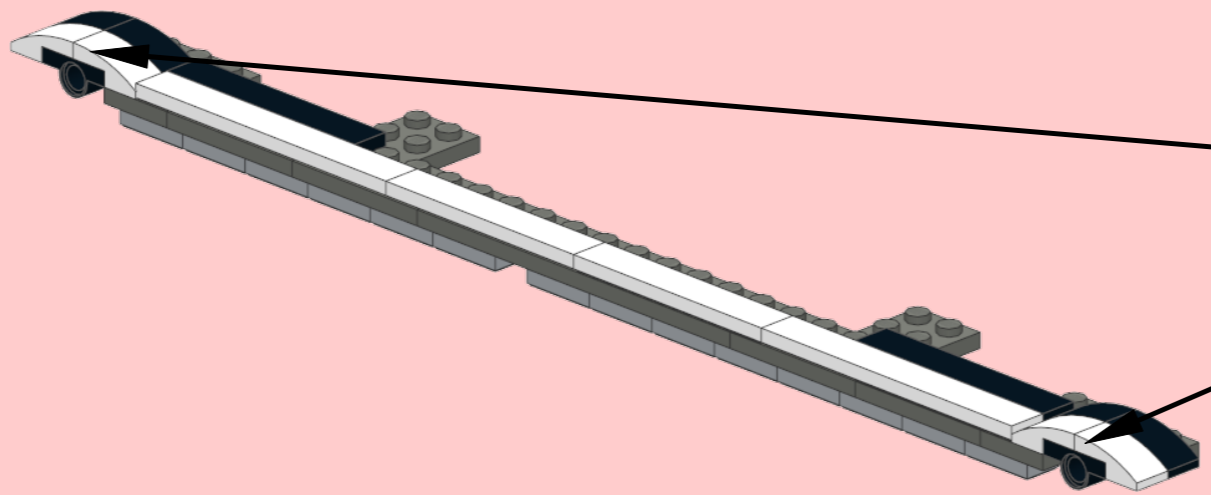
12





4

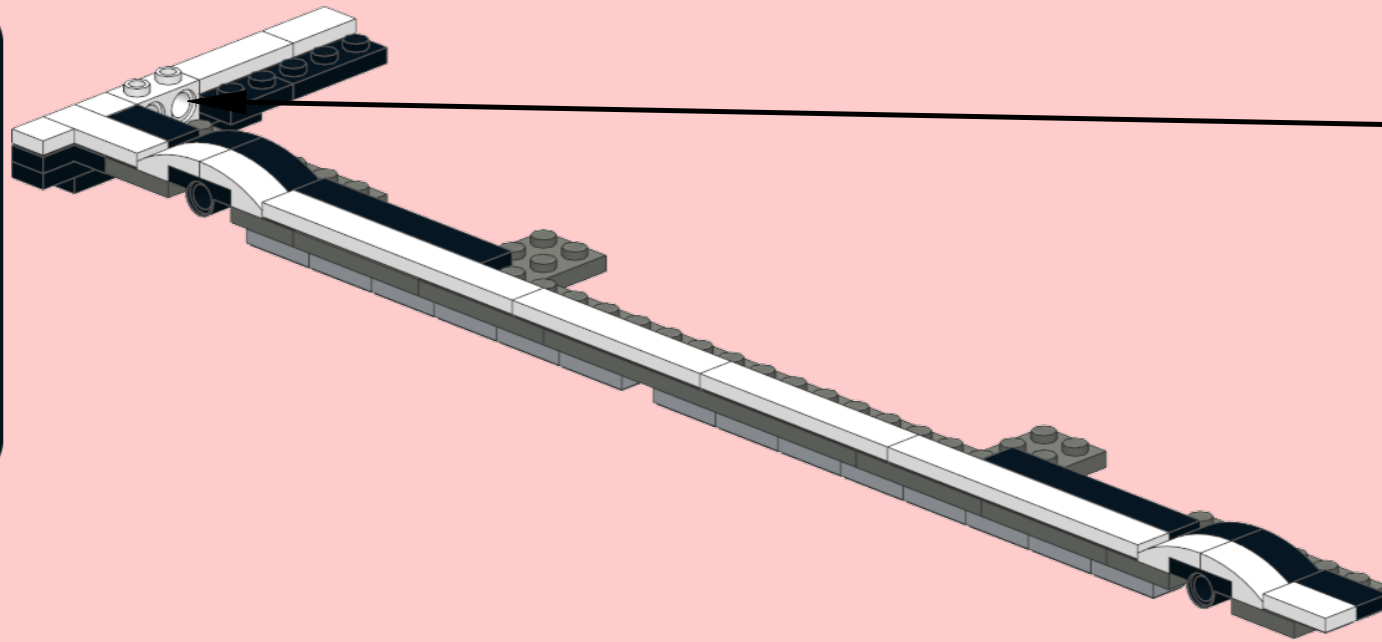
- 4x
- 2x
- 2x 4x



- 1
- 2 x2

5

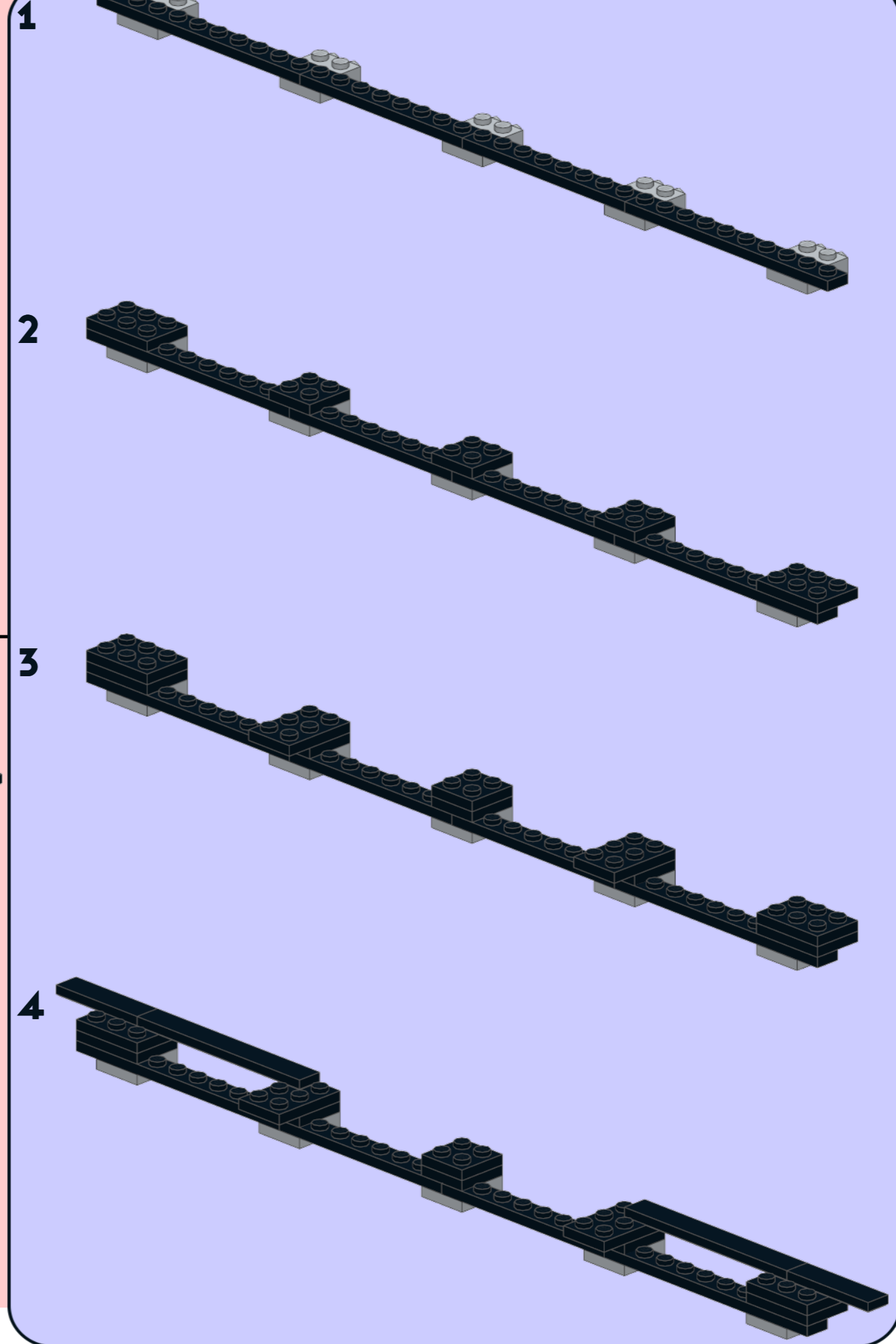
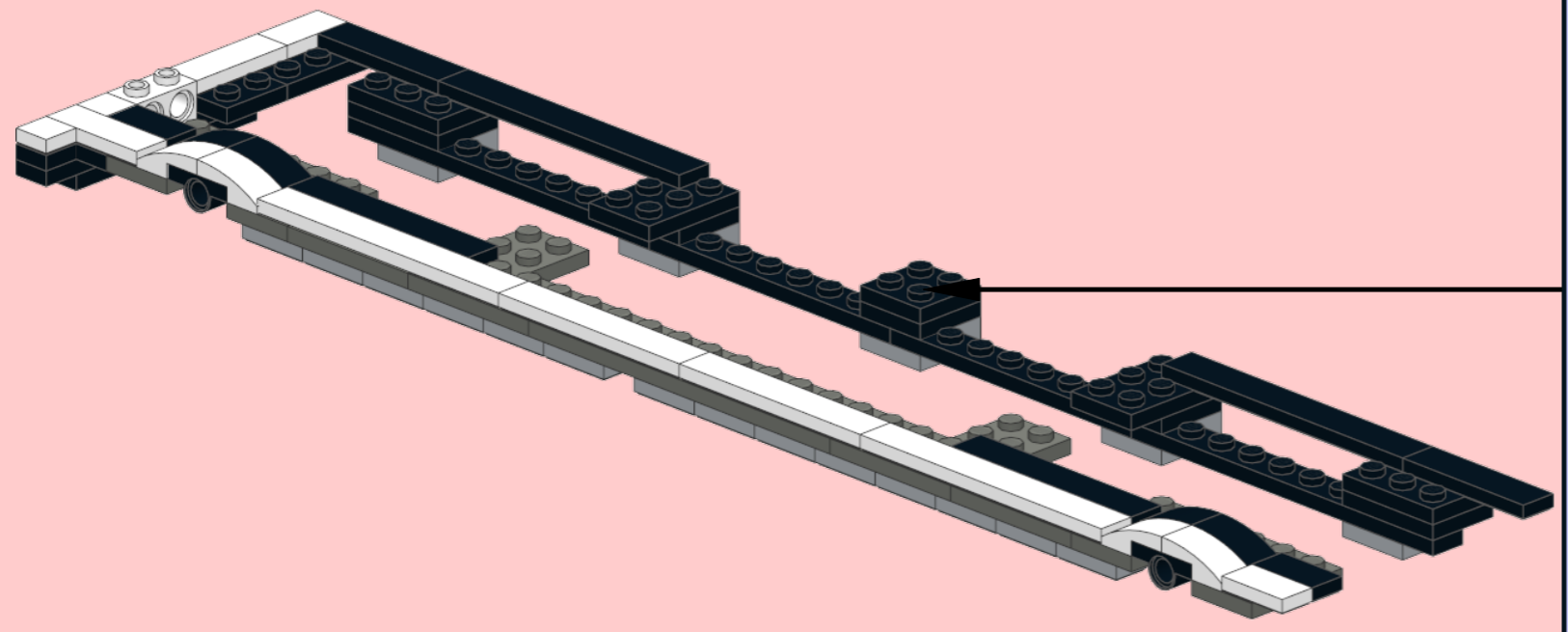
- 1x
- 1x
- 2x
- 1x
- 2x
- 2x
- 1x
- 2x
- 1x
- 2x
- 1x
- 2x
- 2x



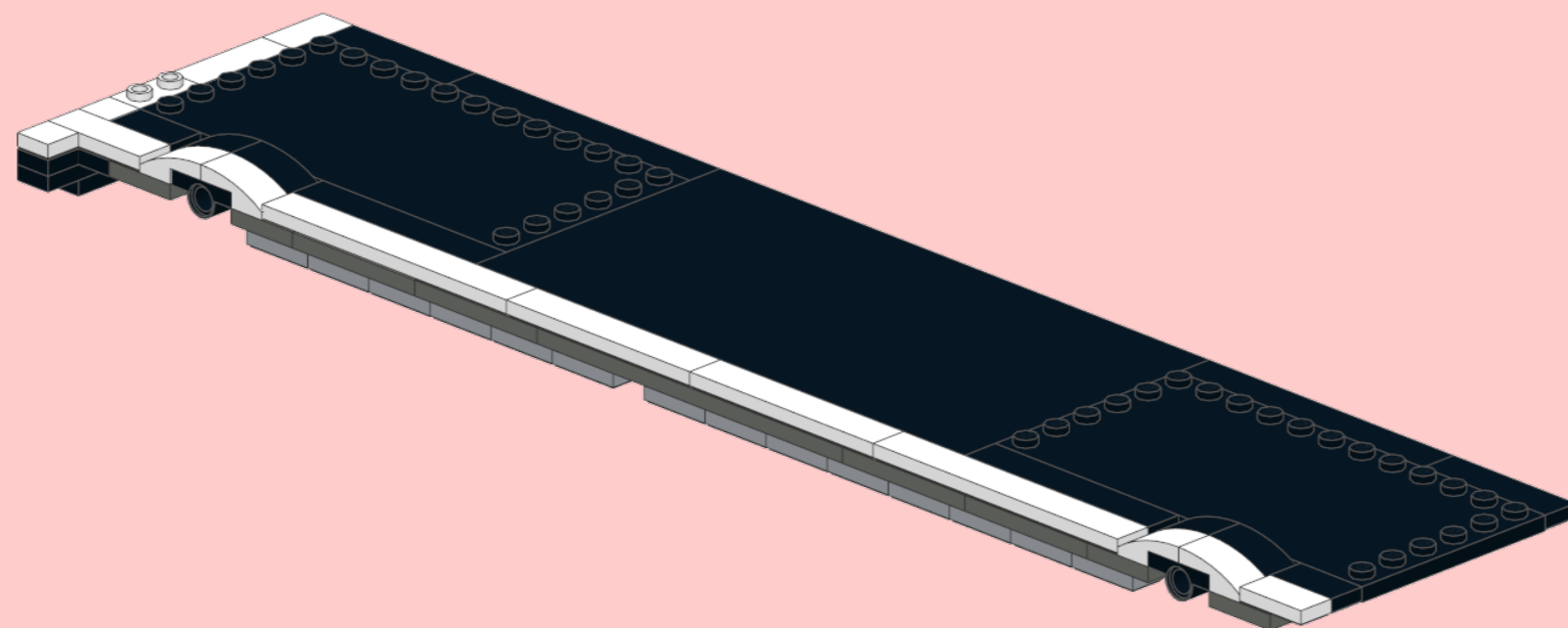
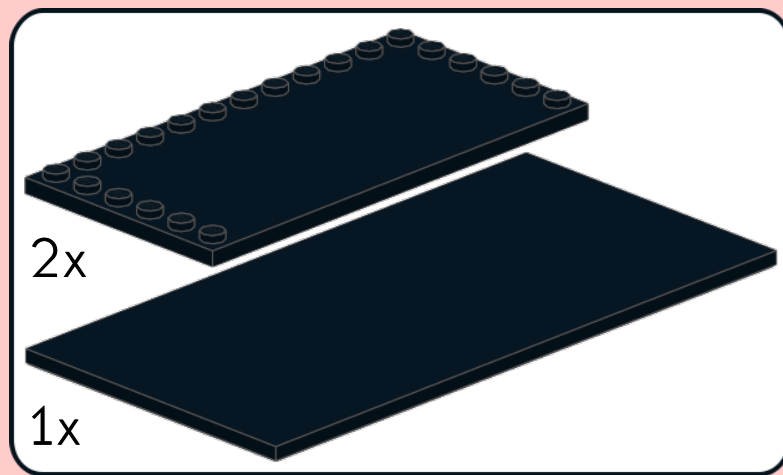
- 1
- 2
- 3
- 4

6

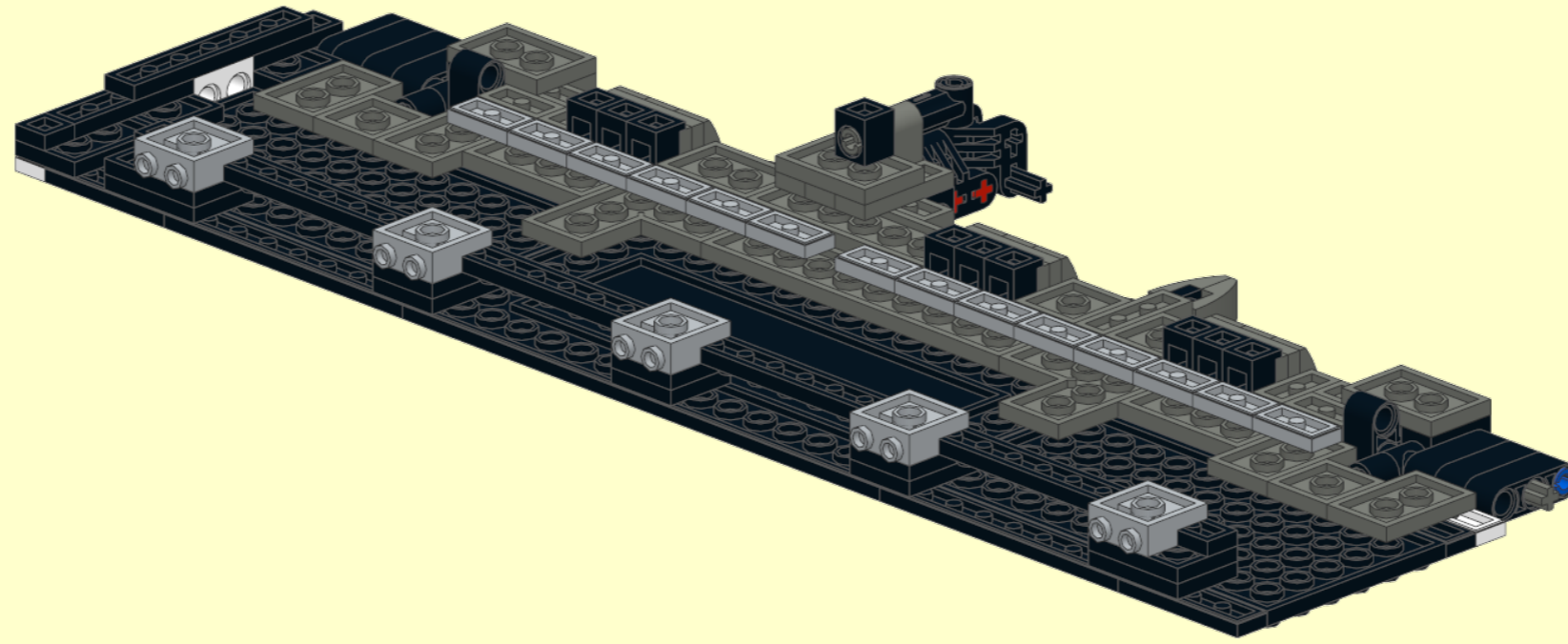
- 2x [1x10 black Technic beam]
- 2x [1x12 black Technic beam]
- 2x [1x15 black Technic beam]
- 2x [1x2 black Technic beam]
- 4x [1x2 black Technic Technic connector]
- 5x [1x2 grey Technic Technic connector]
- 6x [1x2 black Technic Technic connector]
- 2x [1x2 black Technic Technic connector]



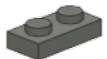




7

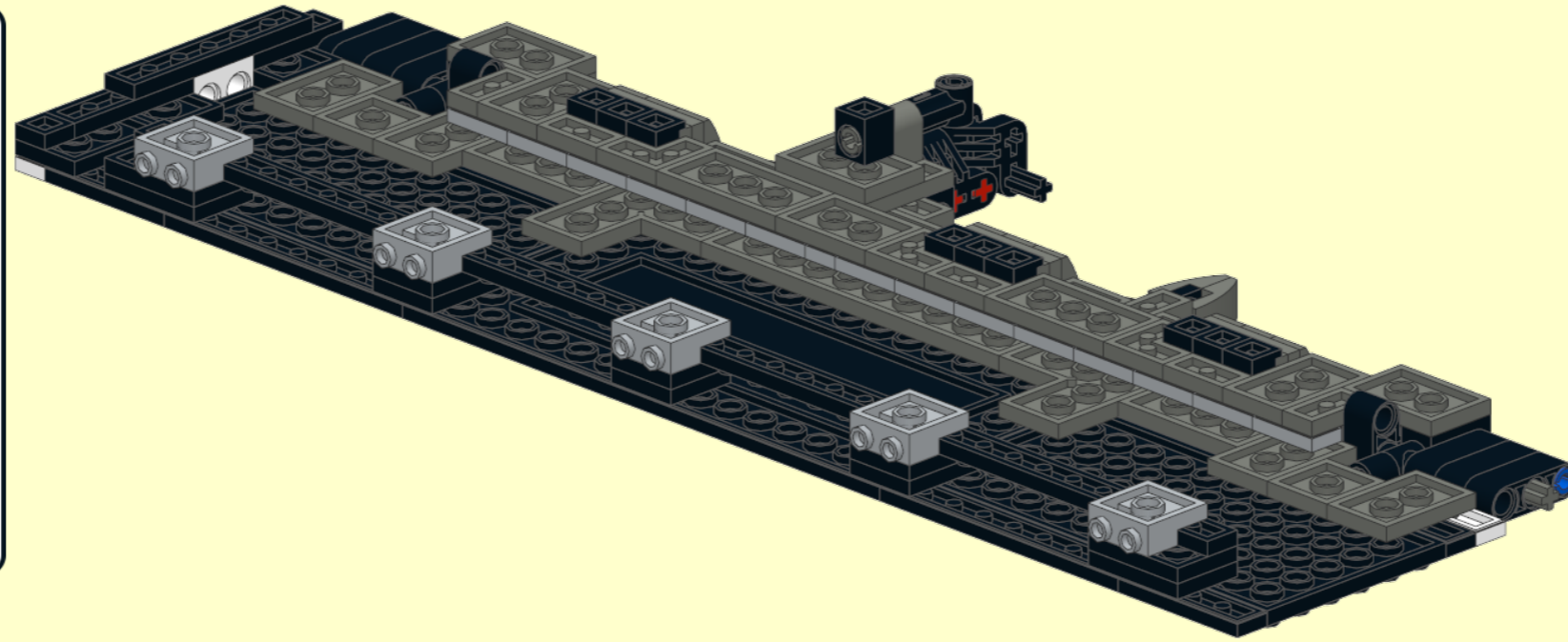


13

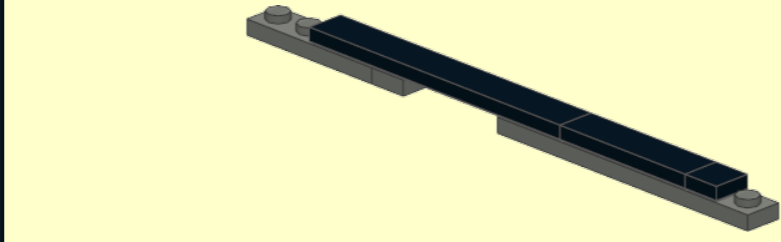
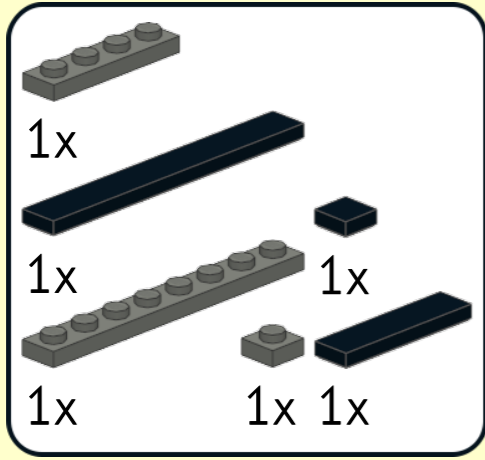


14

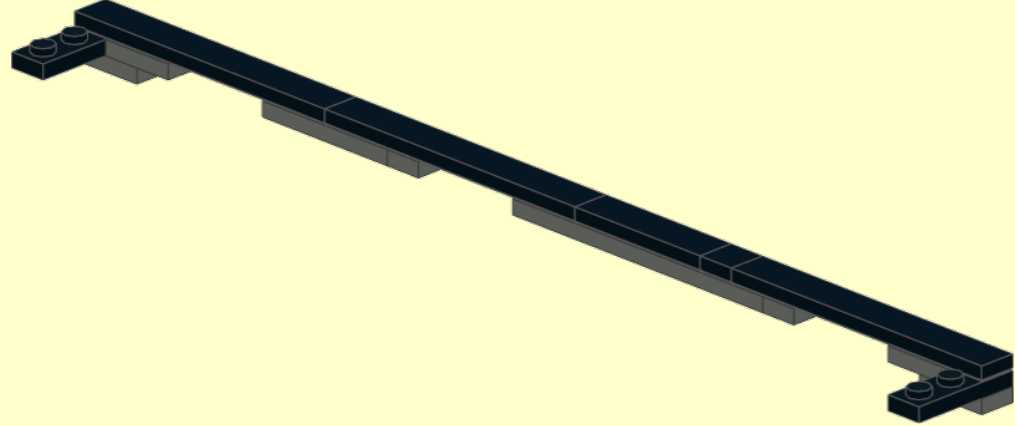
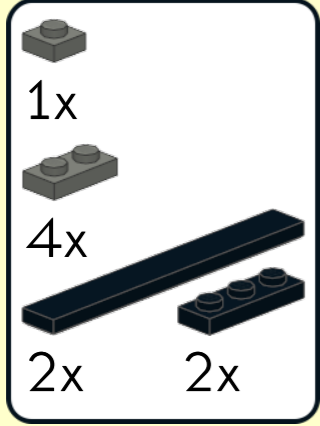
-  5x
-  3x
-  3x
-  2x
-  1x



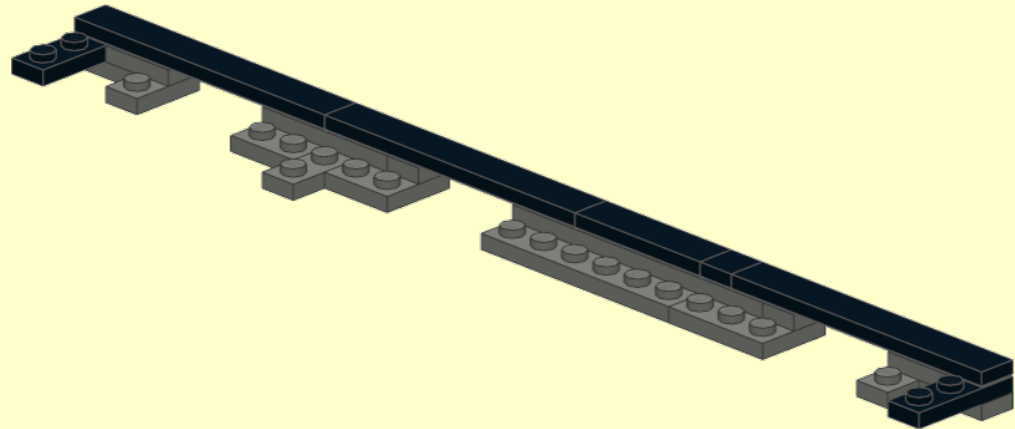
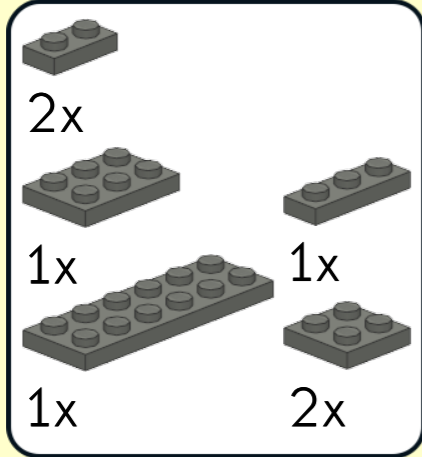
1



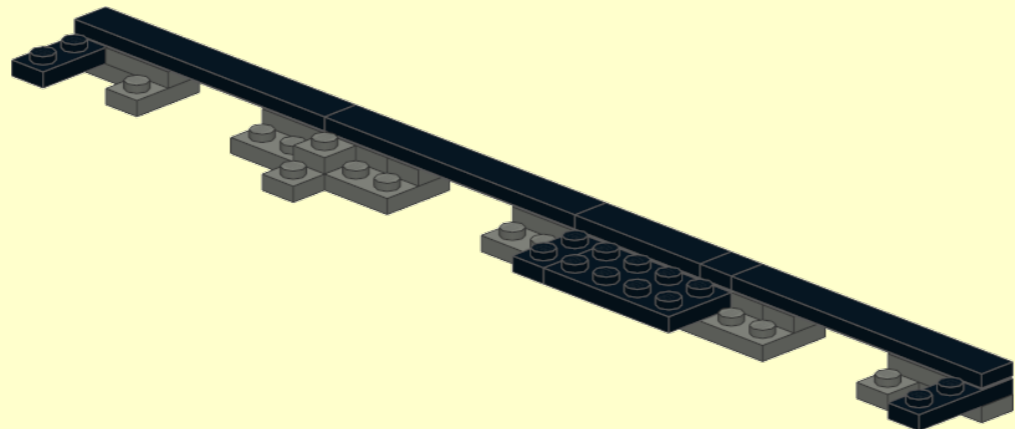
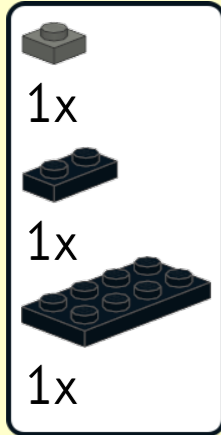
2



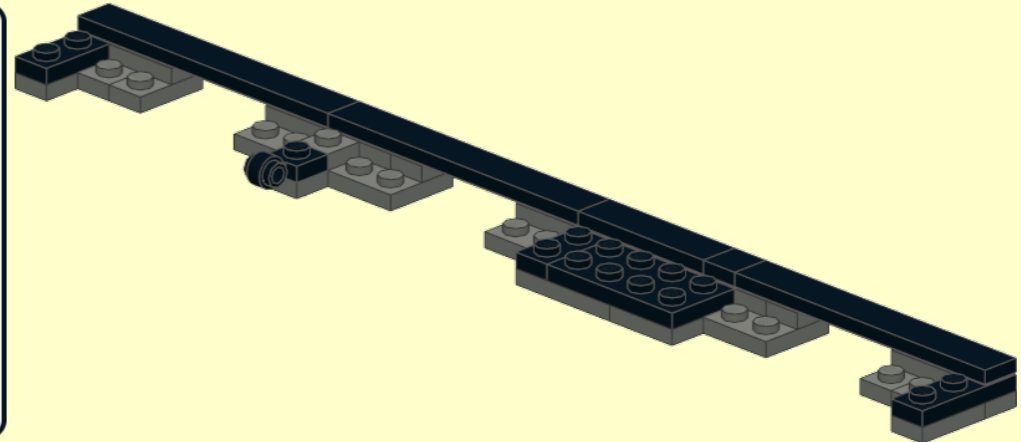
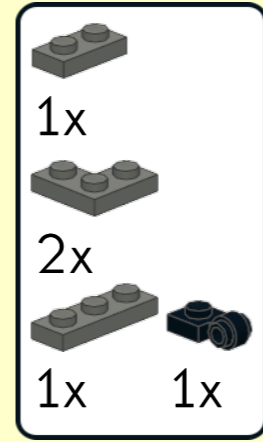
3



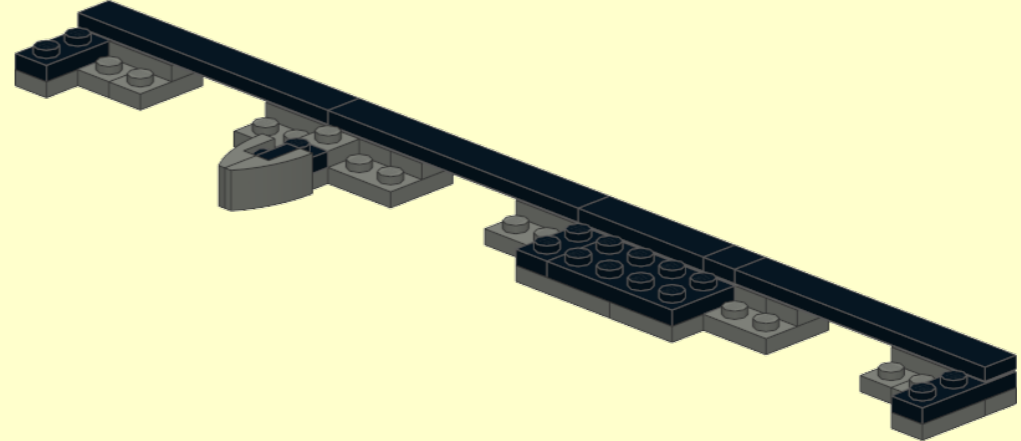
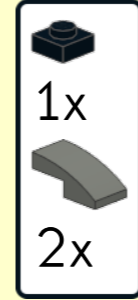
4



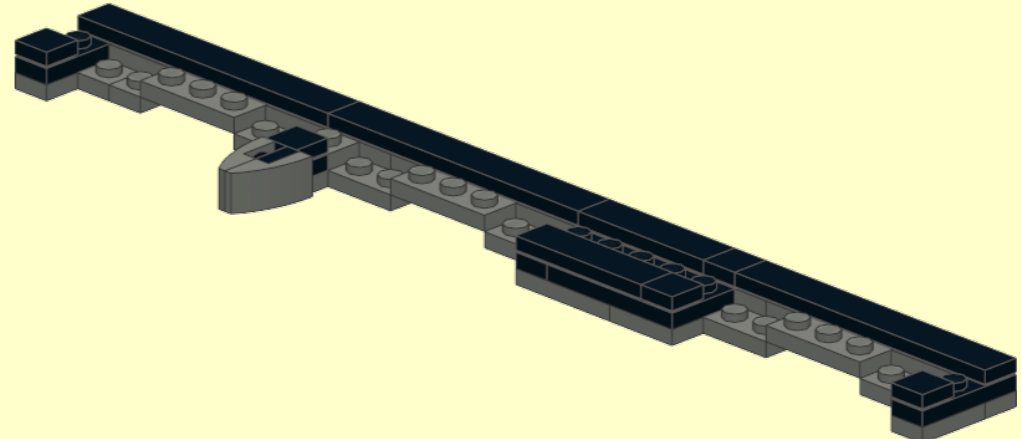
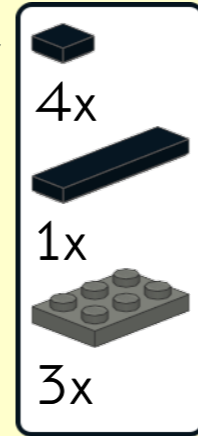
5



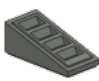
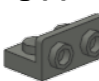
6

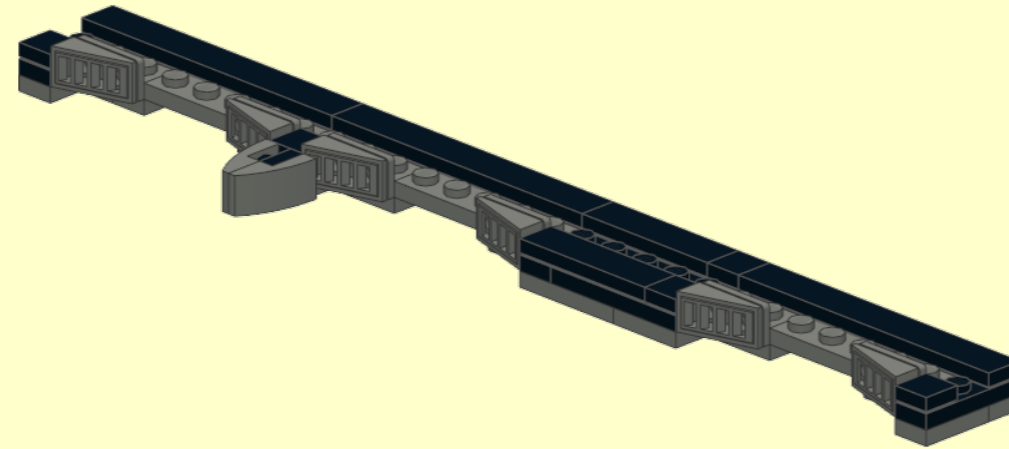


7




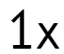


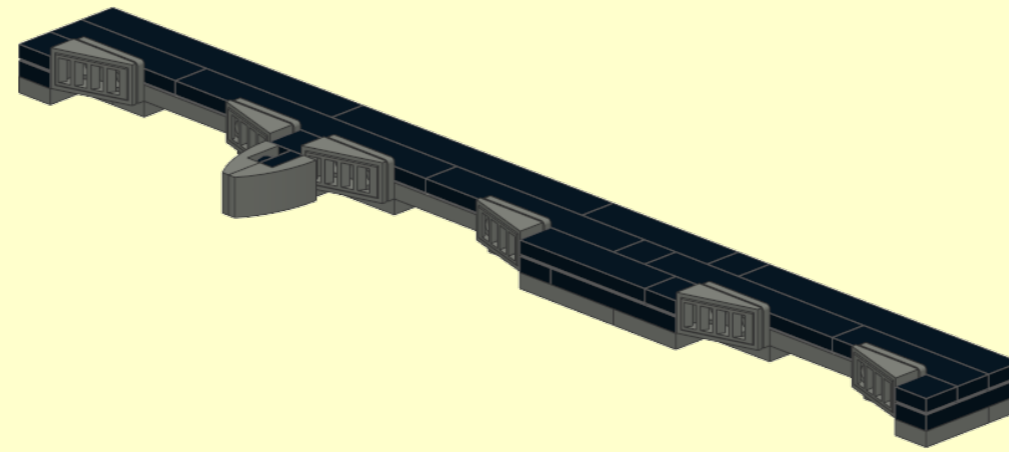
8

-  6x
-  6x








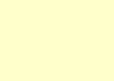






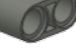
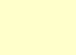





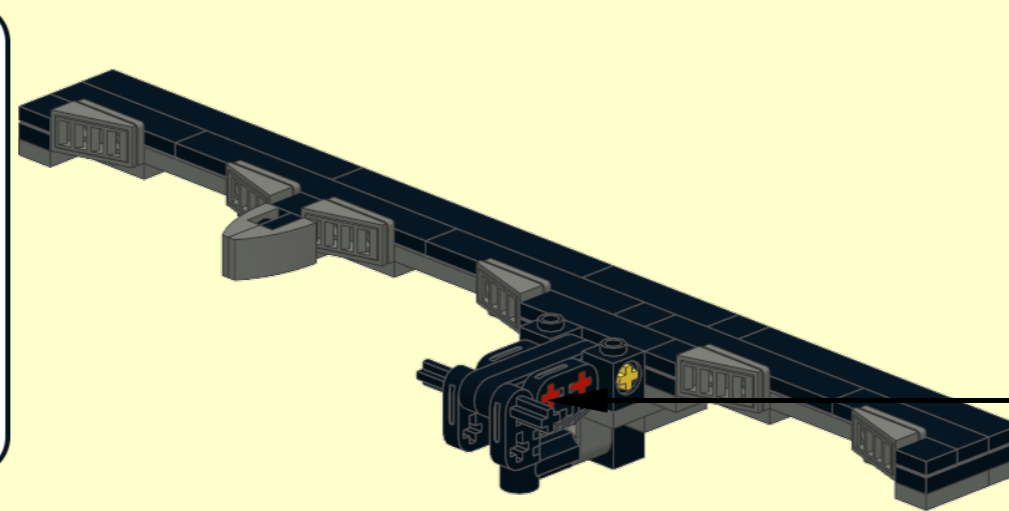
9

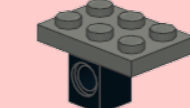
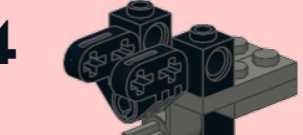




-  2x
-  2x
-  1x
-  1x



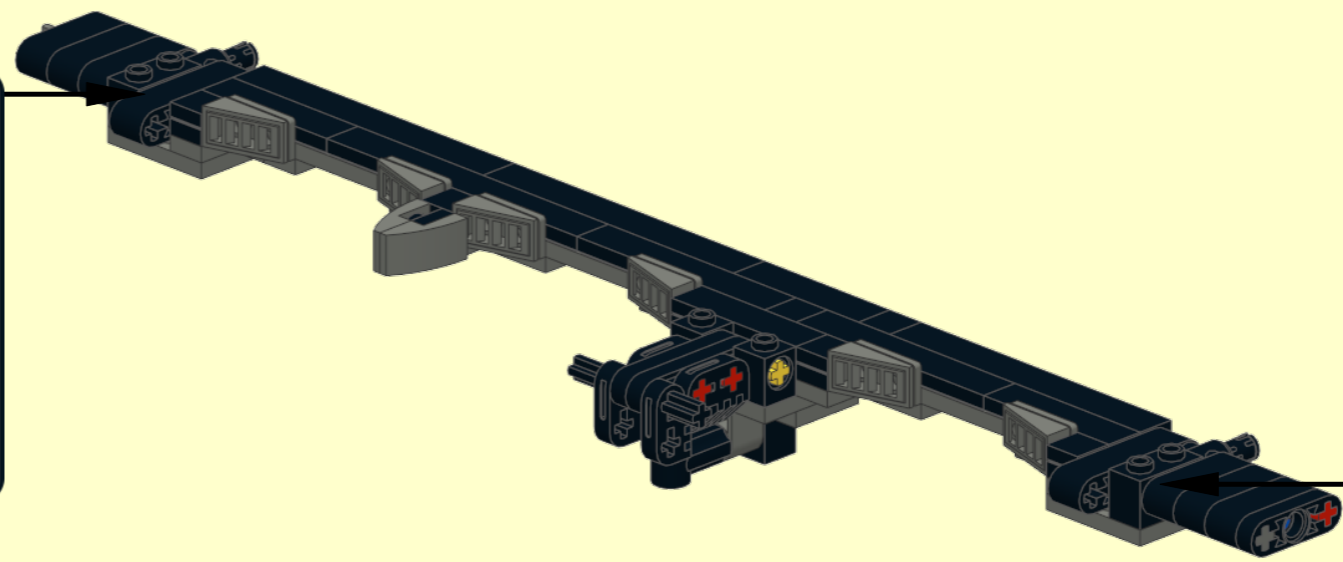
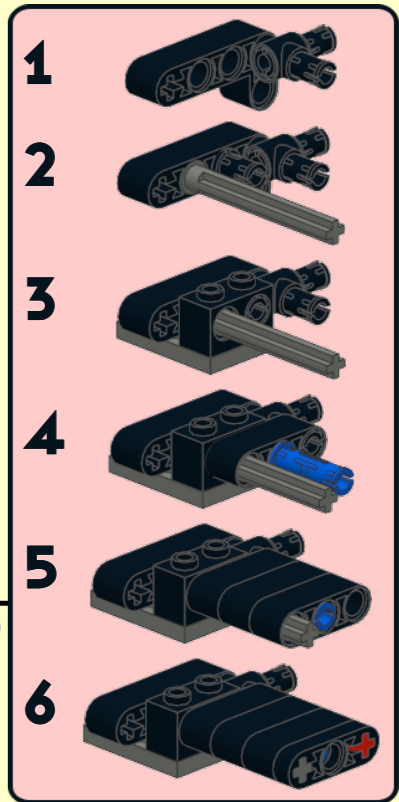
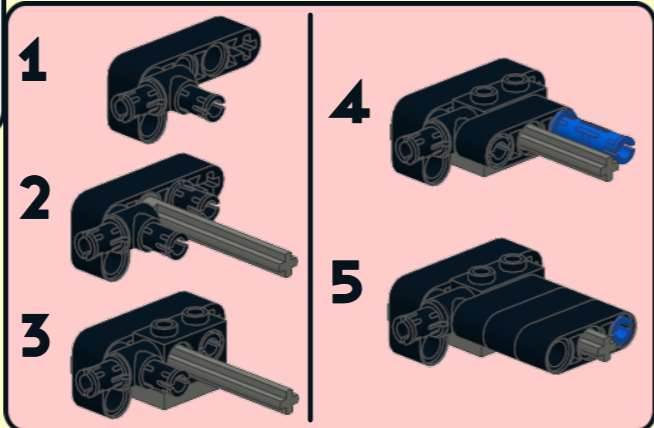
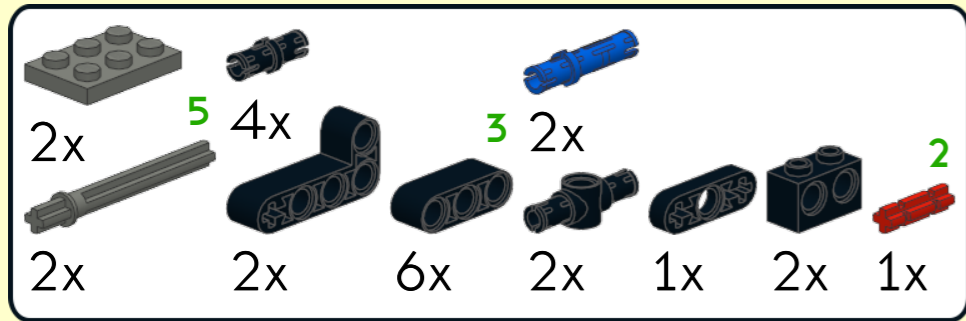
10

-  2x
-  2x
-  1x
-  1x
-  2x
-  2x
-  1x
-  1x
-  1x
-  3x
-  1x
-  1x
-  2x
-  2x
-  2x
-  3x
-  2x
-  2x
-  1x

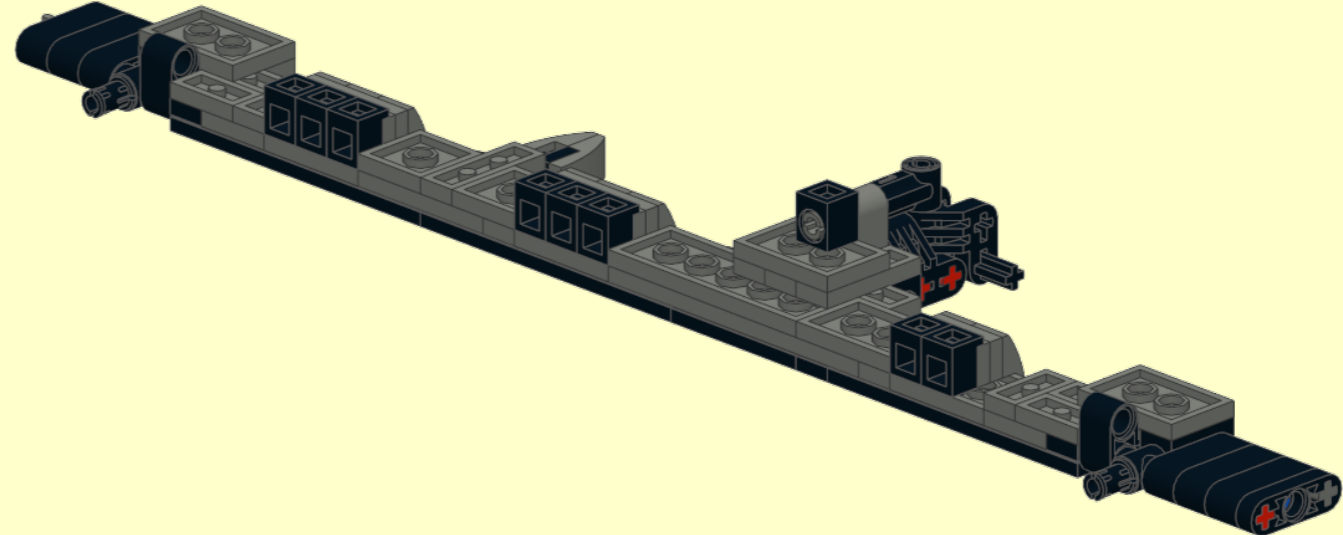
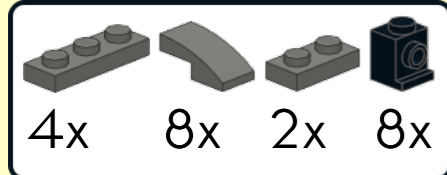


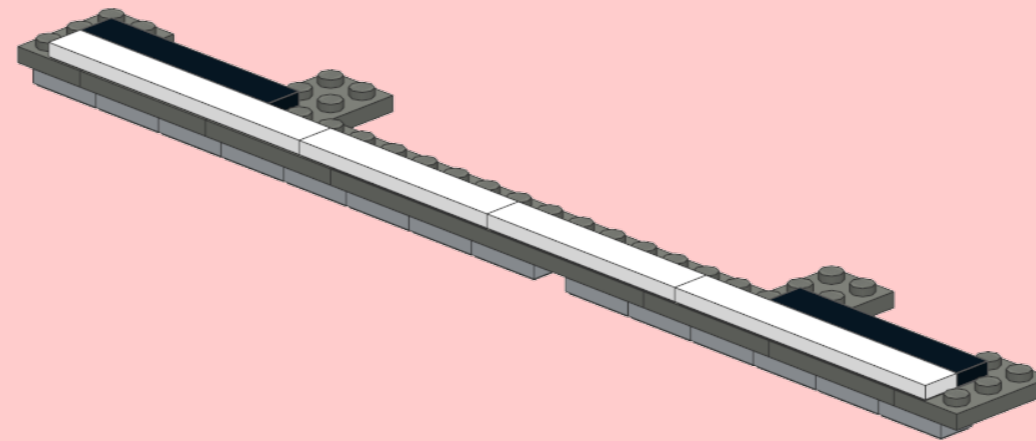
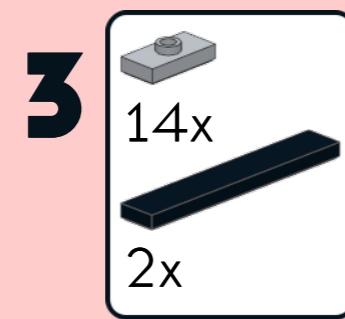
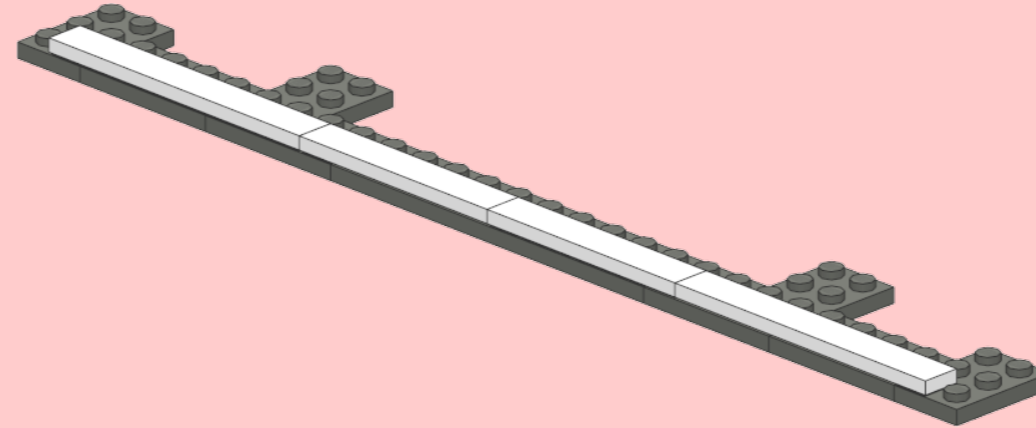
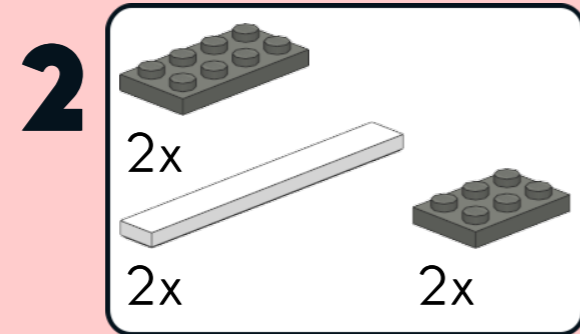
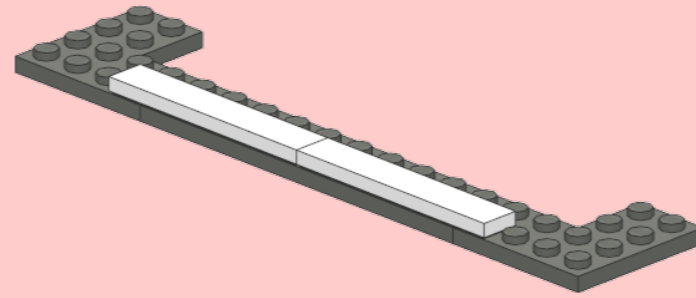
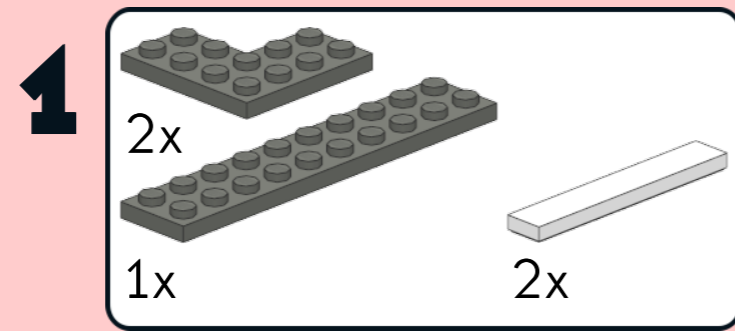
- | | |
|--|--|
| 1  | 4  |
| 2  | 5  |
| 3  | 6  |

11

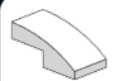





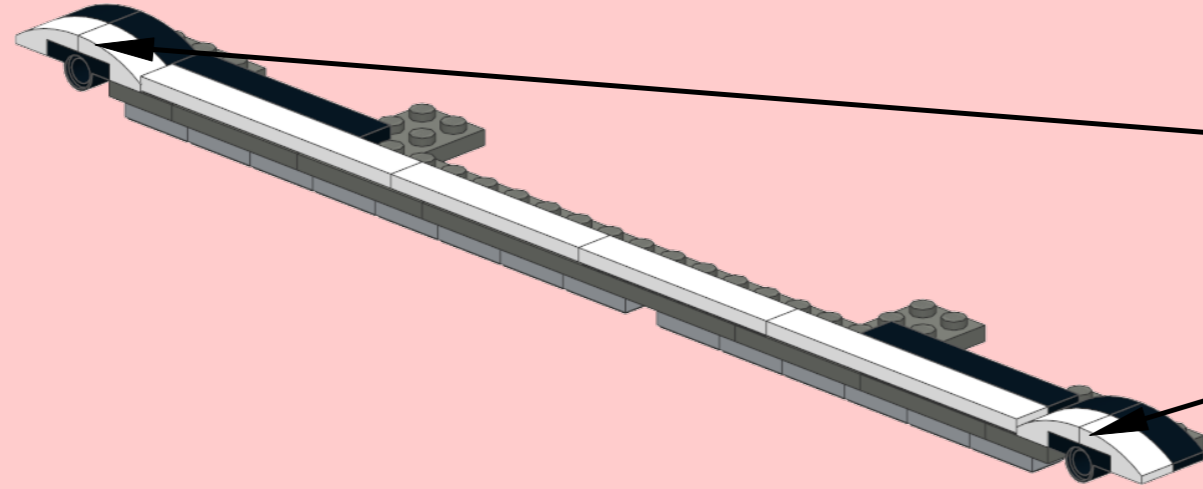
12

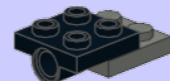
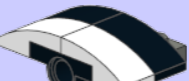




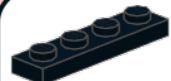


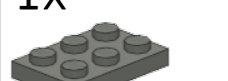


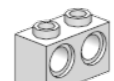
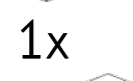
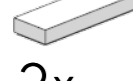









4

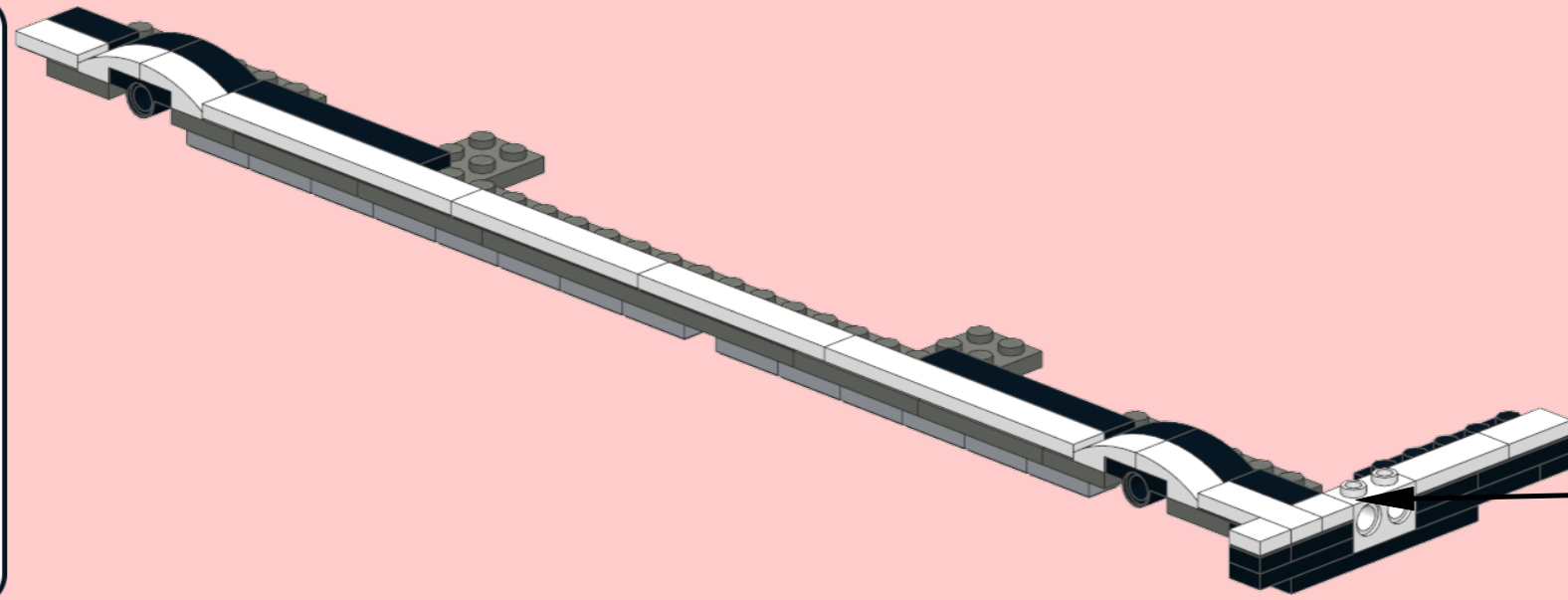
-  4x
-  2x
-  2x
-  4x







- 1 
- 2  x2

5

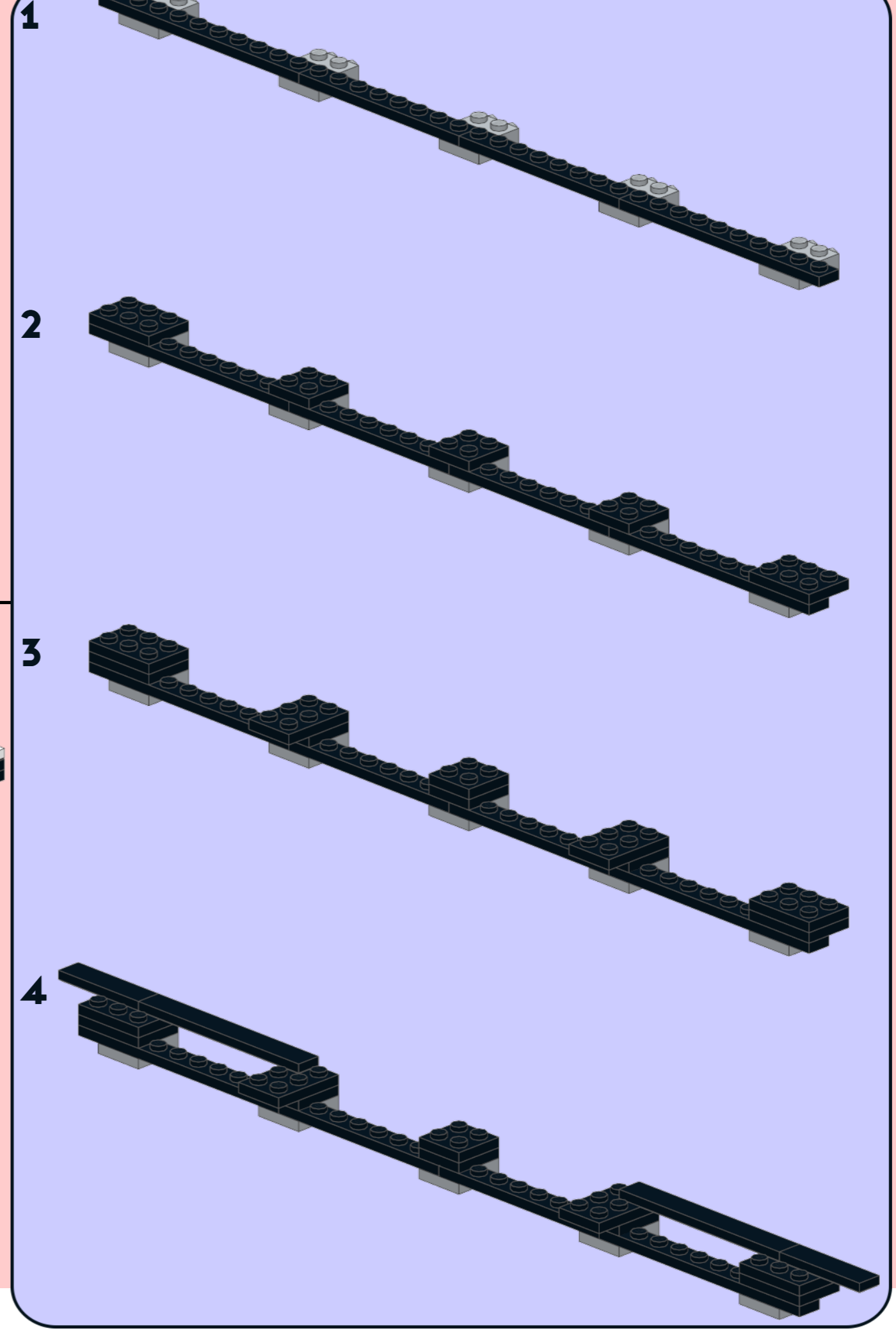
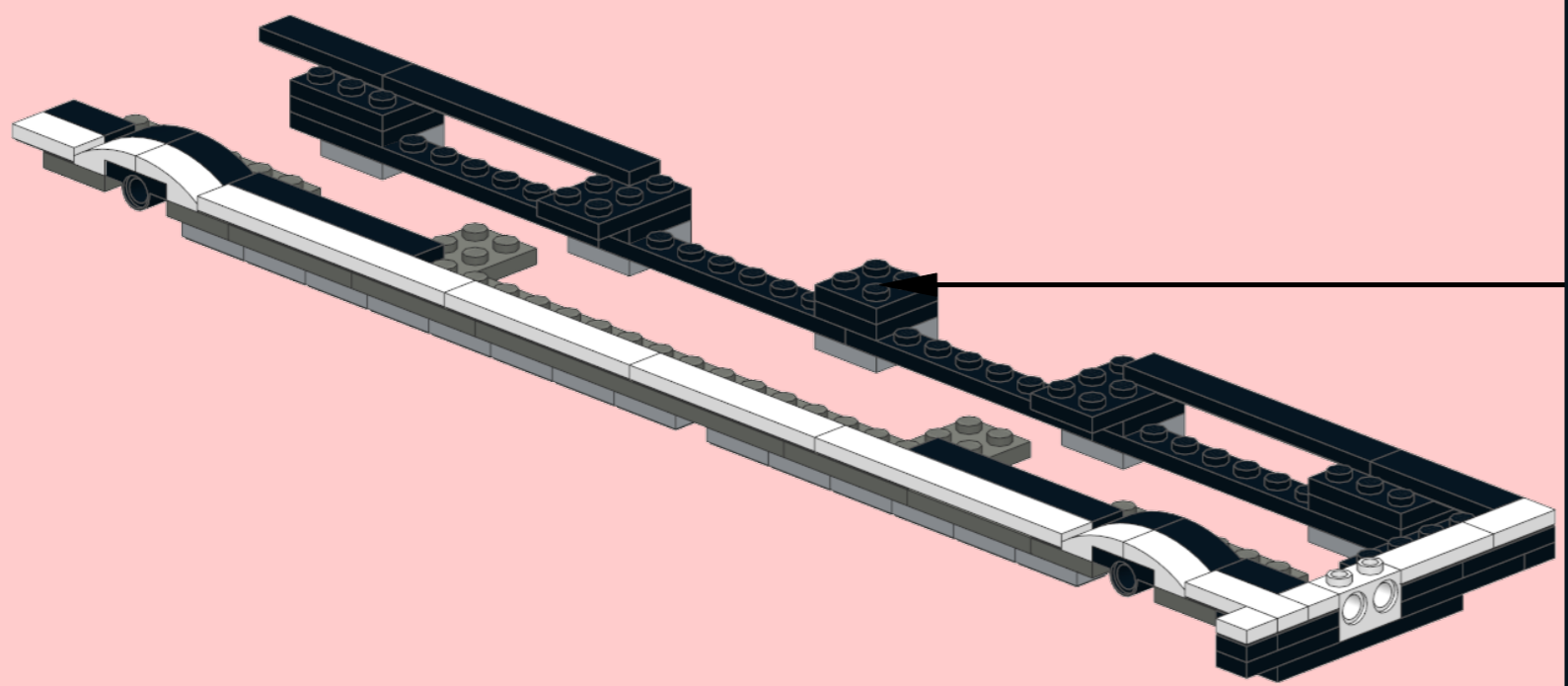
-  1x
-  1x
-  1x
-  2x
-  1x
-  1x
-  1x
-  2x
-  2x
-  1x
-  2x
-  2x
-  1x
-  2x
-  2x
-  2x
-  2x
-  2x



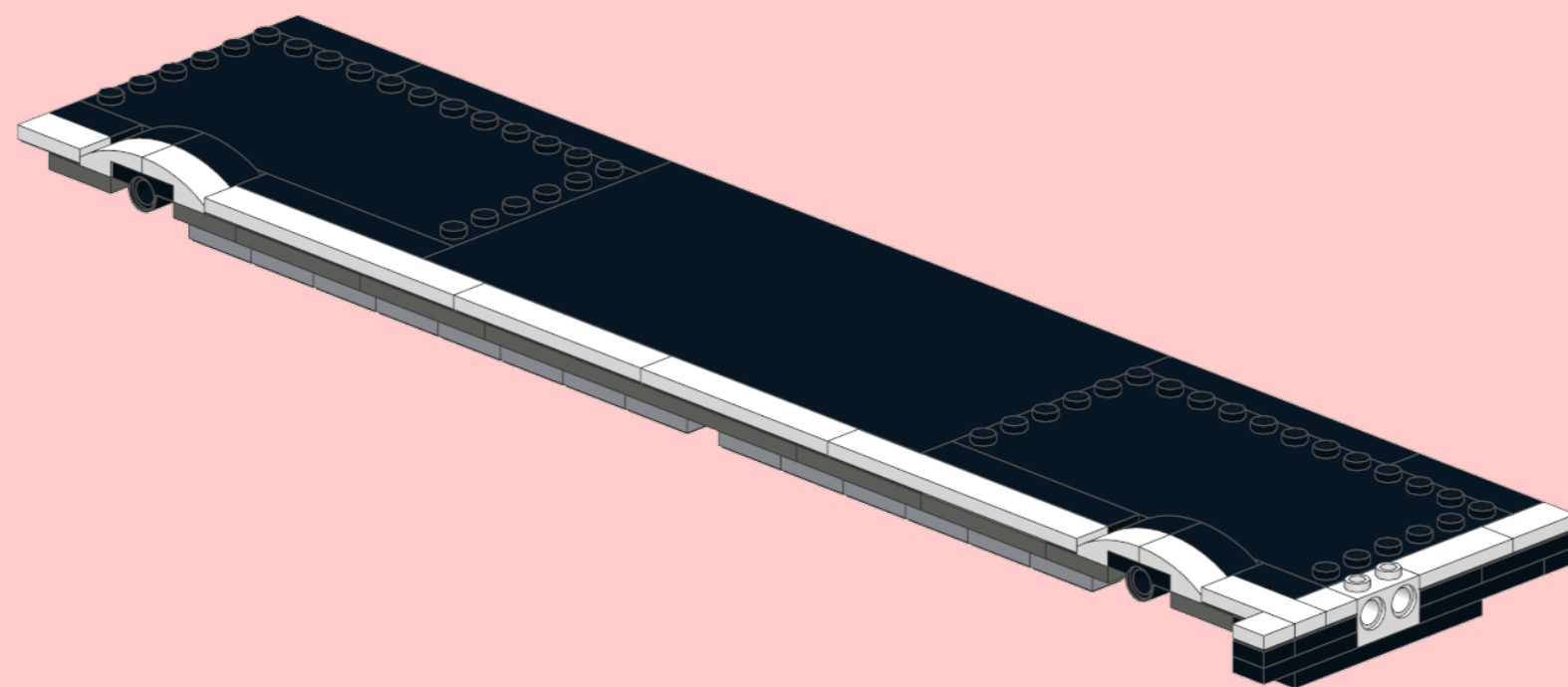
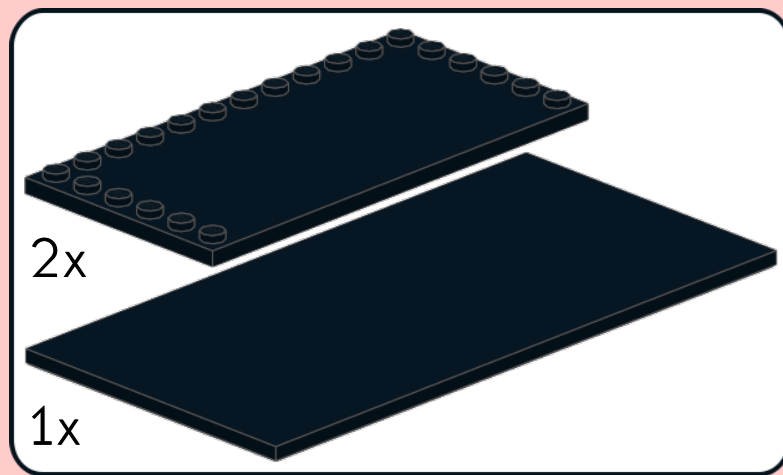
- 1  1x
- 2  1x
- 3  1x
- 4  1x

6

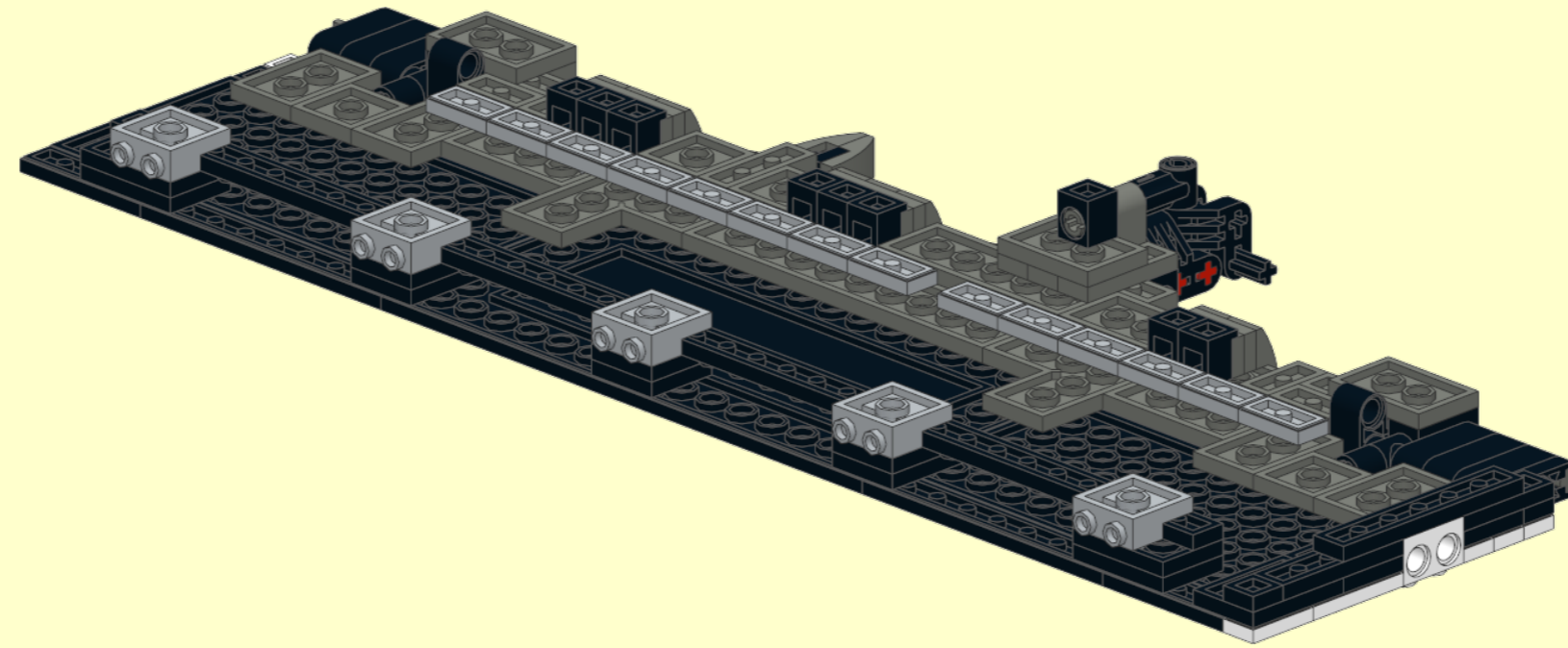
- 2x [1x10 black Technic beam]
- 2x [1x12 black Technic beam]
- 2x [1x15 black Technic beam]
- 2x [1x2 black Technic beam]
- 4x [1x2 black Technic Technic connector]
- 5x [1x2 grey Technic Technic connector]
- 6x [1x2 black Technic Technic connector]
- 2x [1x2 black Technic Technic connector]








7

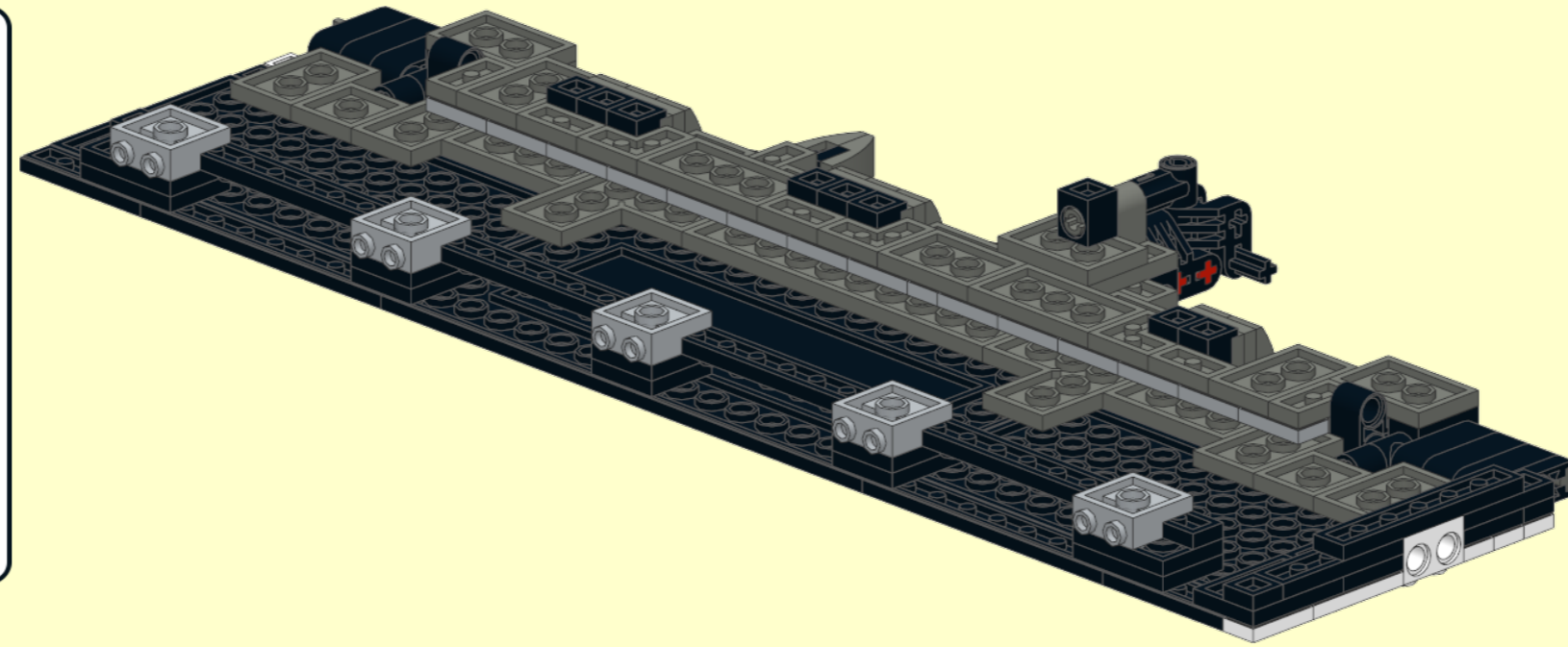


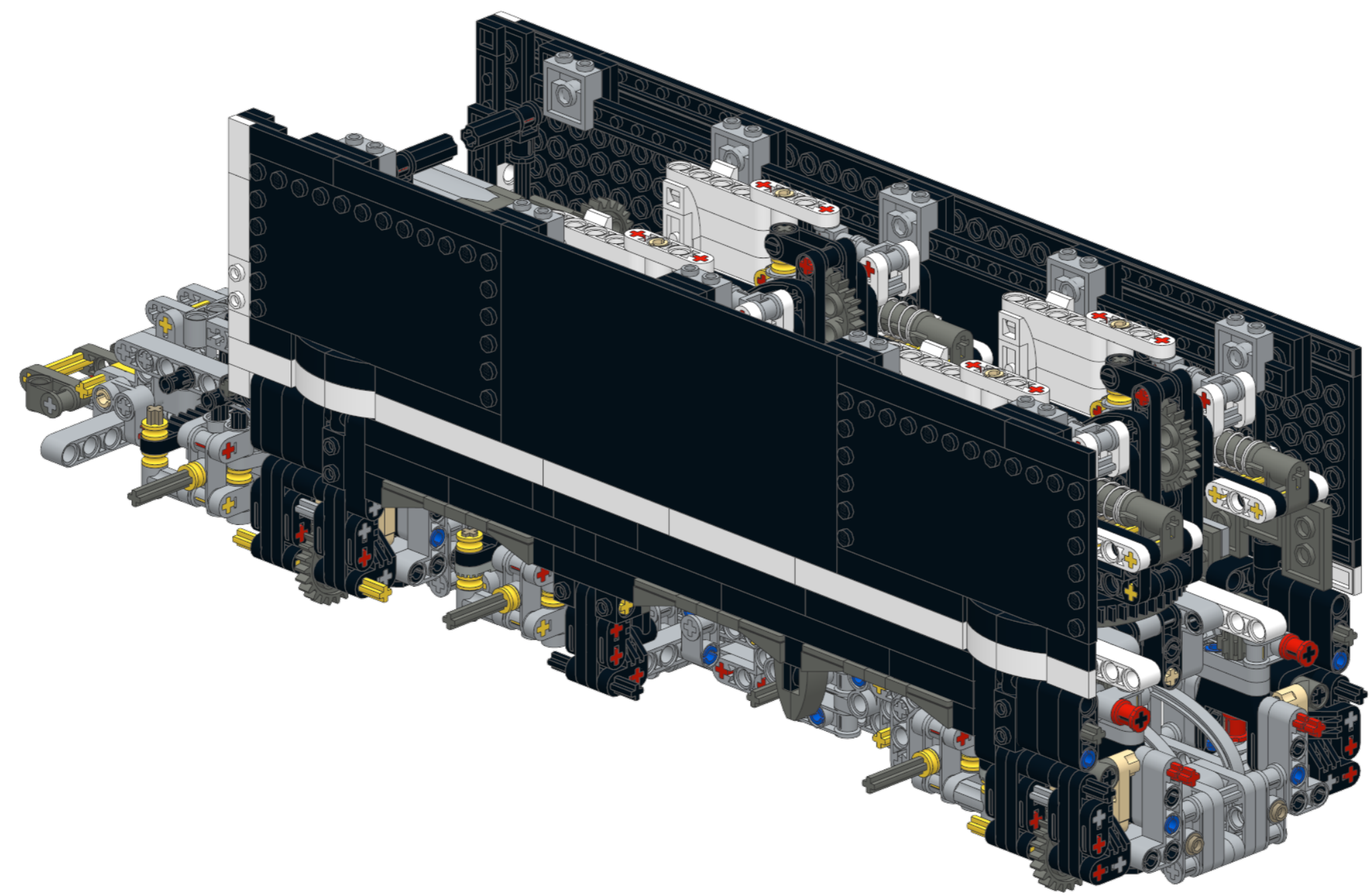
13











14

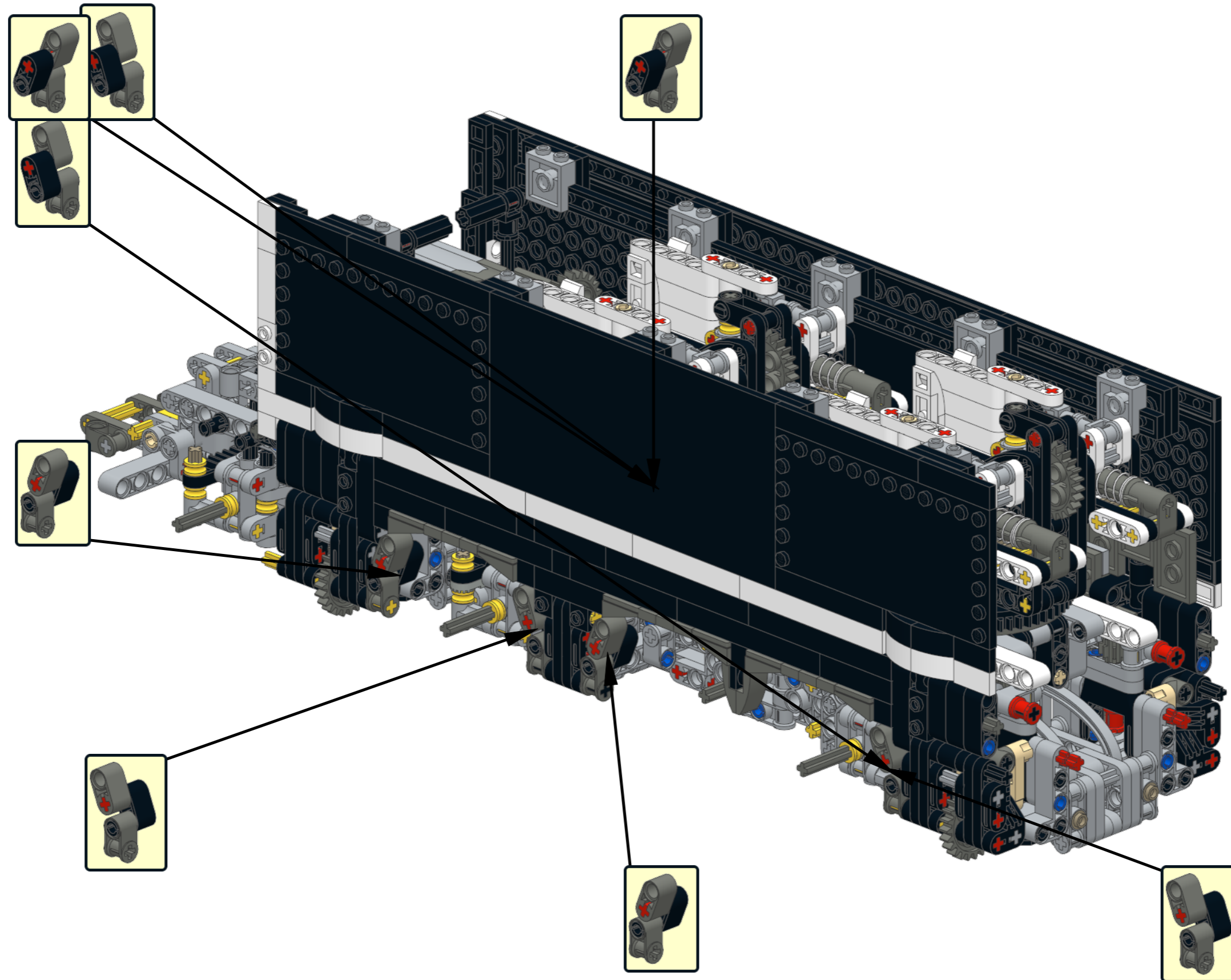
-  5x
-  3x
-  3x
-  2x
-  1x









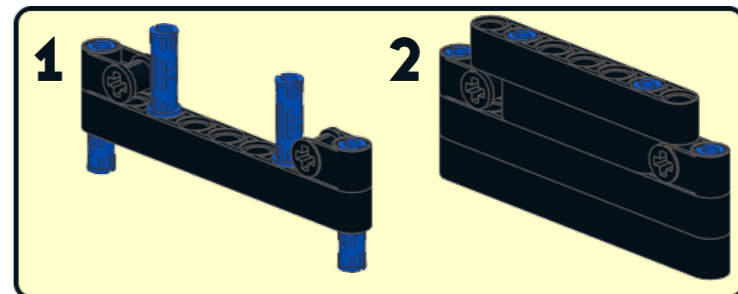
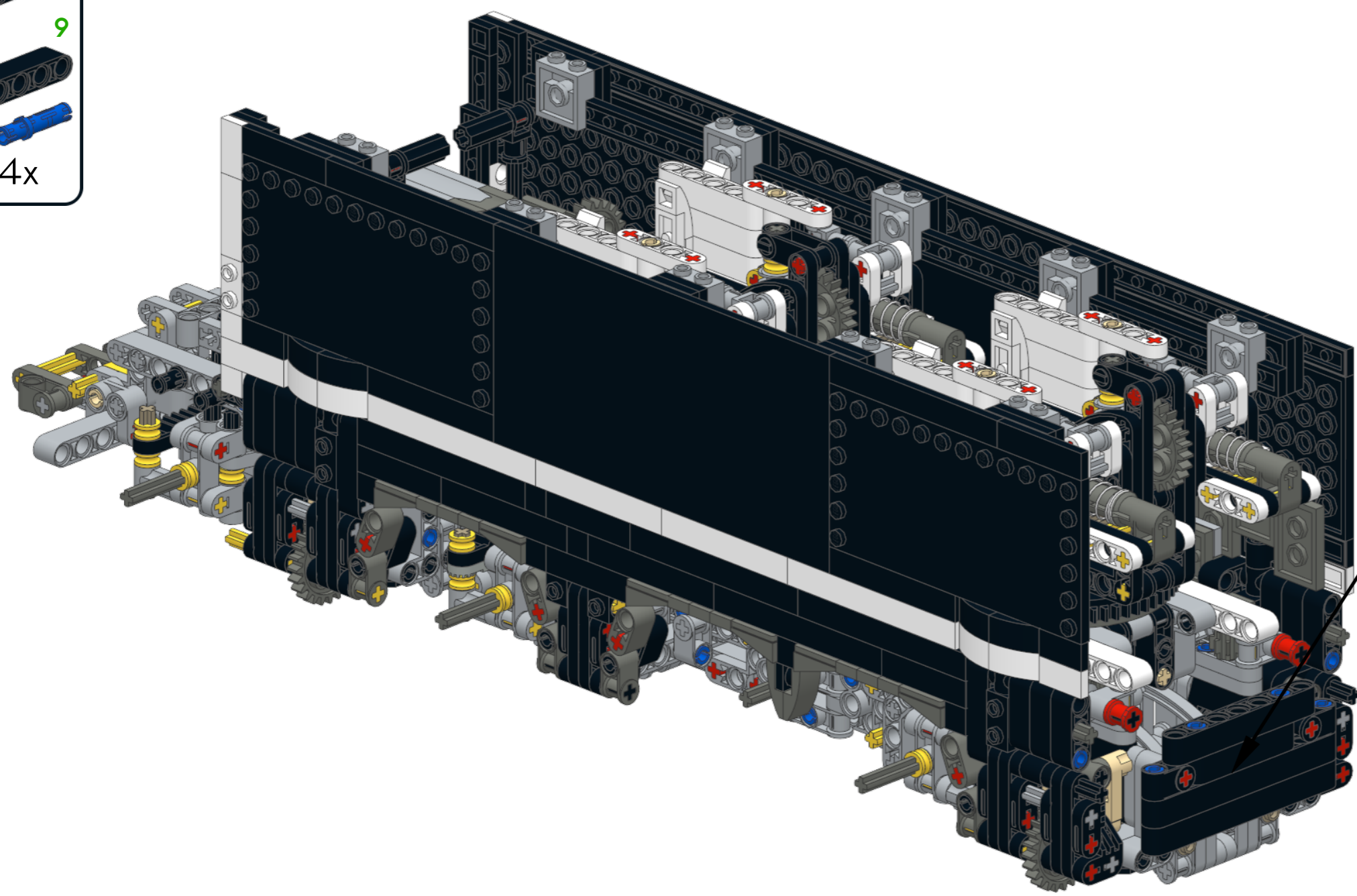
52

- 8x 
- 8x 
- 8x  8x 
- 8x  2 
- 8x  8x 

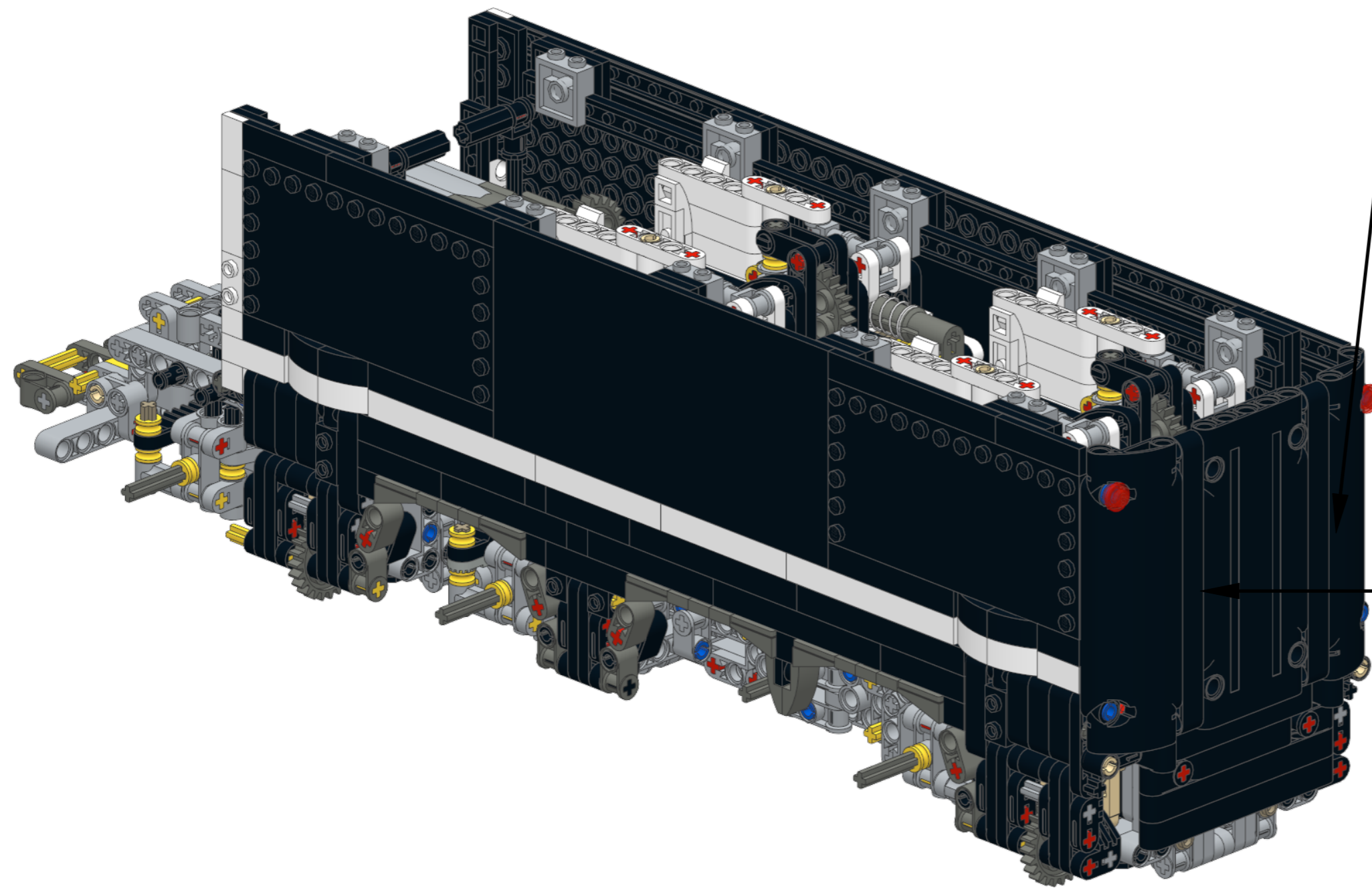
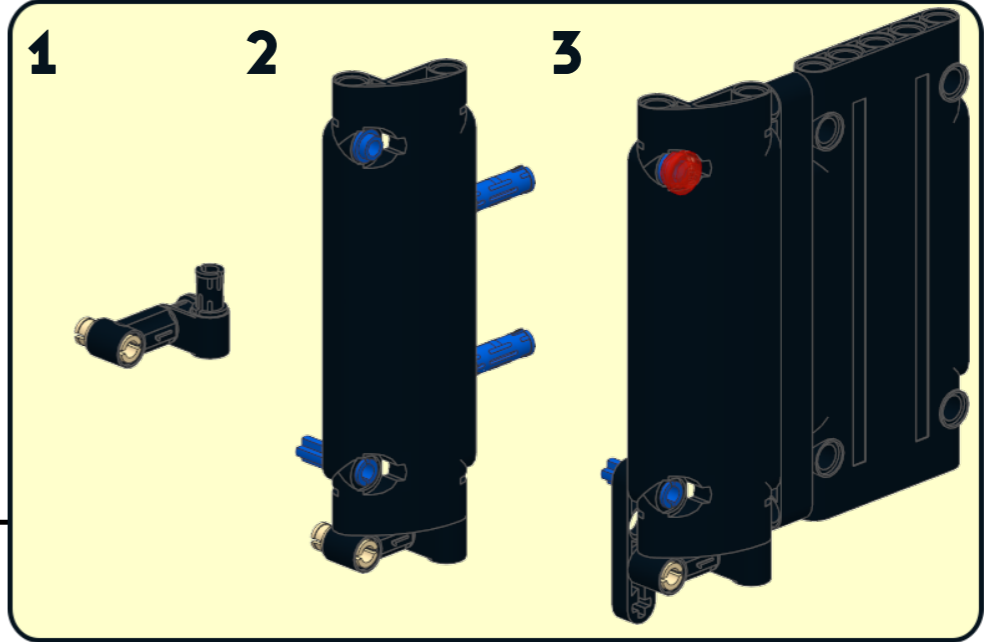
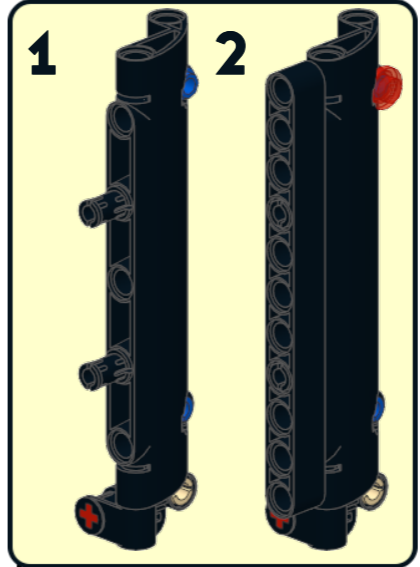
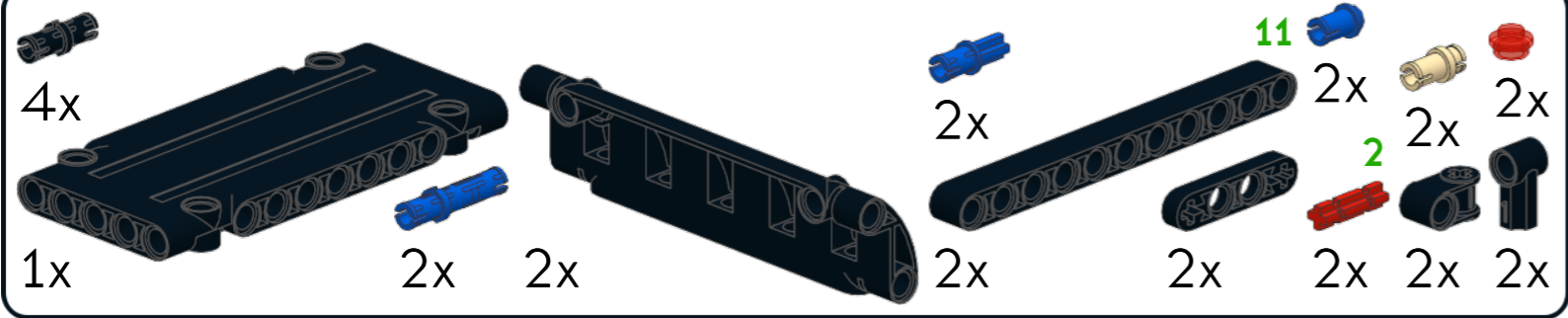


53

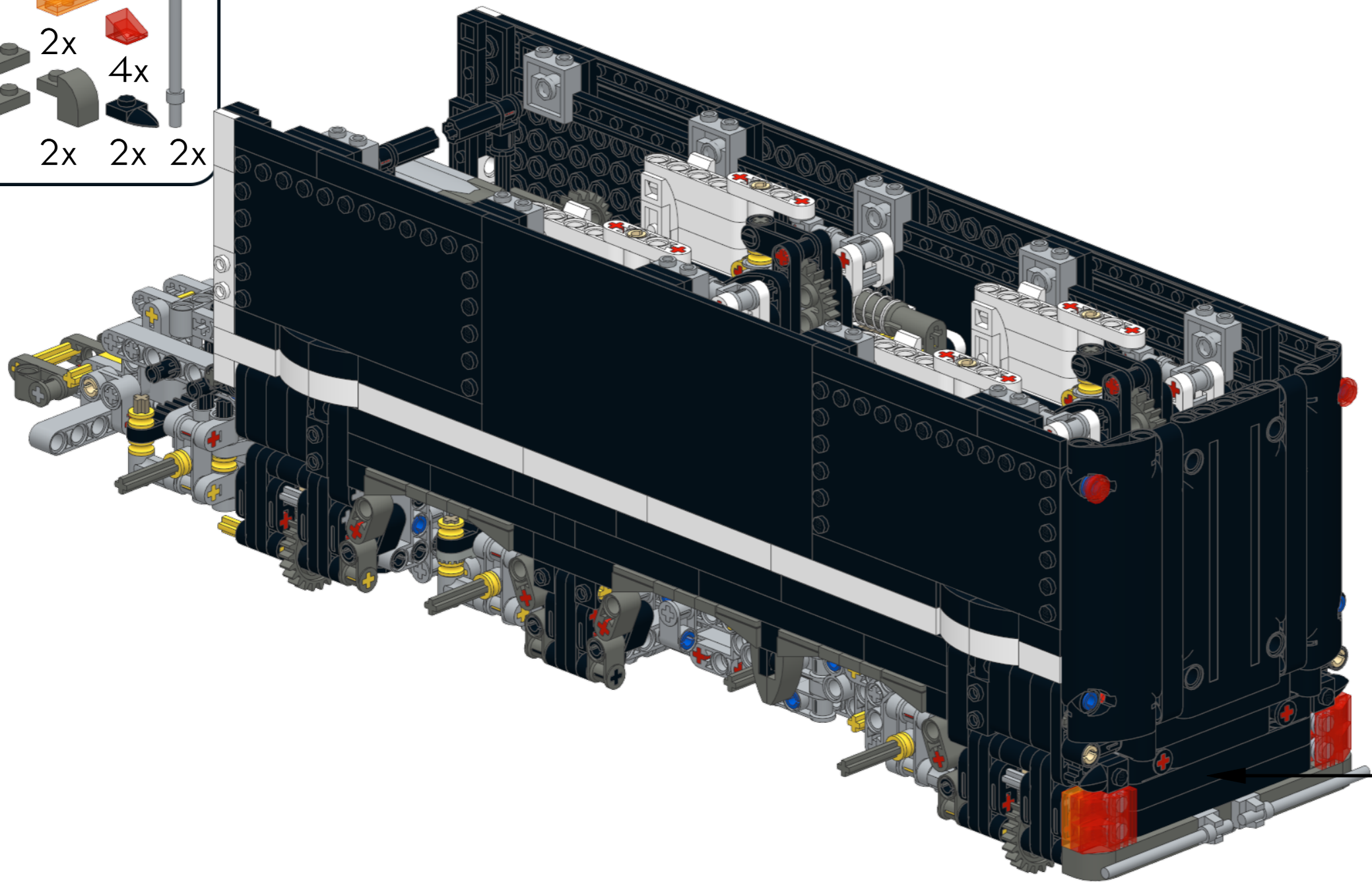
- 2x  5
- 1x  7
- 1x  9
- 2x  4x



54








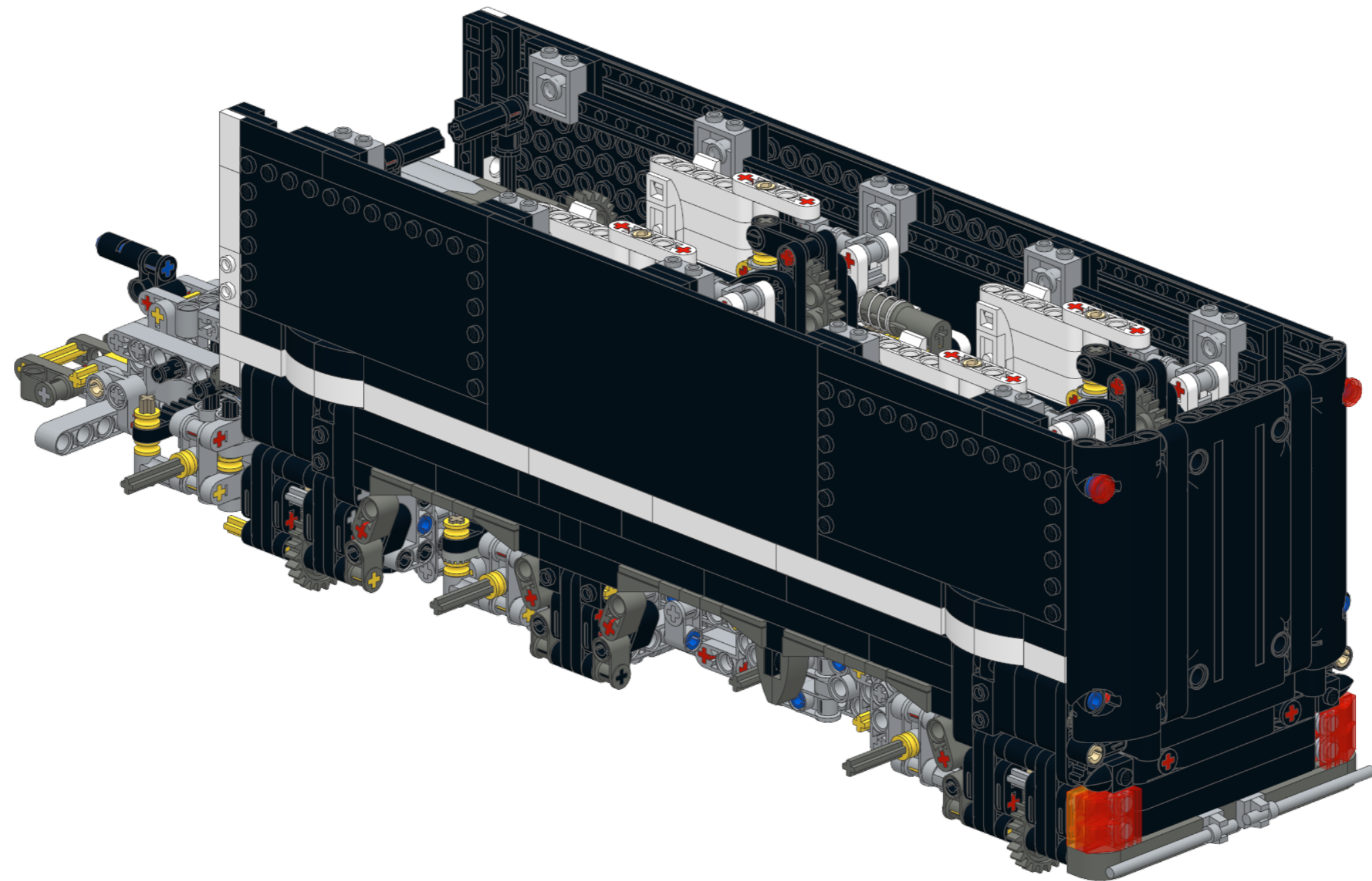
- 2x [Grey Technic Beam 1x5]
- 2x [Black Technic Beam 1x5]
- 2x [Grey Technic Beam 1x6]
- 2x [Grey Technic Beam 1x7]
- 1x [Grey Technic Beam 1x8]
- 1x [Grey Technic Beam 1x9]
- 2x [Red Technic Beam 1x3]
- 4x [Red Technic Beam 1x4]
- 2x [Orange Technic Beam 1x4]
- 2x [Red Technic Beam 1x5]
- 2x [Grey Technic Beam 1x3]
- 2x [Black Technic Beam 1x3]
- 1x [Grey Technic Beam 1x1]
- 2x [Grey Technic Beam 1x2]
- 2x [Grey Technic Beam 1x3]
- 2x [Grey Technic Beam 1x4]
- 2x [Grey Technic Beam 1x5]
- 2x [Grey Technic Beam 1x6]
- 2x [Grey Technic Beam 1x7]
- 2x [Grey Technic Beam 1x8]
- 2x [Grey Technic Beam 1x9]
- 2x [Grey Technic Beam 1x10]
- 2x [Grey Technic Beam 1x11]
- 2x [Grey Technic Beam 1x12]
- 2x [Grey Technic Beam 1x13]
- 2x [Grey Technic Beam 1x14]
- 2x [Grey Technic Beam 1x15]
- 2x [Grey Technic Beam 1x16]
- 2x [Grey Technic Beam 1x17]
- 2x [Grey Technic Beam 1x18]
- 2x [Grey Technic Beam 1x19]
- 2x [Grey Technic Beam 1x20]
- 2x [Grey Technic Beam 1x21]
- 2x [Grey Technic Beam 1x22]
- 2x [Grey Technic Beam 1x23]
- 2x [Grey Technic Beam 1x24]
- 2x [Grey Technic Beam 1x25]
- 2x [Grey Technic Beam 1x26]
- 2x [Grey Technic Beam 1x27]
- 2x [Grey Technic Beam 1x28]
- 2x [Grey Technic Beam 1x29]
- 2x [Grey Technic Beam 1x30]
- 2x [Grey Technic Beam 1x31]
- 2x [Grey Technic Beam 1x32]
- 2x [Grey Technic Beam 1x33]
- 2x [Grey Technic Beam 1x34]
- 2x [Grey Technic Beam 1x35]
- 2x [Grey Technic Beam 1x36]
- 2x [Grey Technic Beam 1x37]
- 2x [Grey Technic Beam 1x38]
- 2x [Grey Technic Beam 1x39]
- 2x [Grey Technic Beam 1x40]
- 2x [Grey Technic Beam 1x41]
- 2x [Grey Technic Beam 1x42]
- 2x [Grey Technic Beam 1x43]
- 2x [Grey Technic Beam 1x44]
- 2x [Grey Technic Beam 1x45]
- 2x [Grey Technic Beam 1x46]
- 2x [Grey Technic Beam 1x47]
- 2x [Grey Technic Beam 1x48]
- 2x [Grey Technic Beam 1x49]
- 2x [Grey Technic Beam 1x50]
- 2x [Grey Technic Beam 1x51]
- 2x [Grey Technic Beam 1x52]
- 2x [Grey Technic Beam 1x53]
- 2x [Grey Technic Beam 1x54]
- 2x [Grey Technic Beam 1x55]
- 2x [Grey Technic Beam 1x56]
- 2x [Grey Technic Beam 1x57]
- 2x [Grey Technic Beam 1x58]
- 2x [Grey Technic Beam 1x59]
- 2x [Grey Technic Beam 1x60]
- 2x [Grey Technic Beam 1x61]
- 2x [Grey Technic Beam 1x62]
- 2x [Grey Technic Beam 1x63]
- 2x [Grey Technic Beam 1x64]
- 2x [Grey Technic Beam 1x65]
- 2x [Grey Technic Beam 1x66]
- 2x [Grey Technic Beam 1x67]
- 2x [Grey Technic Beam 1x68]
- 2x [Grey Technic Beam 1x69]
- 2x [Grey Technic Beam 1x70]
- 2x [Grey Technic Beam 1x71]
- 2x [Grey Technic Beam 1x72]
- 2x [Grey Technic Beam 1x73]
- 2x [Grey Technic Beam 1x74]
- 2x [Grey Technic Beam 1x75]
- 2x [Grey Technic Beam 1x76]
- 2x [Grey Technic Beam 1x77]
- 2x [Grey Technic Beam 1x78]
- 2x [Grey Technic Beam 1x79]
- 2x [Grey Technic Beam 1x80]
- 2x [Grey Technic Beam 1x81]
- 2x [Grey Technic Beam 1x82]
- 2x [Grey Technic Beam 1x83]
- 2x [Grey Technic Beam 1x84]
- 2x [Grey Technic Beam 1x85]
- 2x [Grey Technic Beam 1x86]
- 2x [Grey Technic Beam 1x87]
- 2x [Grey Technic Beam 1x88]
- 2x [Grey Technic Beam 1x89]
- 2x [Grey Technic Beam 1x90]
- 2x [Grey Technic Beam 1x91]
- 2x [Grey Technic Beam 1x92]
- 2x [Grey Technic Beam 1x93]
- 2x [Grey Technic Beam 1x94]
- 2x [Grey Technic Beam 1x95]
- 2x [Grey Technic Beam 1x96]
- 2x [Grey Technic Beam 1x97]
- 2x [Grey Technic Beam 1x98]
- 2x [Grey Technic Beam 1x99]
- 2x [Grey Technic Beam 1x100]



- 1 [Assembly step 1: A grey Technic beam with a red and black connector at one end and an orange connector at the other.]
- 2 [Assembly step 2: A grey Technic beam with a red and black connector at one end and a grey connector at the other.]
- 3 [Assembly step 3: A grey Technic beam with a red and black connector at one end and a red connector at the other.]
- 4 [Assembly step 4: A grey Technic beam with a red and black connector at one end and a red connector at the other.]
- 5 [Assembly step 5: A grey Technic beam with a red and black connector at one end and a red connector at the other.]
- 6 [Assembly step 6: A grey Technic beam with a red and black connector at one end and a red connector at the other.]

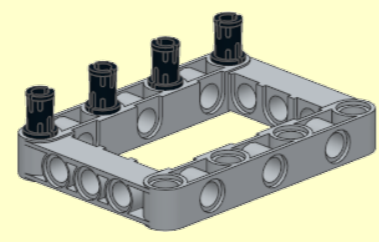
56

		
1x	1x	
		
1x	1x	1x



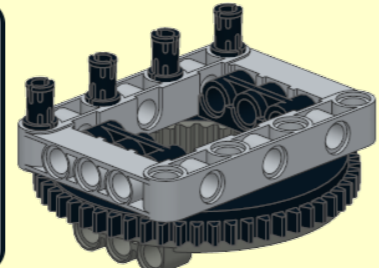
1

1x 4x



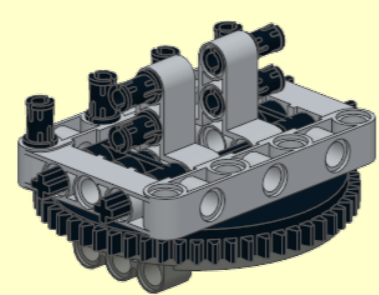
2

1x 1x



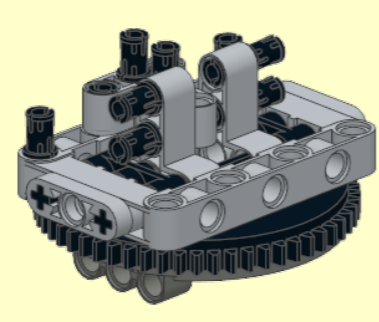
3

2x 4x 2x



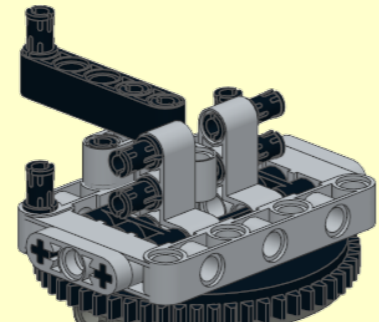
4

1x 2x
1x 2x



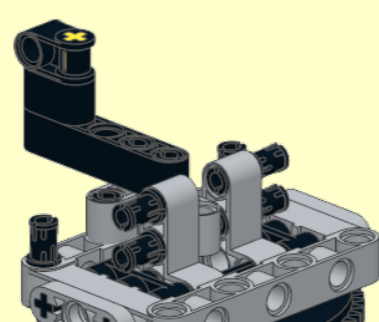
5

1x 5
1x



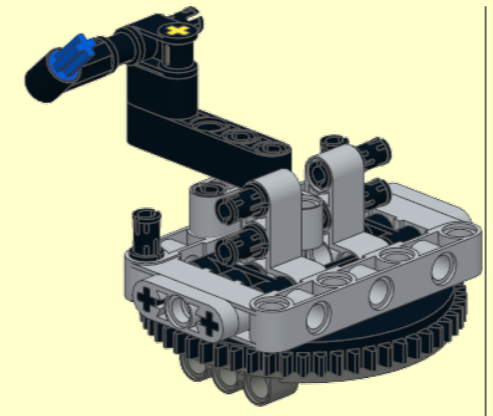
6

1x 3
1x 1x



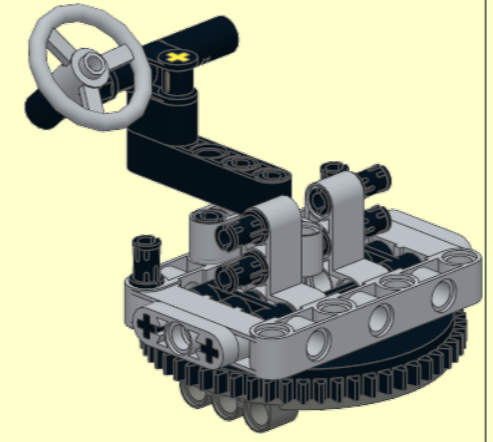
7

2
1x 1x
1x 1x



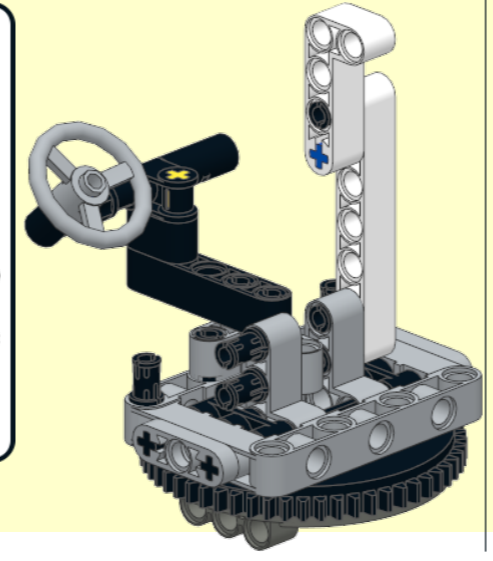
8

1x
1x



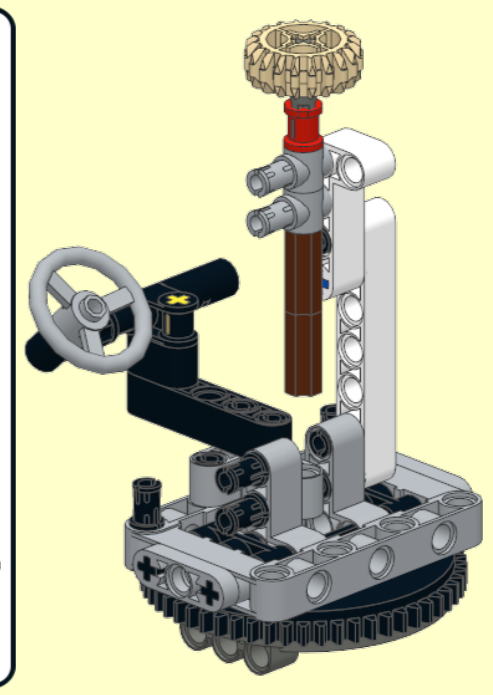
9

1x
1x 7
1x 1x



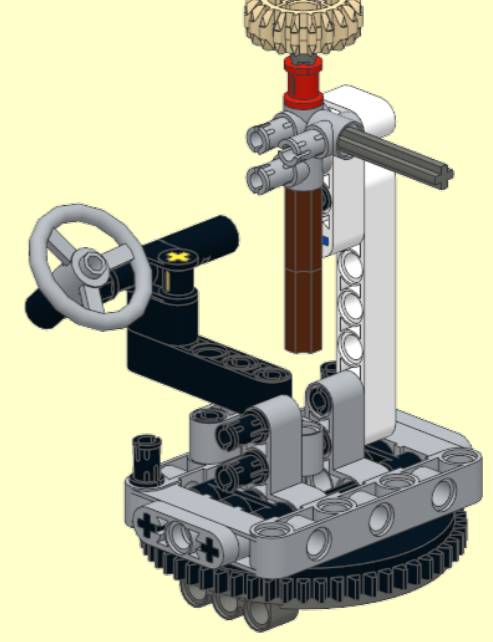
10

2x
1x
1x 2x
1x 5 2
1x 1x



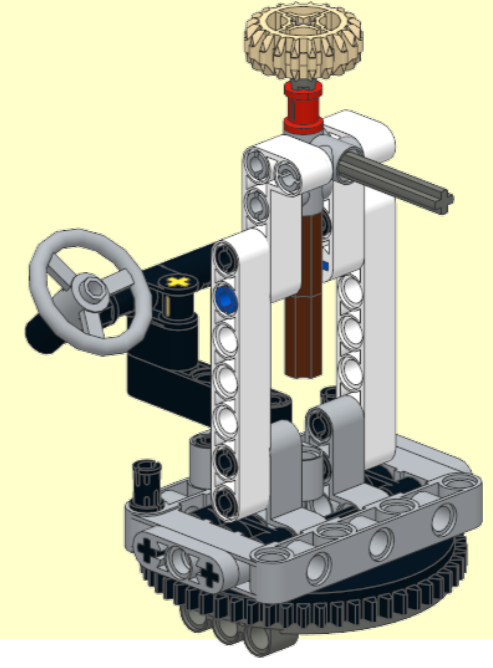
11

1x 4
1x



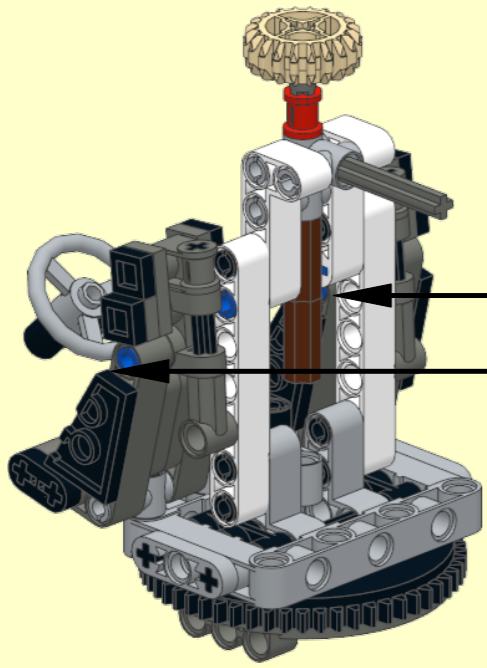
12

1x
1x 7
1x 1x

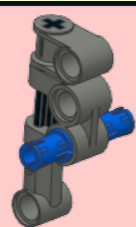


13

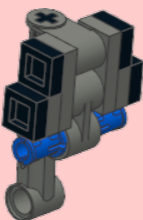
- 4x
- 2x
- 2x
- 2x
- 2x
- 6x
- 2x
- 4x
- 4x
- 2x
- 4x
- 2x
- 4x
- 2x
- 4x
- 2x
- 4x
- 2x
- 8x
- 2x
- 2x



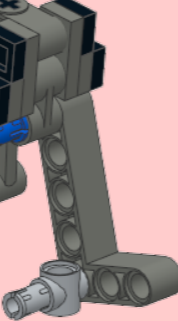
1



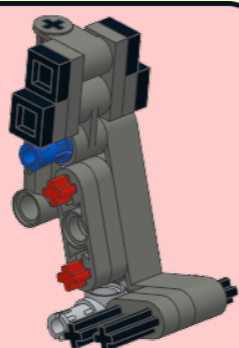
2



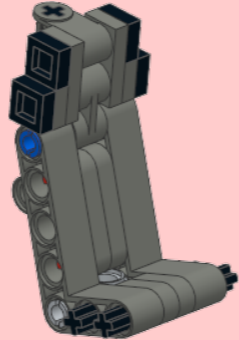
3



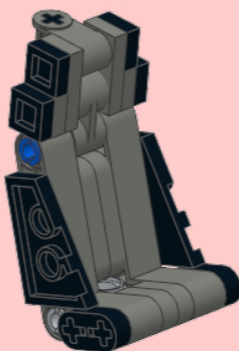
4



5



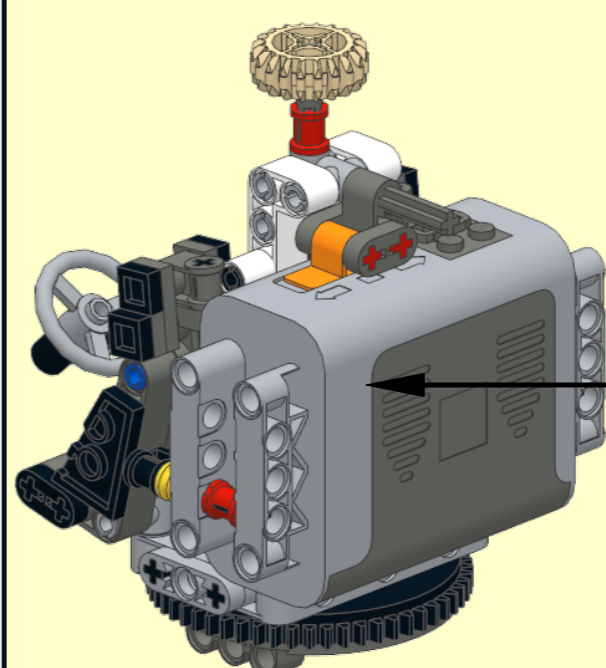
6



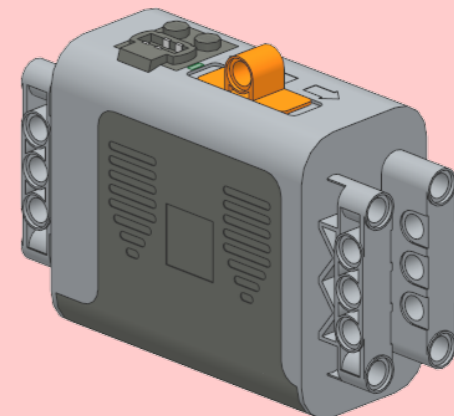
x2

15

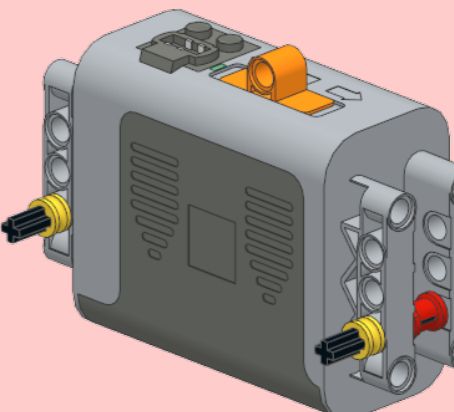
- 2x
- 2x
- 2x
- 2x
- 2x
- 2x
- 1x
- 1x



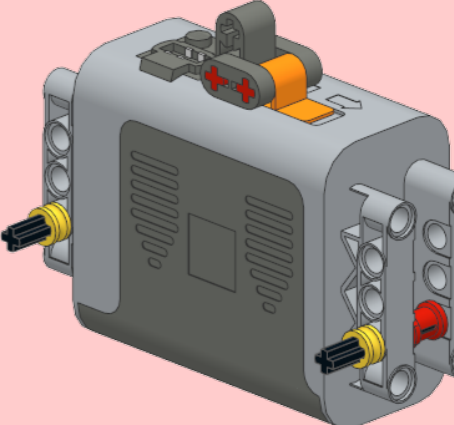
1



2

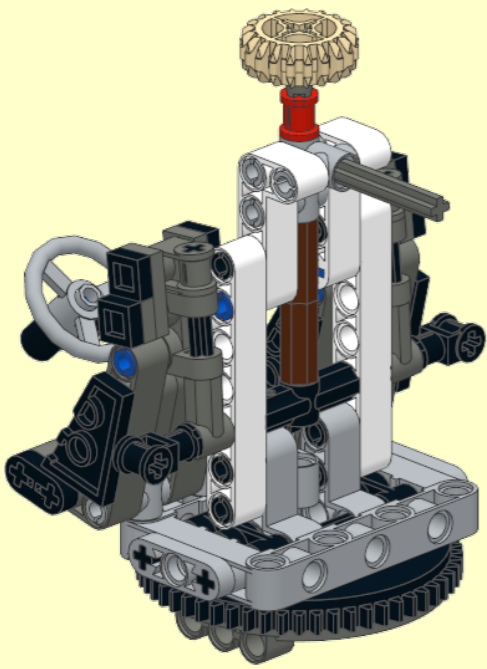


3



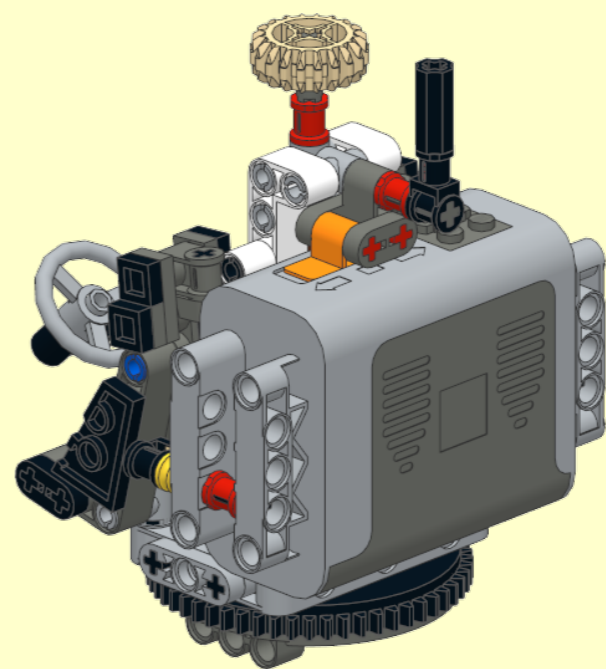
14

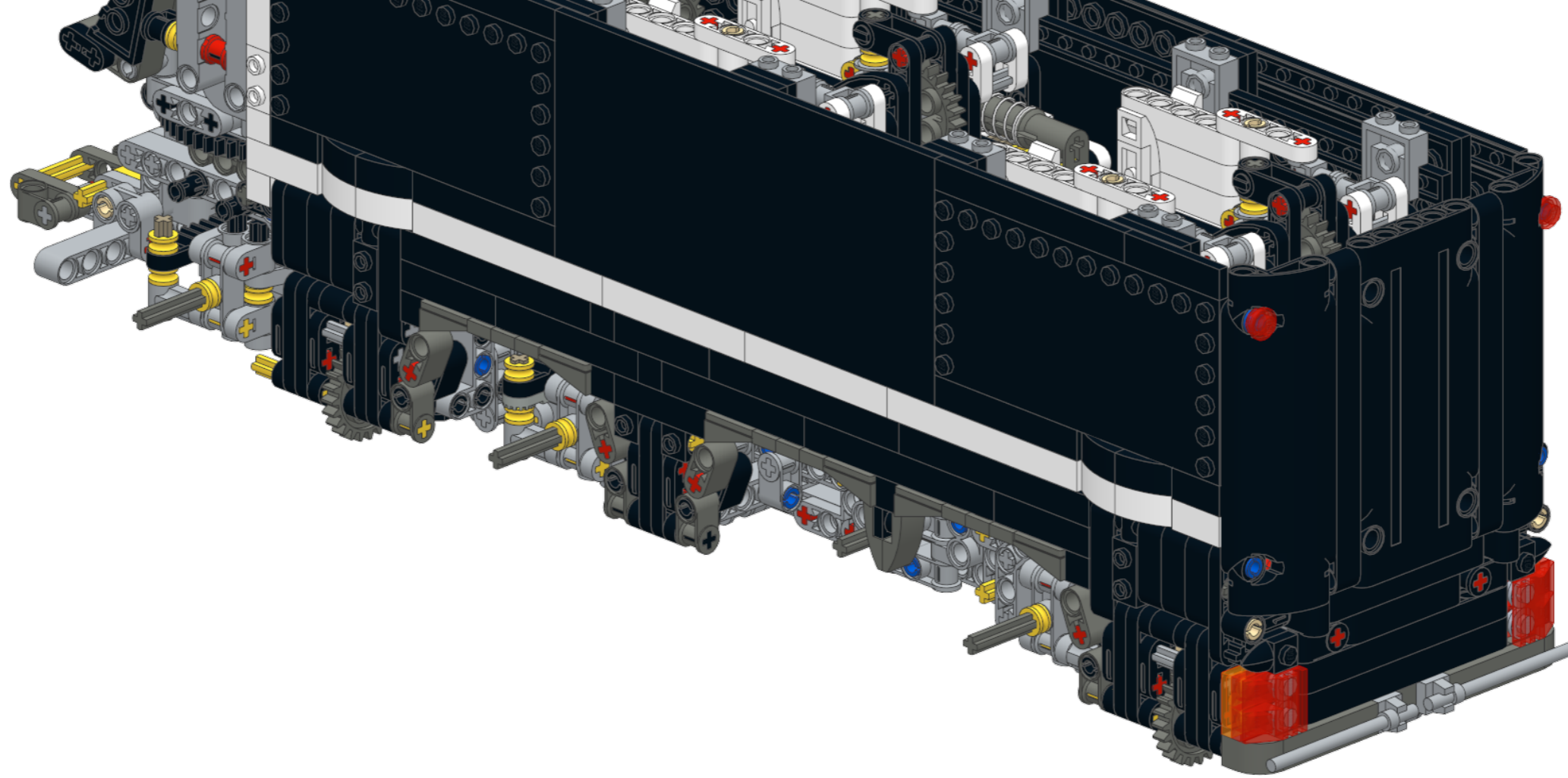
- 2x
- 1x
- 1x
- 2x



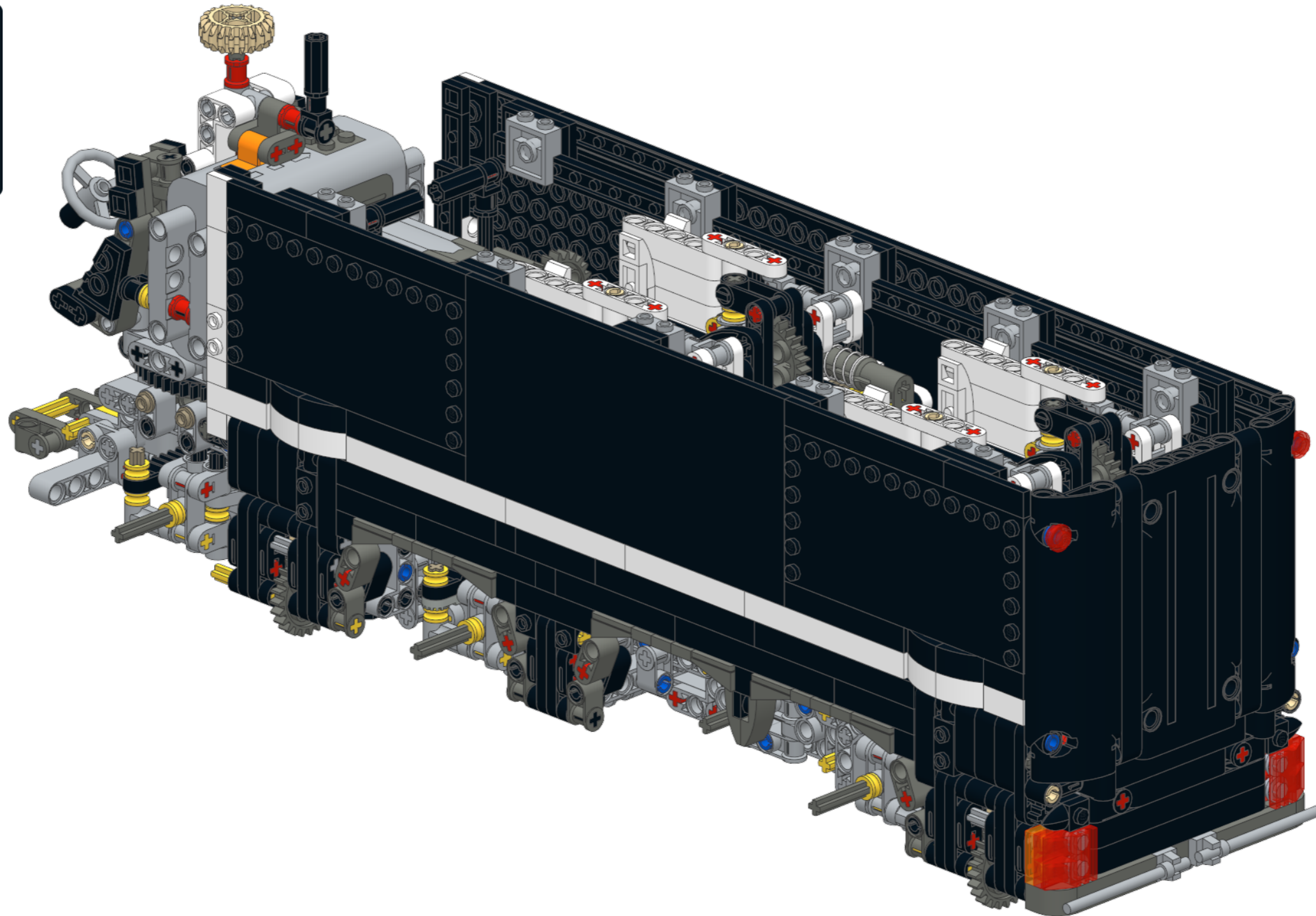
16

- 1x
- 1x
- 1x
- 1x
- 1x



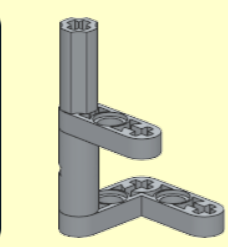


58



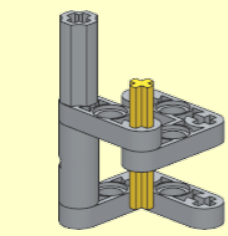
1

1x 1x 1x 1x 1x



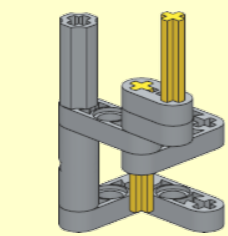
2

1x 1x



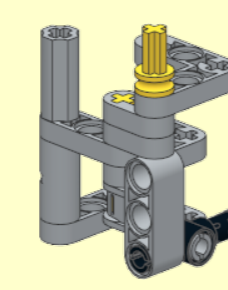
3

1x 2x



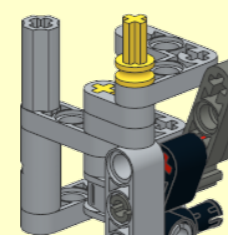
4

1x 1x 1x 1x 1x



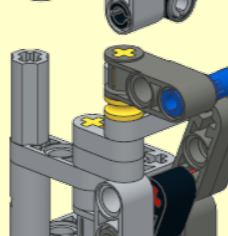
5

1x 2x 1x 1x



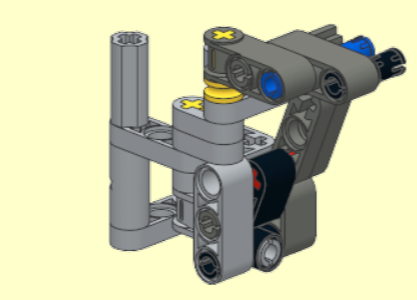
6

1x 1x 1x



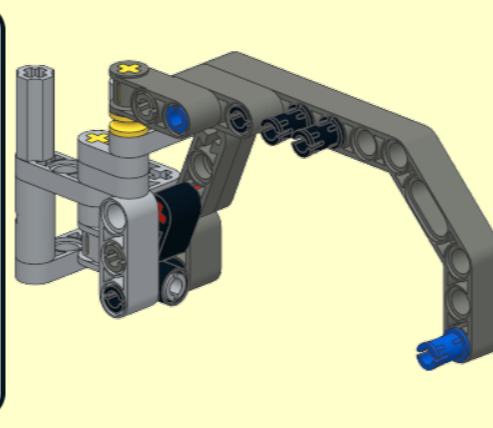
7

1x 1x 1x



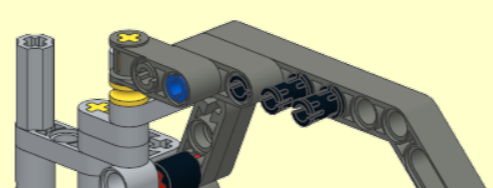
8

1x 1x 2x



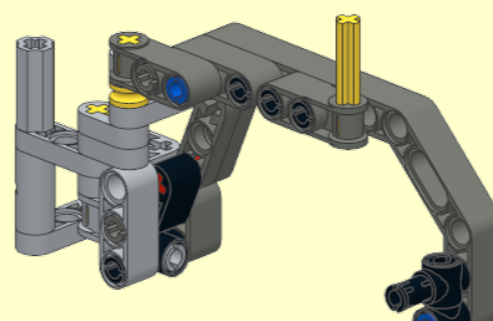
9

2x



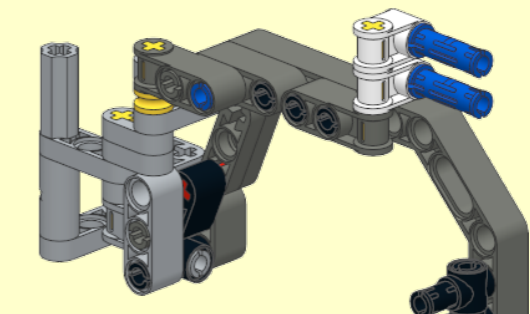
10

1x 1x 1x



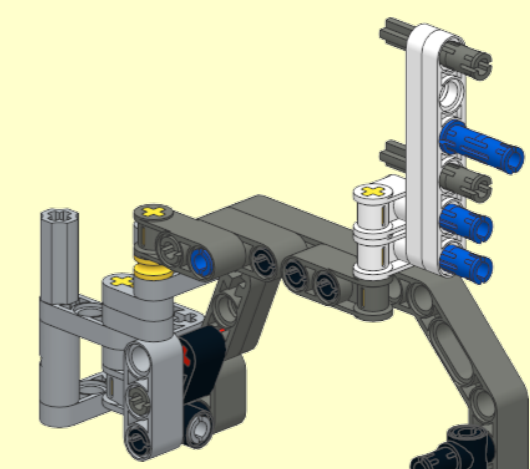
11

2x 2x



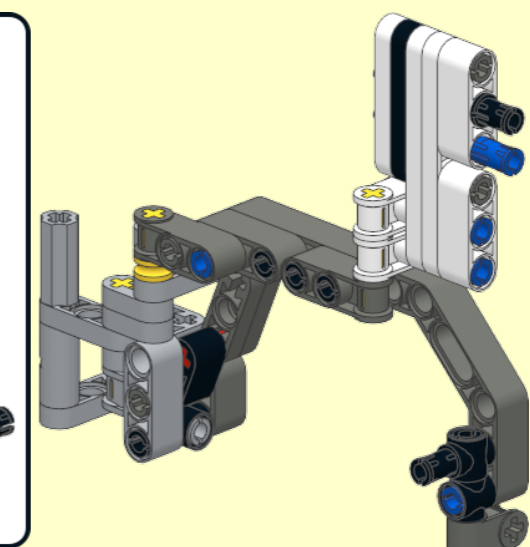
12

2x 1x 2x



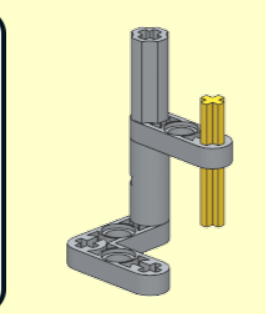
13

2x 1x 1x 2x 1x



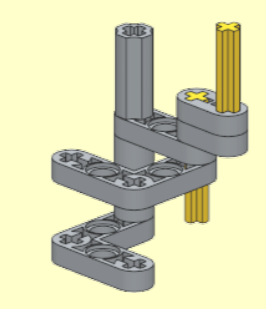
1

1x 4 1x 3 1x 1x
1x 1x 1x 1x



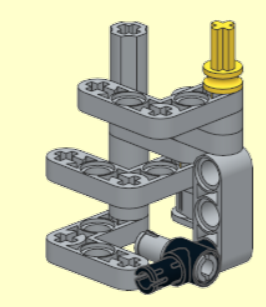
2

2x 3 1x 1x
1x 1x



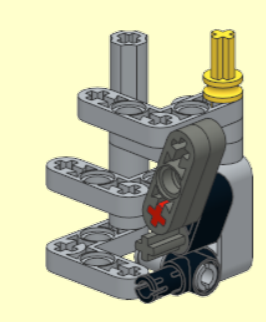
3

1x 1x 1x 1x 1x 1x



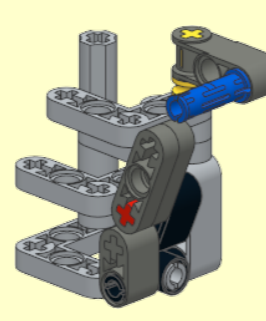
4

2x 1x 1x 2 1x
1x 1x 1x



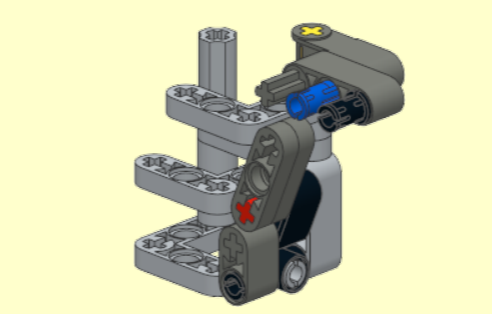
5

1x 1x 1x 1x



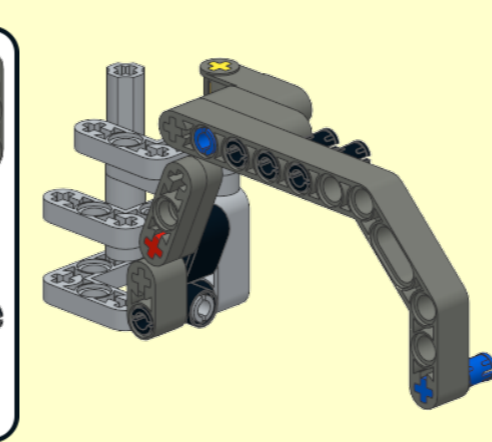
6

1x 3 1x 1x



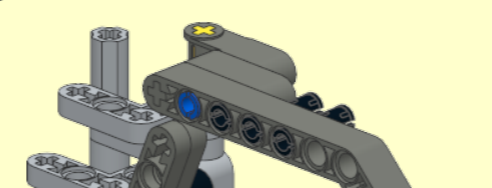
7

1x 1x 2x



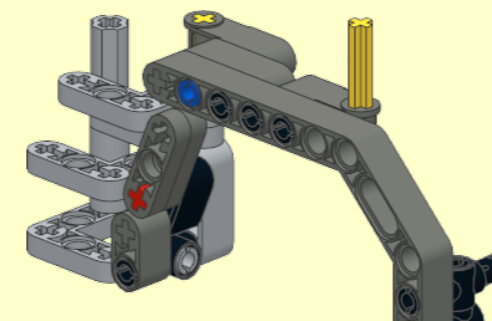
8

2x



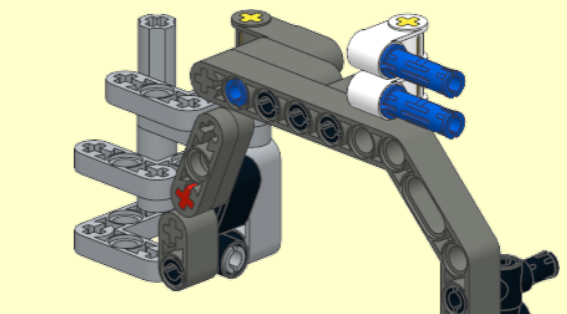
9

1x 3 1x 1x



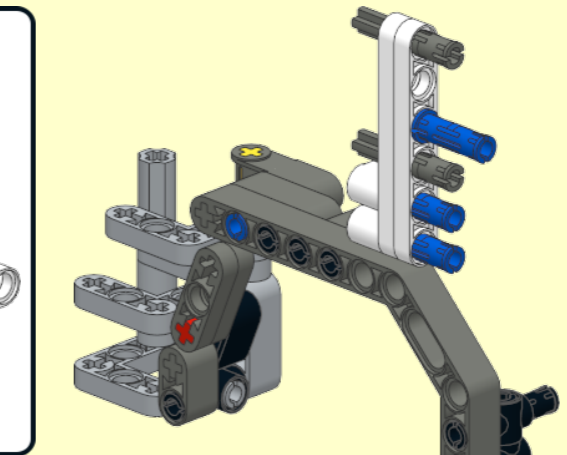
10

2x 2x



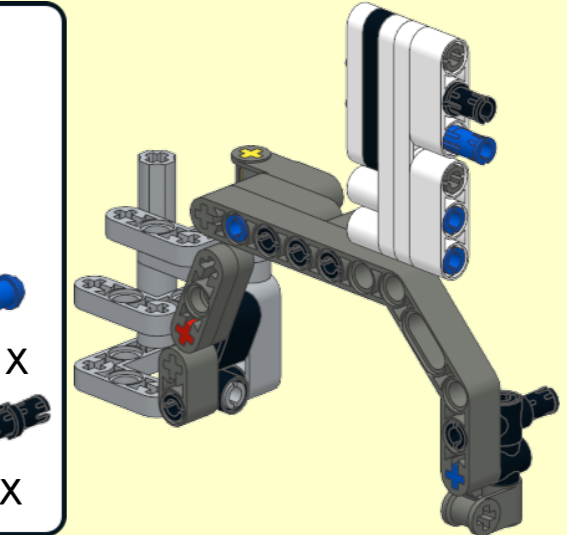
11

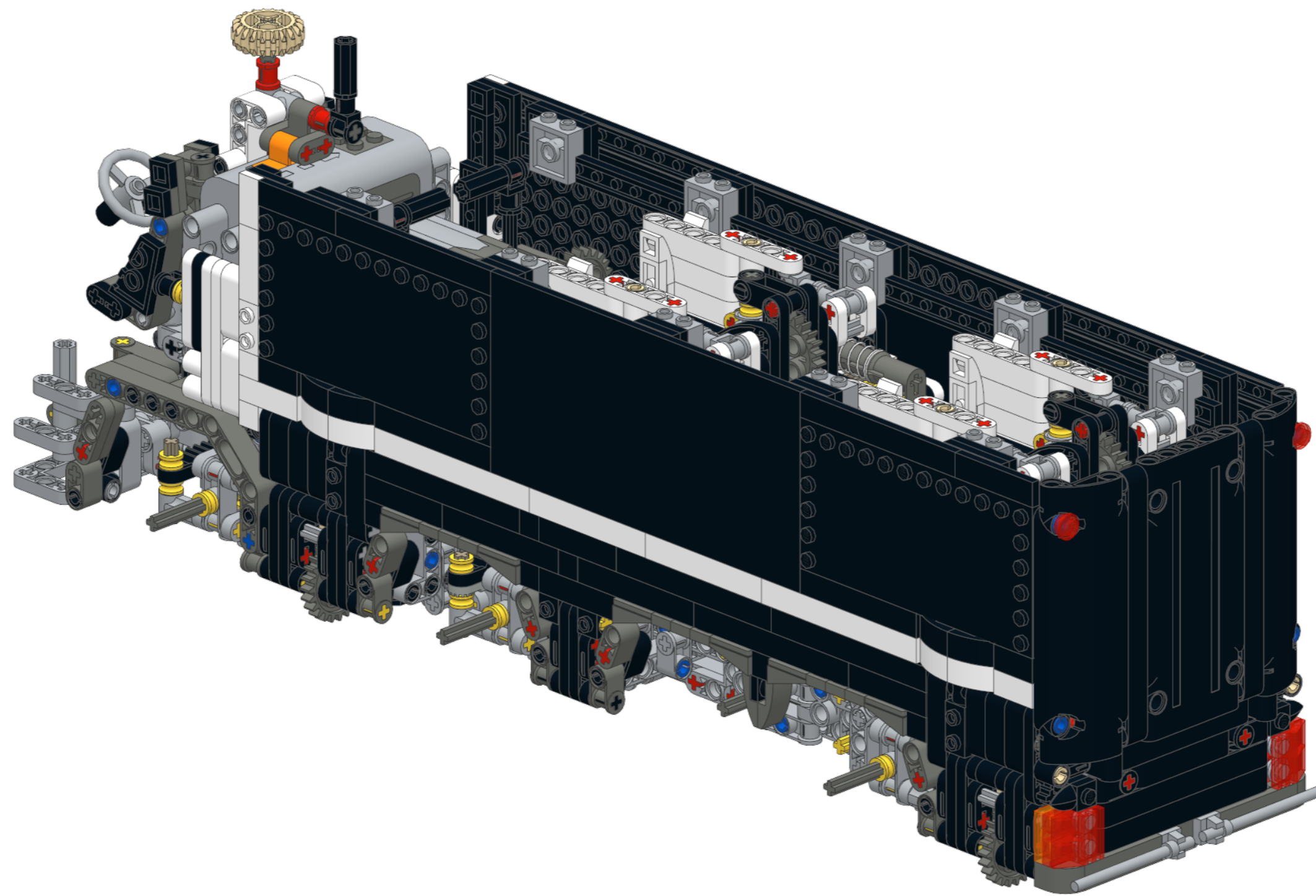
2x 1x 2x



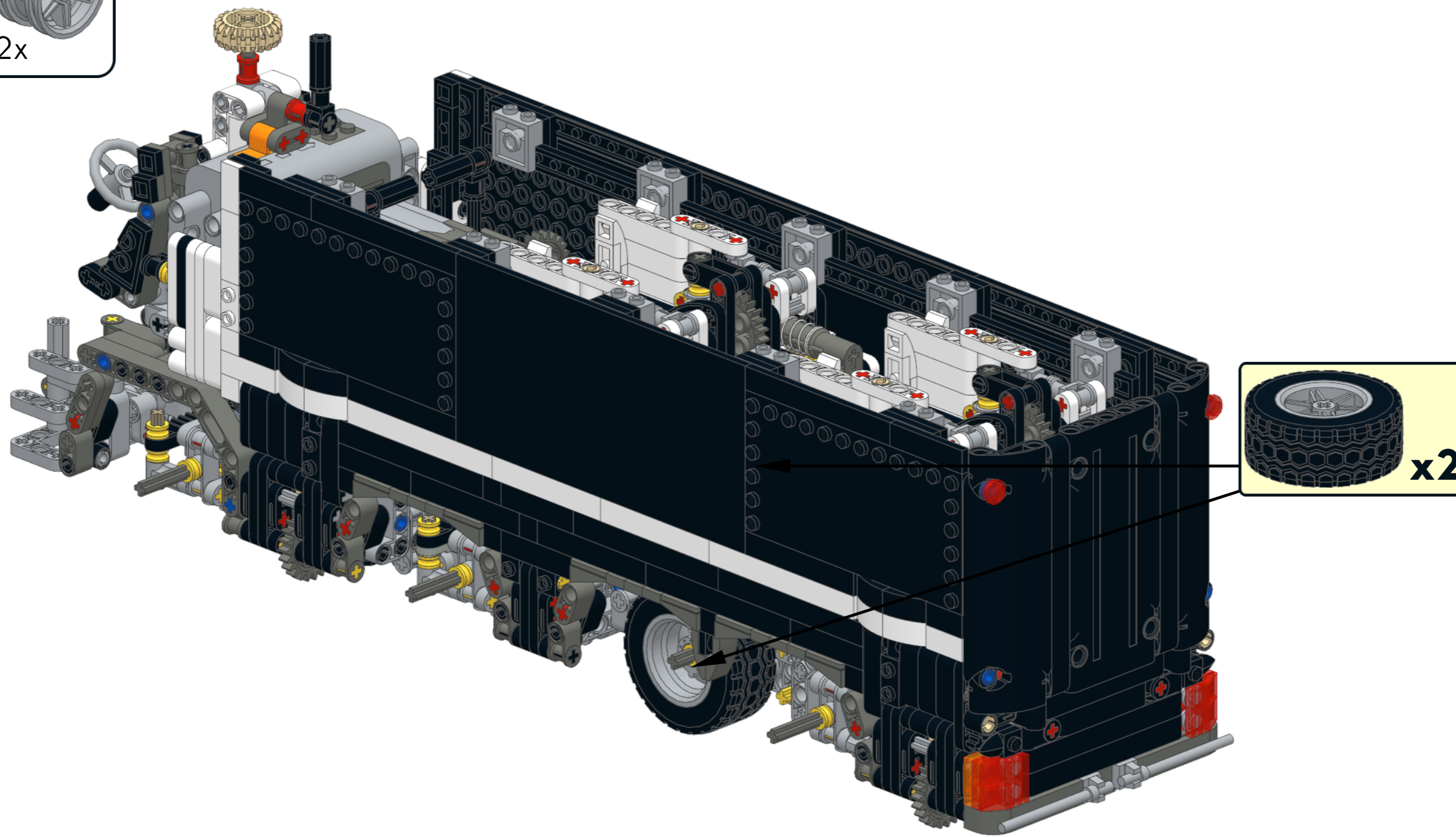
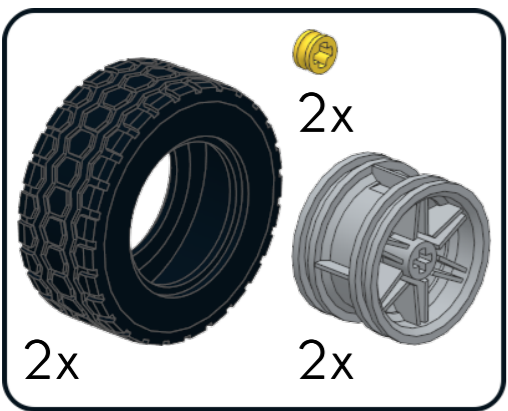
12

3 2x 1x 2x 1x 1x

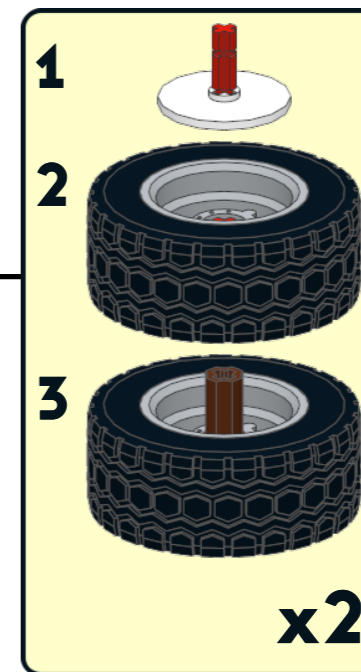
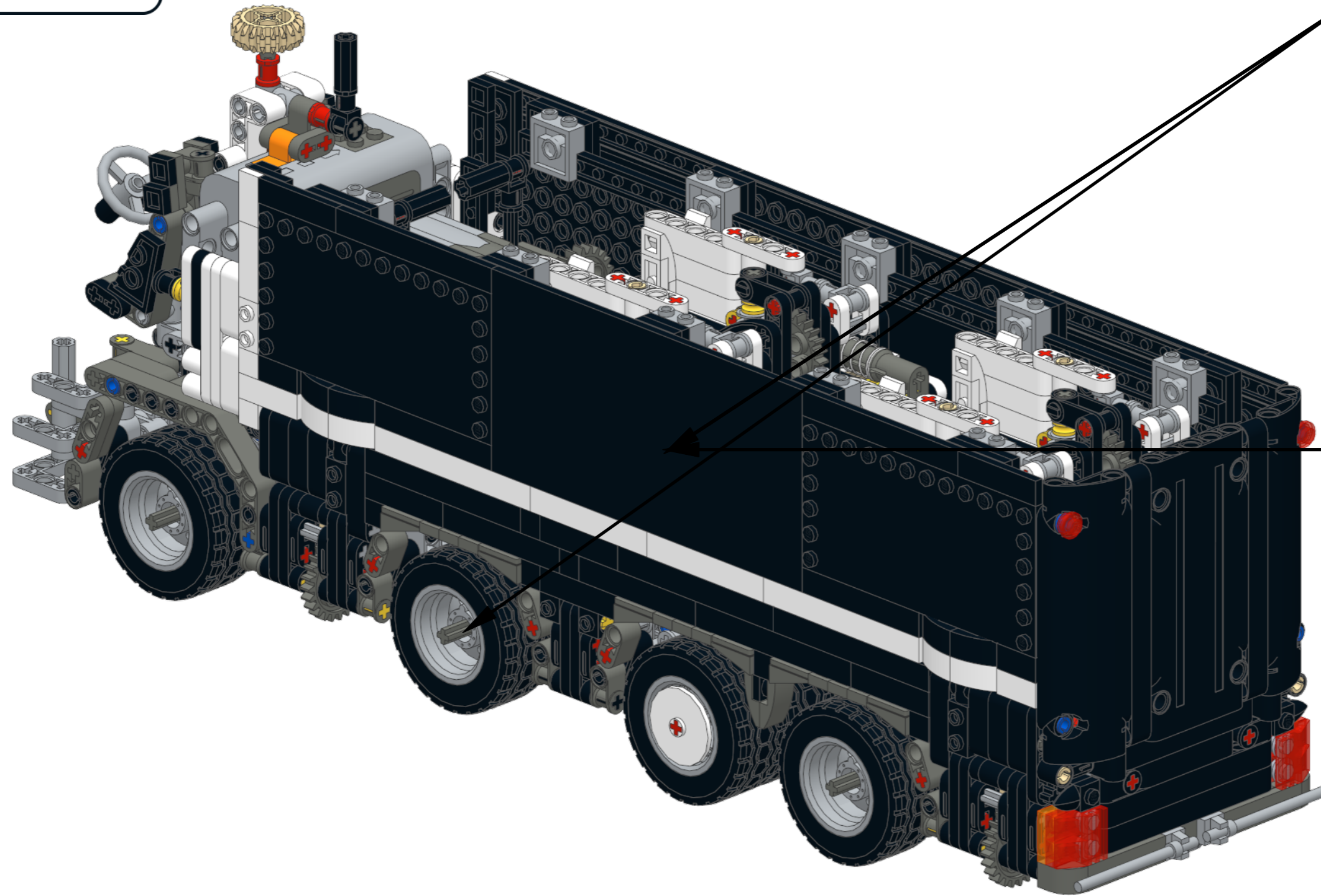


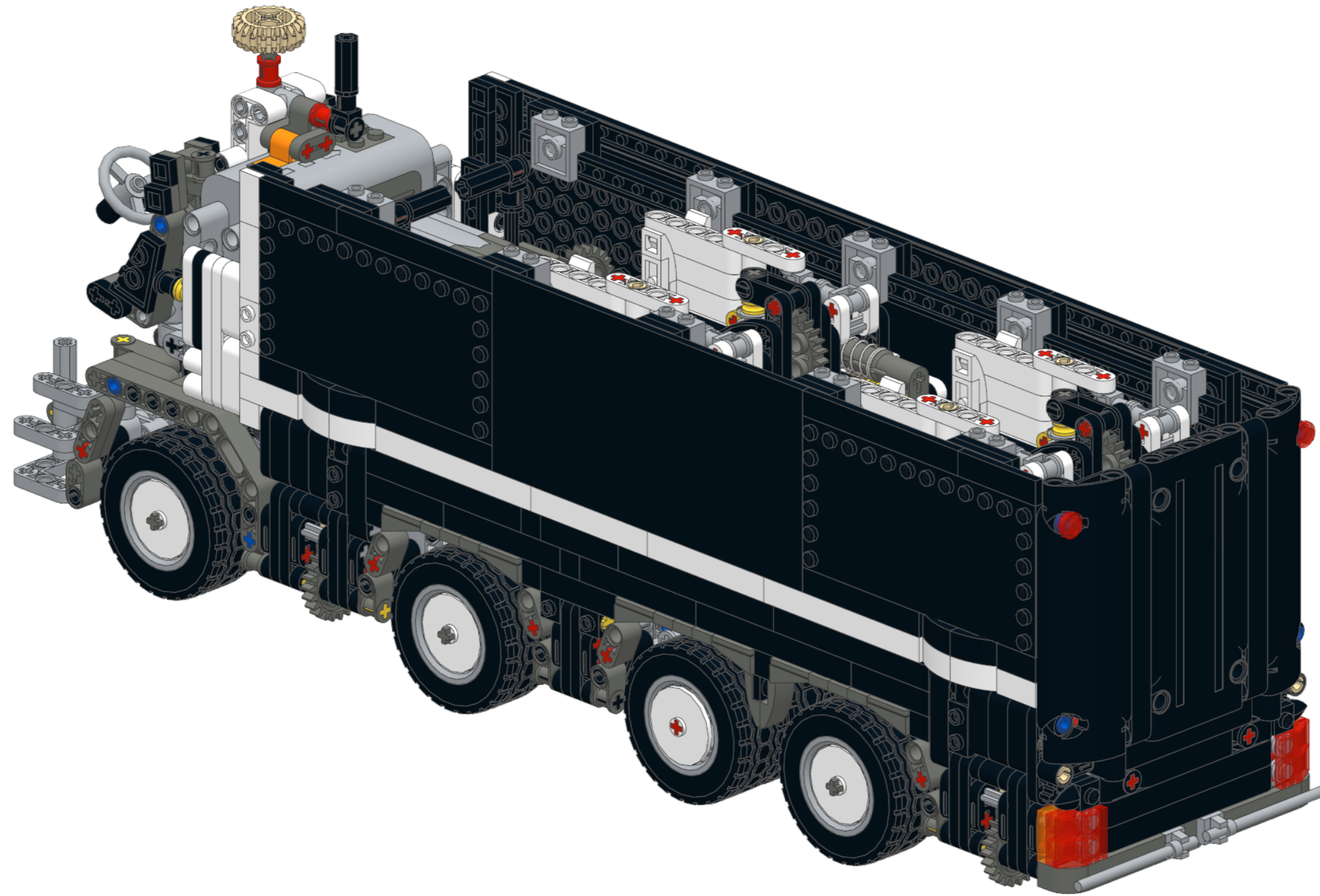


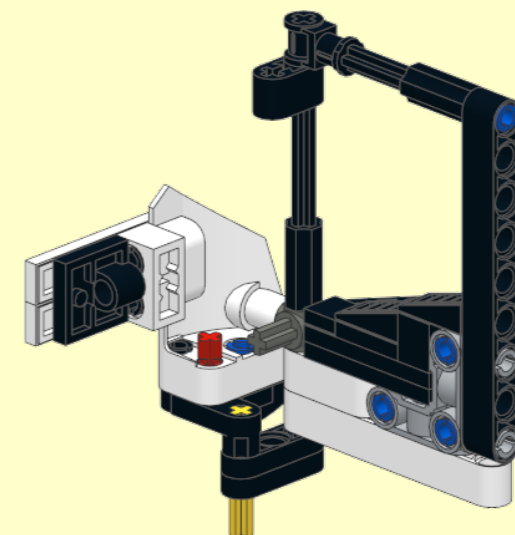
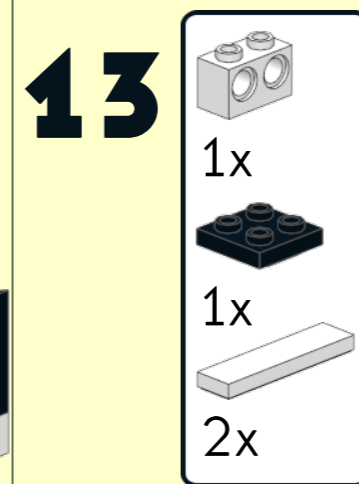
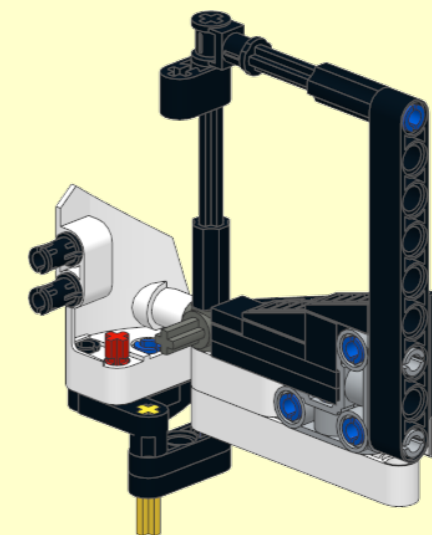
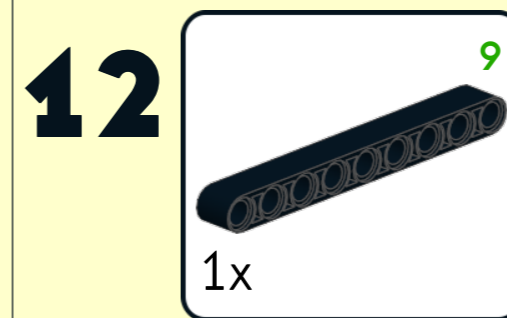
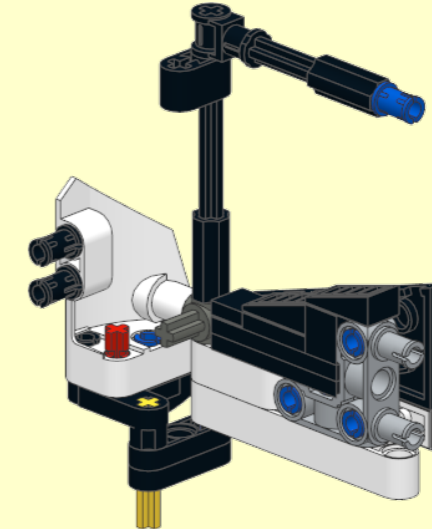
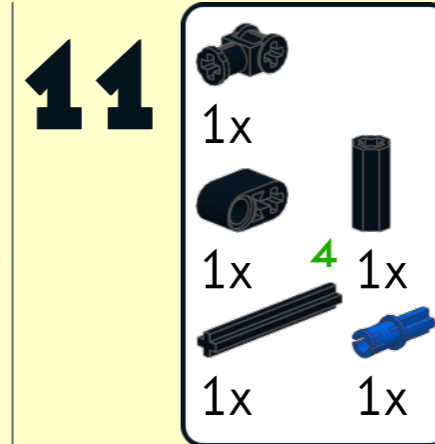
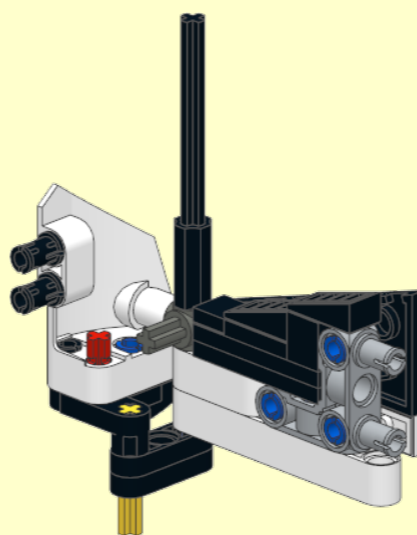
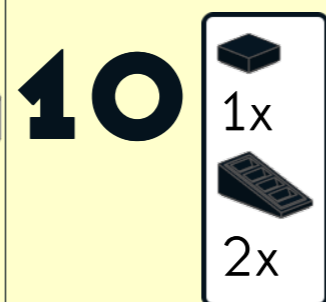
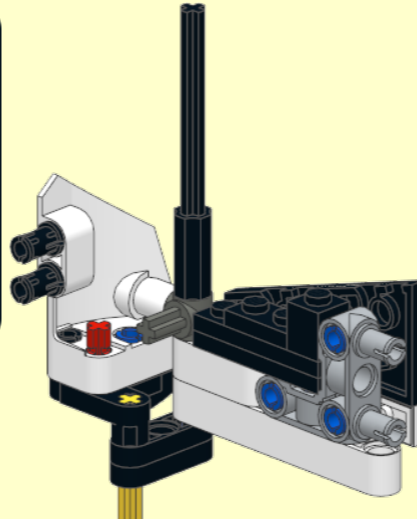
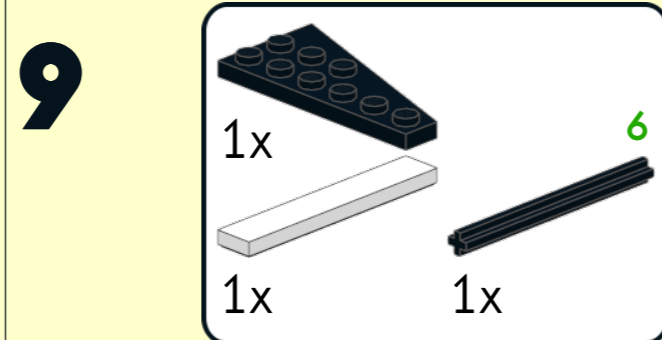
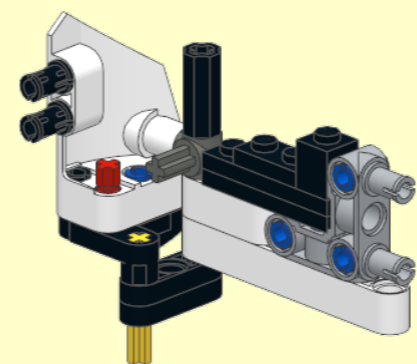
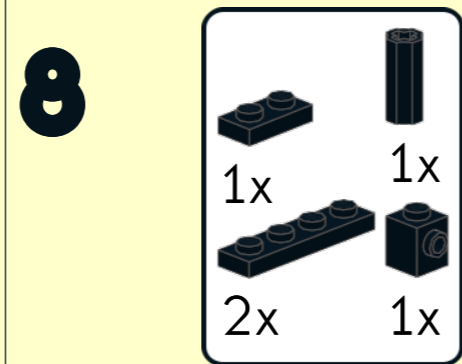
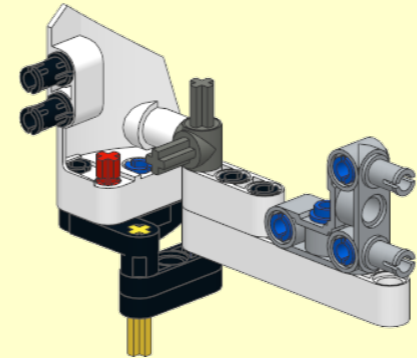
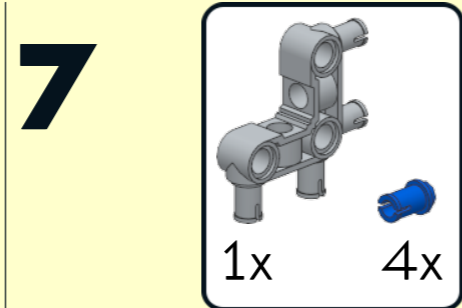
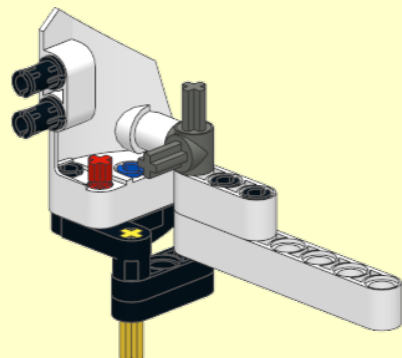
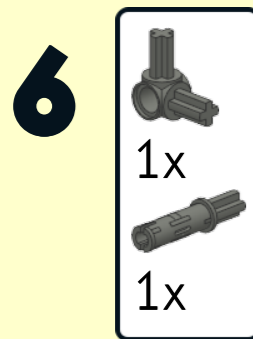
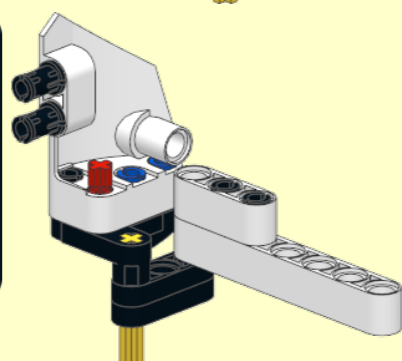
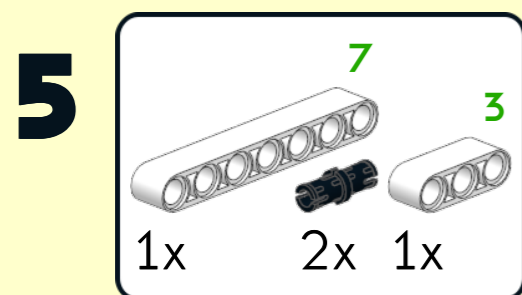
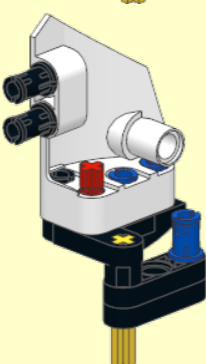
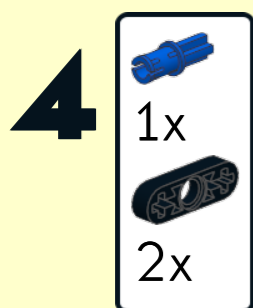
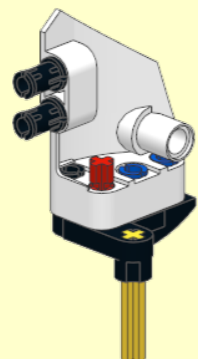
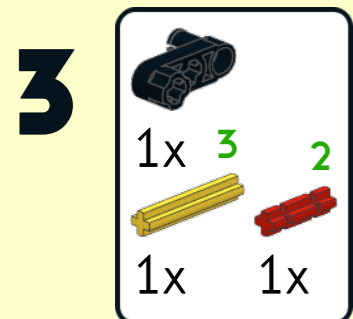
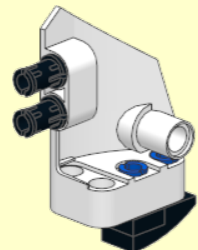
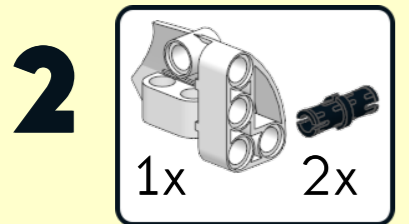
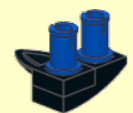
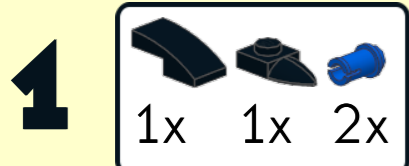
60

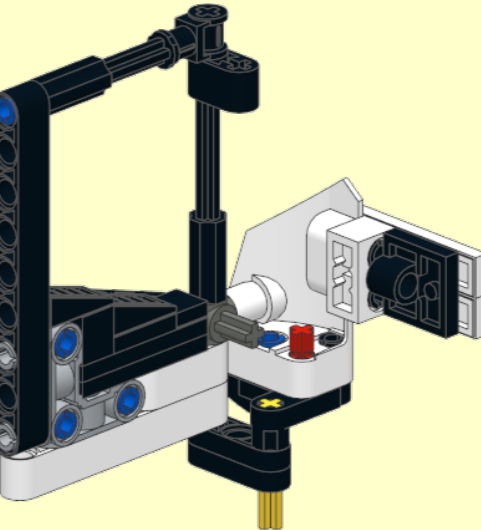
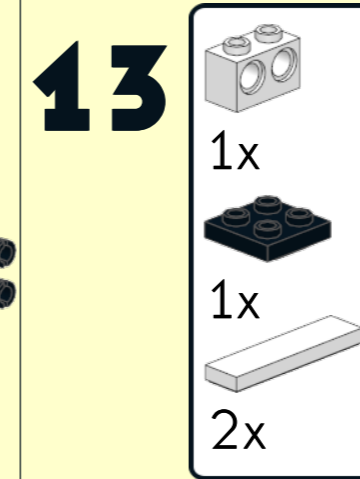
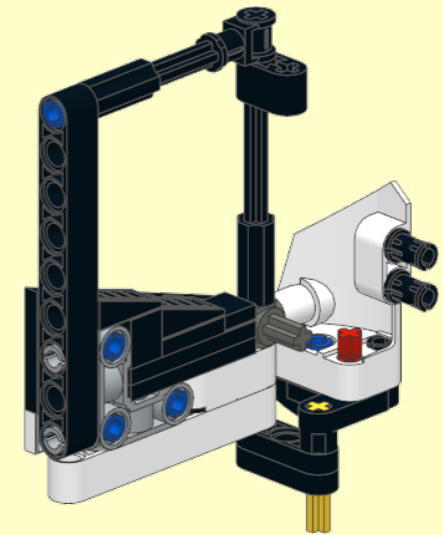
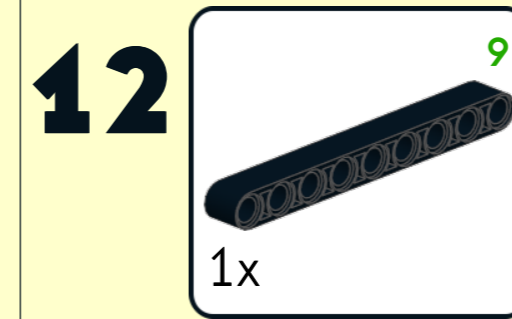
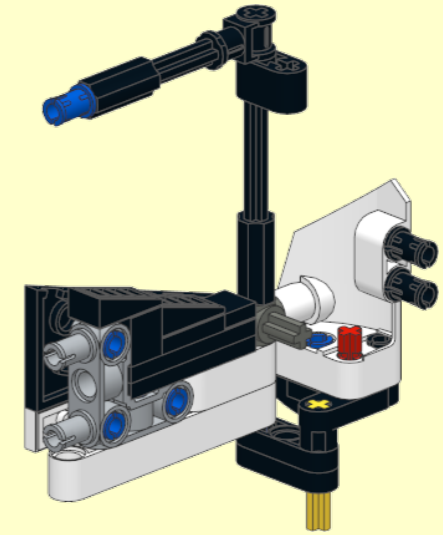
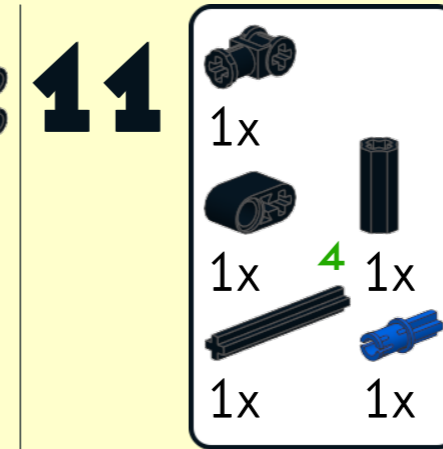
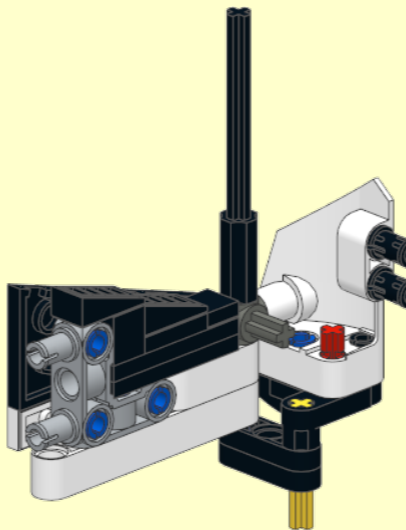
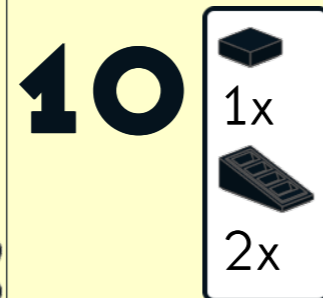
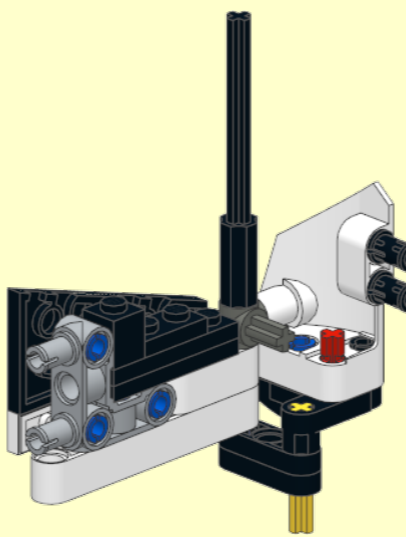
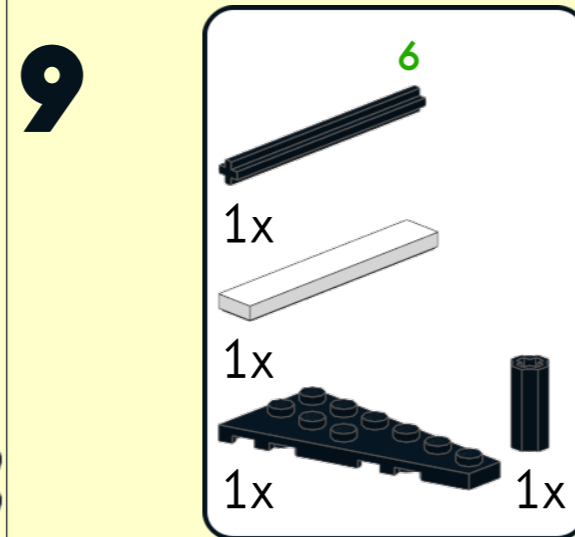
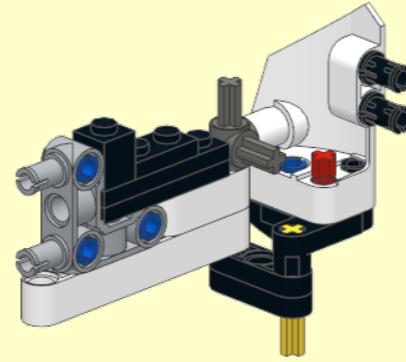
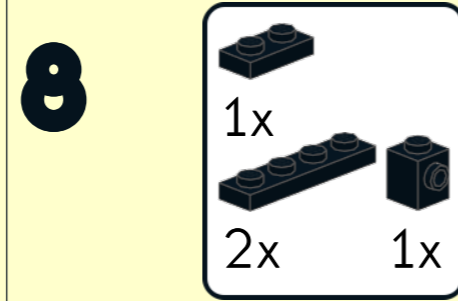
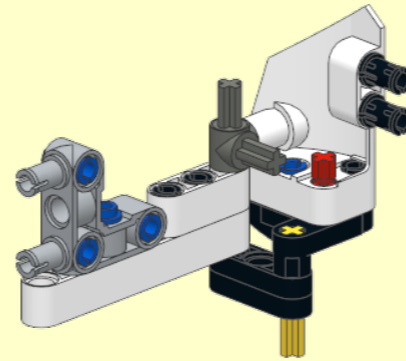
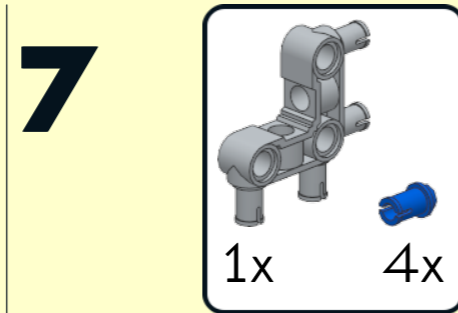
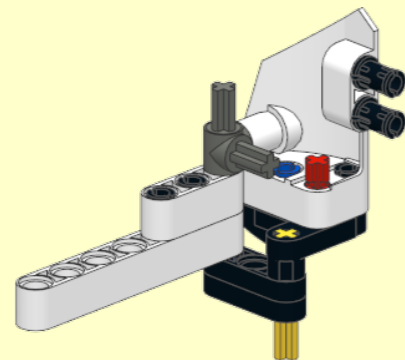
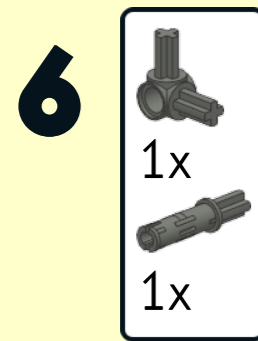
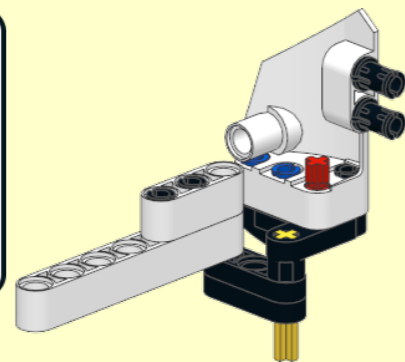
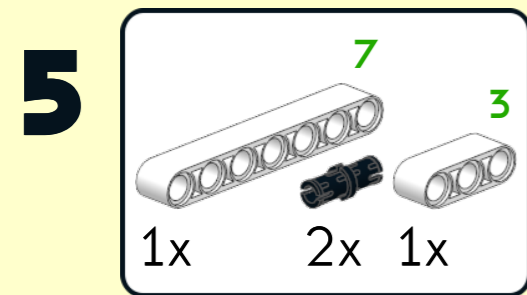
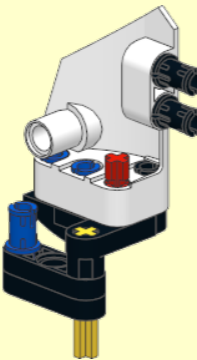
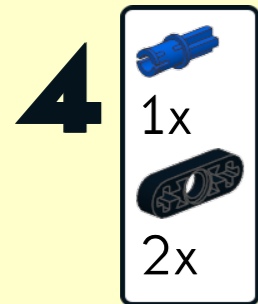
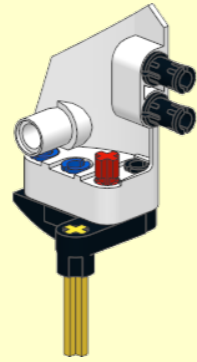
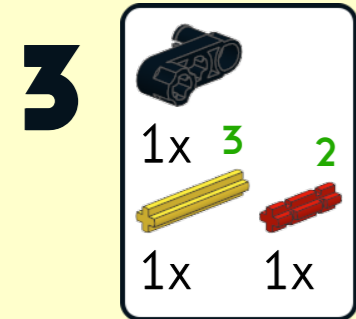
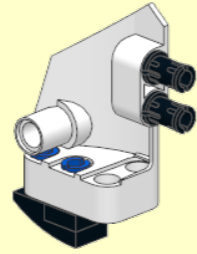
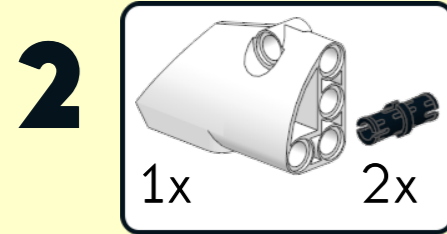
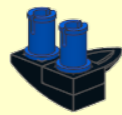
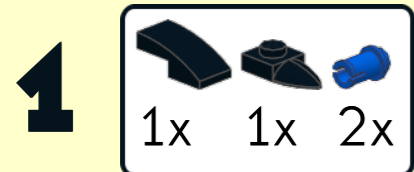


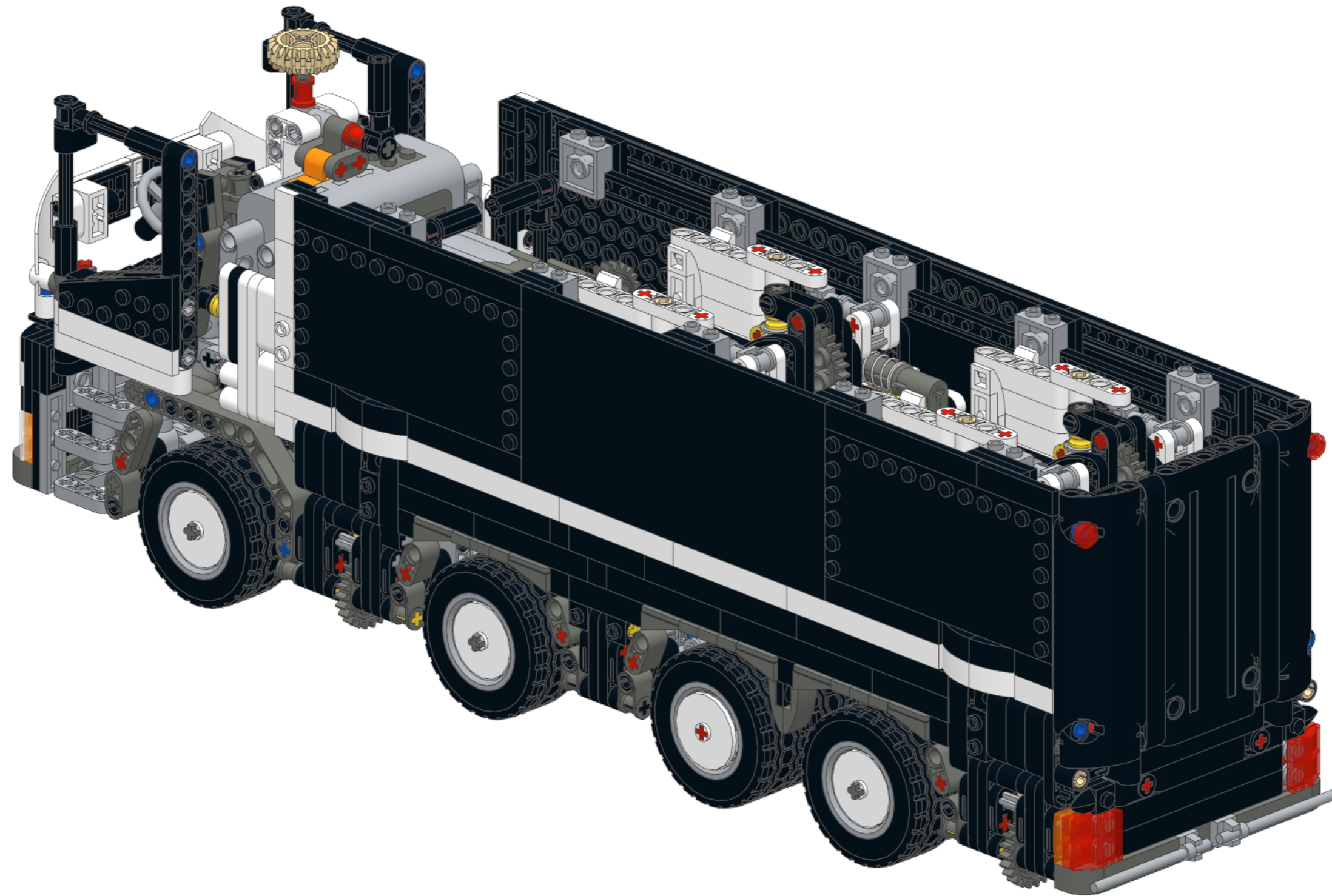
61







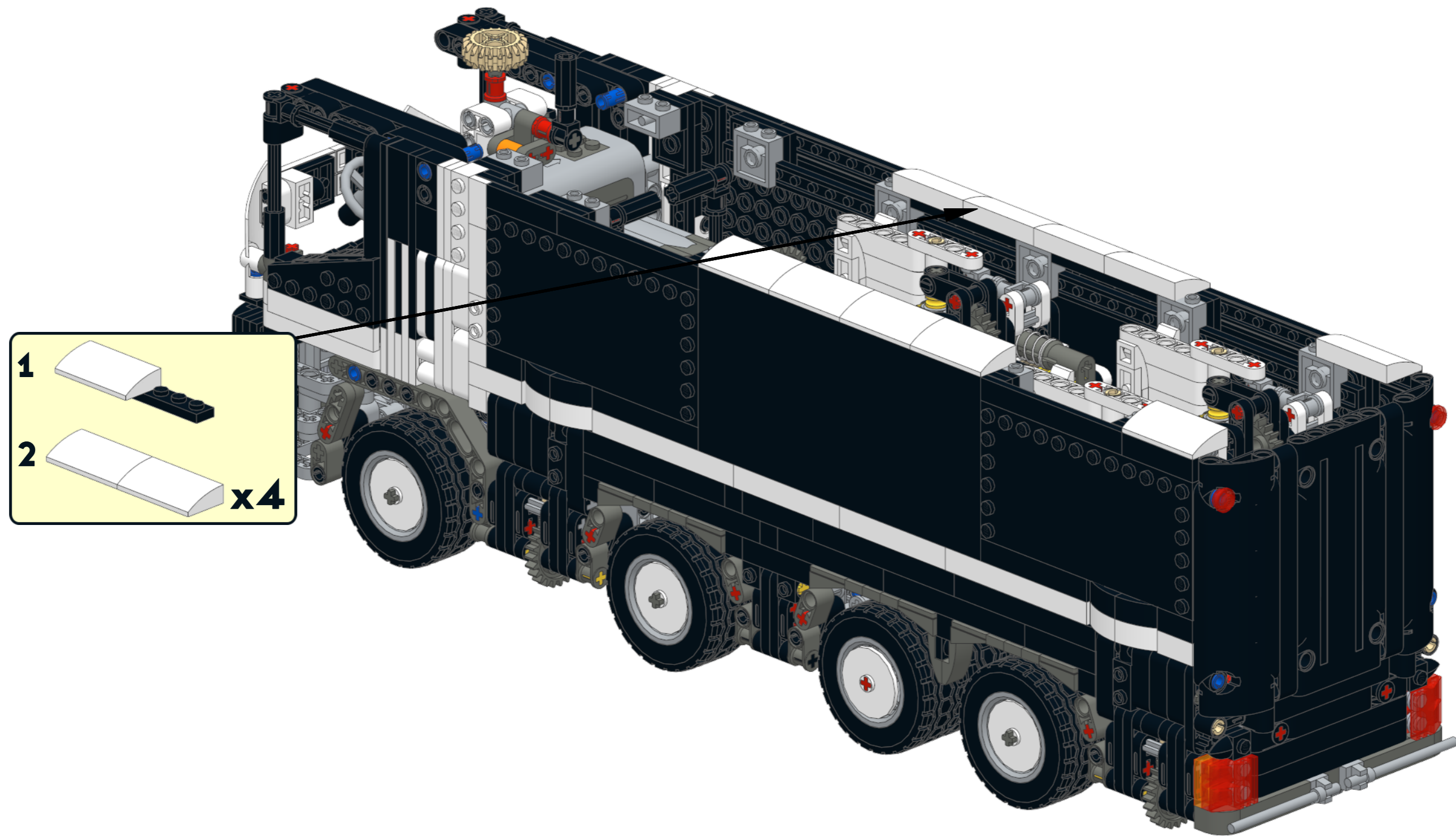




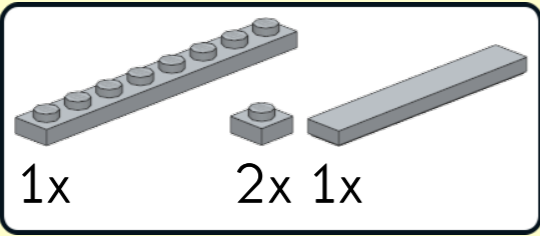
66

10x

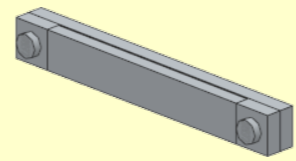
4x



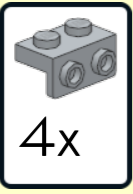
1



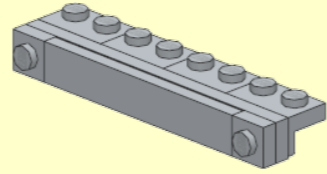
1x 2x 1x



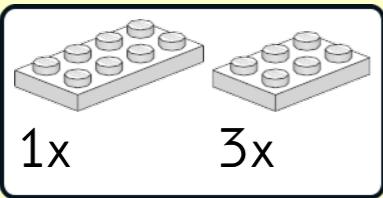
2



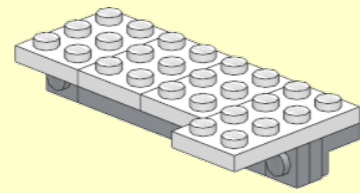
4x



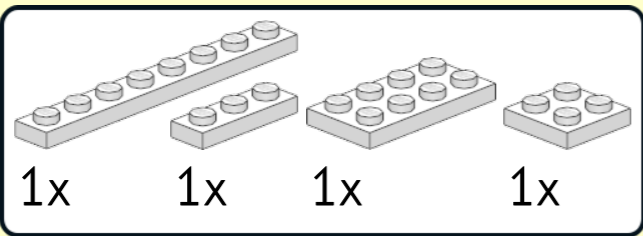
3



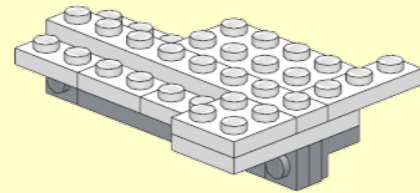
1x 3x



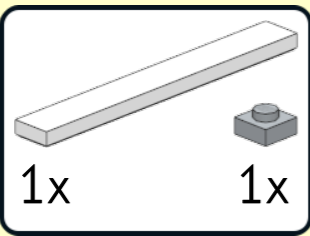
4



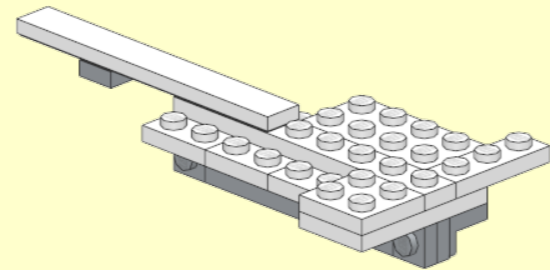
1x 1x 1x 1x



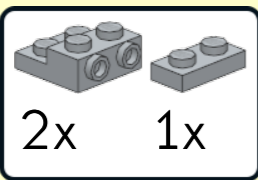
5



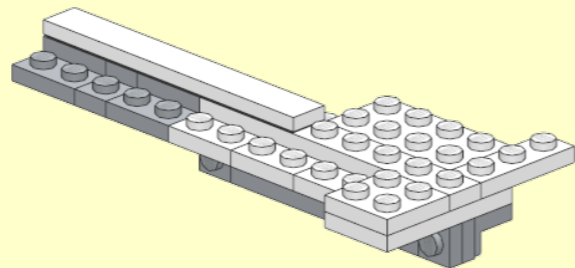
1x 1x



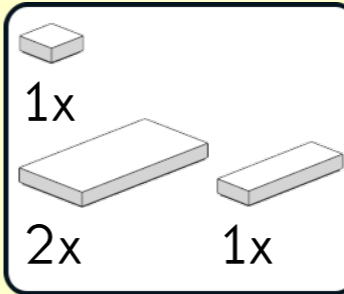
6



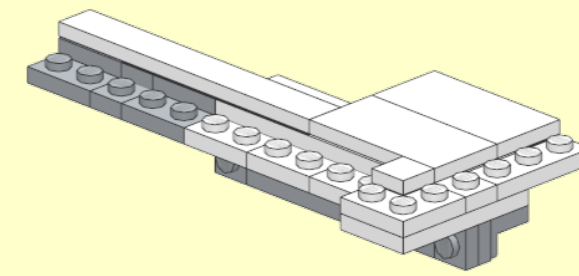
2x 1x



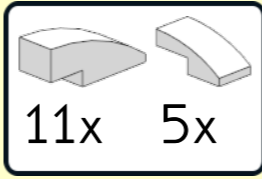
7



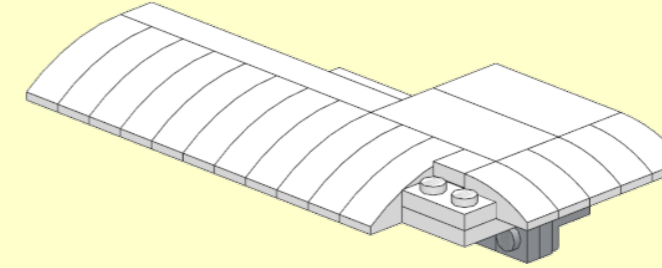
1x 2x 1x



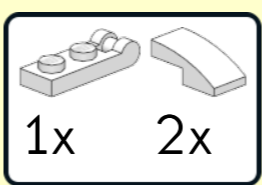
8



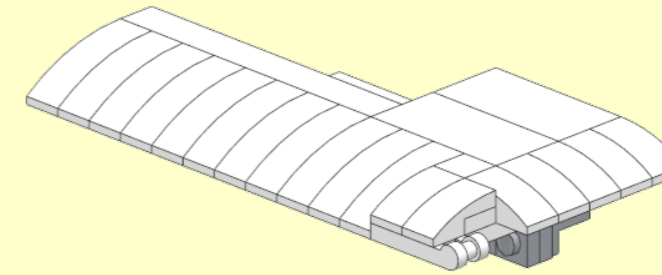
11x 5x



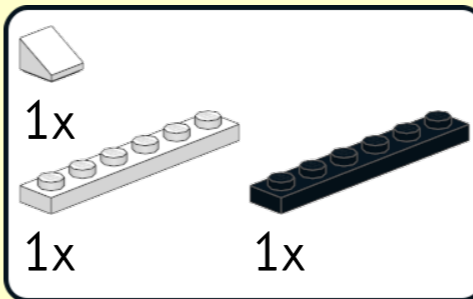
9



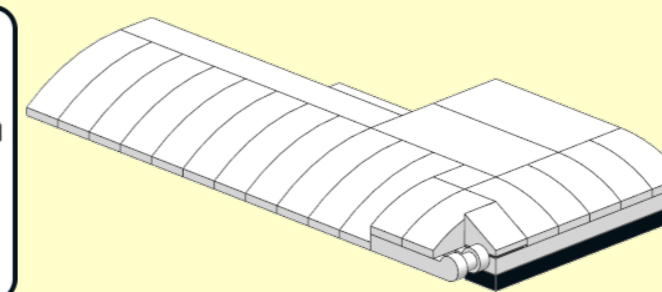
1x 2x



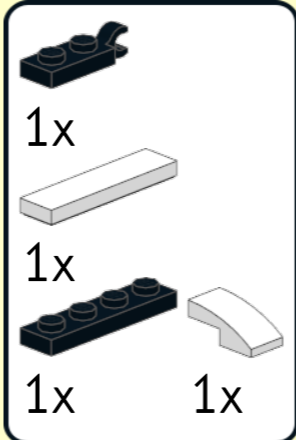
10



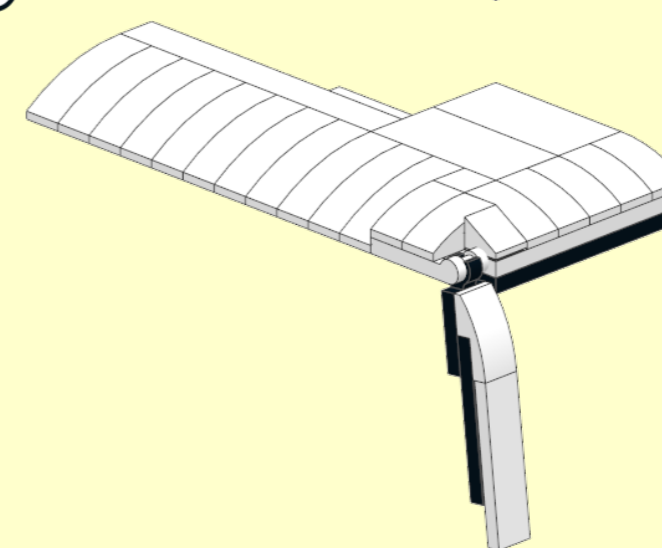
1x 1x 1x



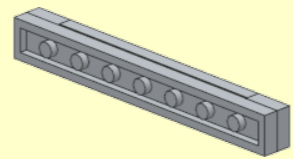
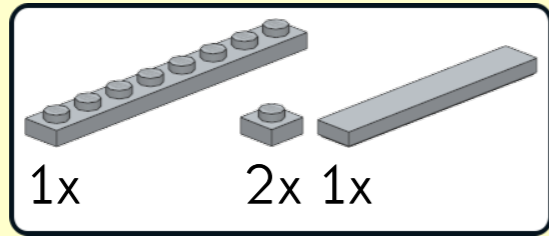
11



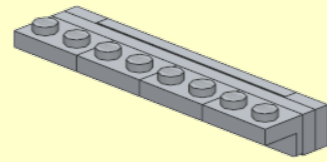
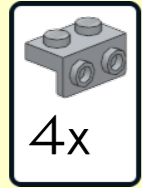
1x 1x 1x 1x



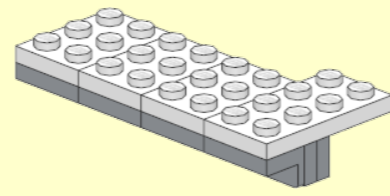
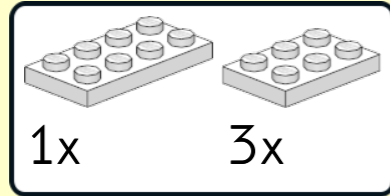
1



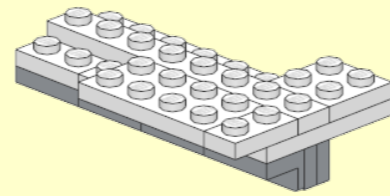
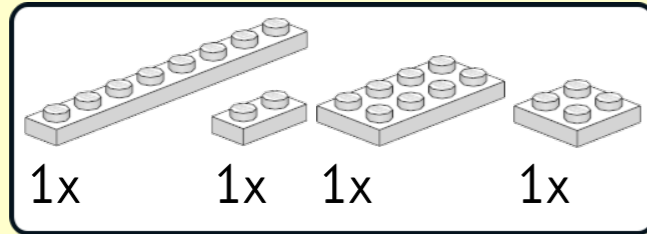
2



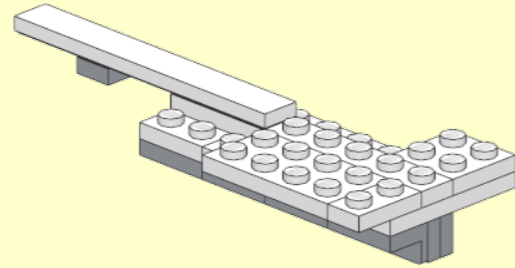
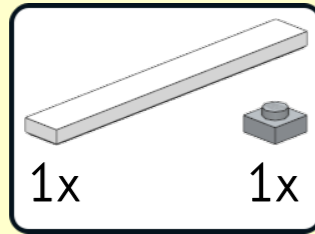
3



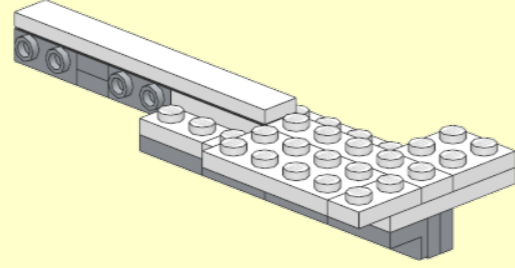
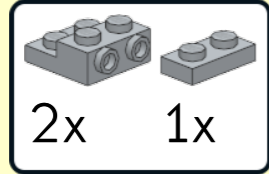
4



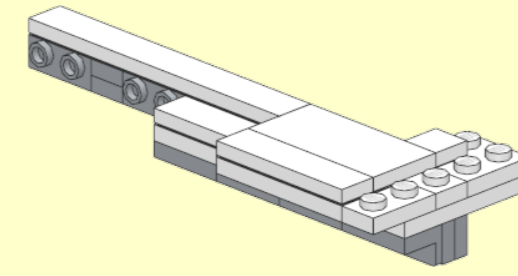
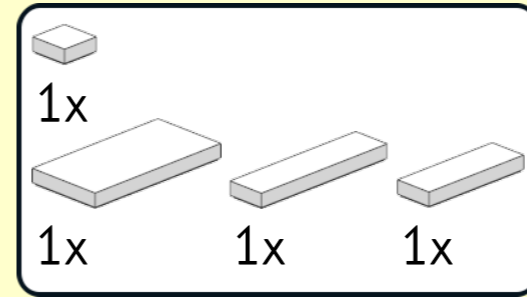
5



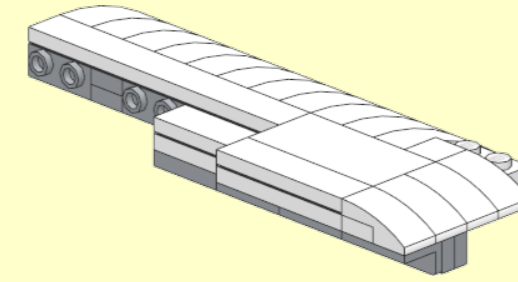
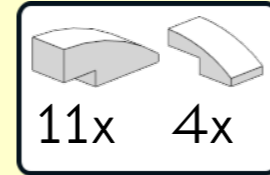
6



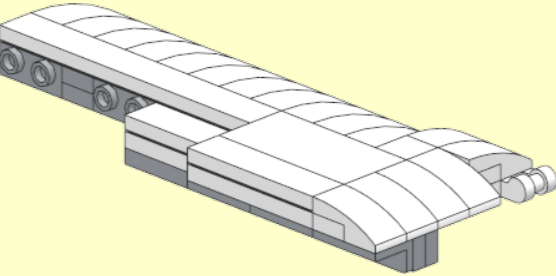
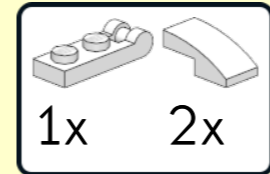
7



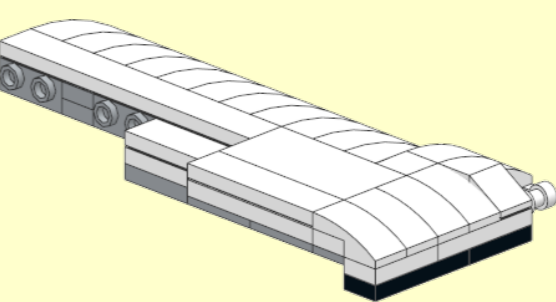
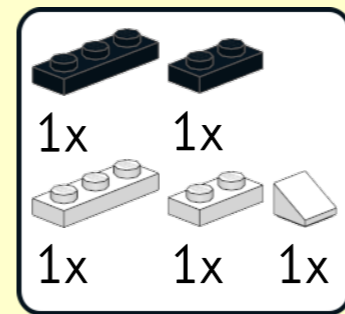
8



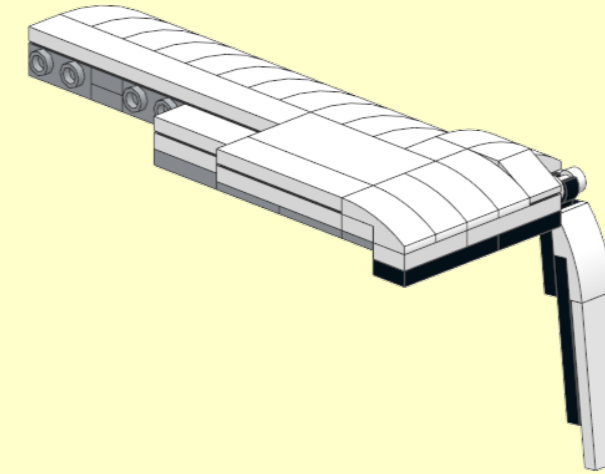
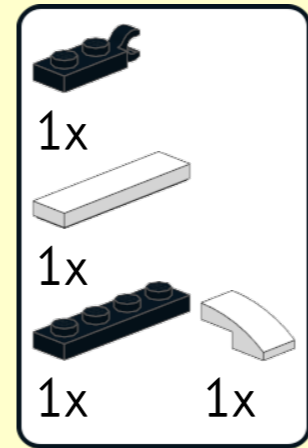
9

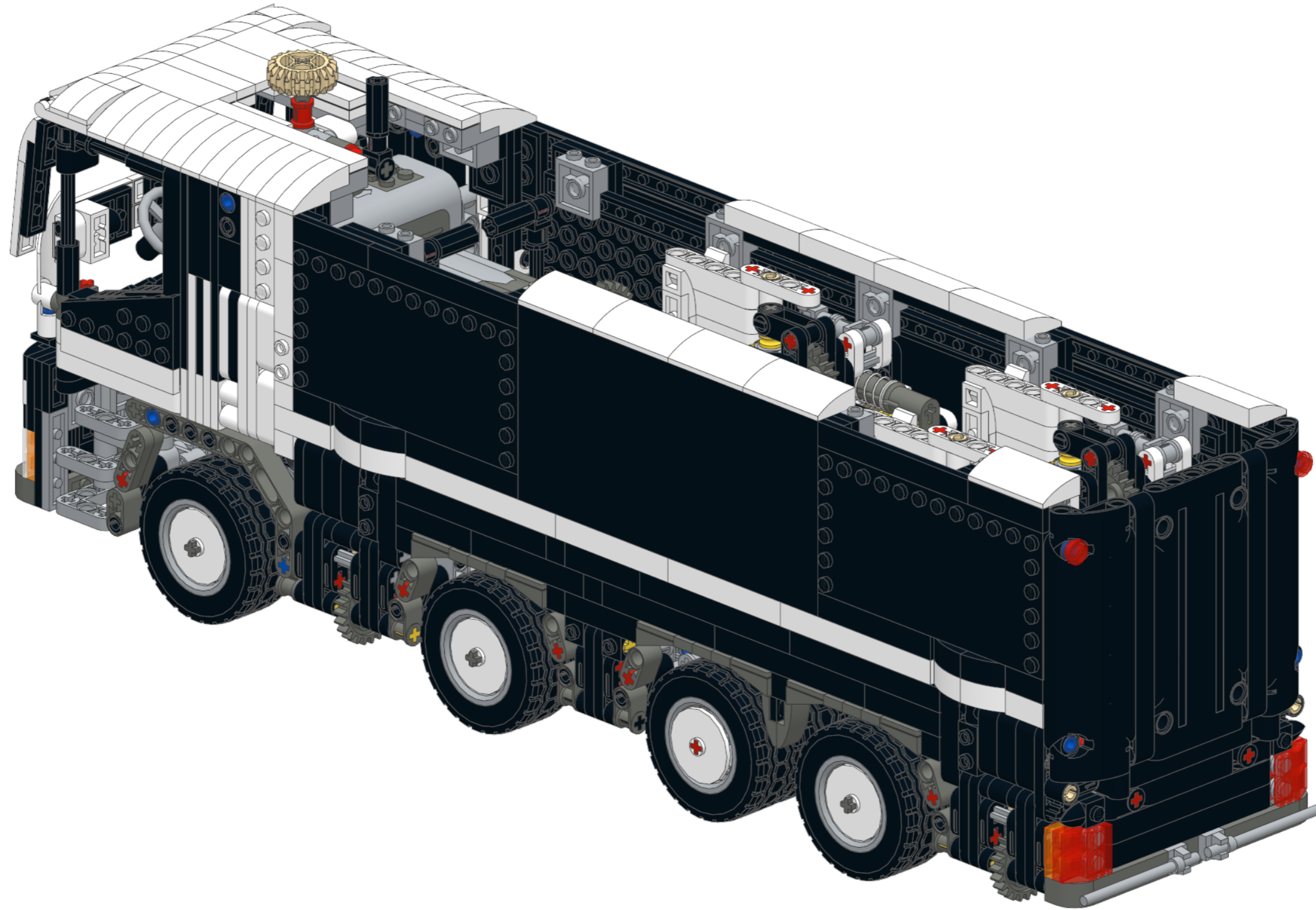


10

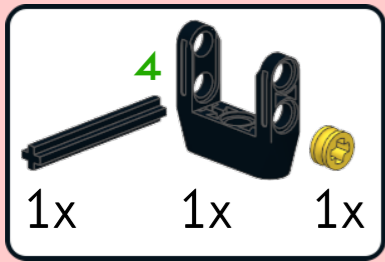


11

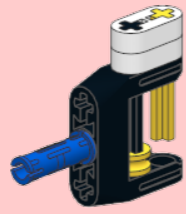
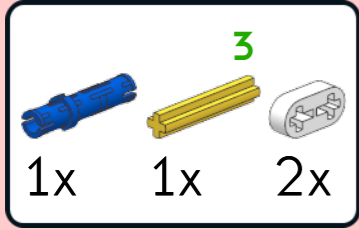




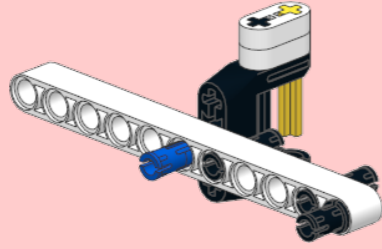
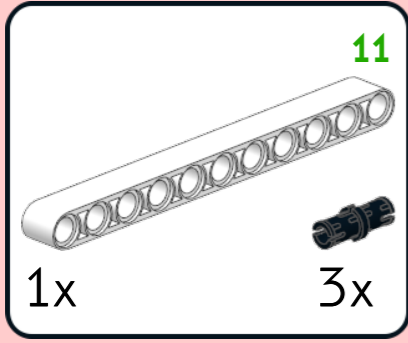
1



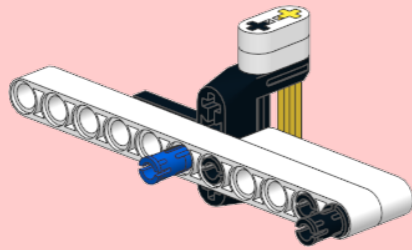
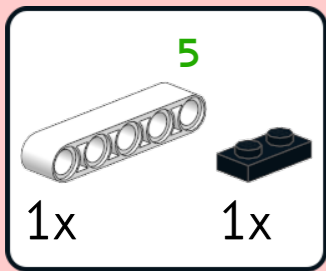
2



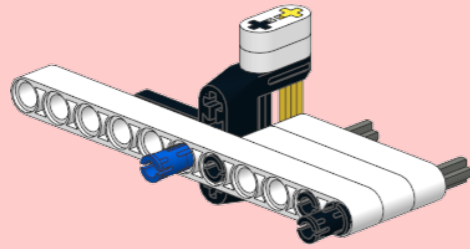
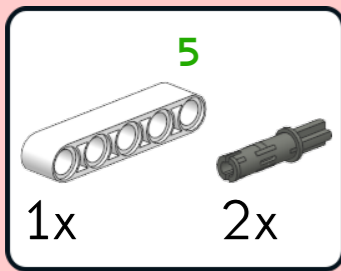
3



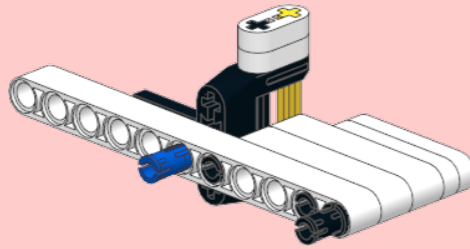
4



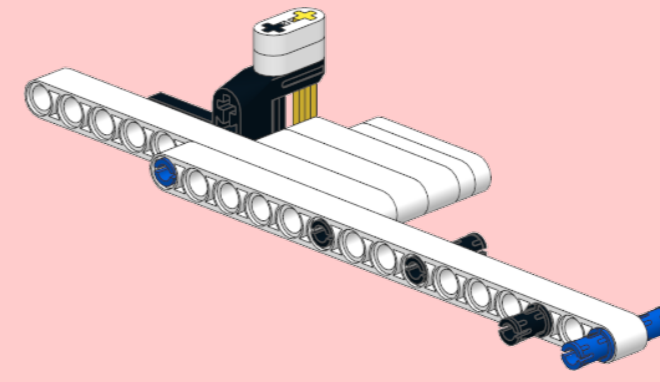
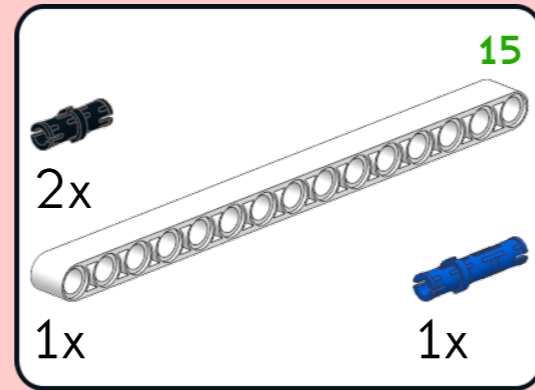
5



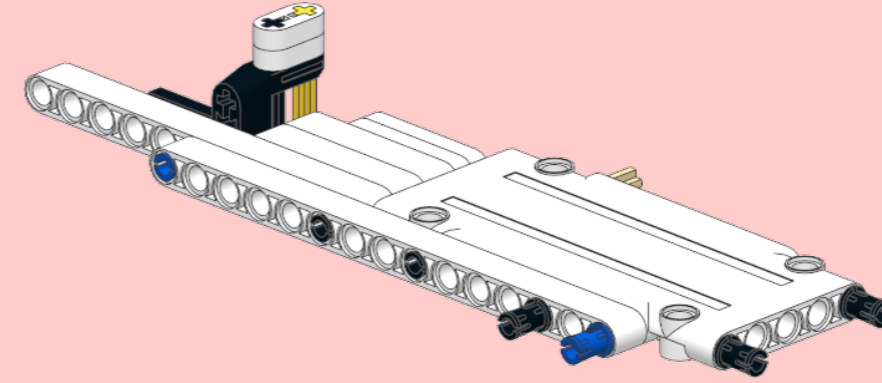
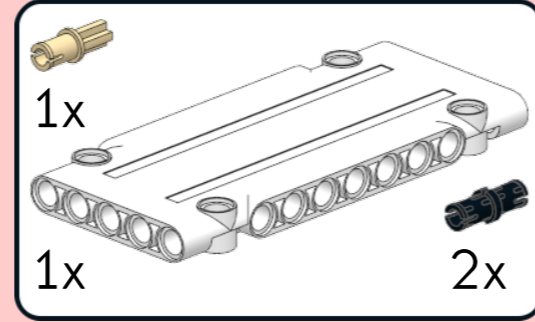
6



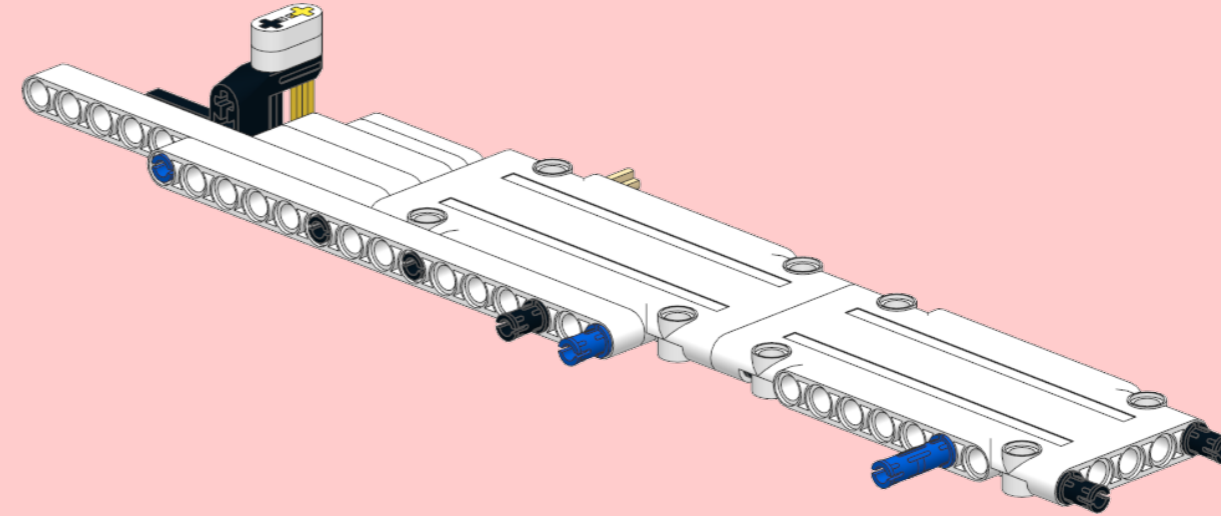
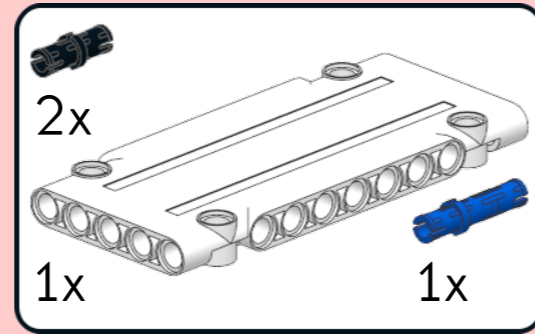
7



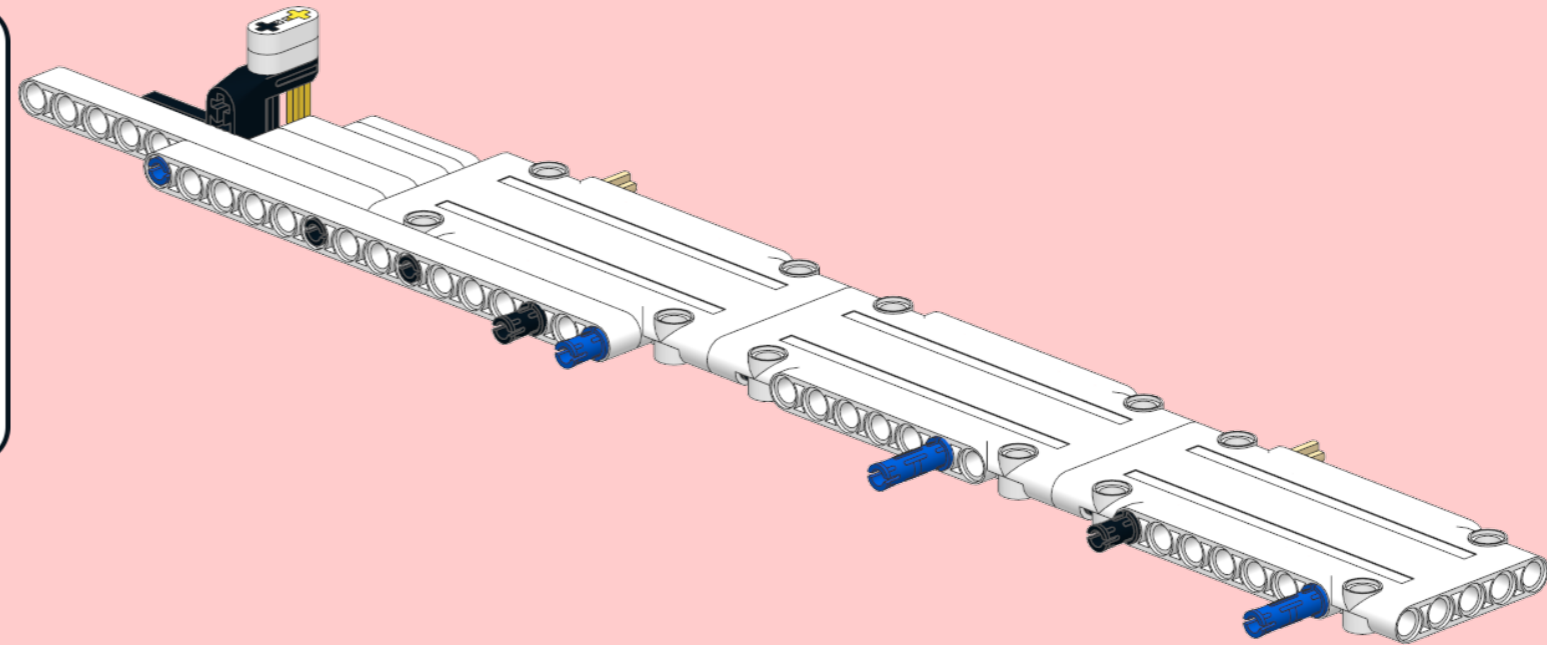
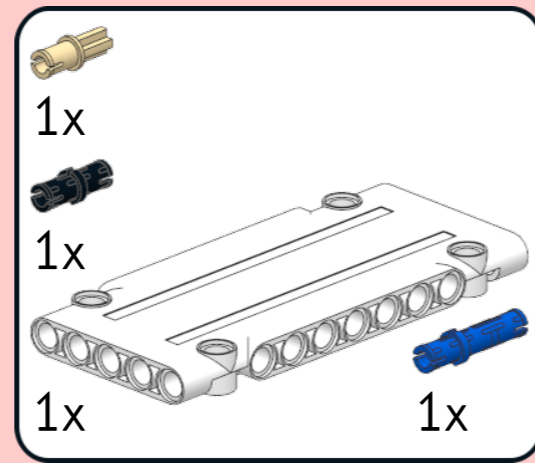
8



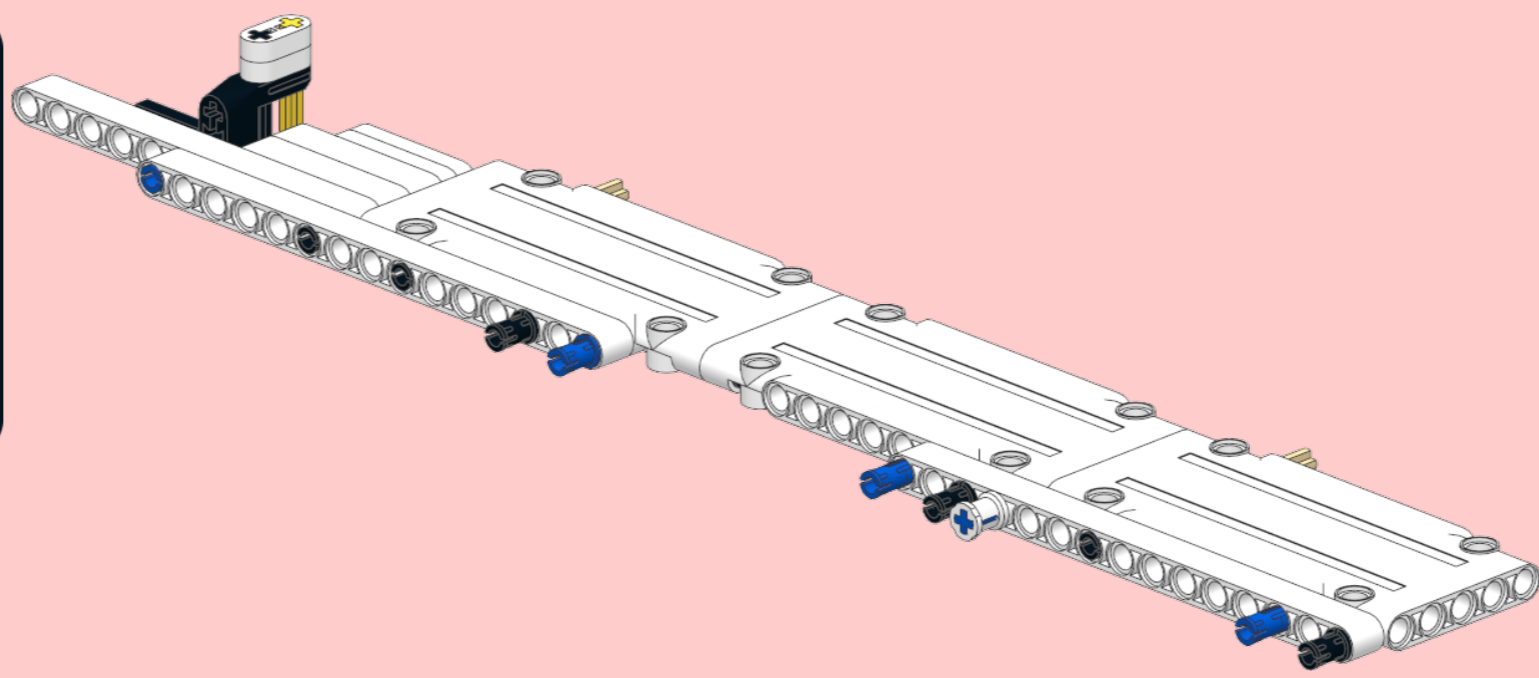
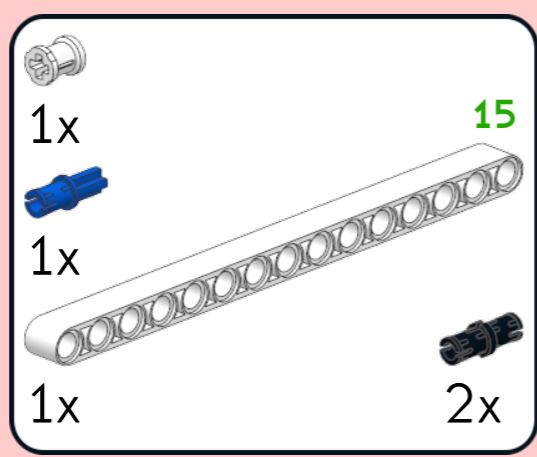
9



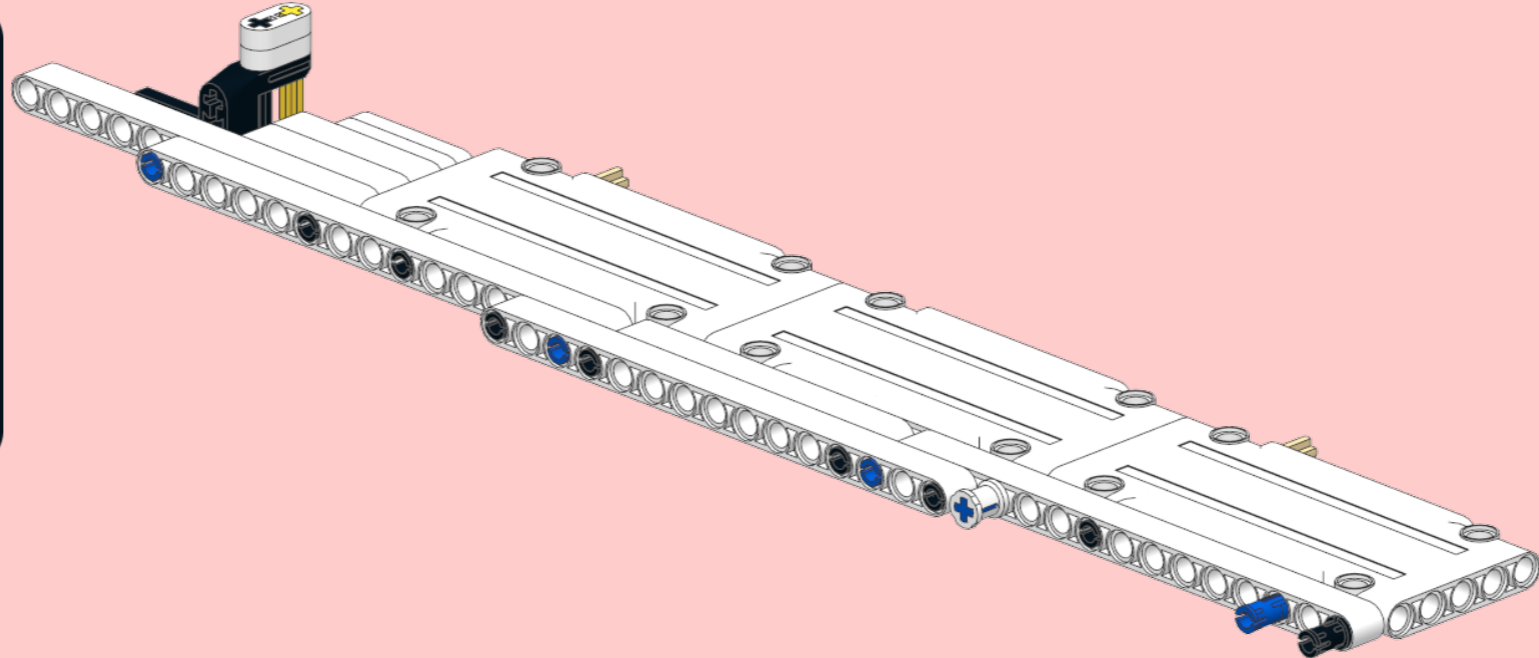
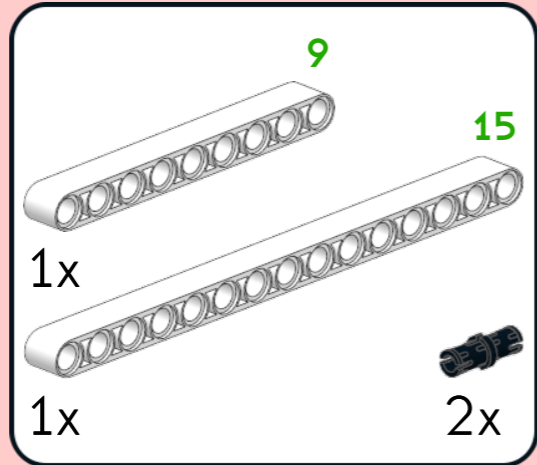
10



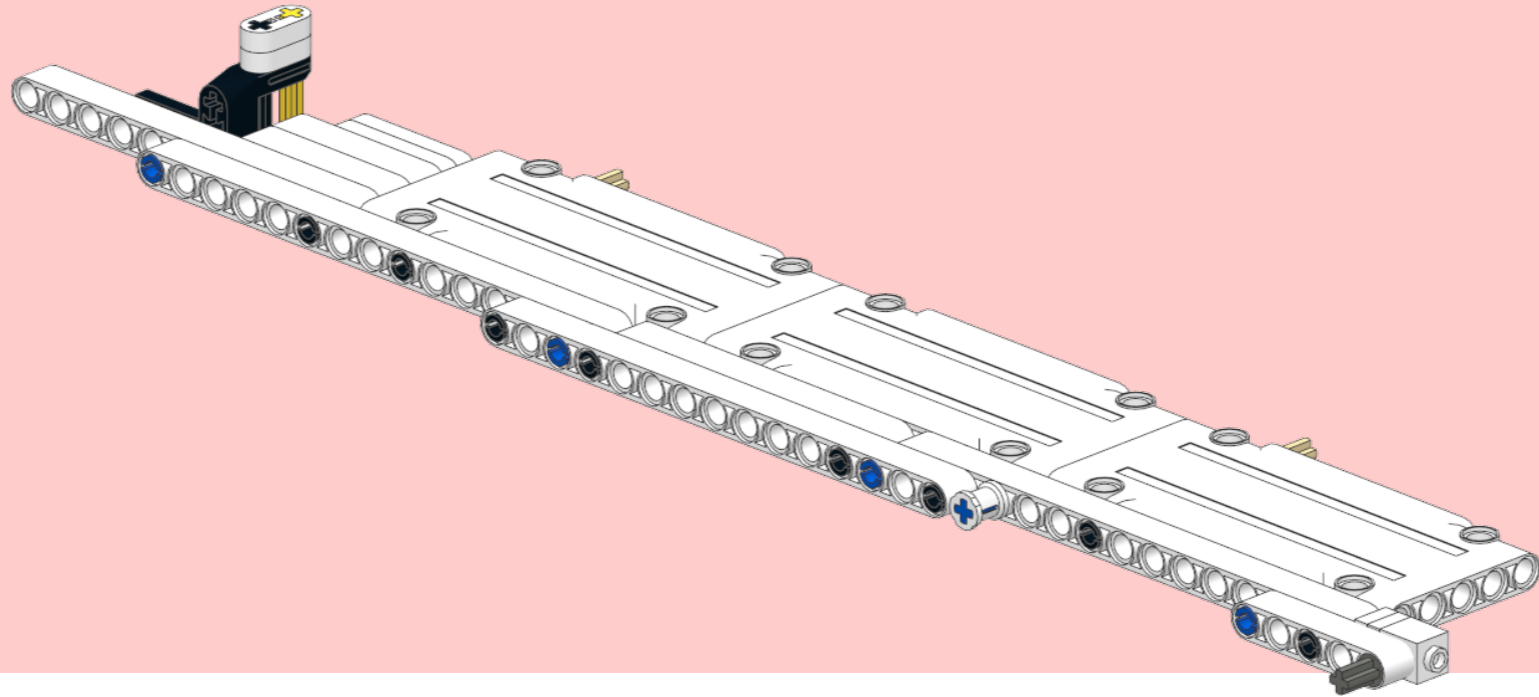
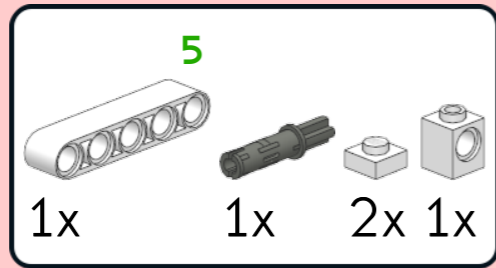
11



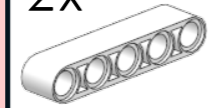


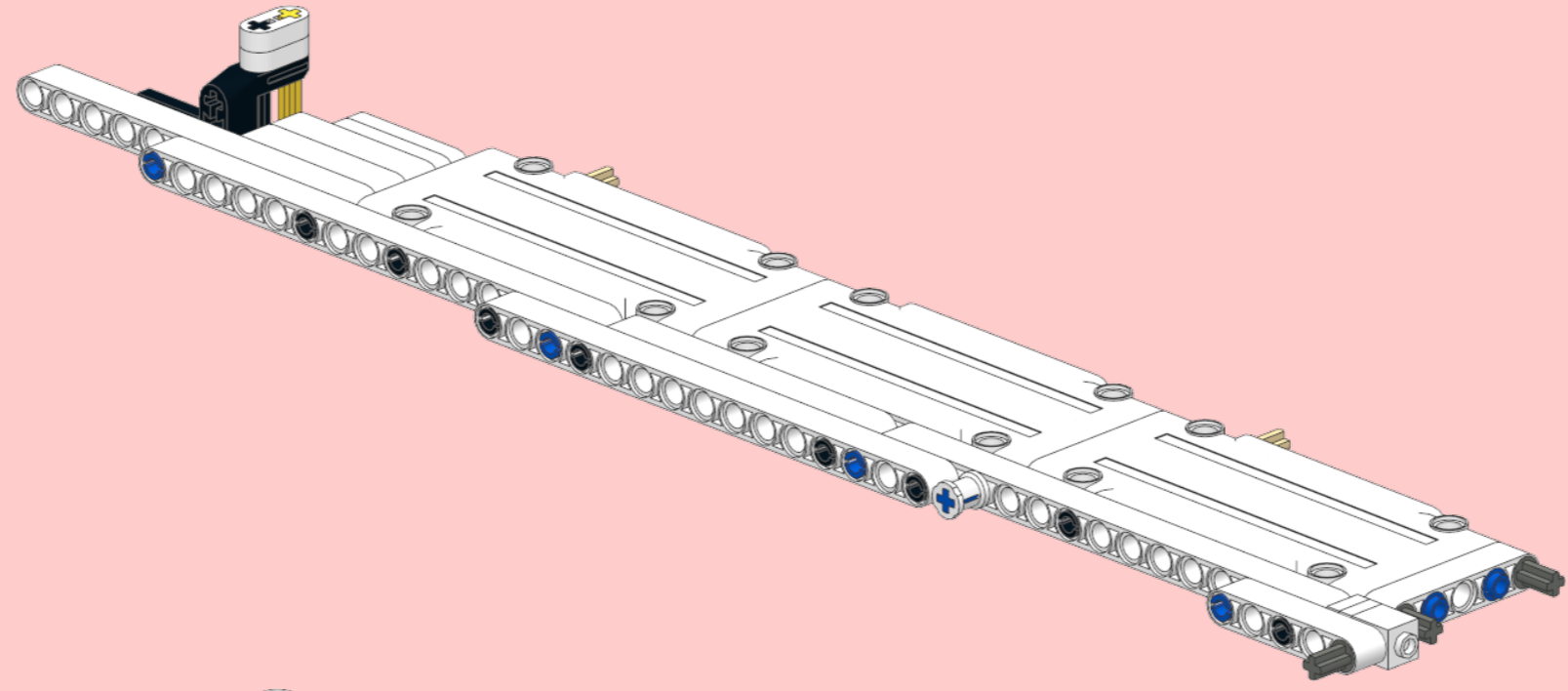
12

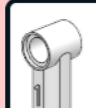



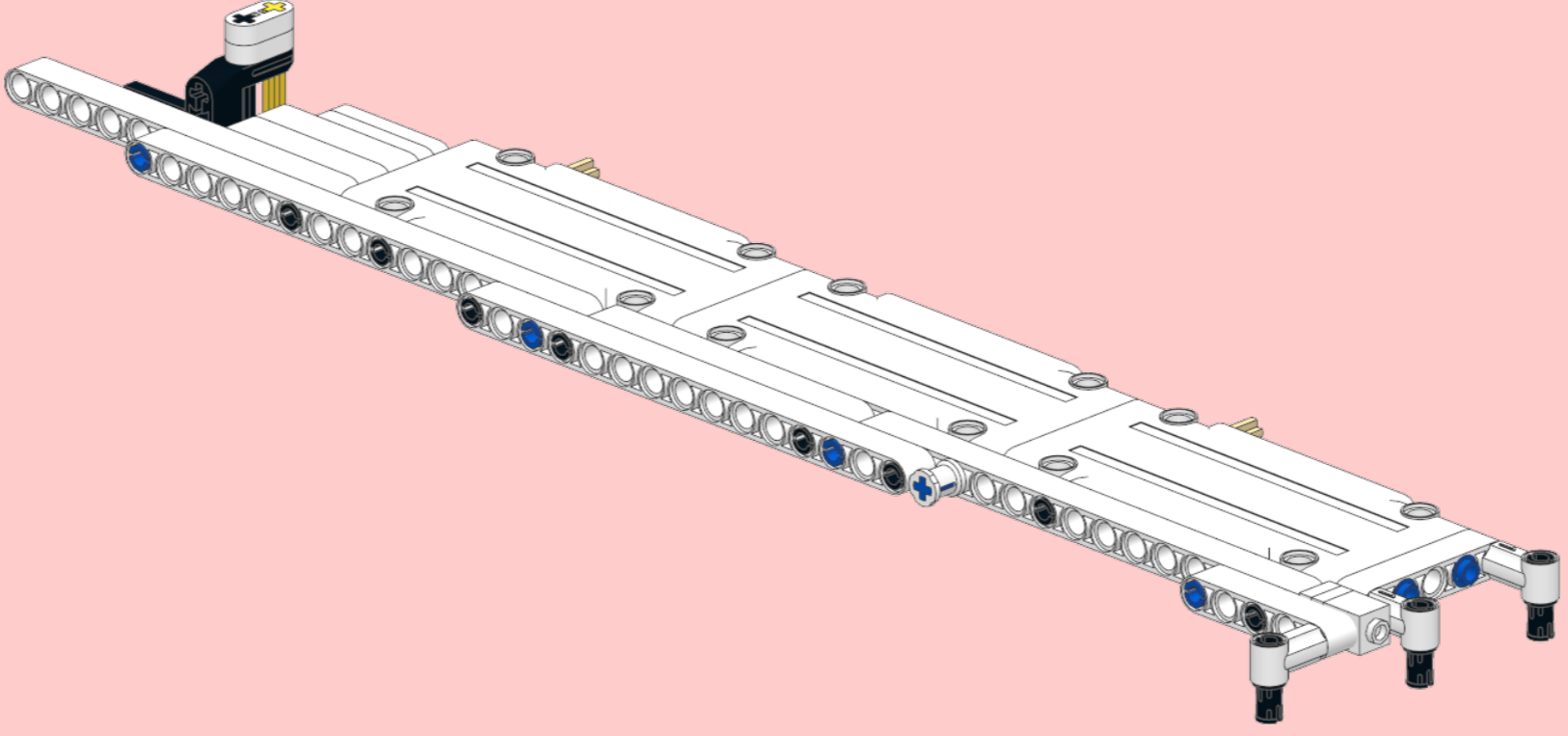
13



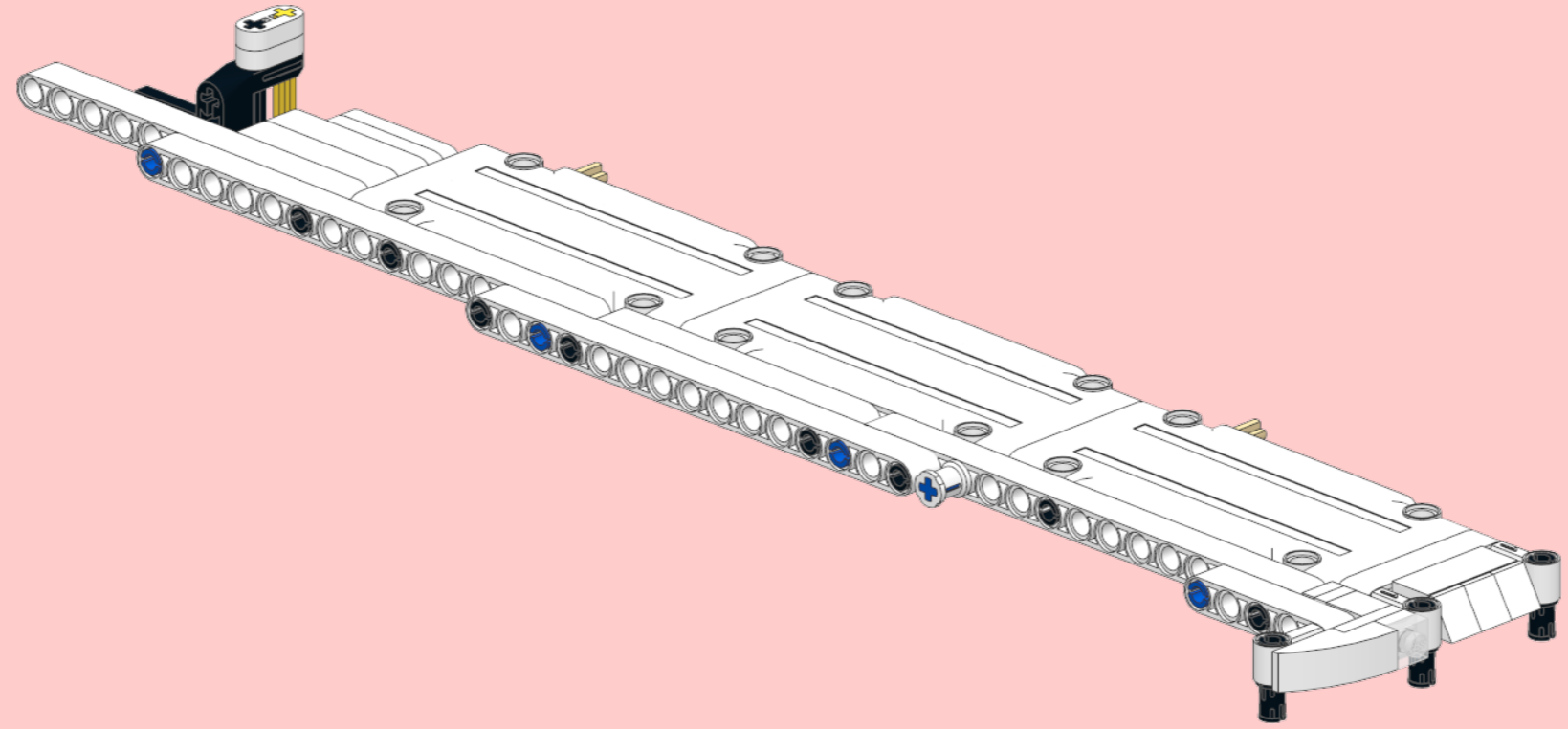
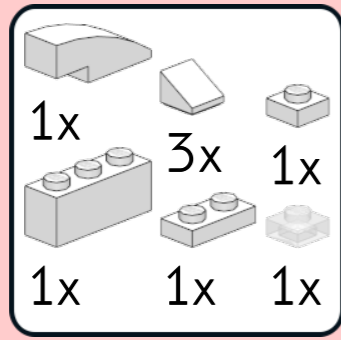
- 14**
-  2x
 -  2x
 -  5
1x



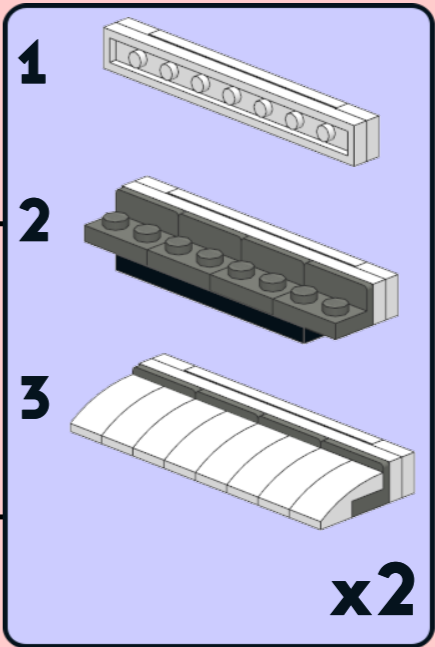
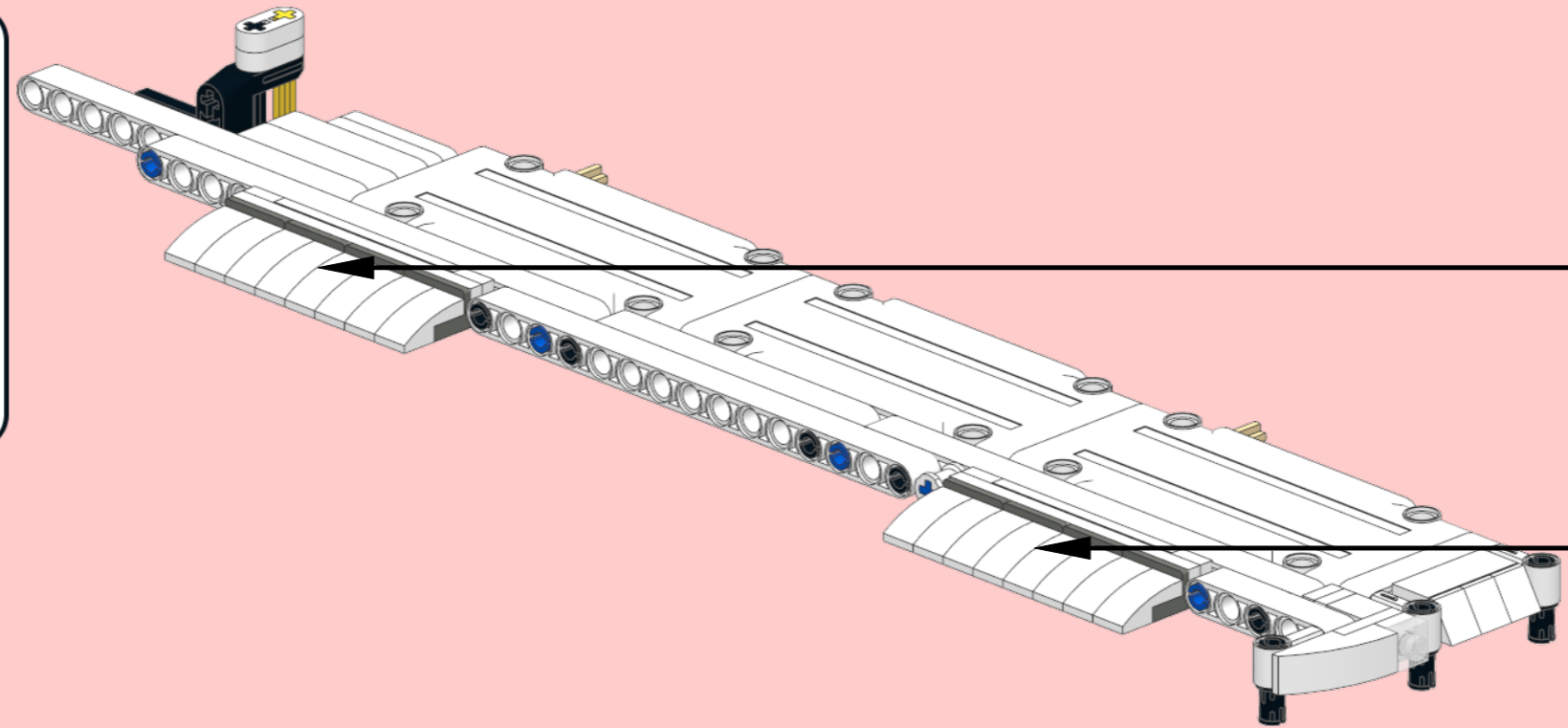
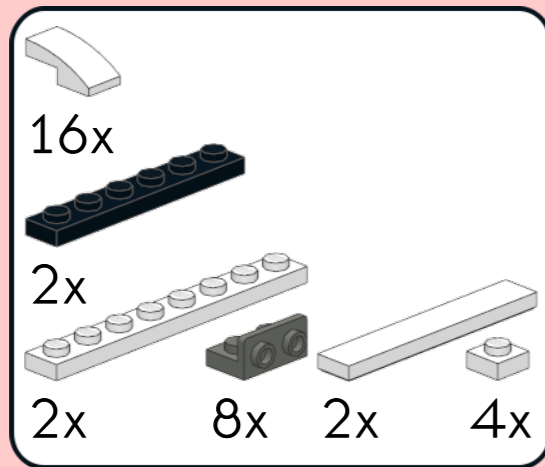
- 15**
-  3x
 -  3x



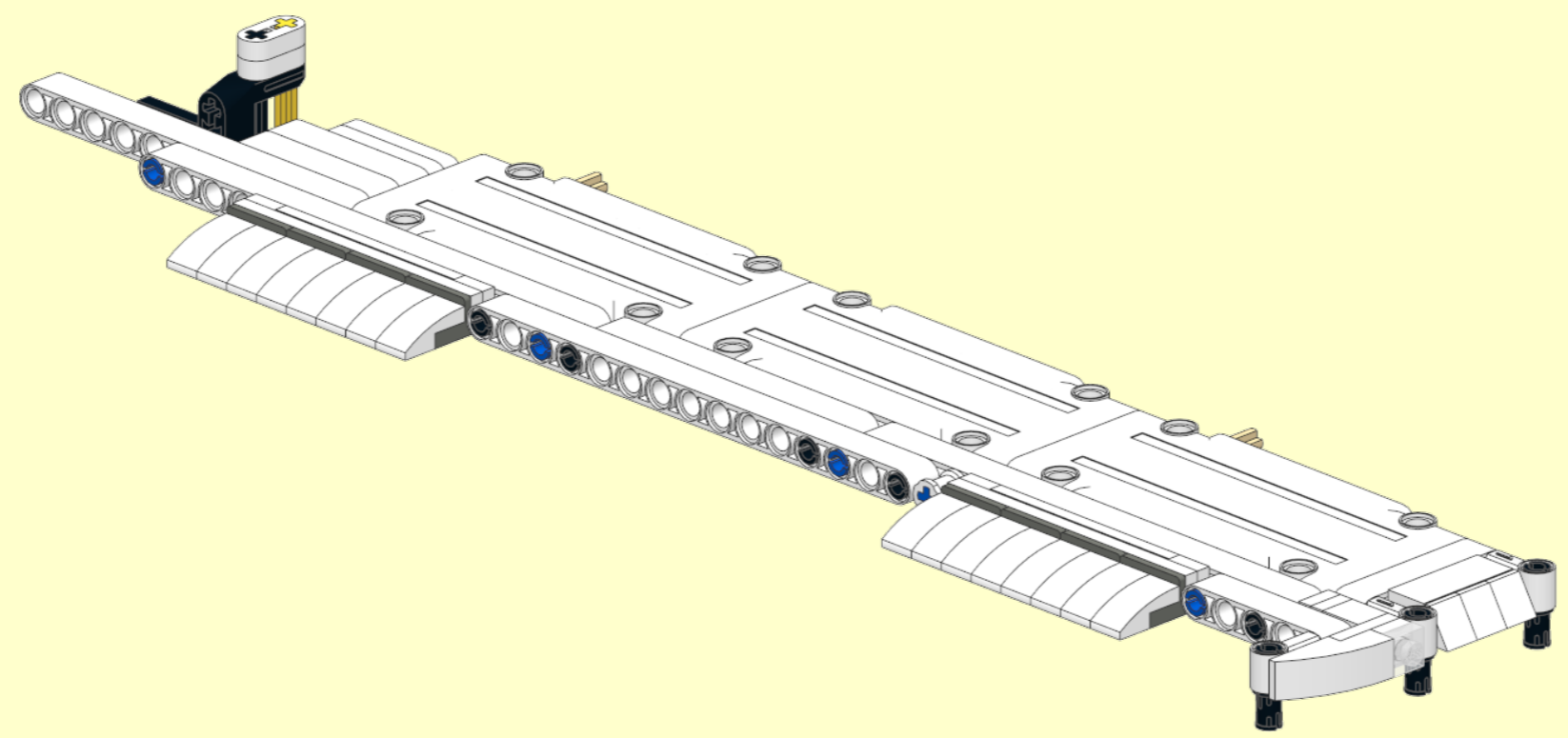
16



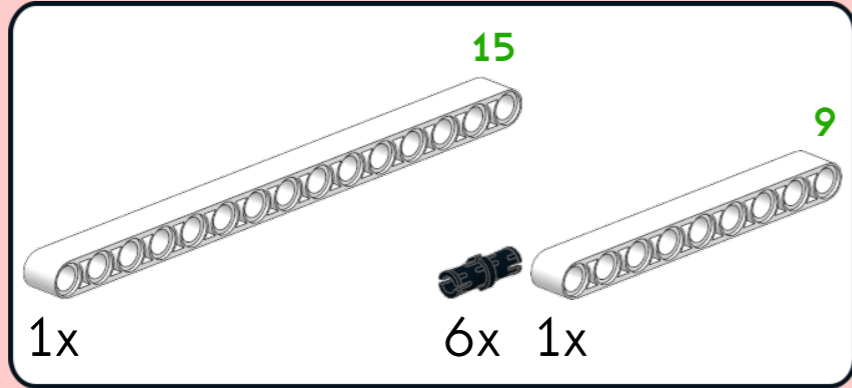
17



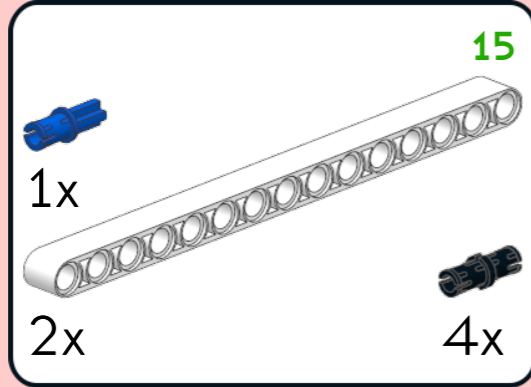
1



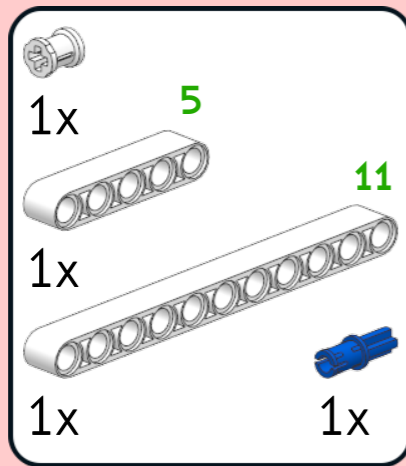
1



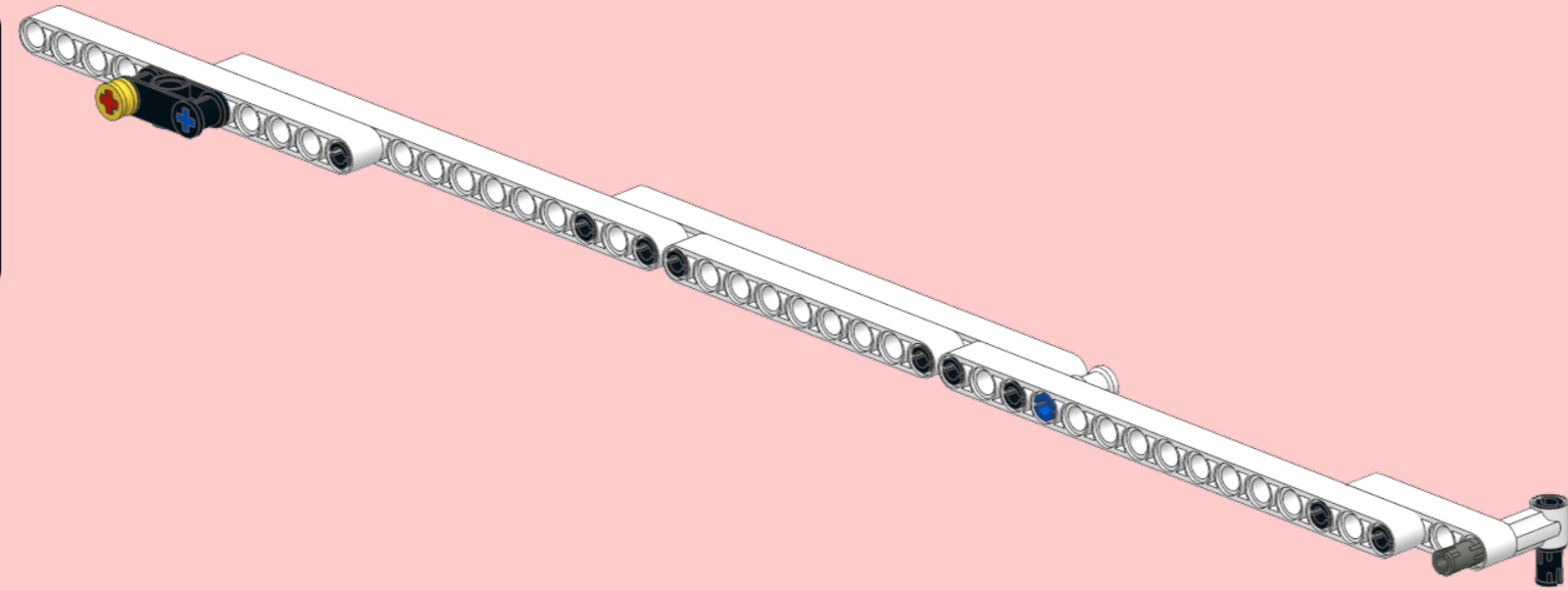
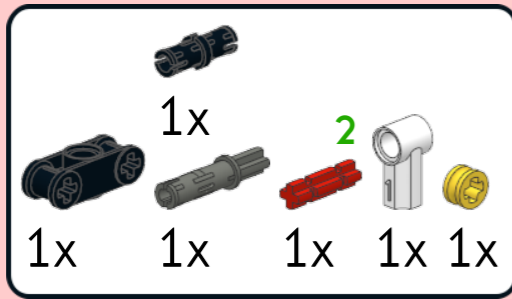
2



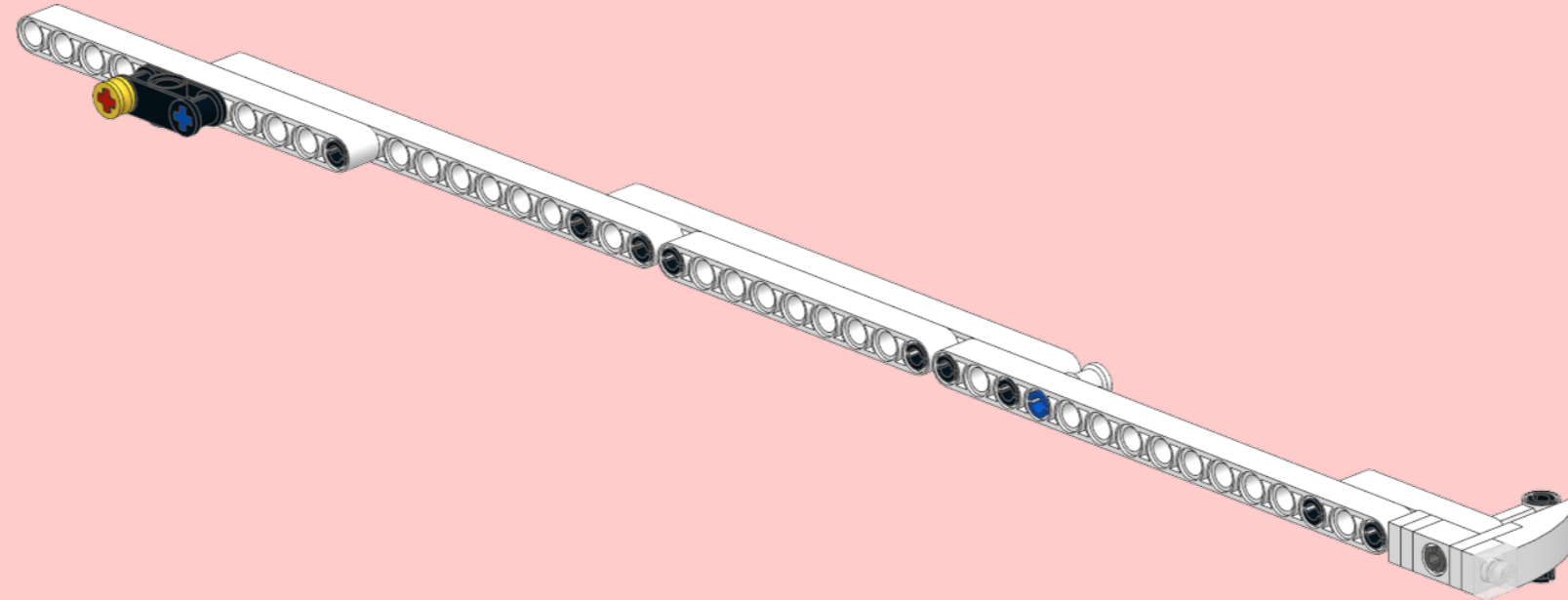
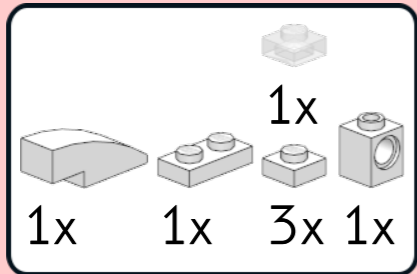
3



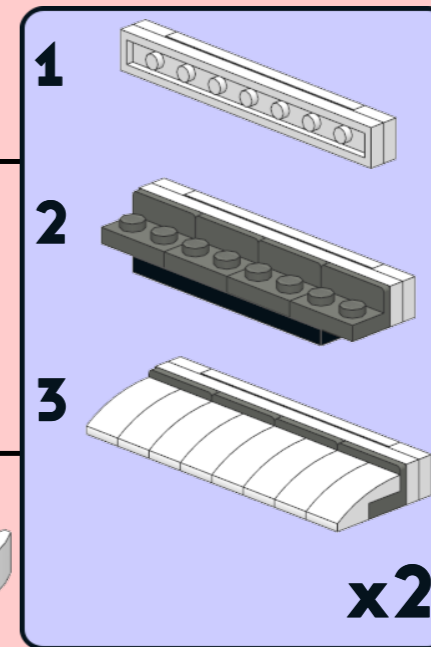
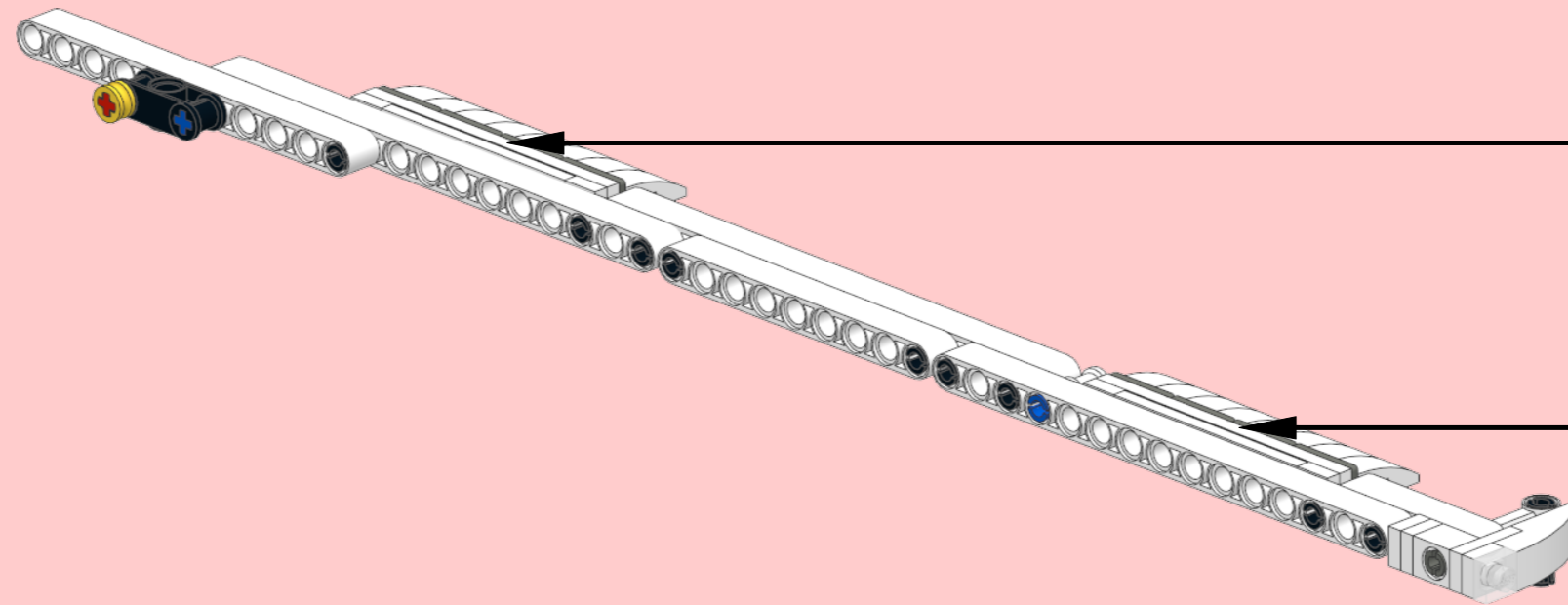
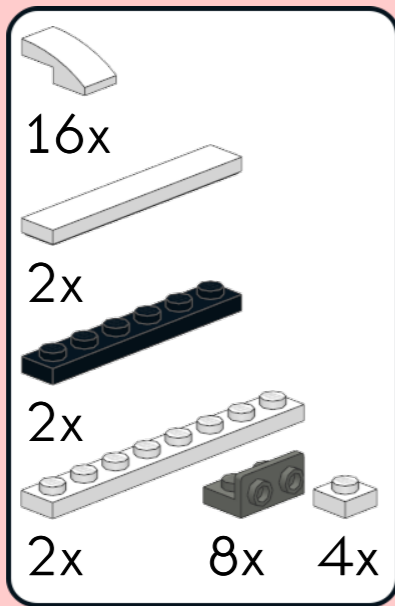
4

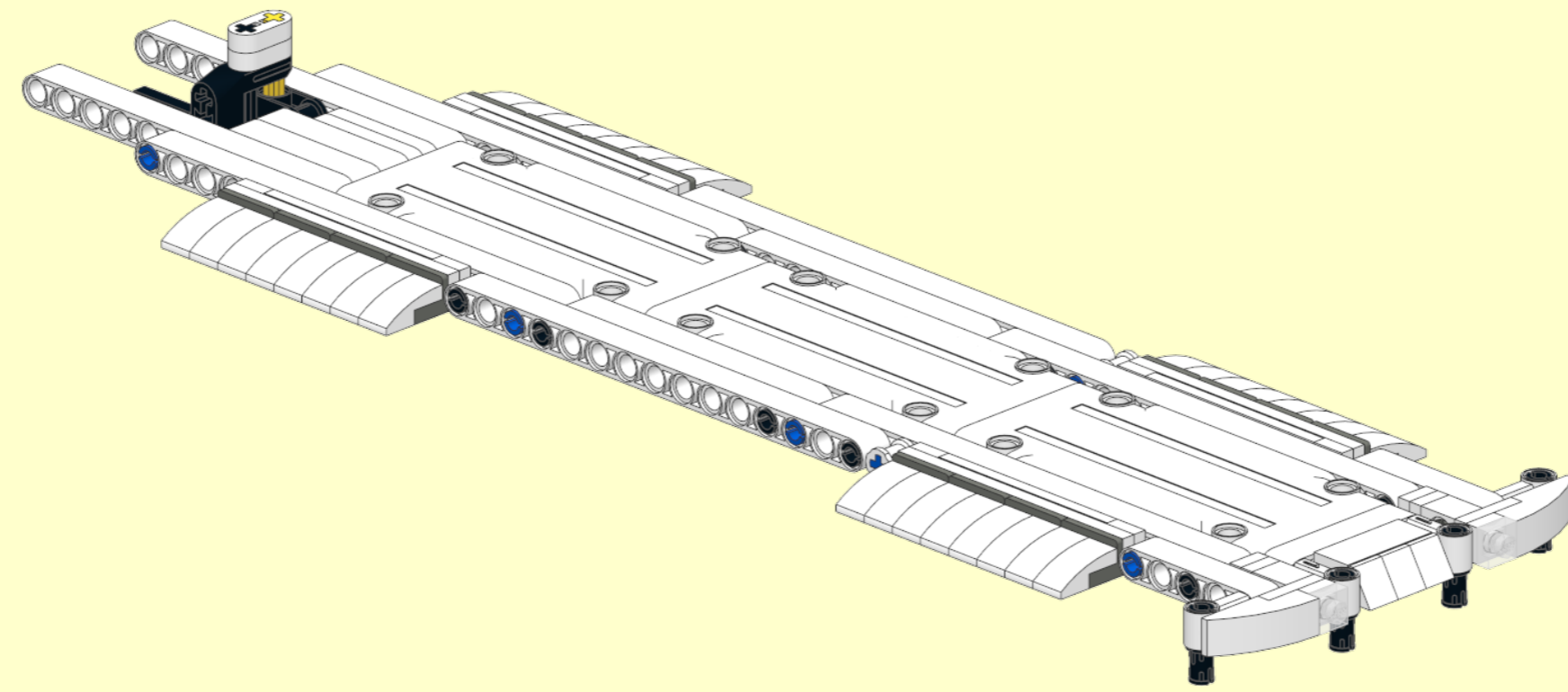


5



6







69

