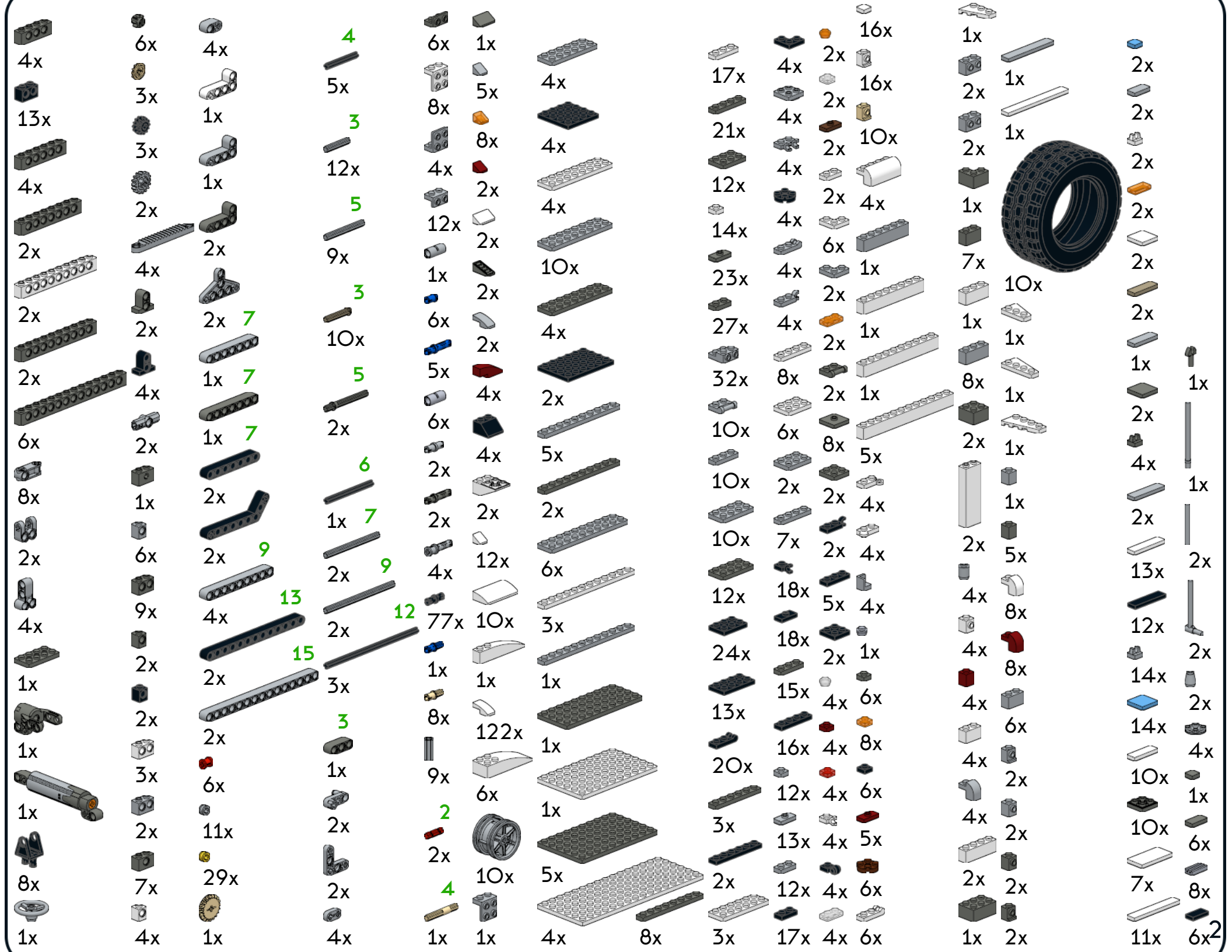


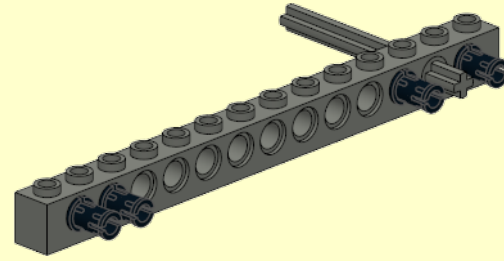
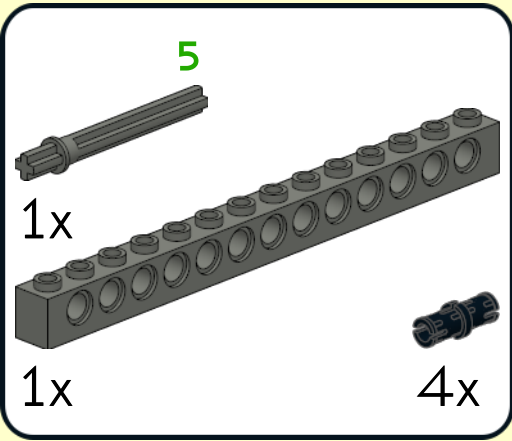
Erik Leppen



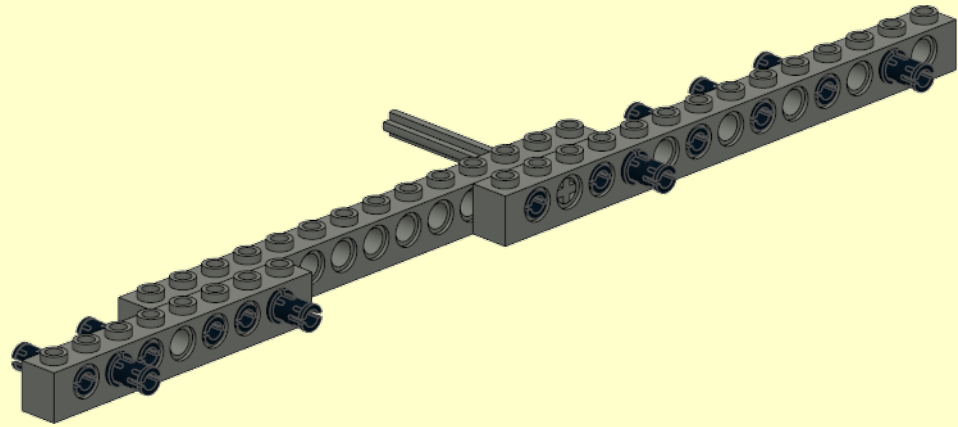
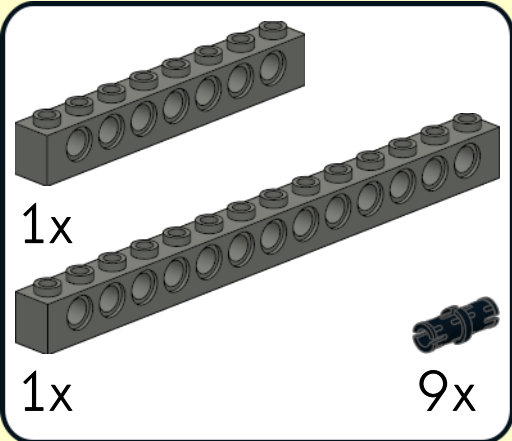
“Tipper Truck”



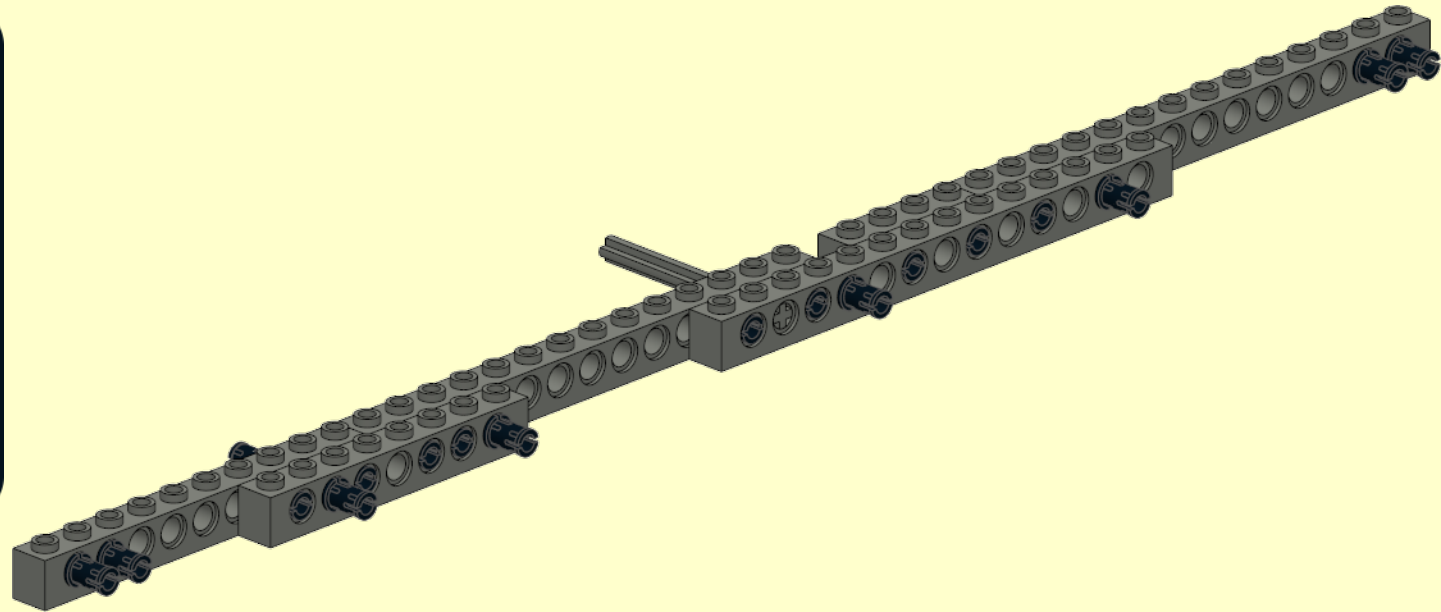
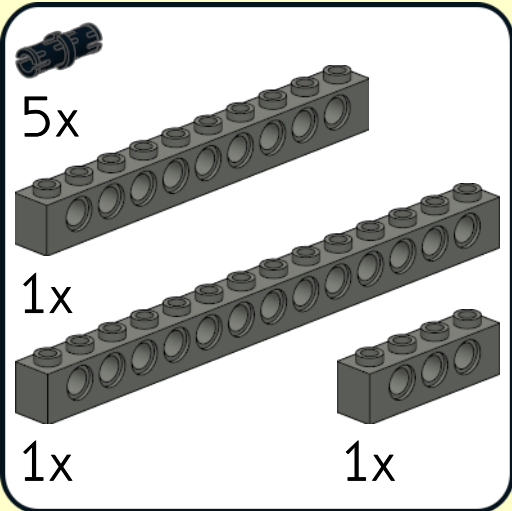
1

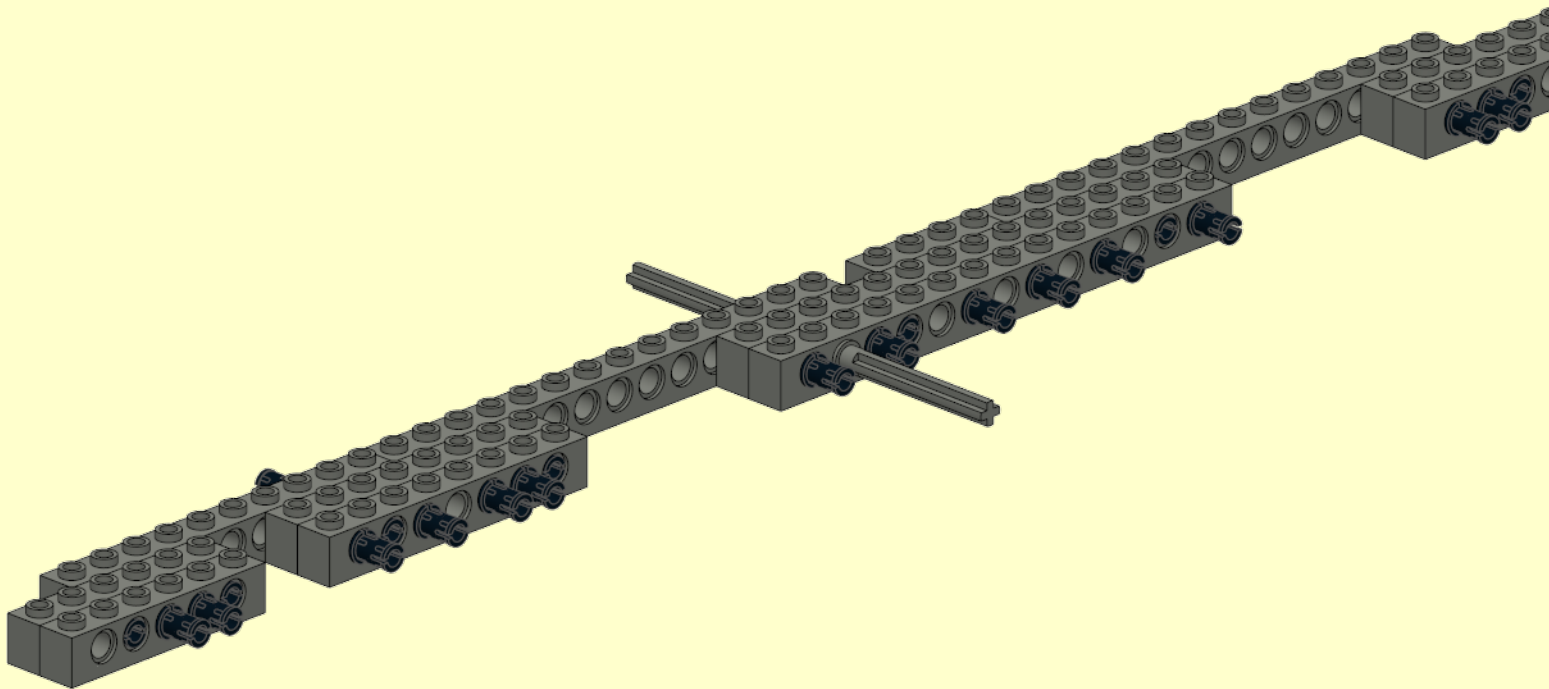
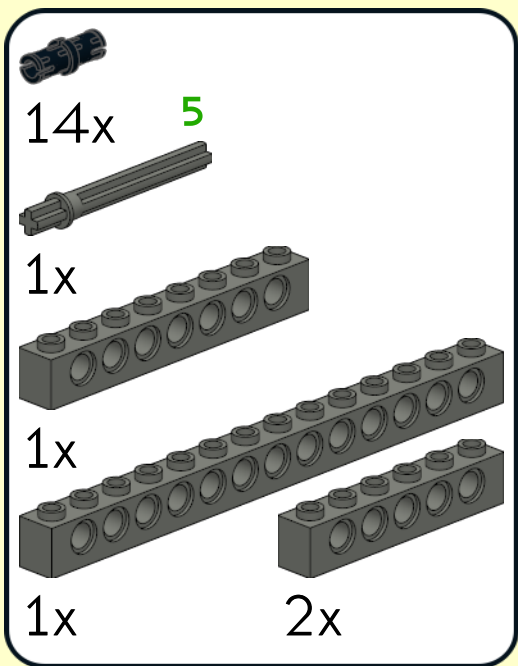
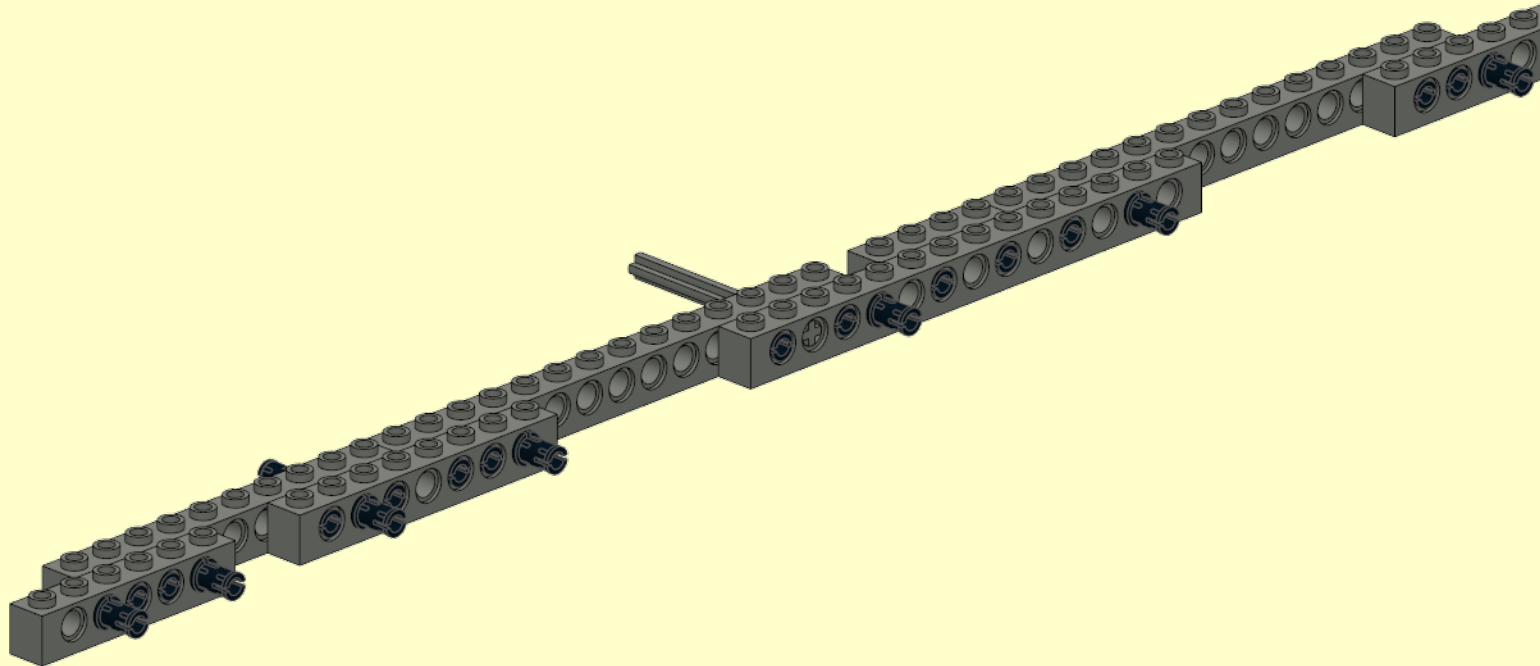
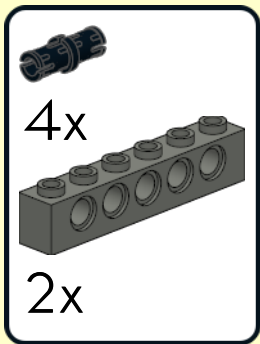


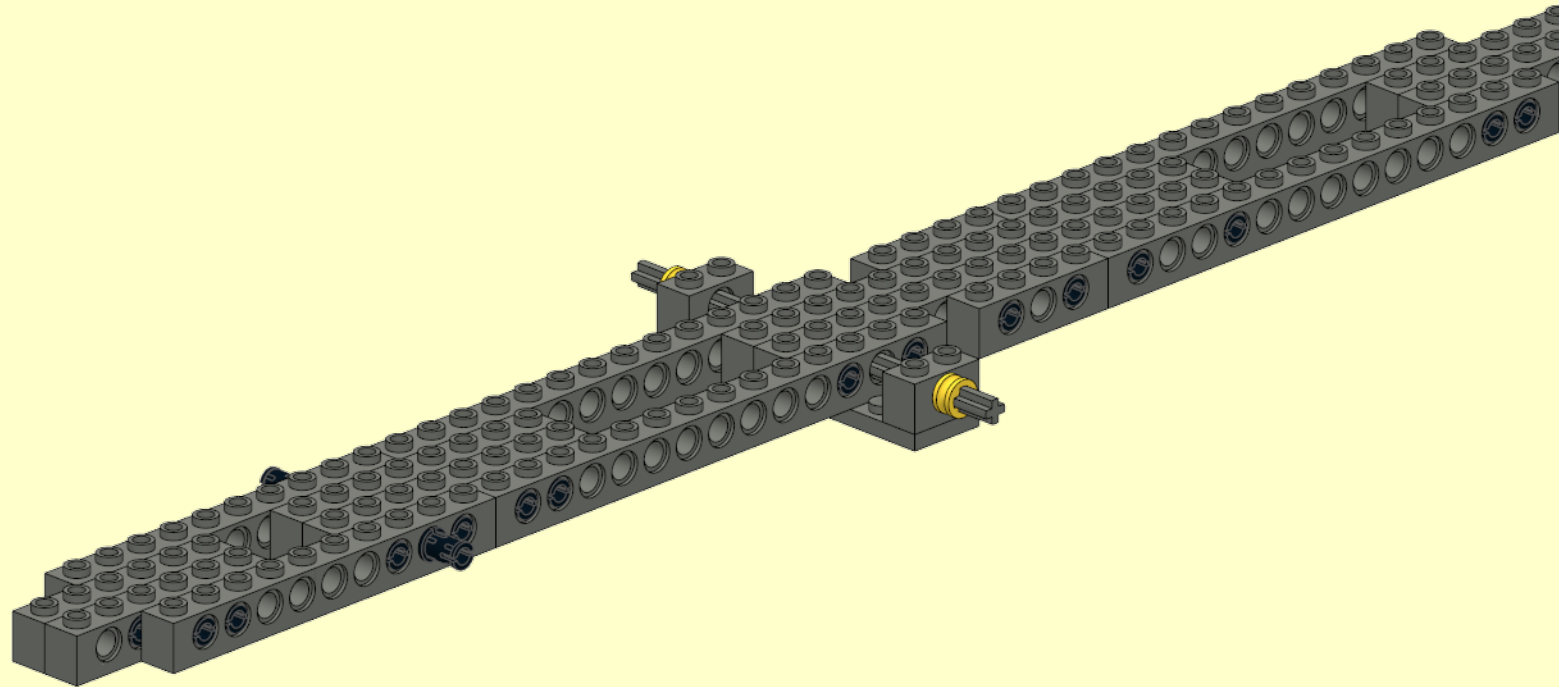
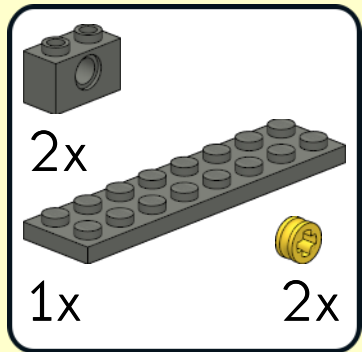
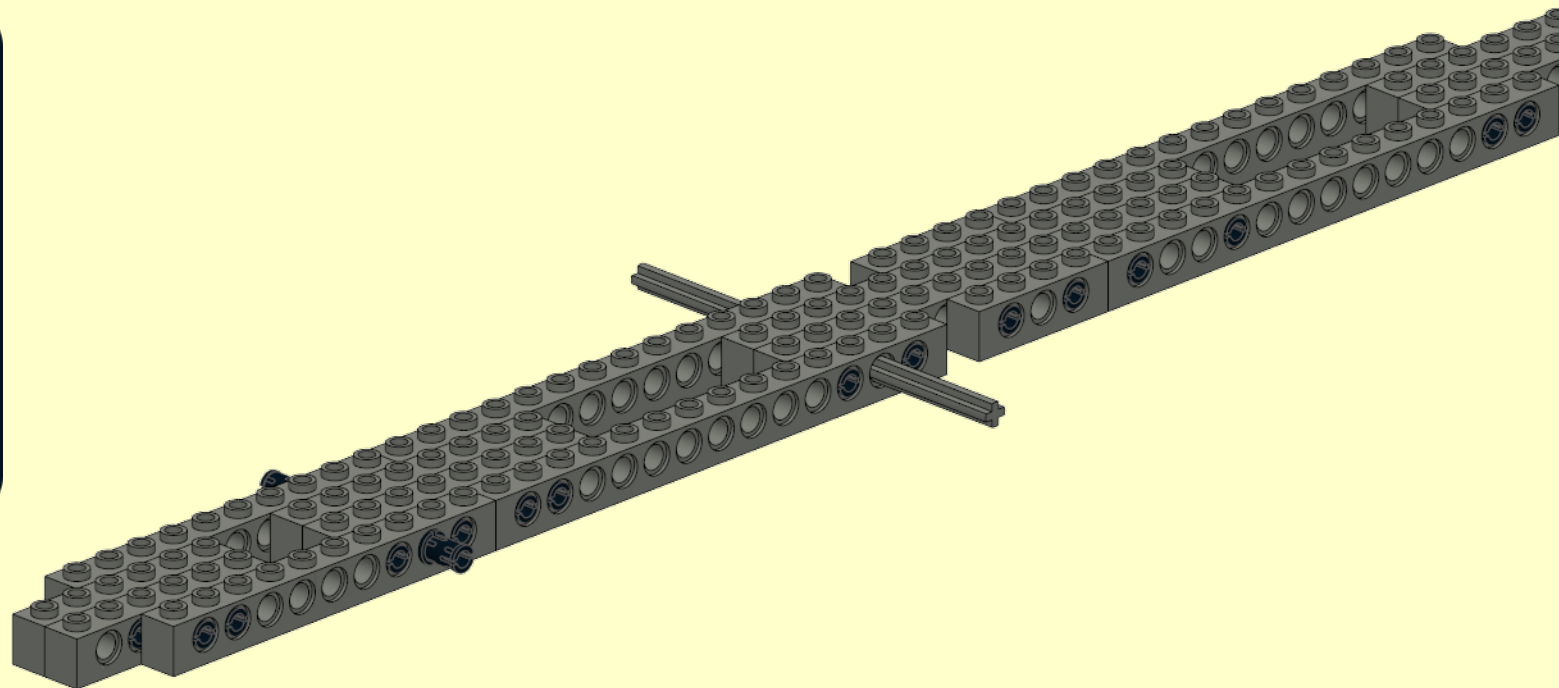
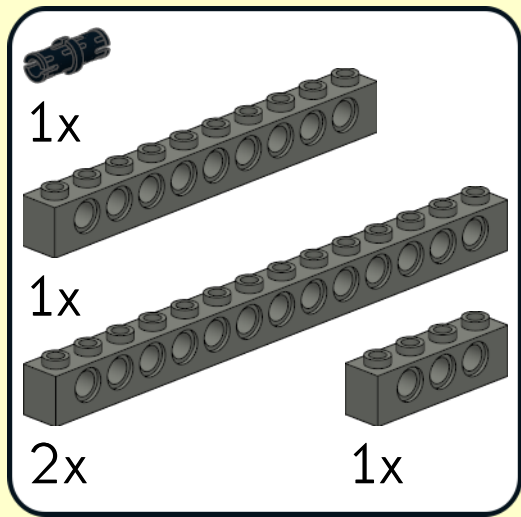
2



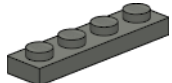
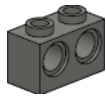
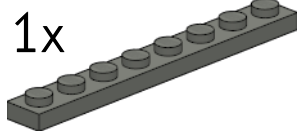
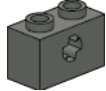

3

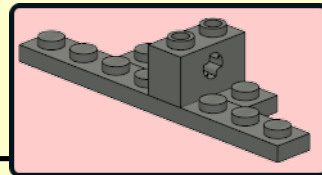
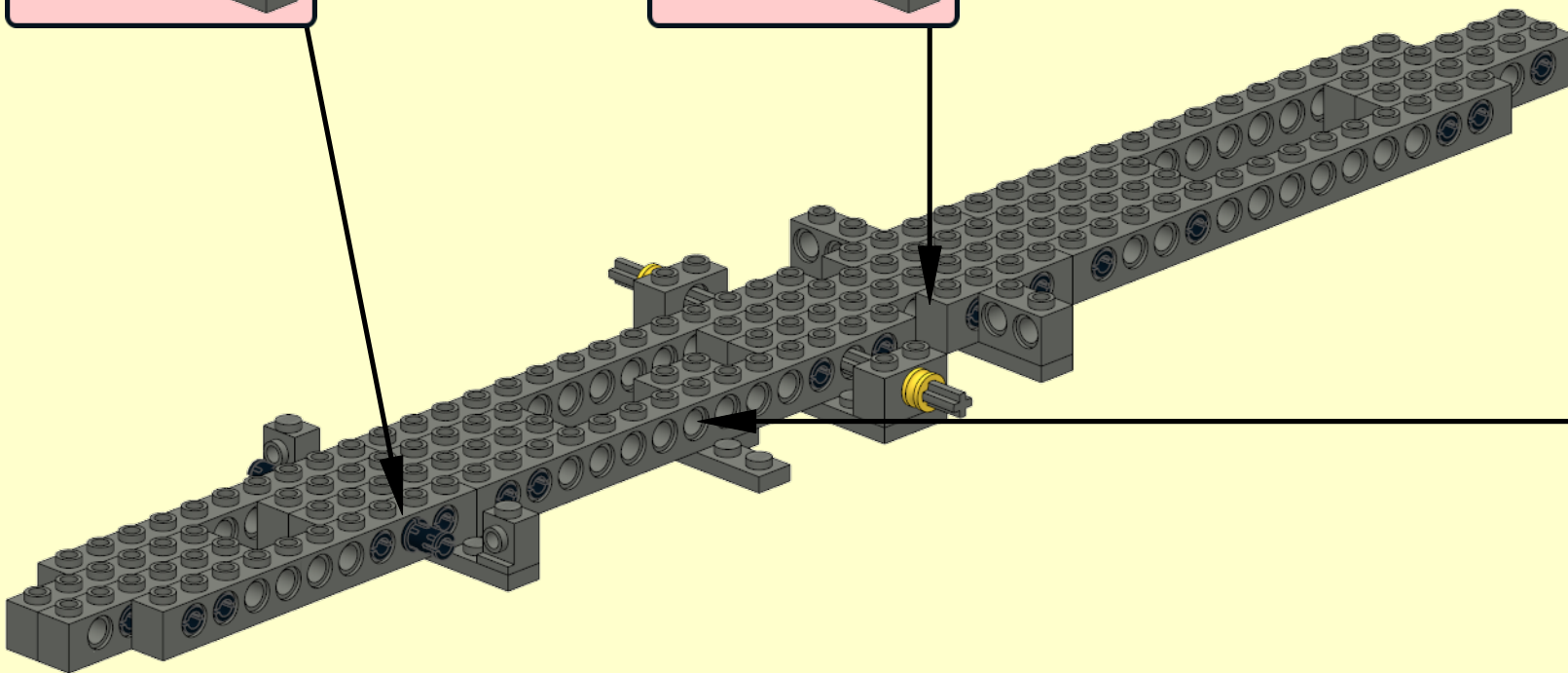
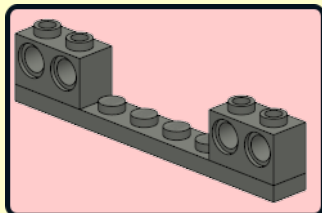
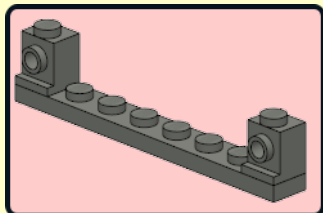




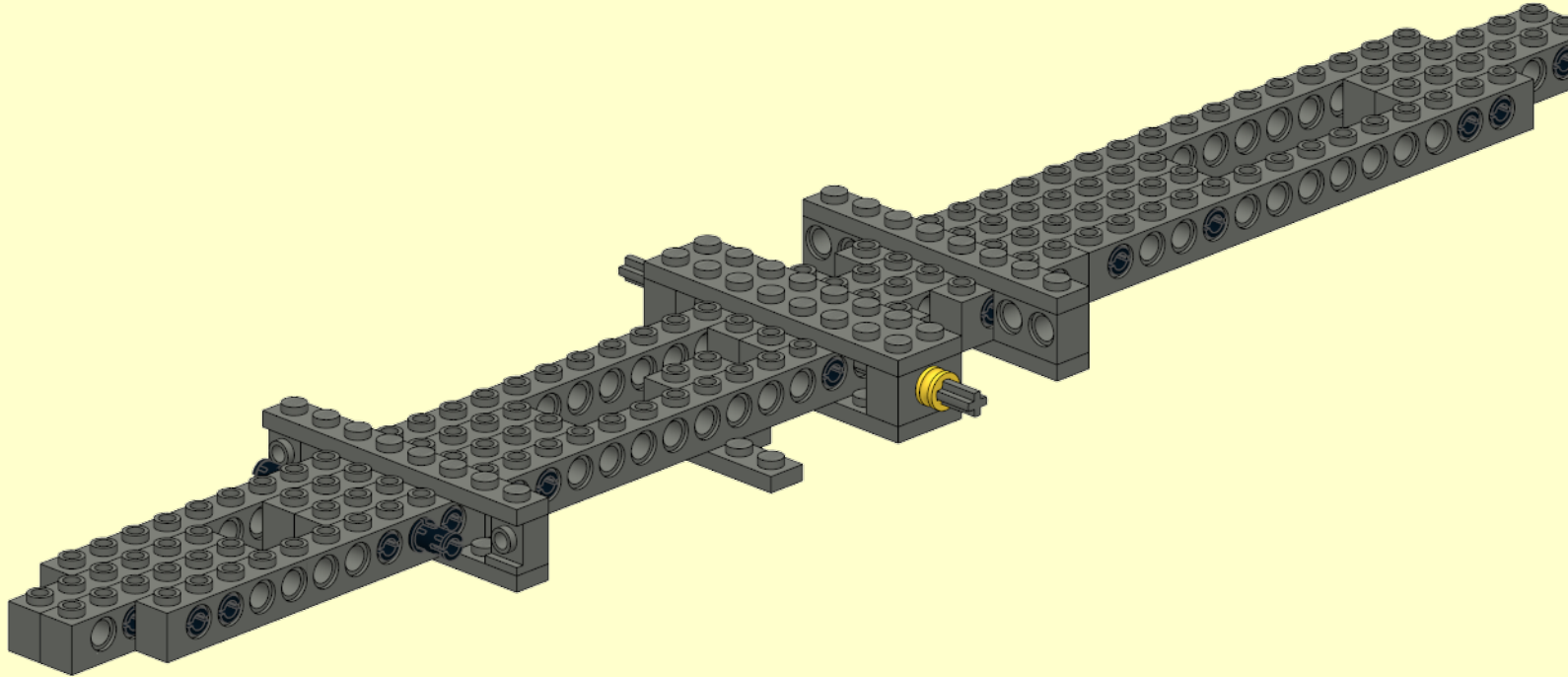
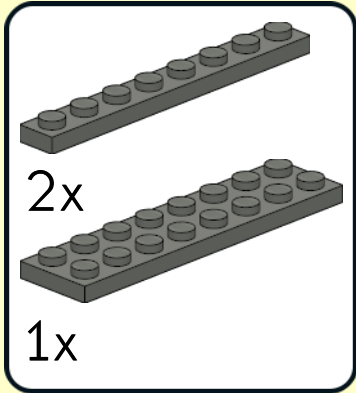


8

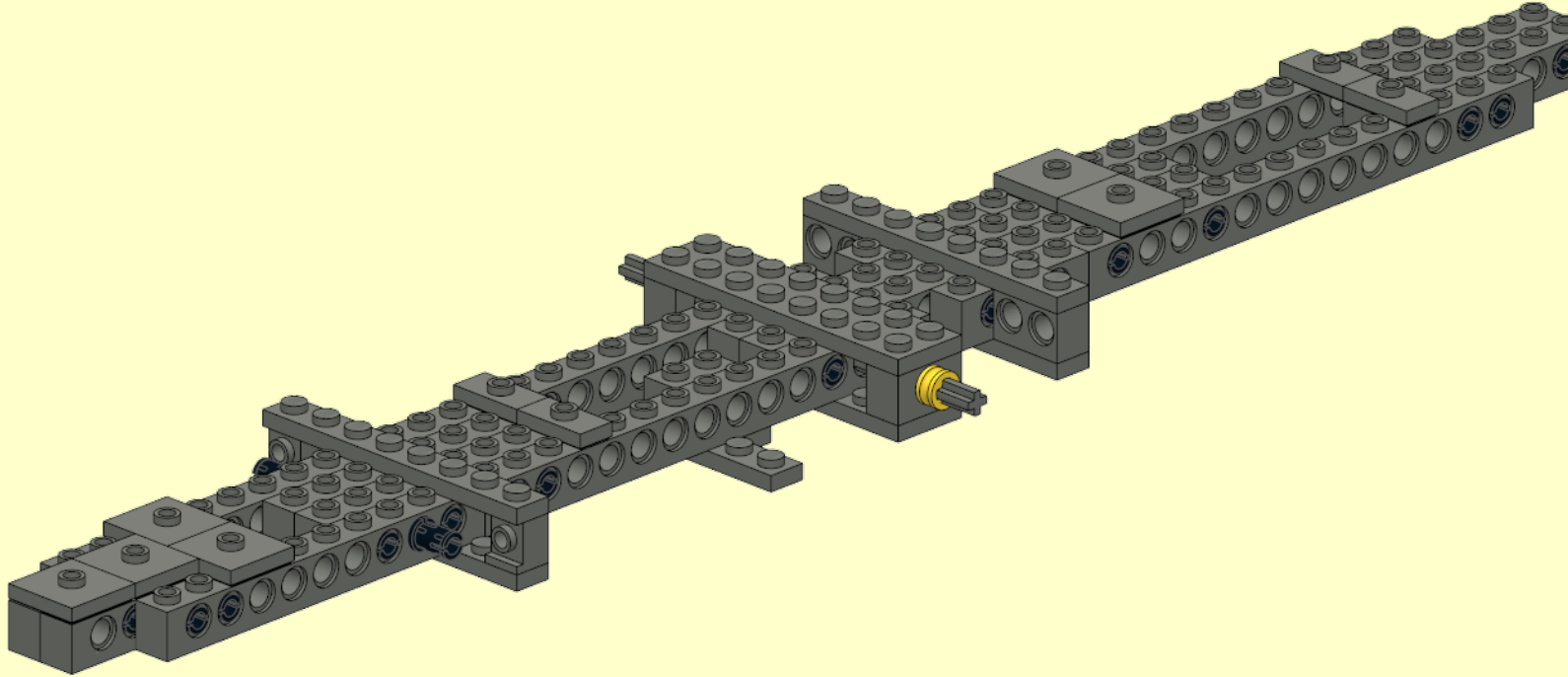
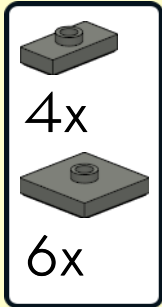
- 1x 
- 2x 
- 3x 
- 1x 
- 2x 



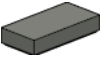
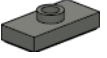
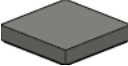
9

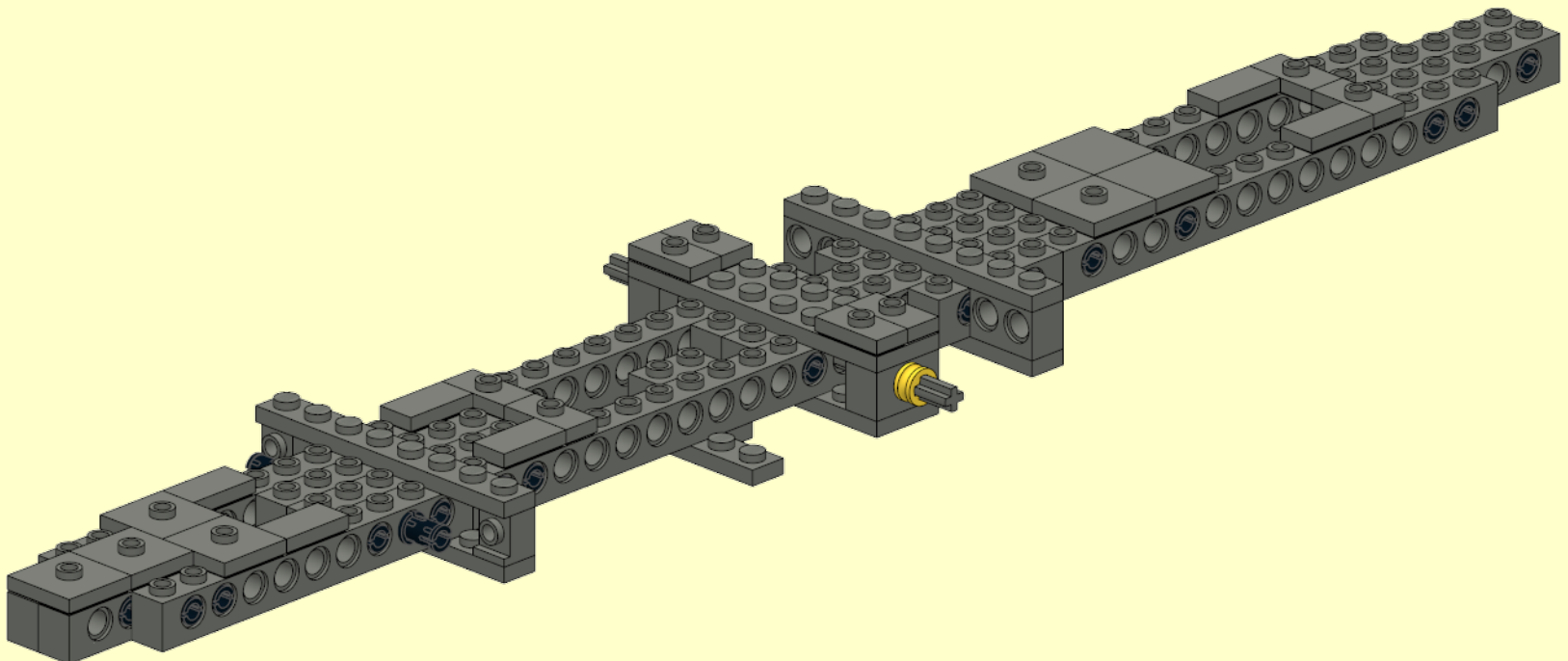


10

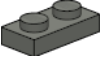
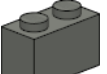



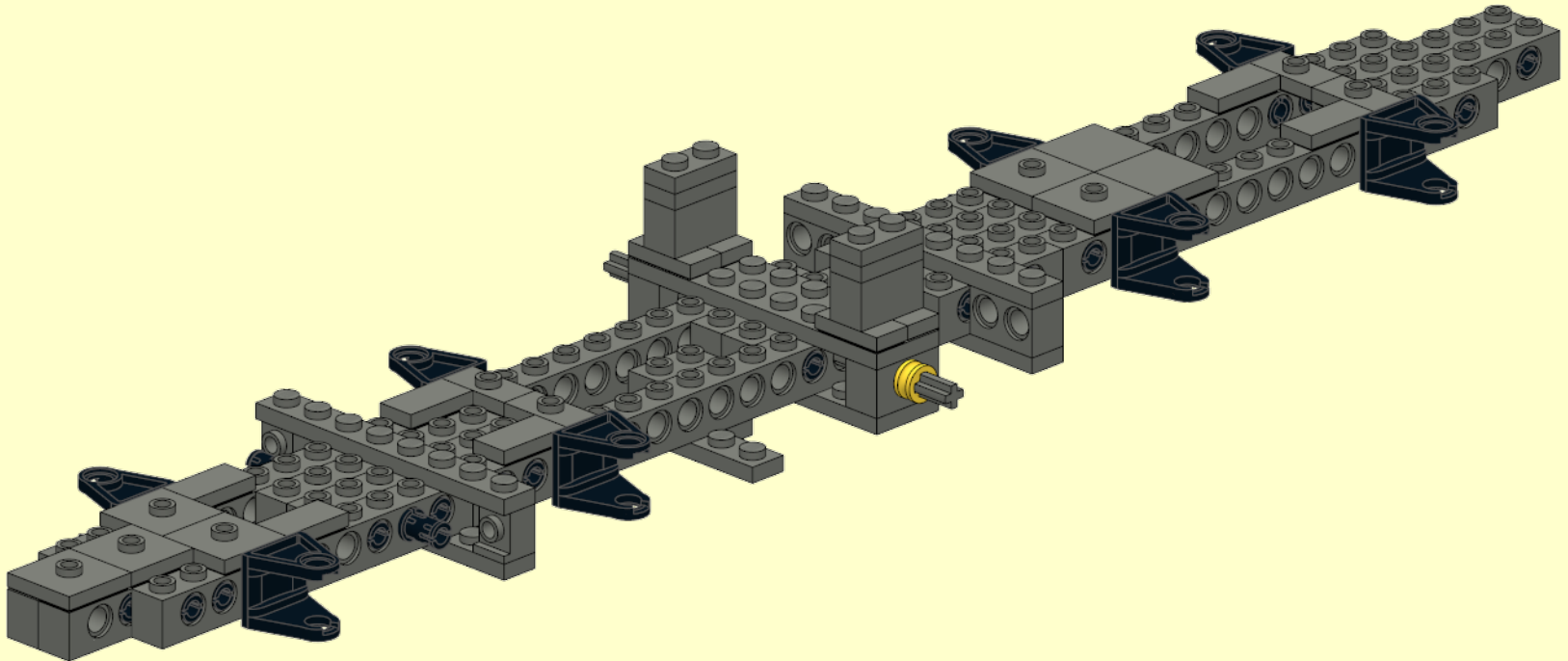
11

-  6x
-  4x
-  2x

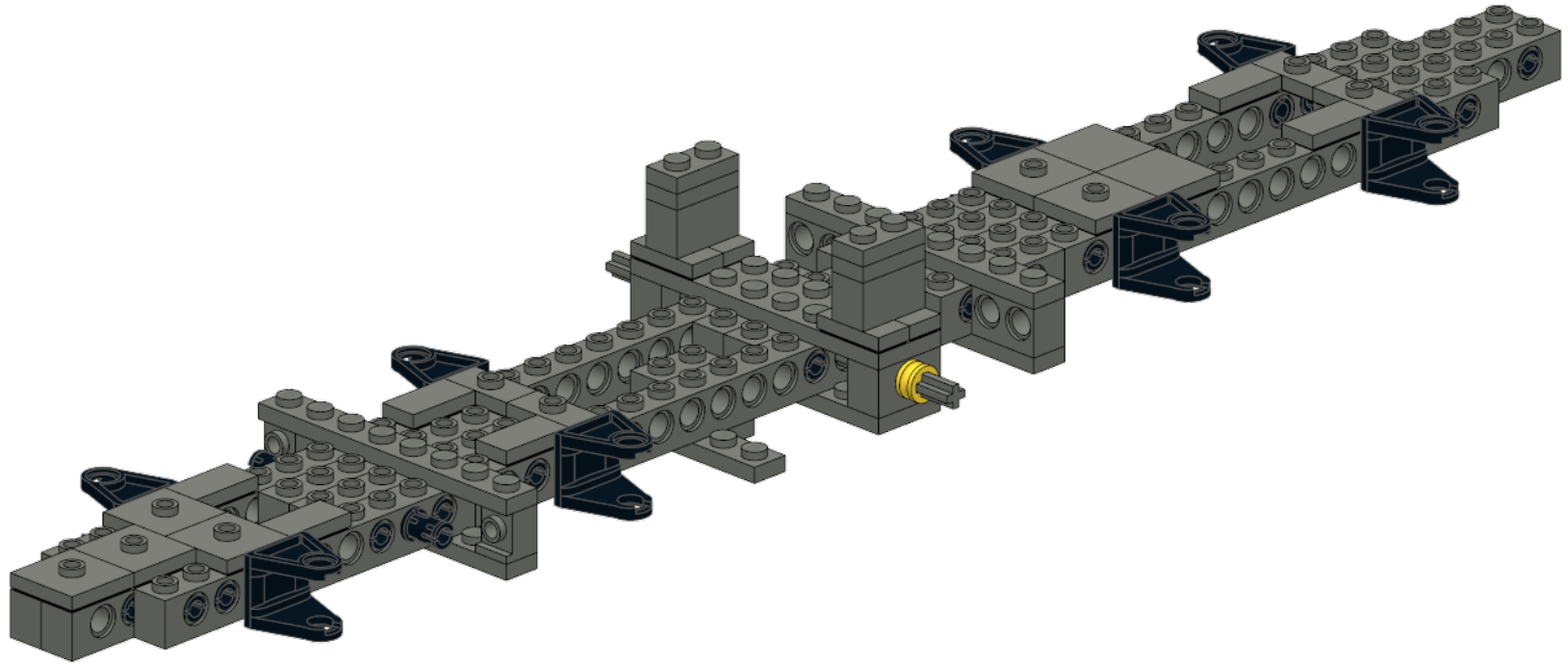


12

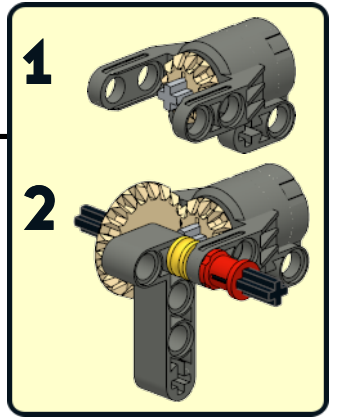
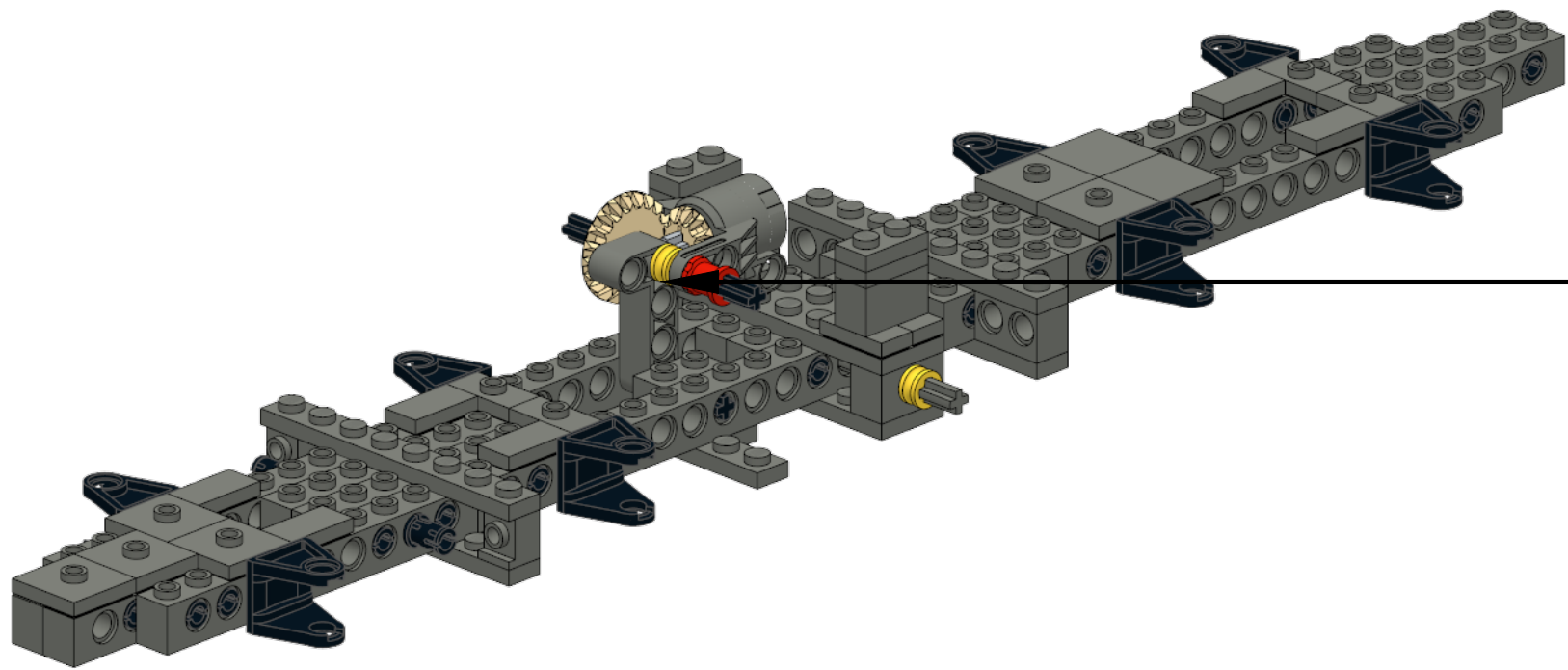
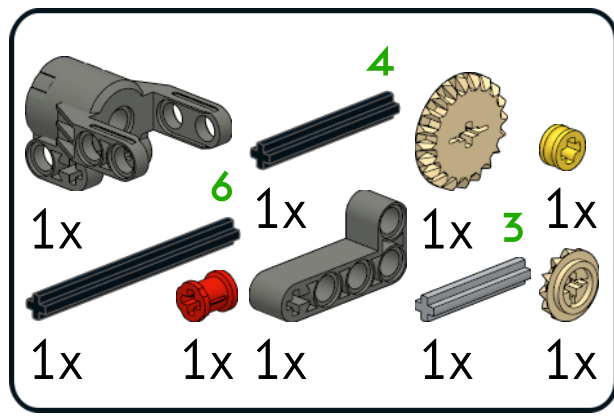
-  4x
-  2x
-  8x



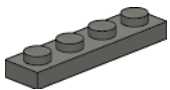
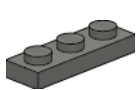
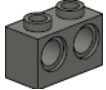
1

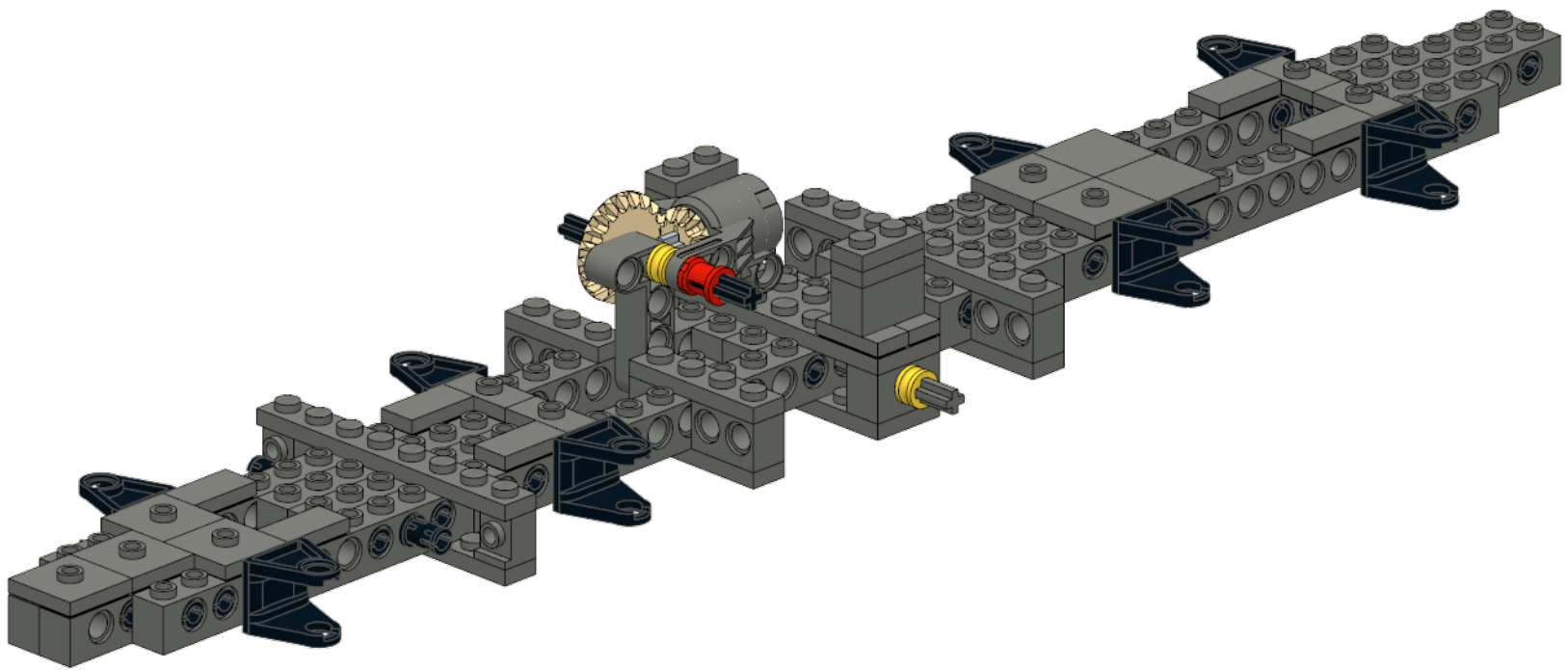


2

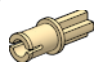

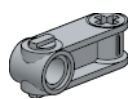



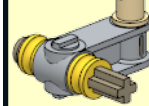
3

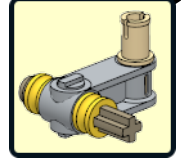
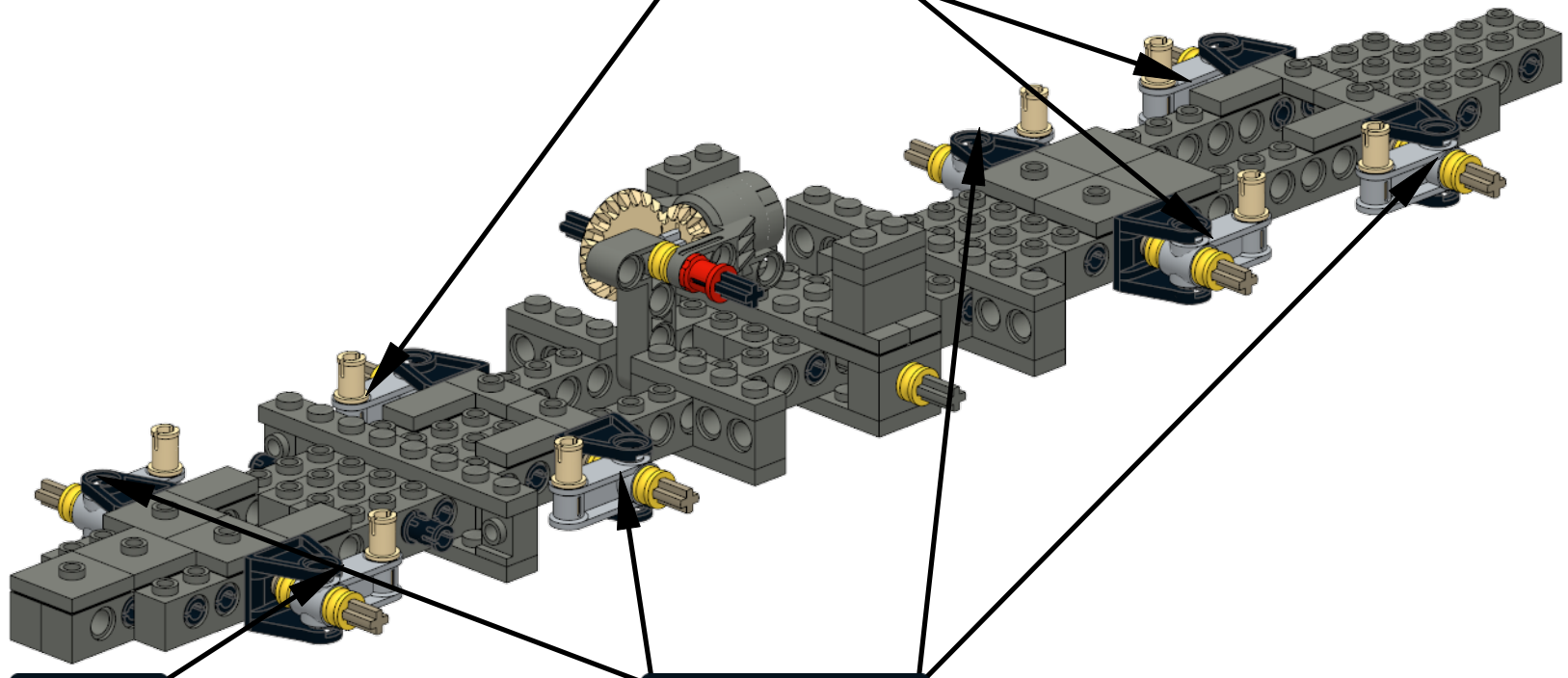
| | | |
|----------------------------------------------------------------------------------|----------------------------------------------------------------------------------|----------------------------------------------------------------------------------|
|  |  |  |
| 1x | 1x | 2x |

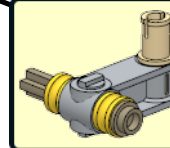


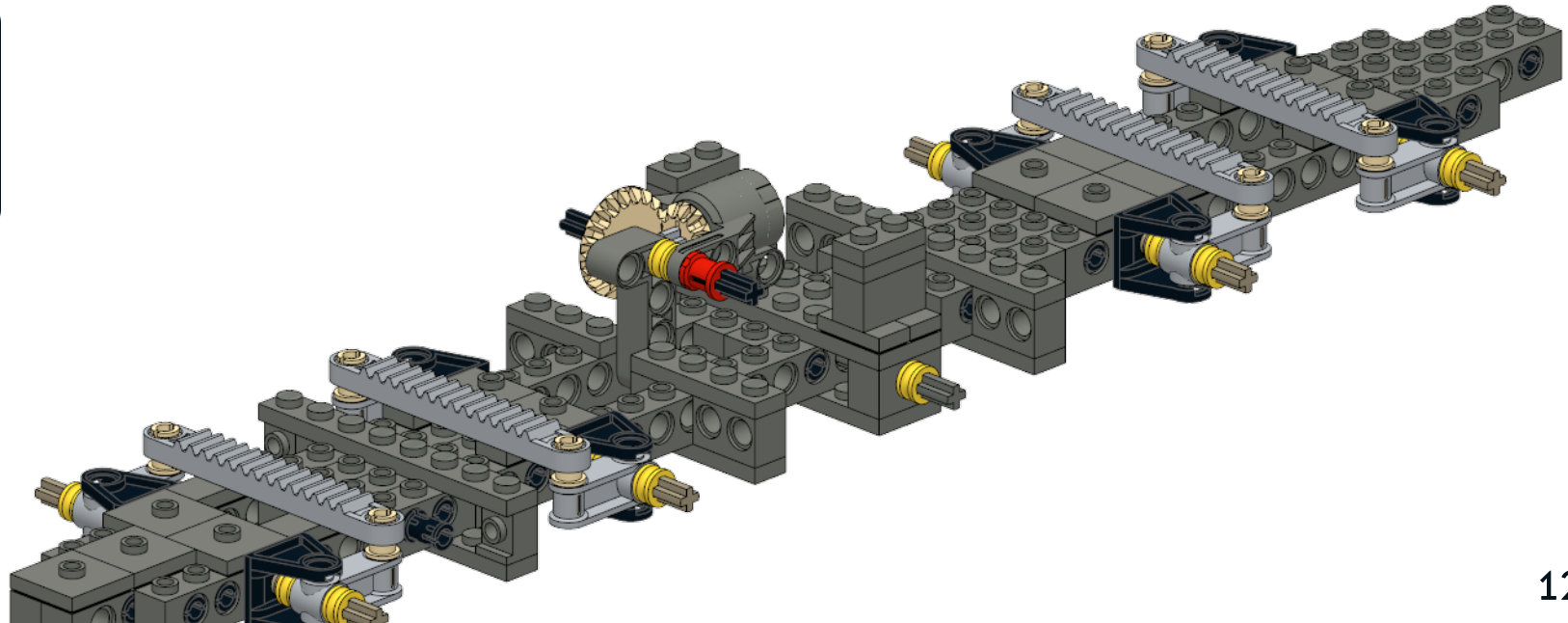
4

-  8x
-  16x
-  8x 3
-  8x

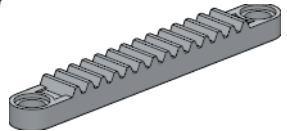
 x3



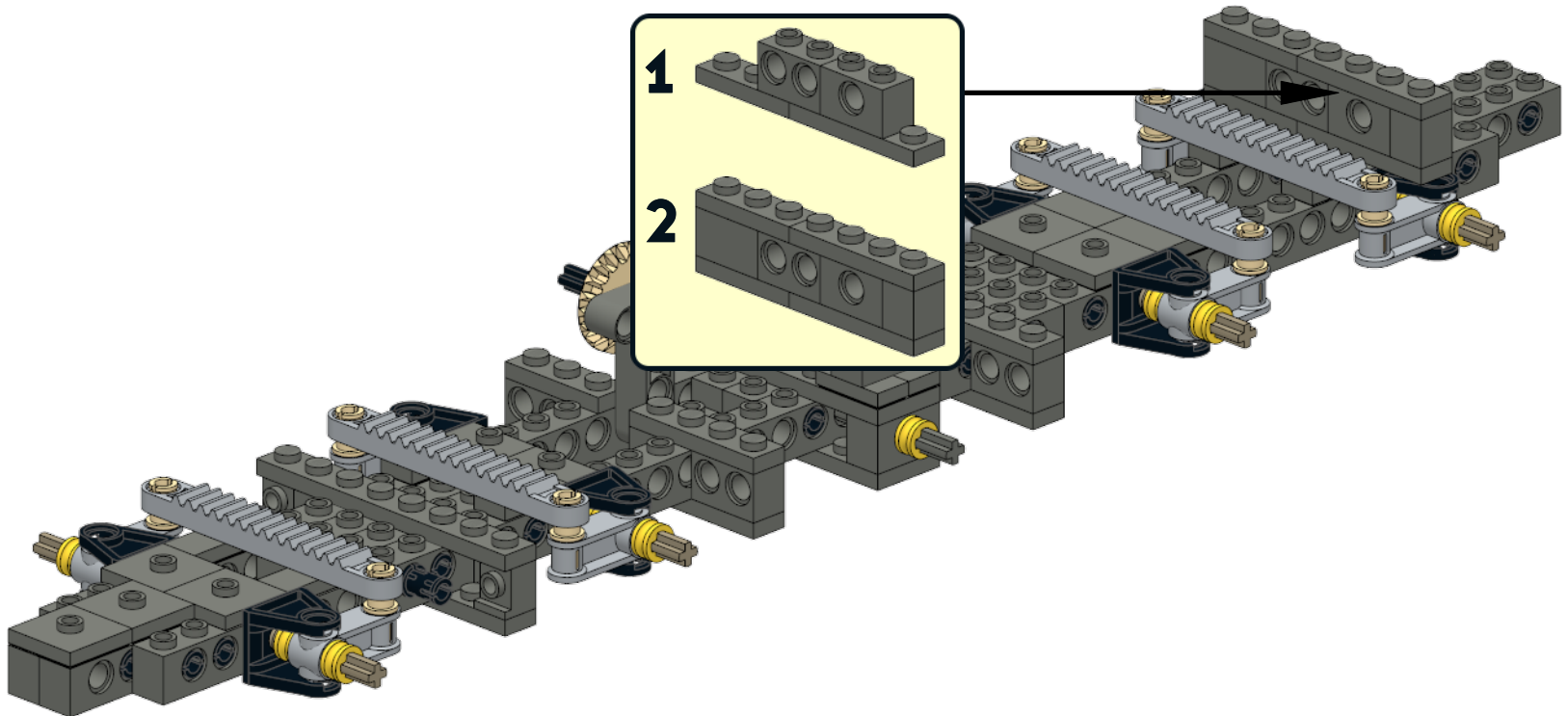
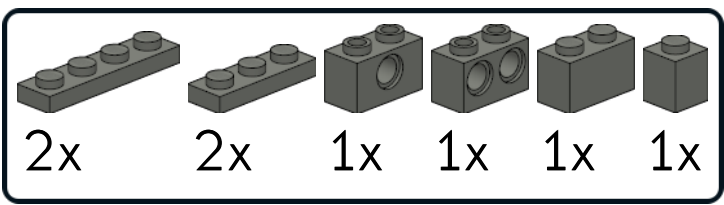
 x4



5

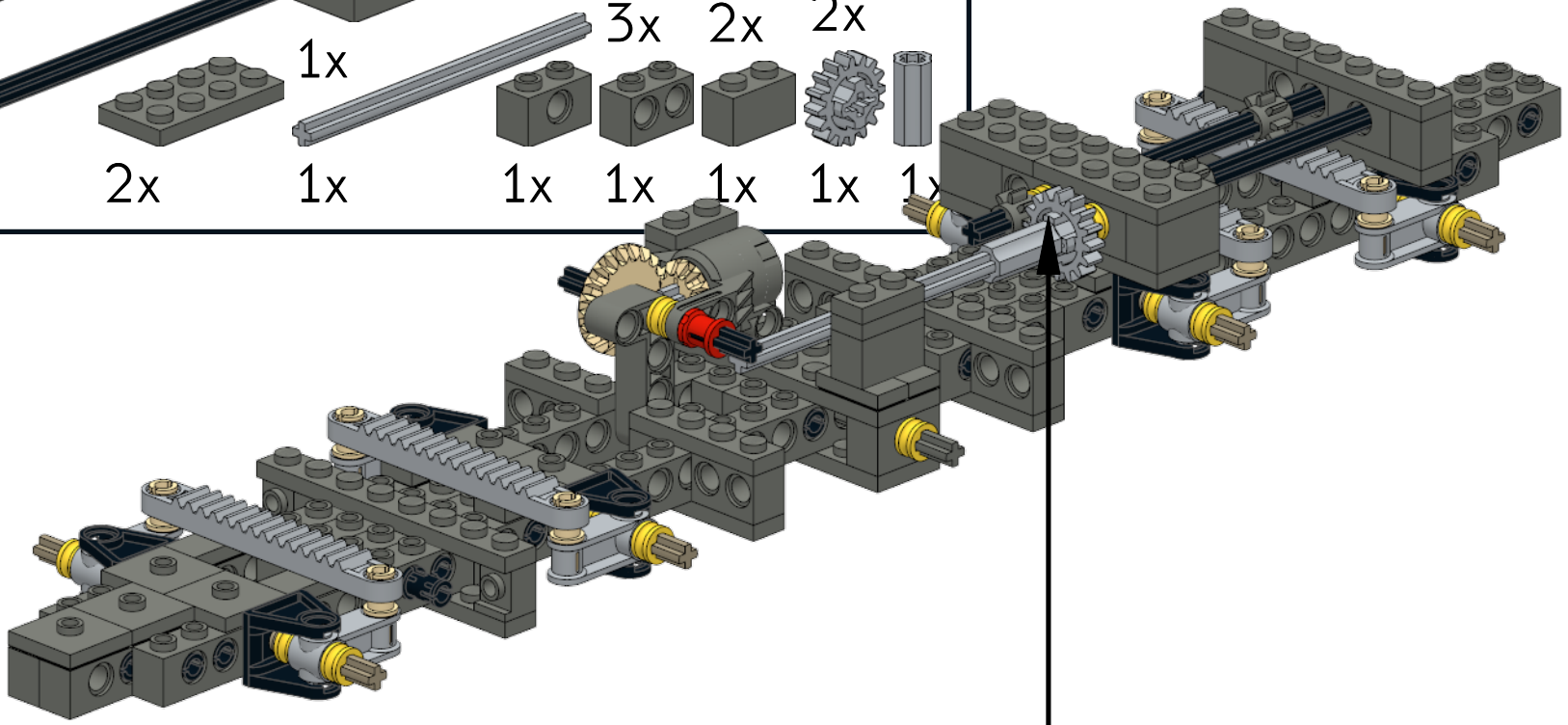
-  4x

6



7

- 2x
- 2x
- 2x
- 1x
- 1x
- 1x
- 1x
- 1x
- 3x
- 1x
- 1x
- 1x
- 2x
- 1x
- 2x
- 1x
- 1x
- 1x



1

2

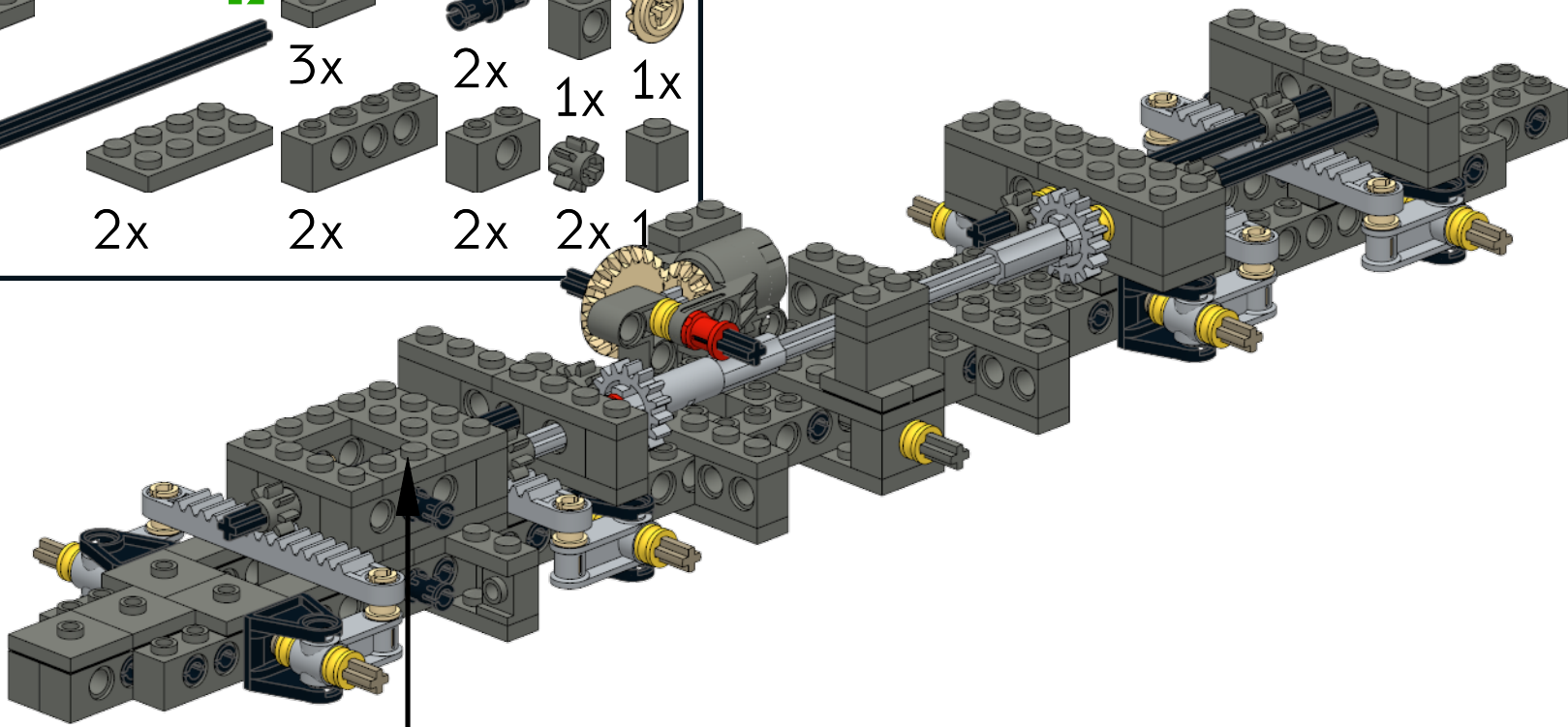
3

4

5

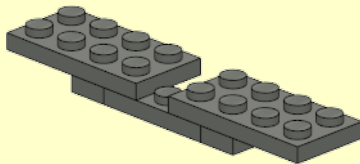
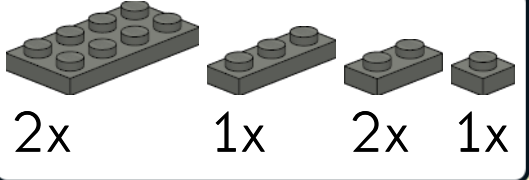
9

| | | | | | | | | | | | | | | | | | | |
|--|----|--|----|--|----|--|----|--|----|--|----|--|----|--|----|--|----|--|
| | 6x | | 12 | | 3x | | 2x | | 1x | | 2x | | 1x | | 1x | | 1x | |
|--|----|--|----|--|----|--|----|--|----|--|----|--|----|--|----|--|----|--|

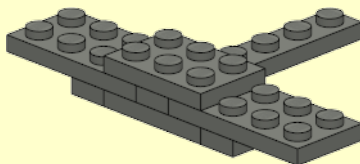
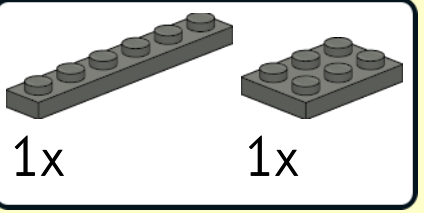


| | |
|----------|--|
| 1 | |
| 2 | |
| 3 | |
| 4 | |
| 5 | |
| 6 | |

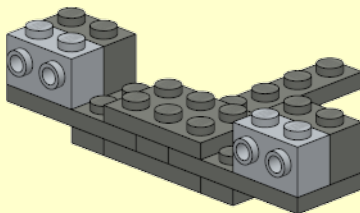
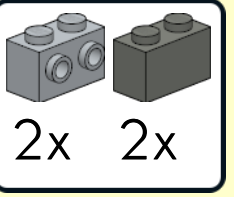
1



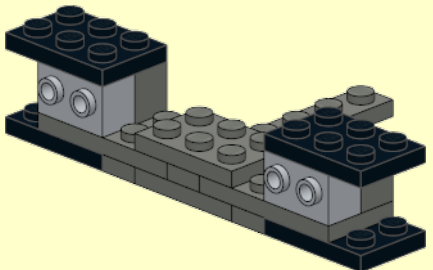
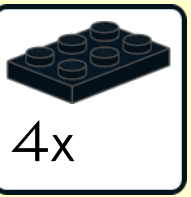
2



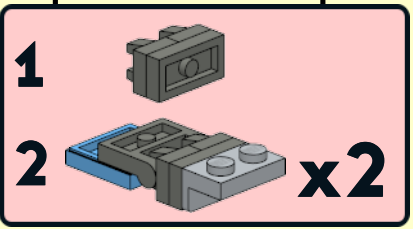
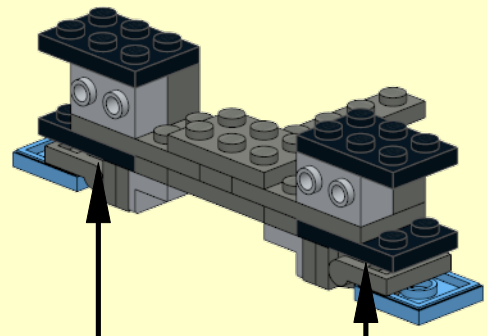
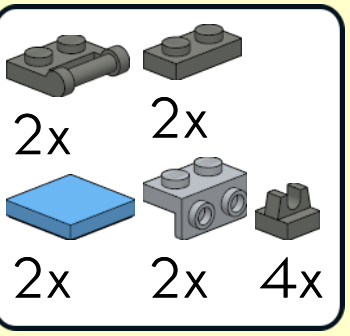
3



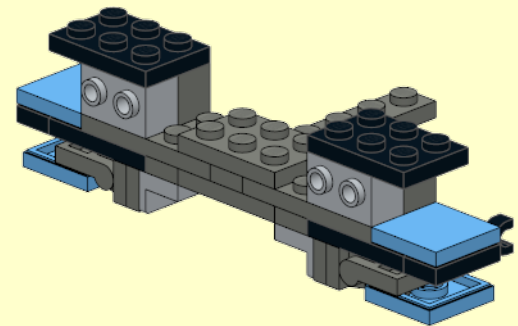
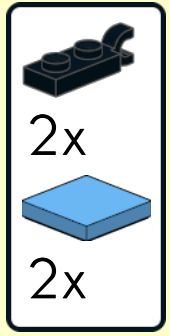
4



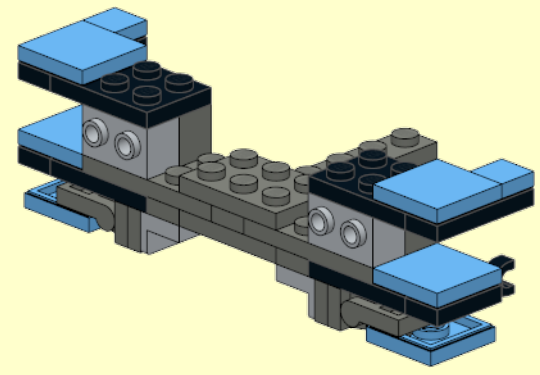
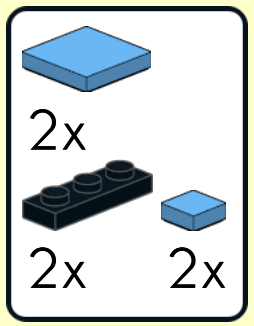
5



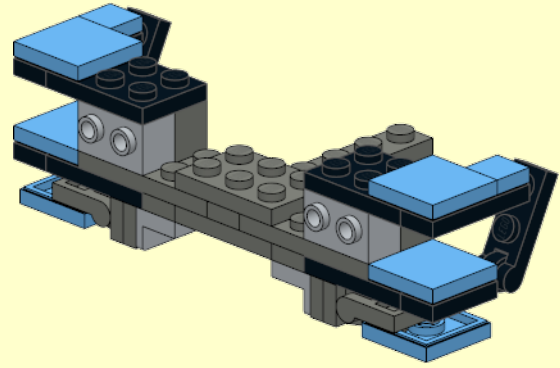
6



7

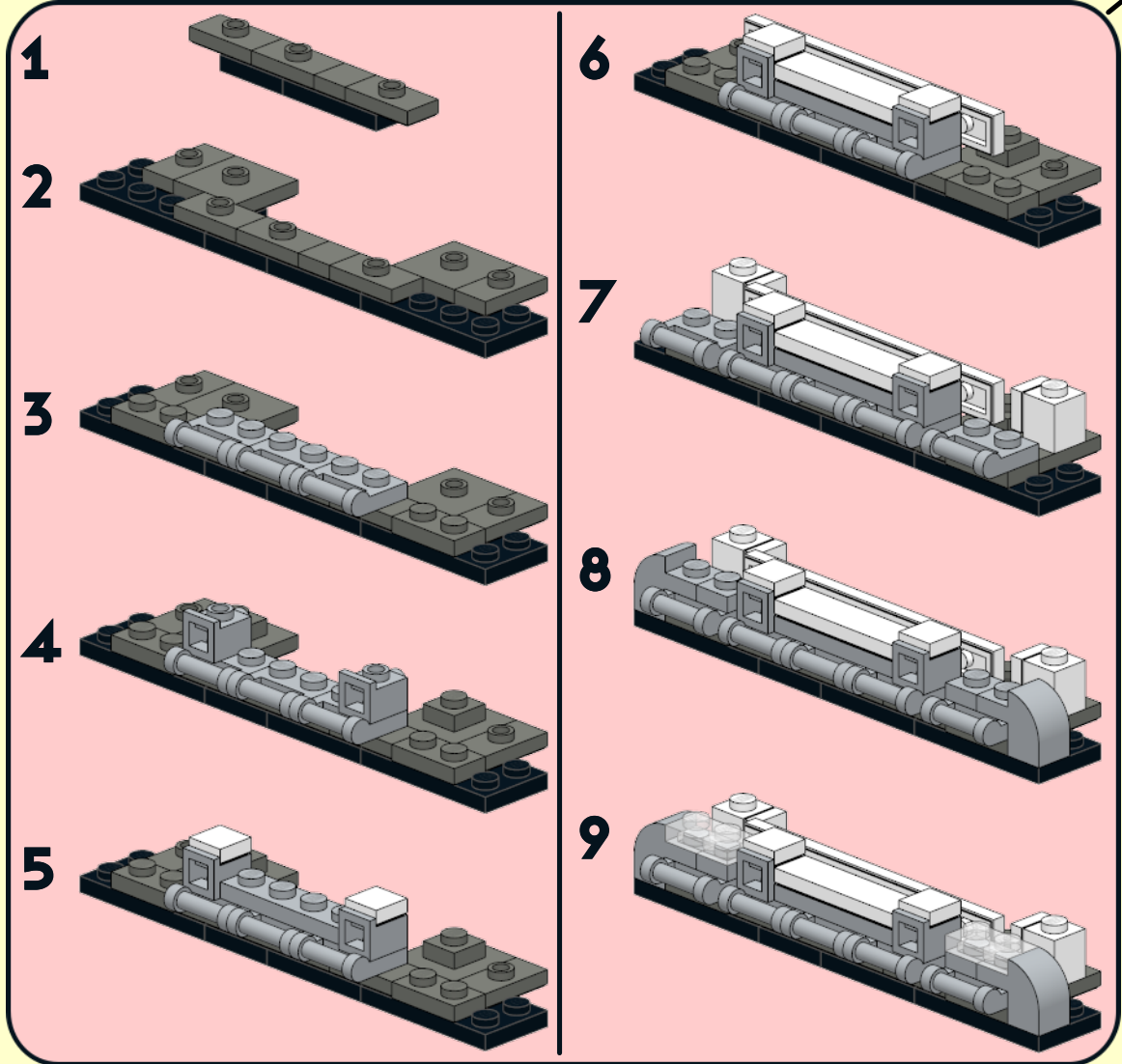
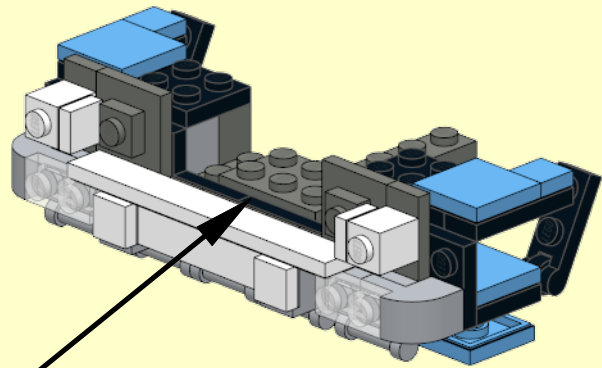


8

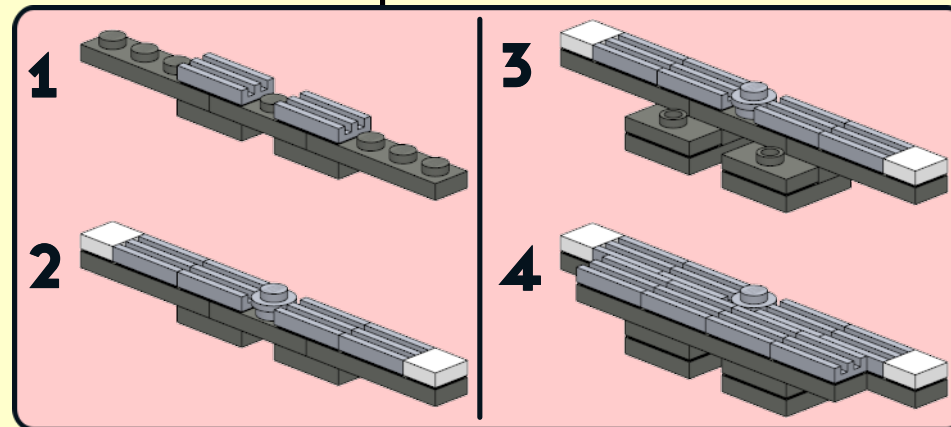
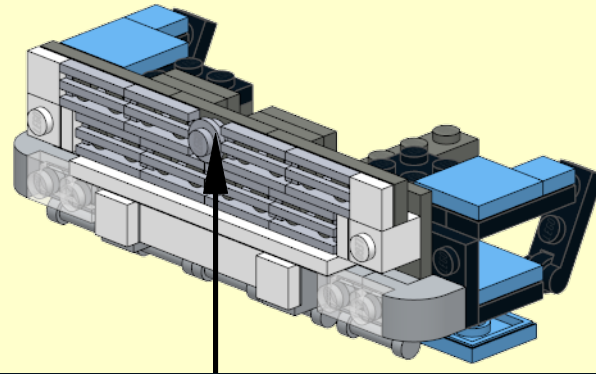
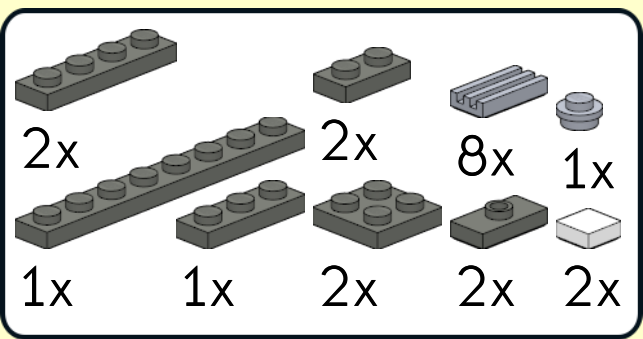


9

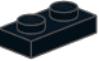



- 2x [Black 1x6 Technic Brick]
- 1x [White 1x6 Technic Brick]
- 1x [White 1x6 Technic Brick]
- 1x [Black 1x2 Technic Brick]
- 1x [Grey 1x4 Technic Brick]
- 5x [Grey 1x2 Technic Brick]
- 2x [Grey 1x2 Technic Brick]
- 2x [Grey 1x2 Technic Brick]
- 1x [Black 1x2 Technic Brick]
- 2x [White 1x2 Technic Brick]
- 2x [Grey 1x2 Technic Brick]
- 4x [White 1x2 Technic Brick]
- 5x [Grey 1x2 Technic Brick]
- 2x [Grey 1x2 Technic Brick]
- 2x [Grey 1x2 Technic Brick]
- 2x [Grey 1x2 Technic Brick]
- 2x [Grey 1x2 Technic Brick]
- 1x [Grey 1x2 Technic Brick]
- 2x [Grey 1x2 Technic Brick]
- 2x [Grey 1x2 Technic Brick]
- 1x [Grey 1x2 Technic Brick]

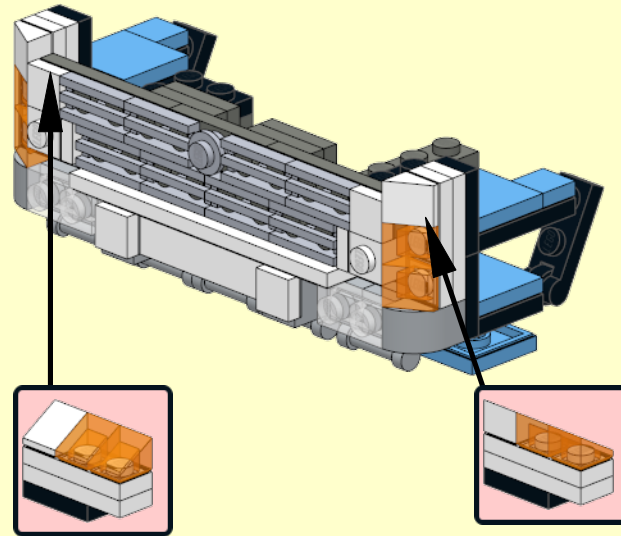


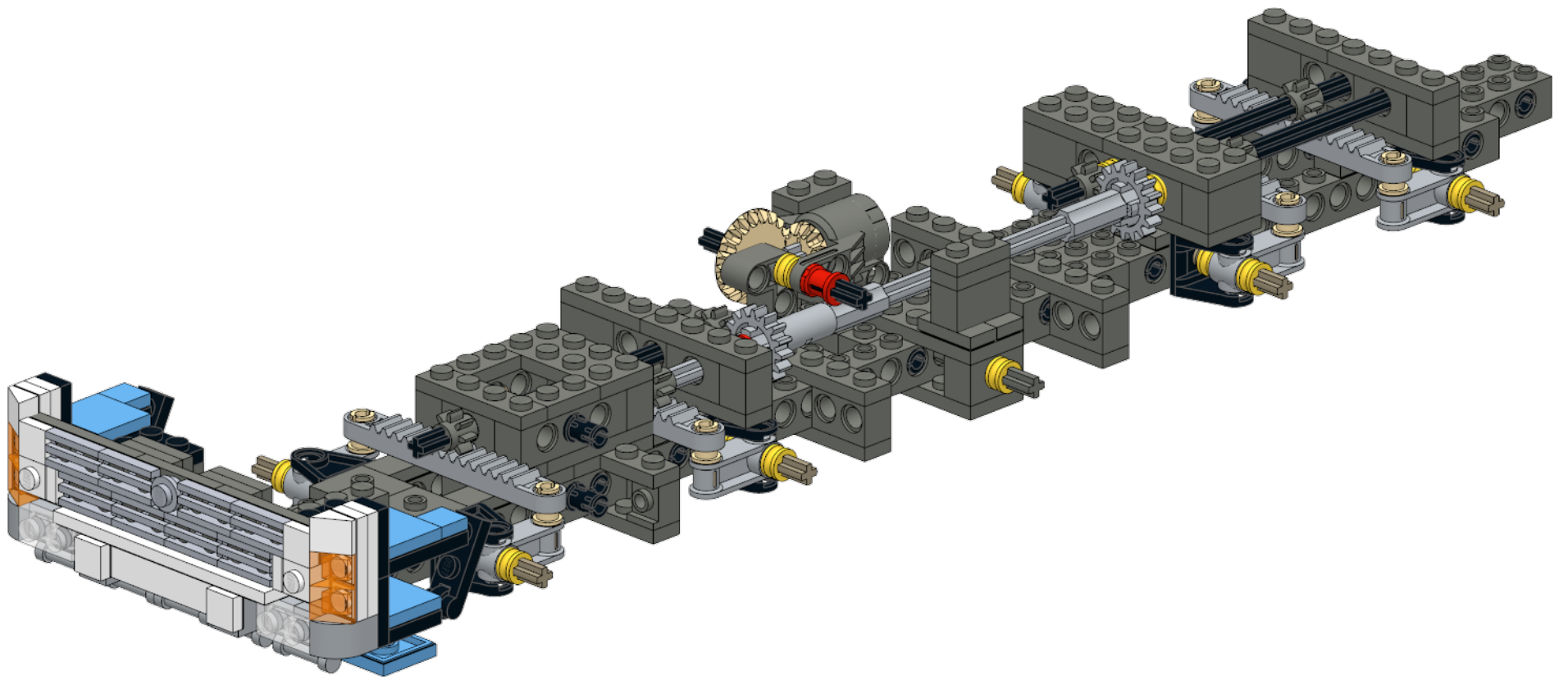
10



11

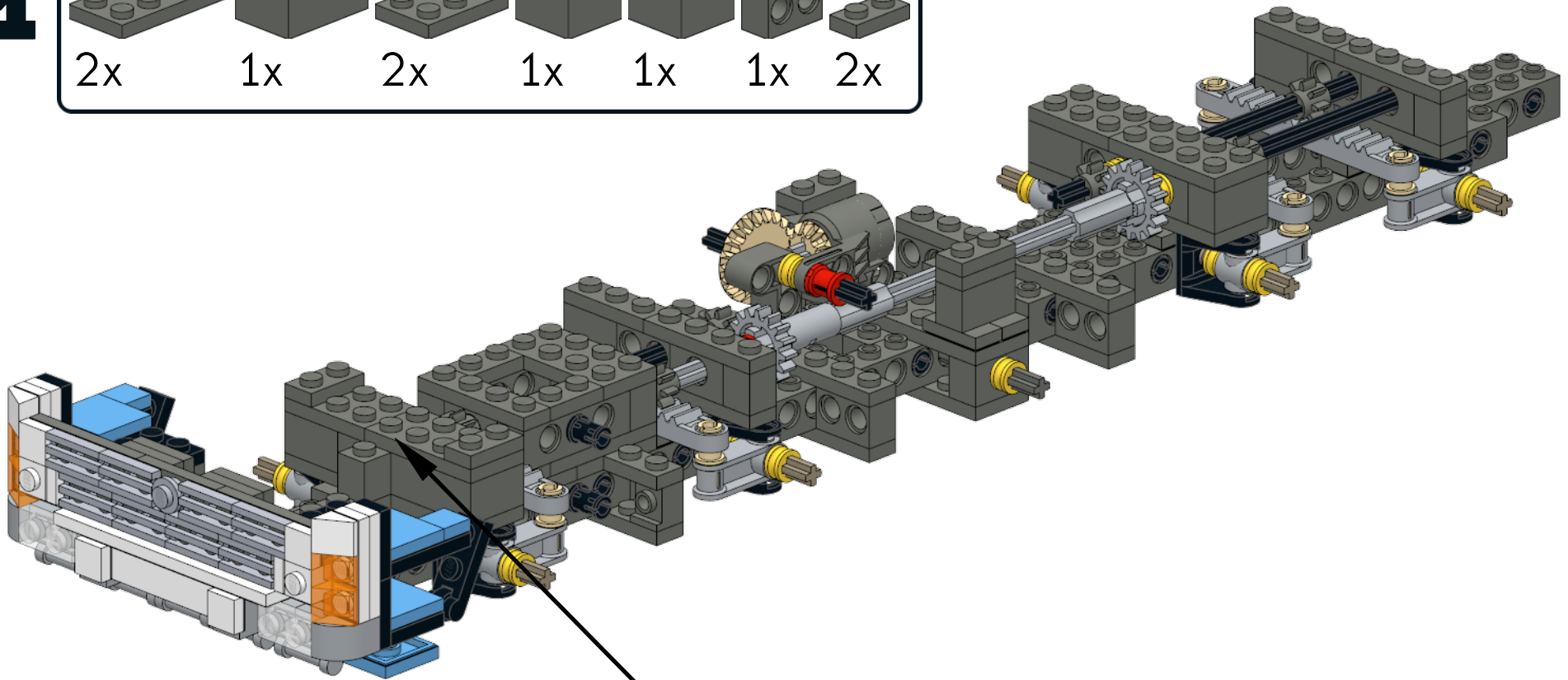
| | |
|-----------------------------------------------------------------------------------|-----------------------------------------------------------------------------------|
|  |  |
| 2x | 2x |
|  |  |
| 4x | 4x |






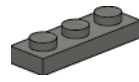














11

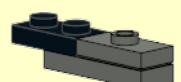
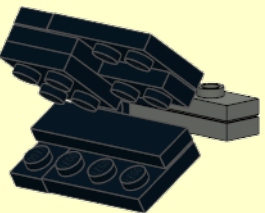
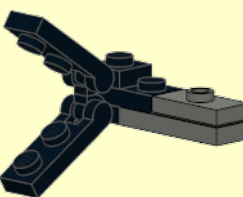
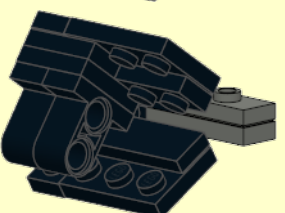
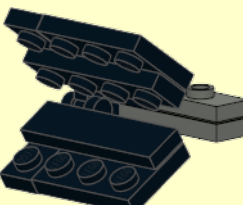
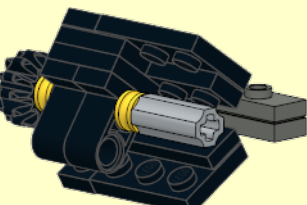
- 2x
- 1x
- 2x
- 1x
- 1x
- 1x
- 2x



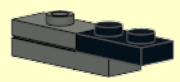
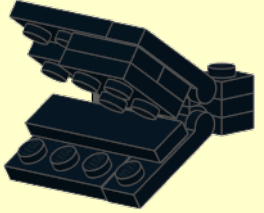
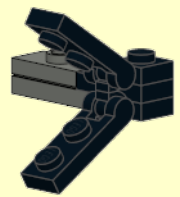
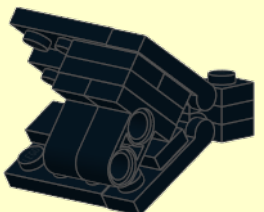
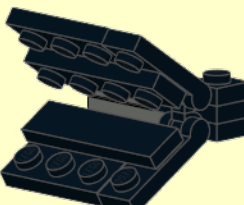
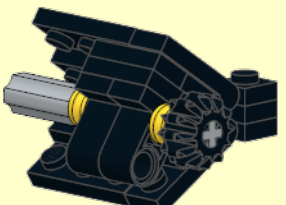
- 1
- 2
- 3

12

| | | | | |
|-----------------------------------------------------------------------------------|-----------------------------------------------------------------------------------|-----------------------------------------------------------------------------------|-----------------------------------------------------------------------------------|-----------------------------------------------------------------------------------|
|  |  |  |  |  |
| 4x | 2x |  | 2x | 2x |
|  |  |  |  |  |
| 2x | 5 2x | 4x | 2x | 4x |
|  |  |  |  |  |
| 2x | 2x | 4x | 4x | 4x |

| | | | |
|----------|-------------------------------------------------------------------------------------|----------|-------------------------------------------------------------------------------------|
| 1 |  | 4 |  |
| 2 |  | 5 |  |
| 3 |  | 6 |  |

The main assembly diagram shows a complex grey Technic structure. The sub-assembly is being attached to the right side. Two black arrows point from the sub-assembly diagrams above to the specific connection points on the main model: one arrow points to the top of the sub-assembly, and the other points to the bottom.

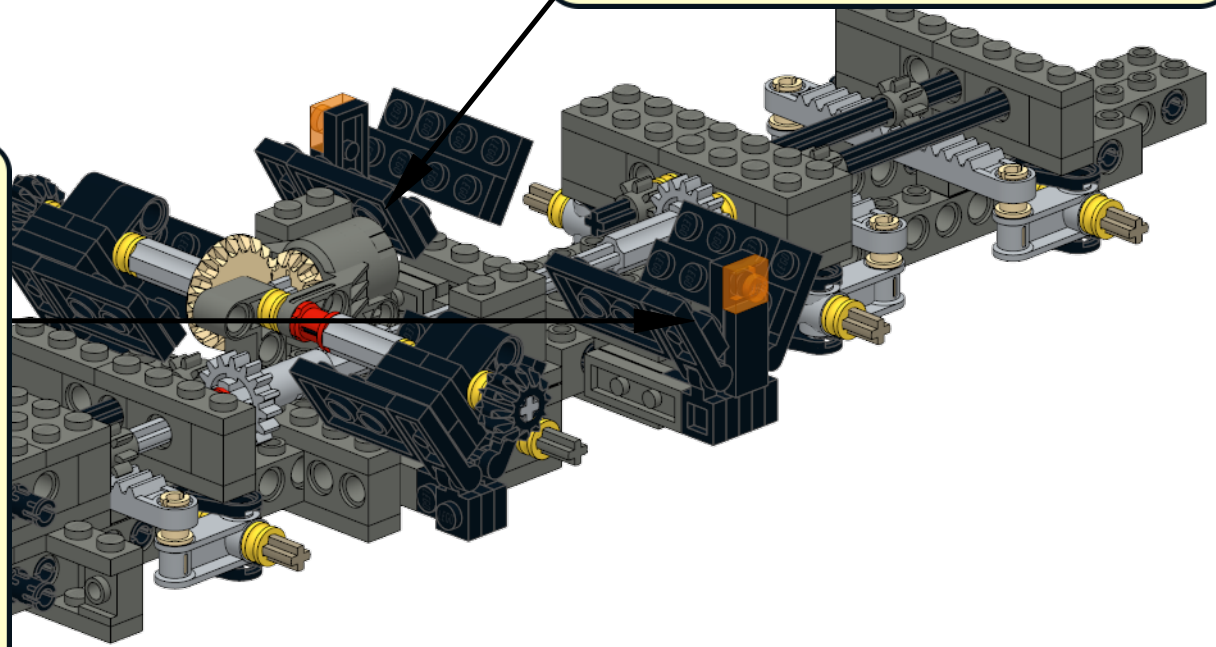
| | | | |
|----------|---------------------------------------------------------------------------------------|----------|---------------------------------------------------------------------------------------|
| 1 |  | 4 |  |
| 2 |  | 5 |  |
| 3 |  | 6 |  |

13

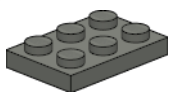
| | | | | | |
|----|----|----|----|----|----|
| | | | | | |
| 4x | 4x | 2x | 2x | 2x | |
| | | | | | |
| 4x | 2x | 4x | 2x | 4x | 2x |

| | |
|--------------|--------------|
| 1 | 4 |
| 2 | 5 |
| 3 | 6 |

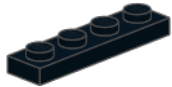
| | |
|--------------|--------------|
| 1 | 4 |
| 2 | 5 |
| 3 | 6 |



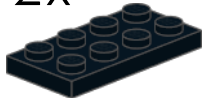
14



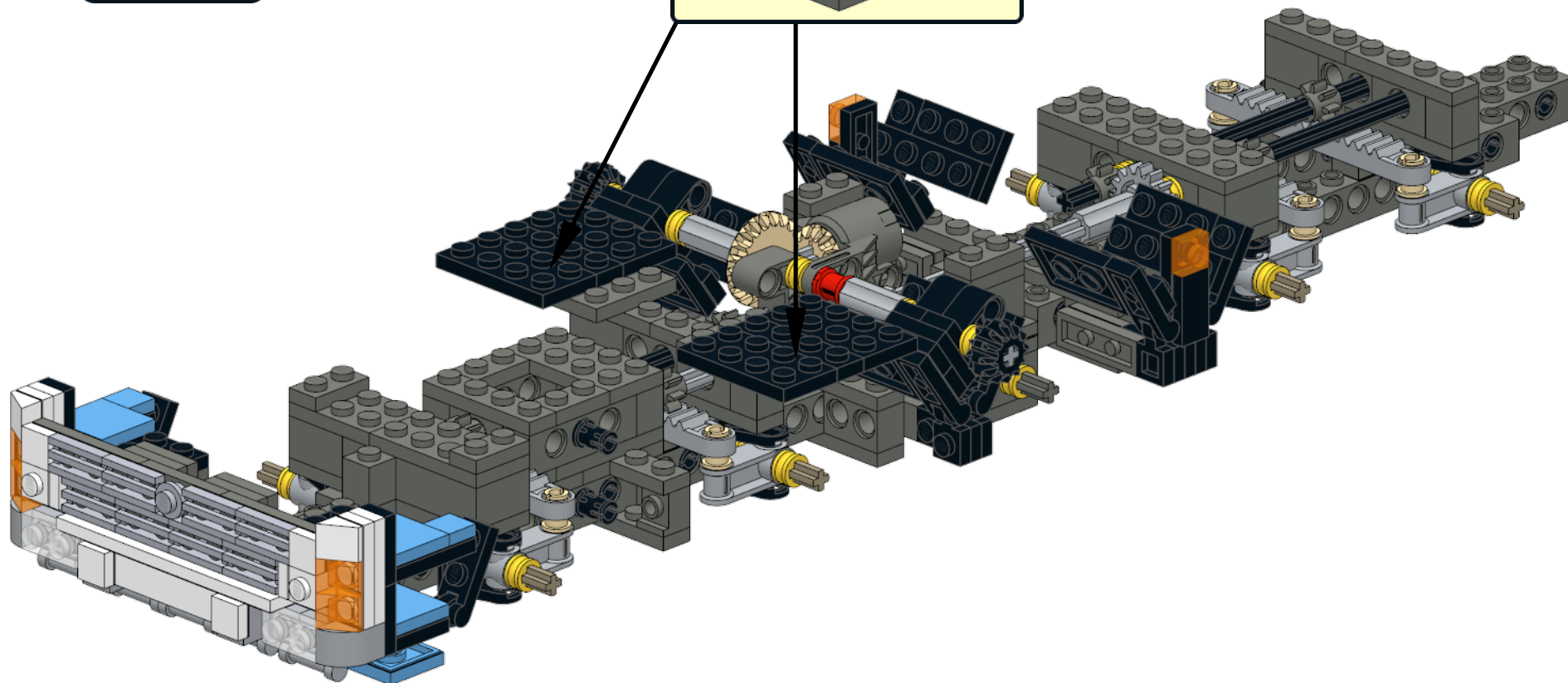
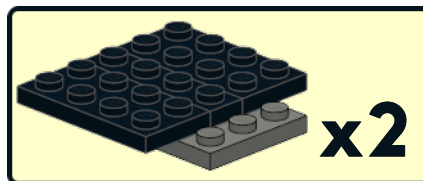
2x



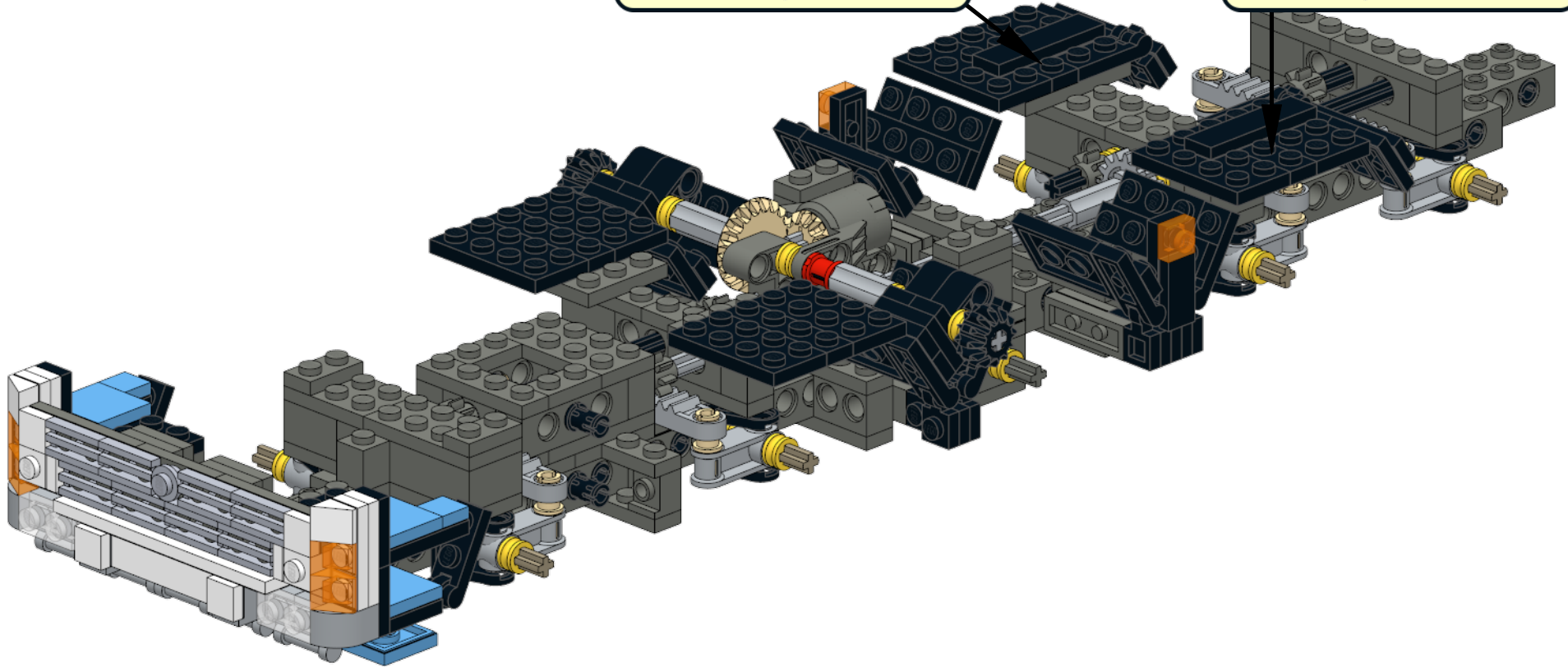
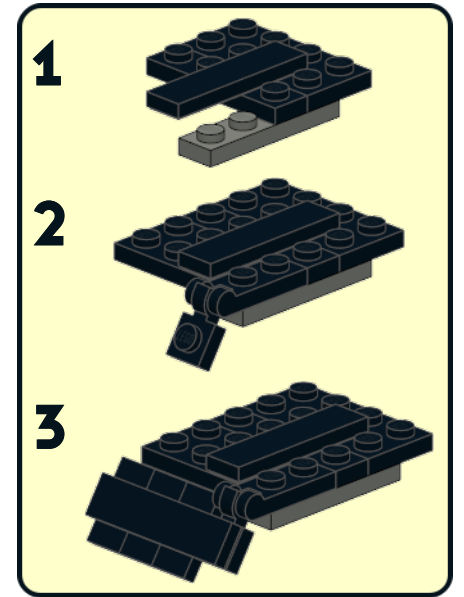
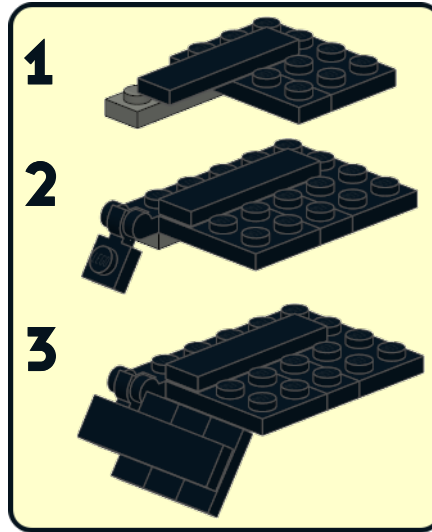
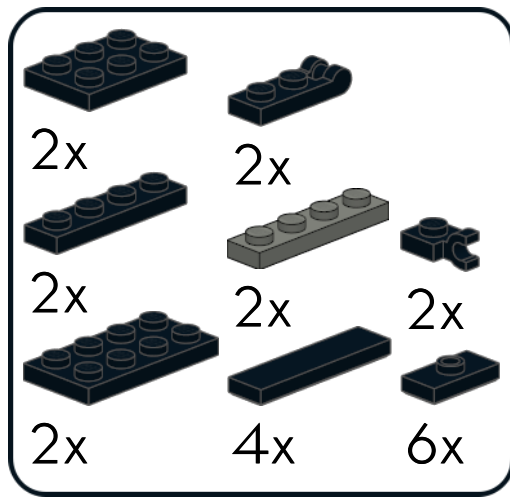
2x



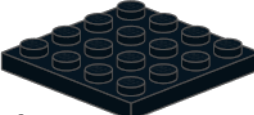
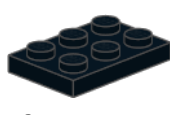
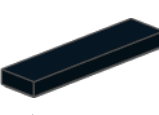
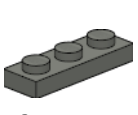

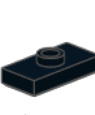

4x

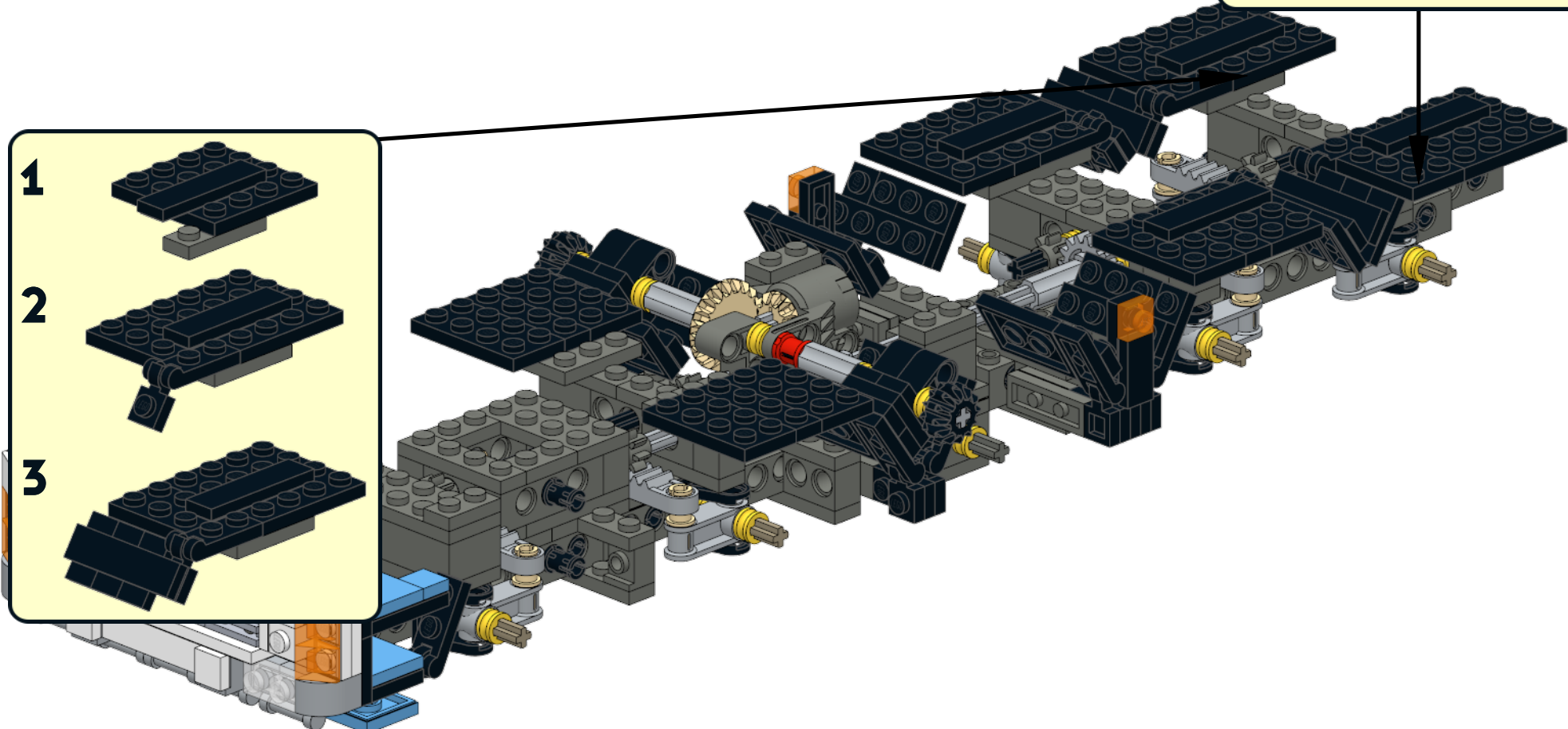
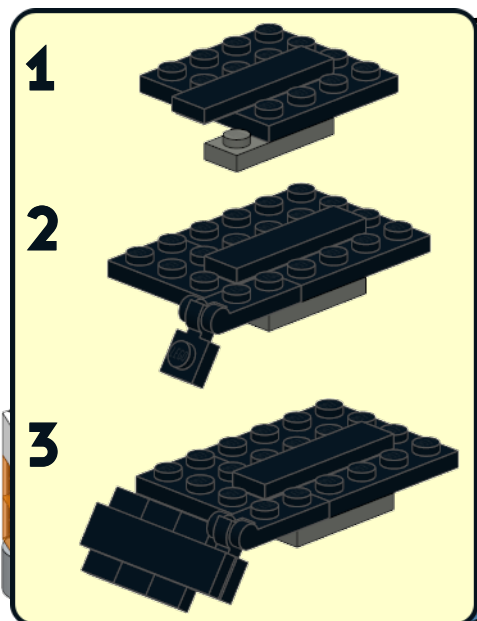
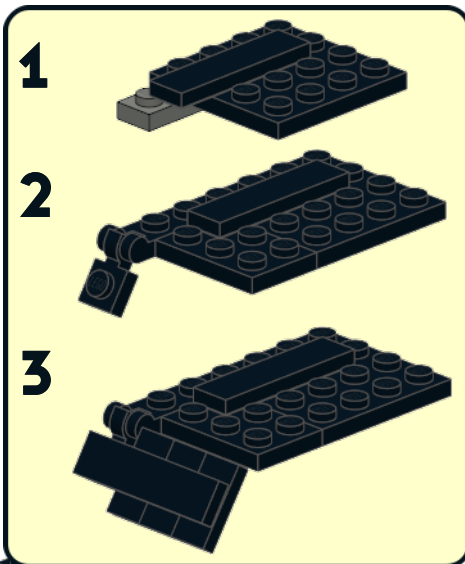


15


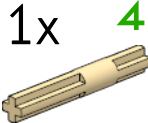
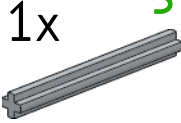
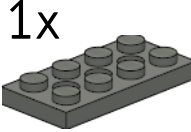
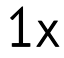
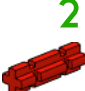
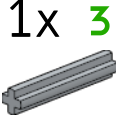
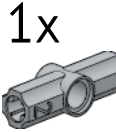
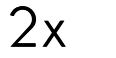

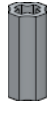


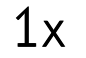


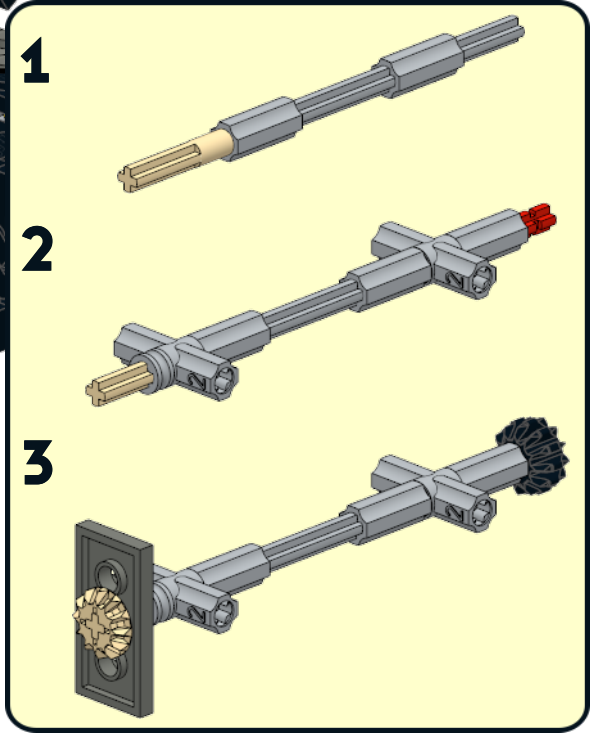
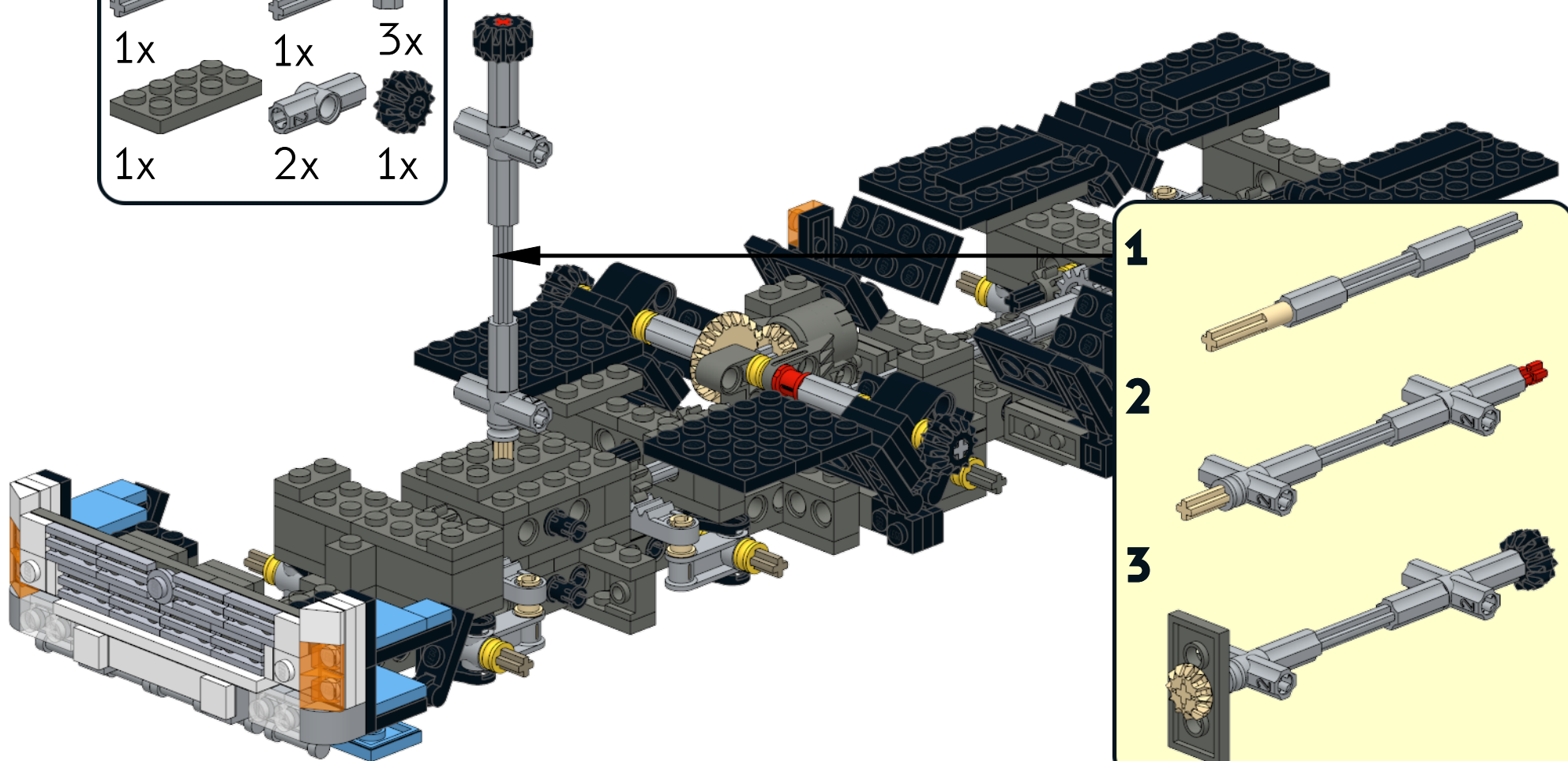
16

- 2x 
- 2x 
- 4x 
- 2x 
- 2x 
- 6x 
- 2x 

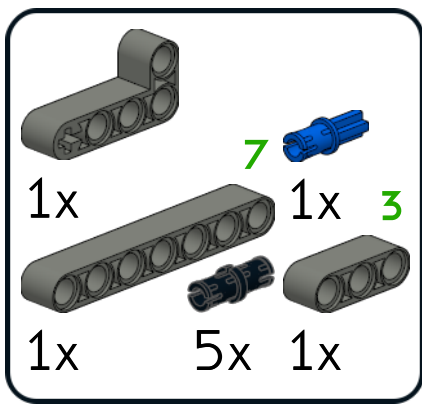


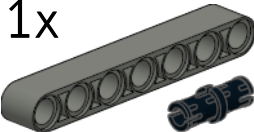

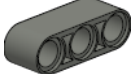
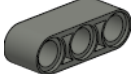

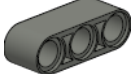
17

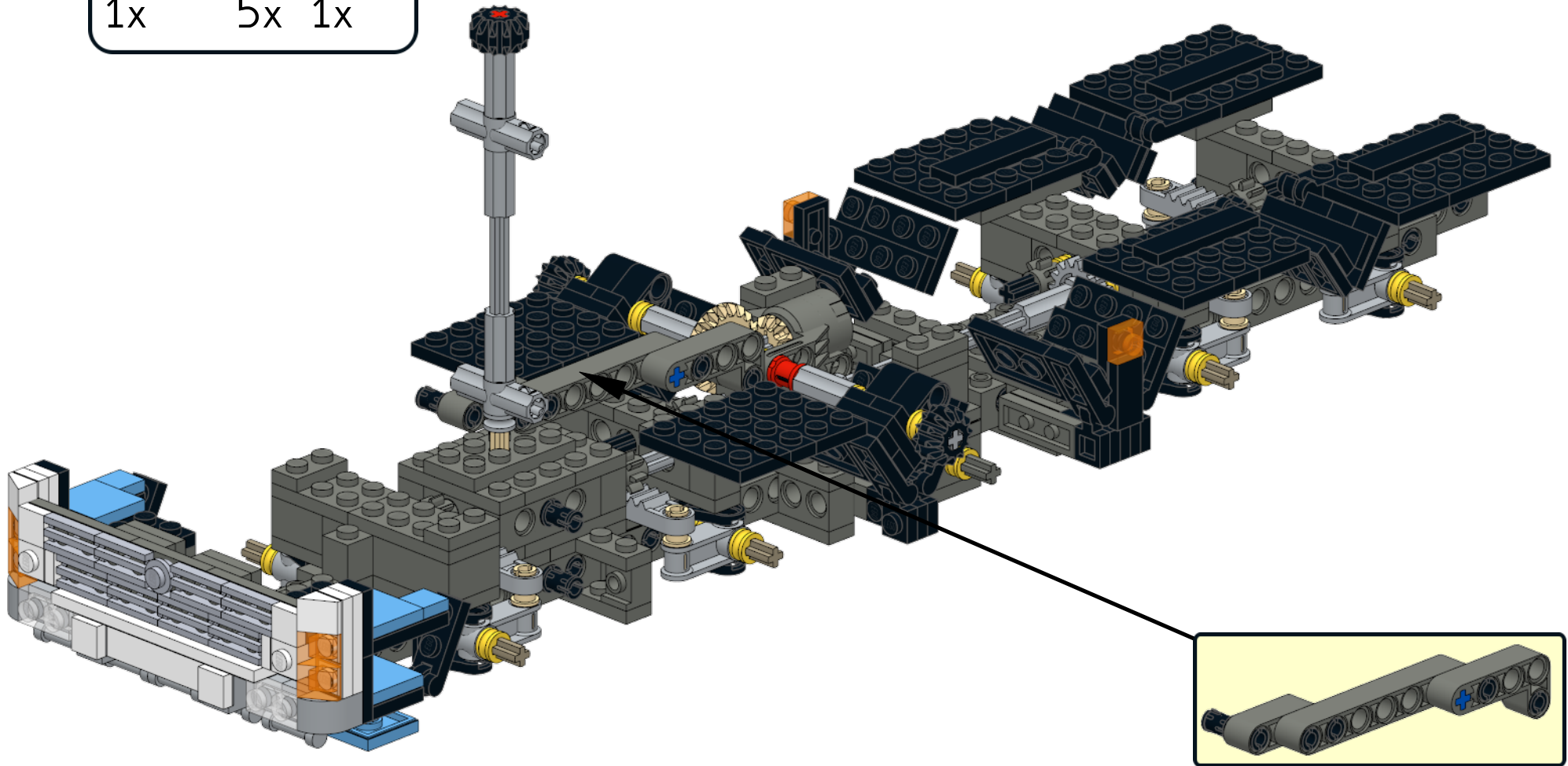
- 1x 
- 1x  4
- 1x  5
- 1x 
- 1x 
- 2x  2
- 1x  3
- 1x 
- 2x  2
- 1x  1
- 1x  3
- 3x 
- 1x  1
- 1x  1



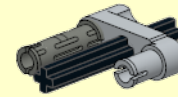
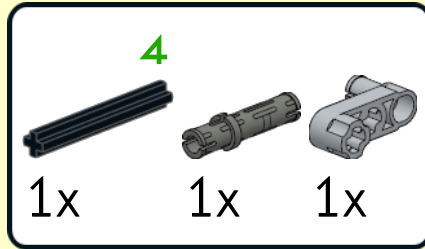
18



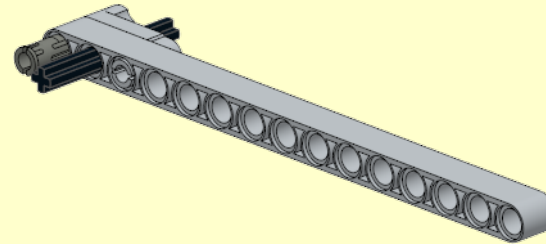
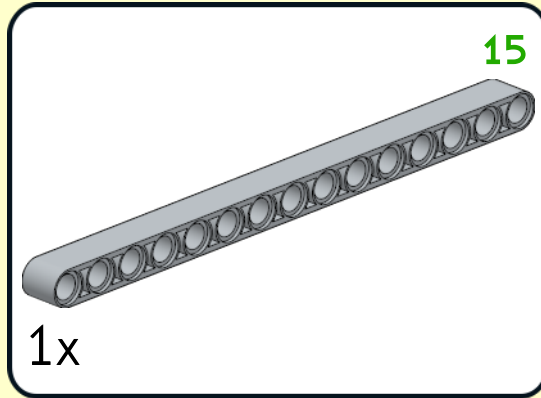
1x  7  1x  3
1x  5x  1x 



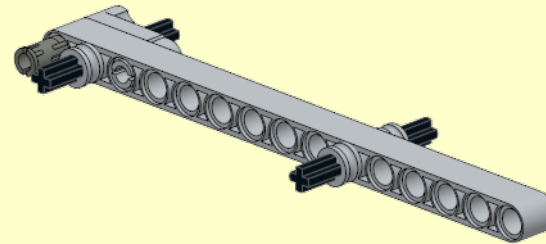
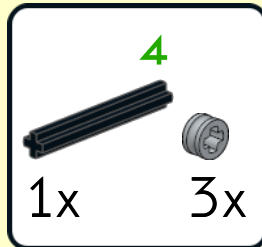
1



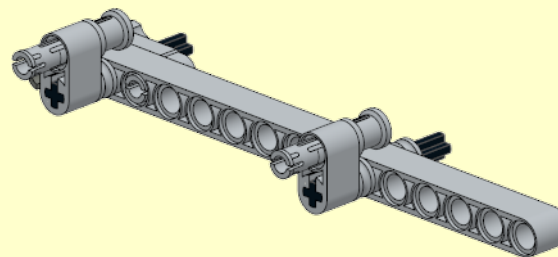
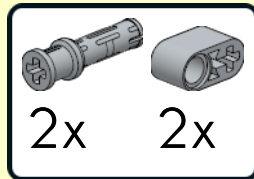
2



3

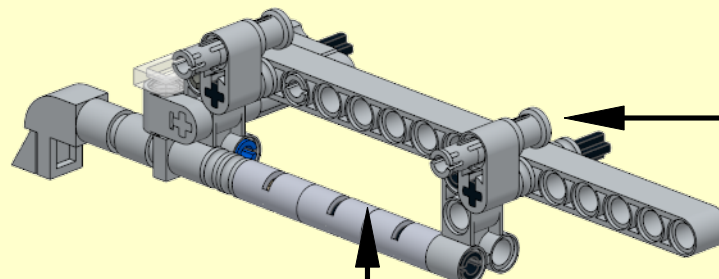


4

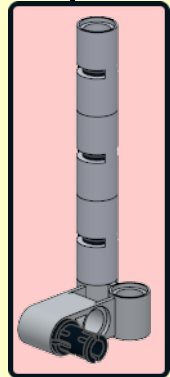


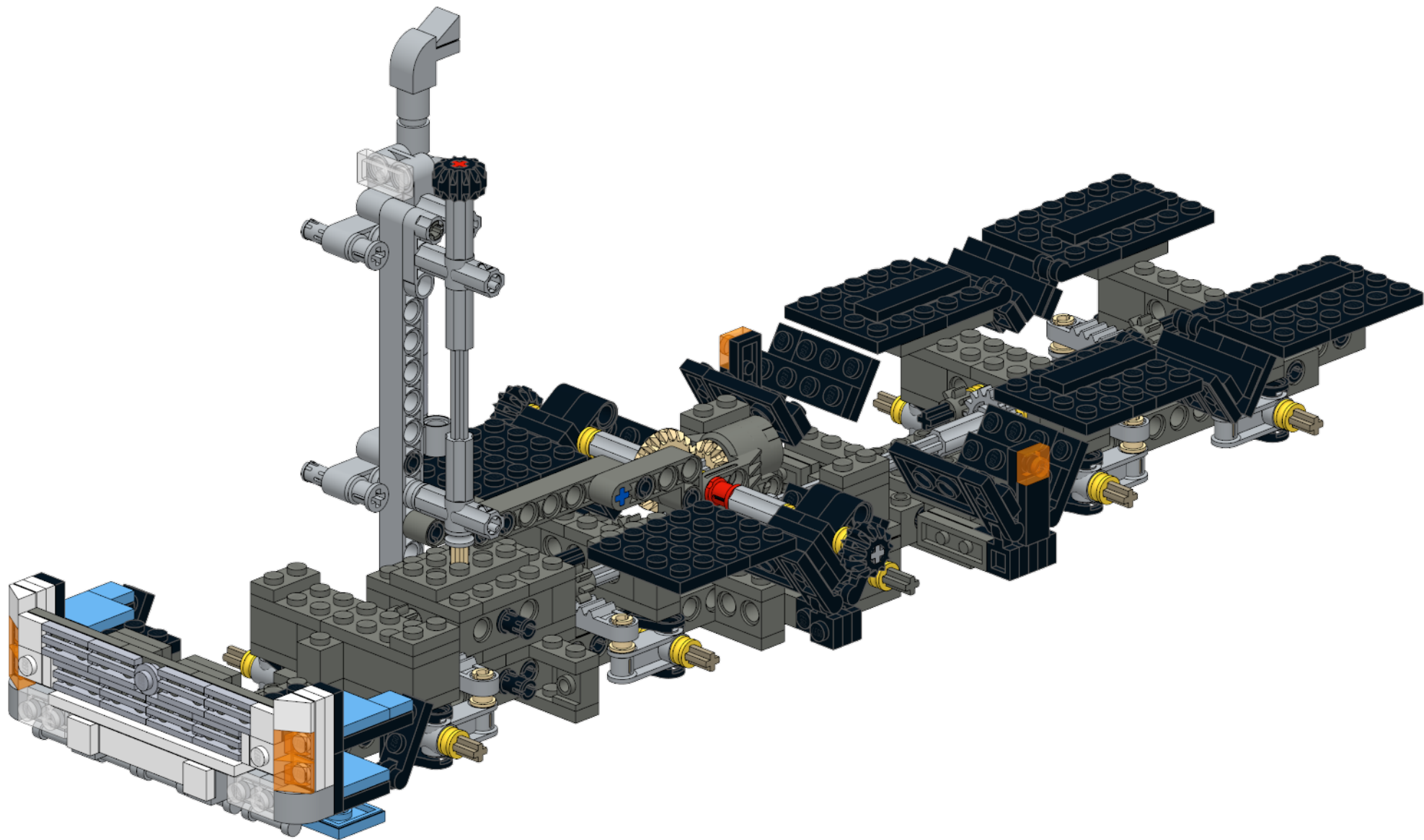
5

- | | | | | |
|----|----|----|----|----|
| | | | | |
| 1x | 1x | 2x | 2x | 1x |
| | | | | |
| 1x | 1x | 3x | 2x | 1x |
| | | | | |
| 1x | 1x | 2x | 2x | 1x |
| | | | | |
| 1x | 1x | 2x | 4x | 1x |



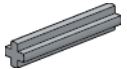
-
-
-





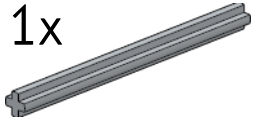
20

3

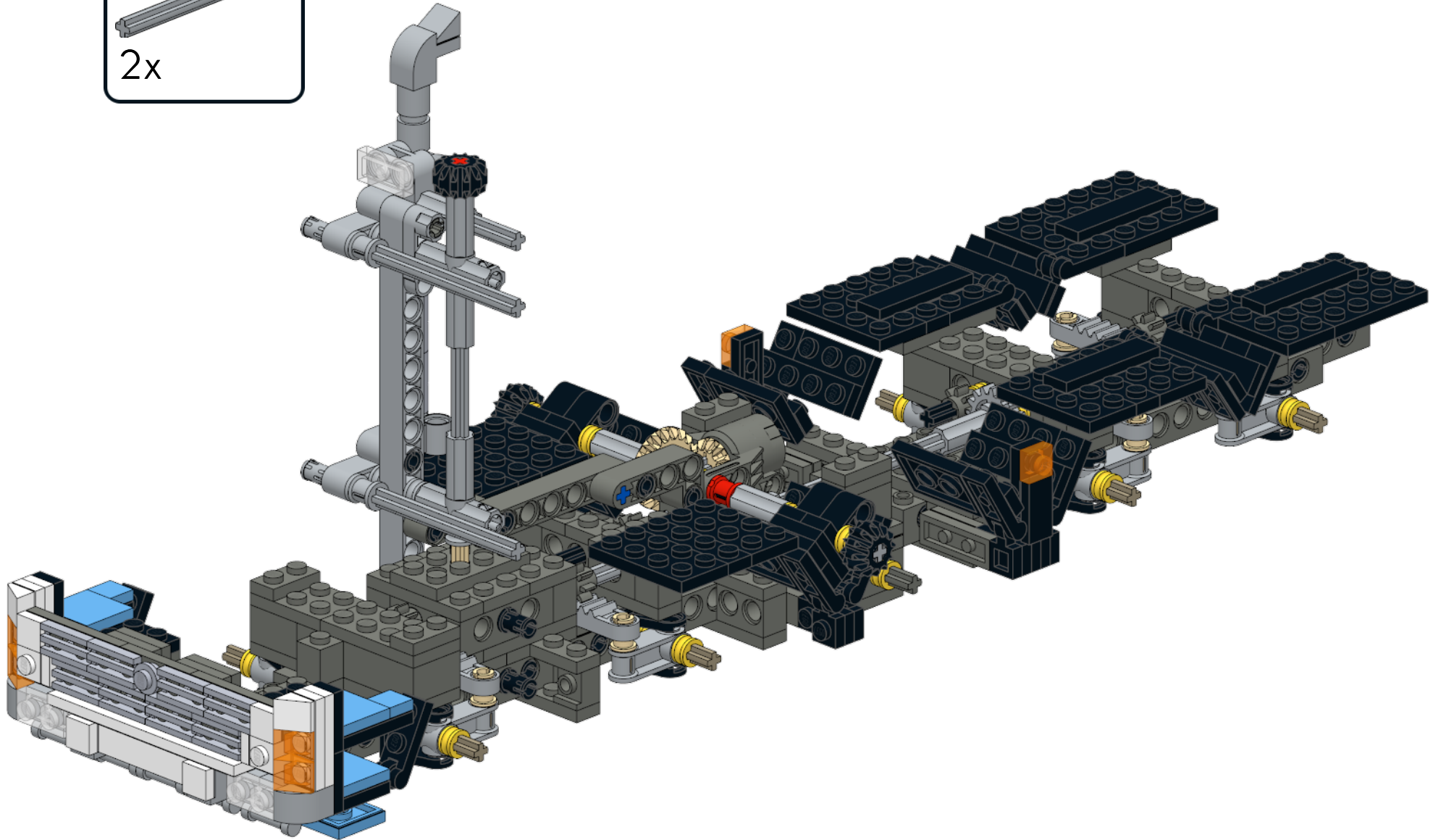


7

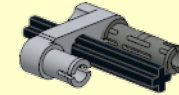
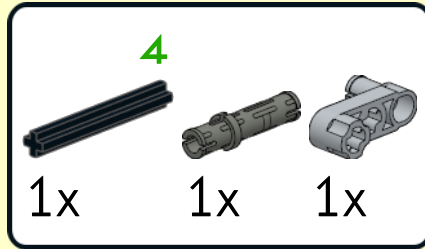
1x



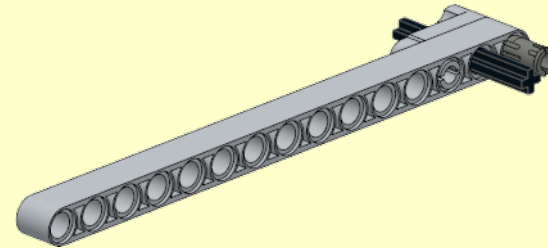
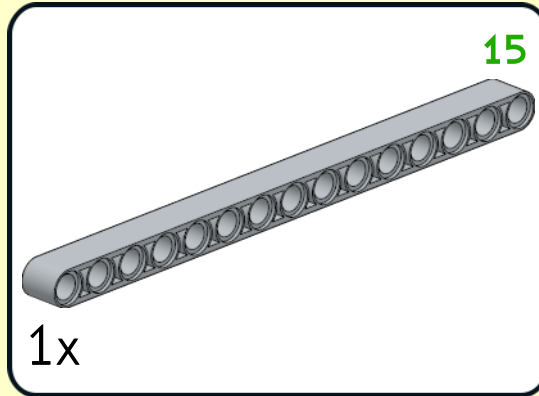
2x



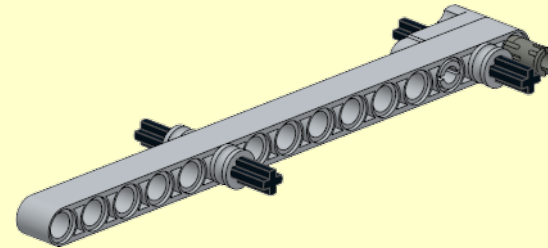
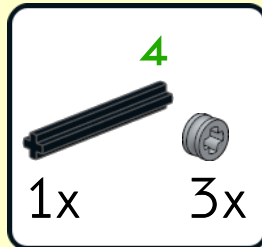
1



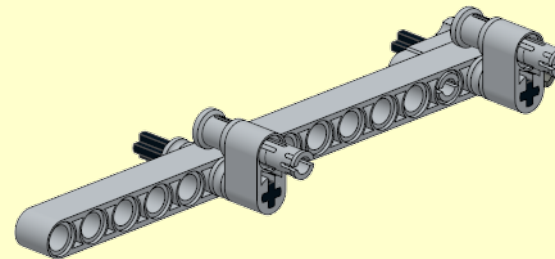
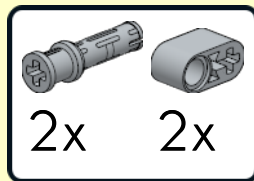
2



3

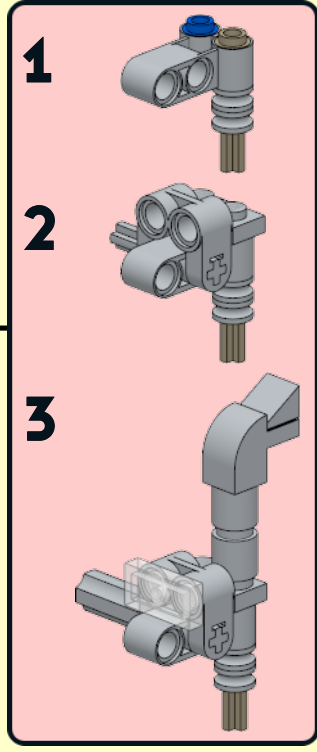
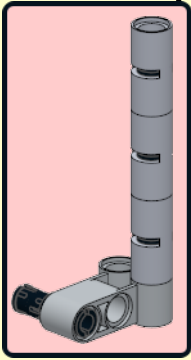
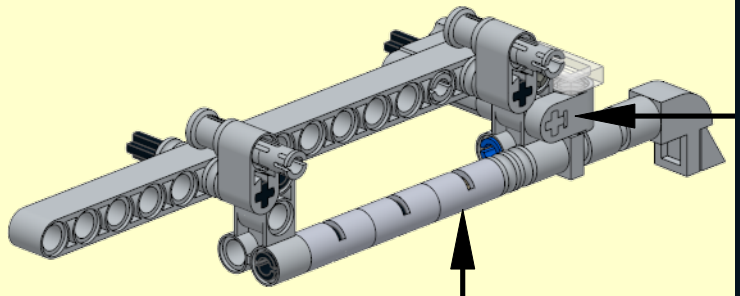


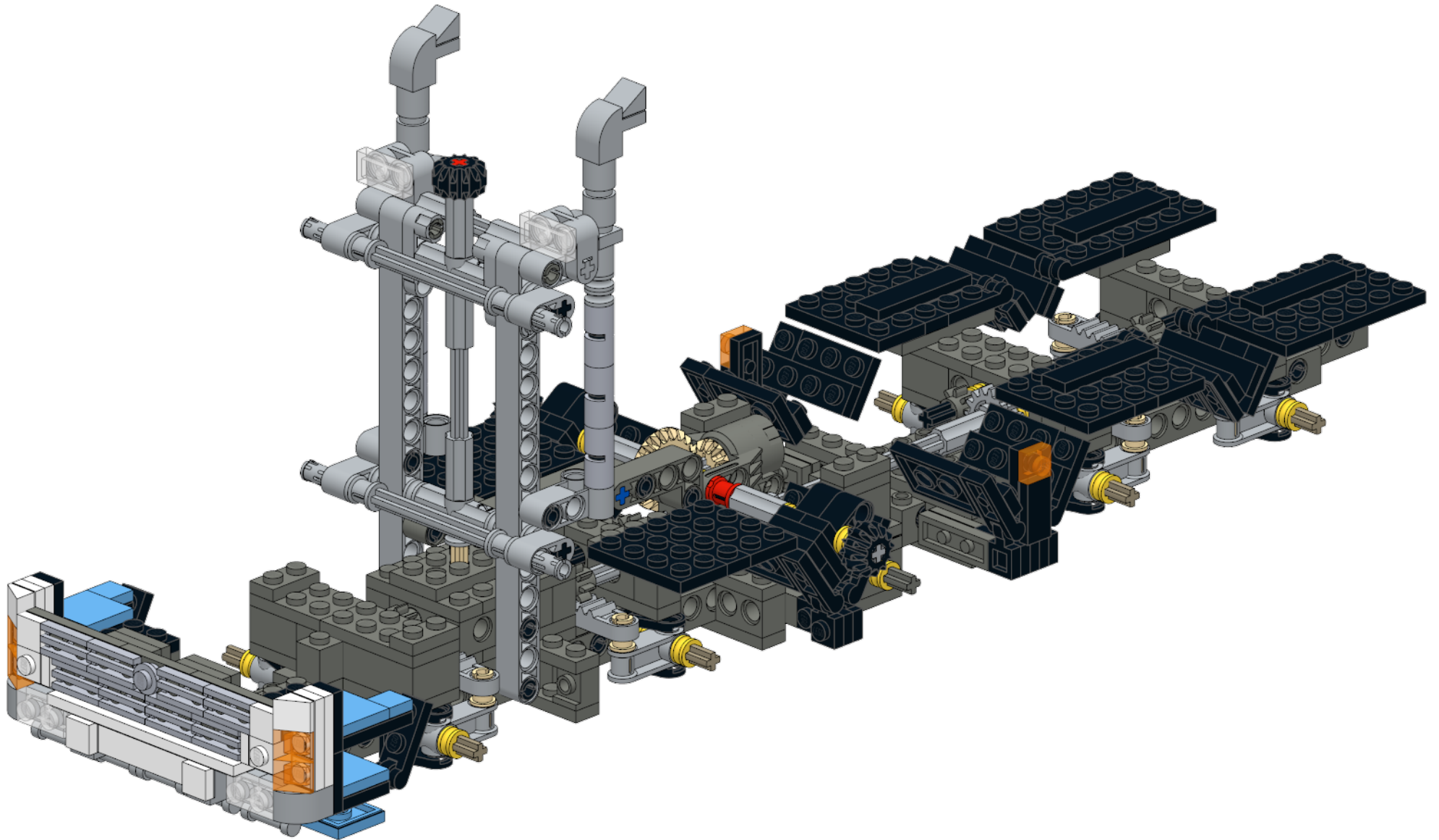
4



5

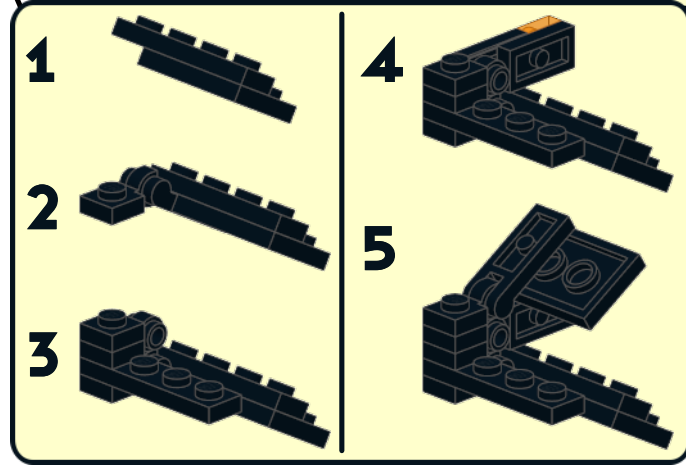
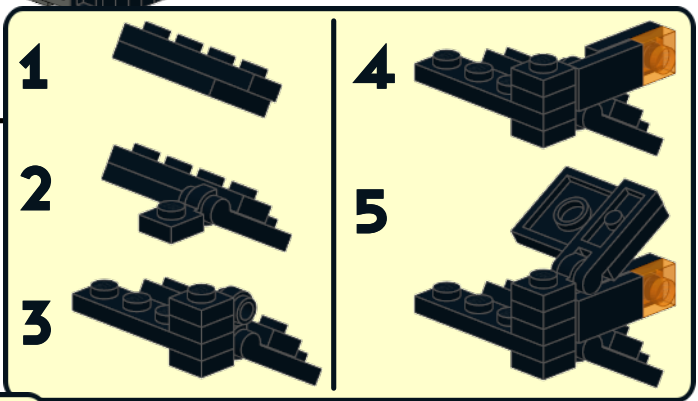
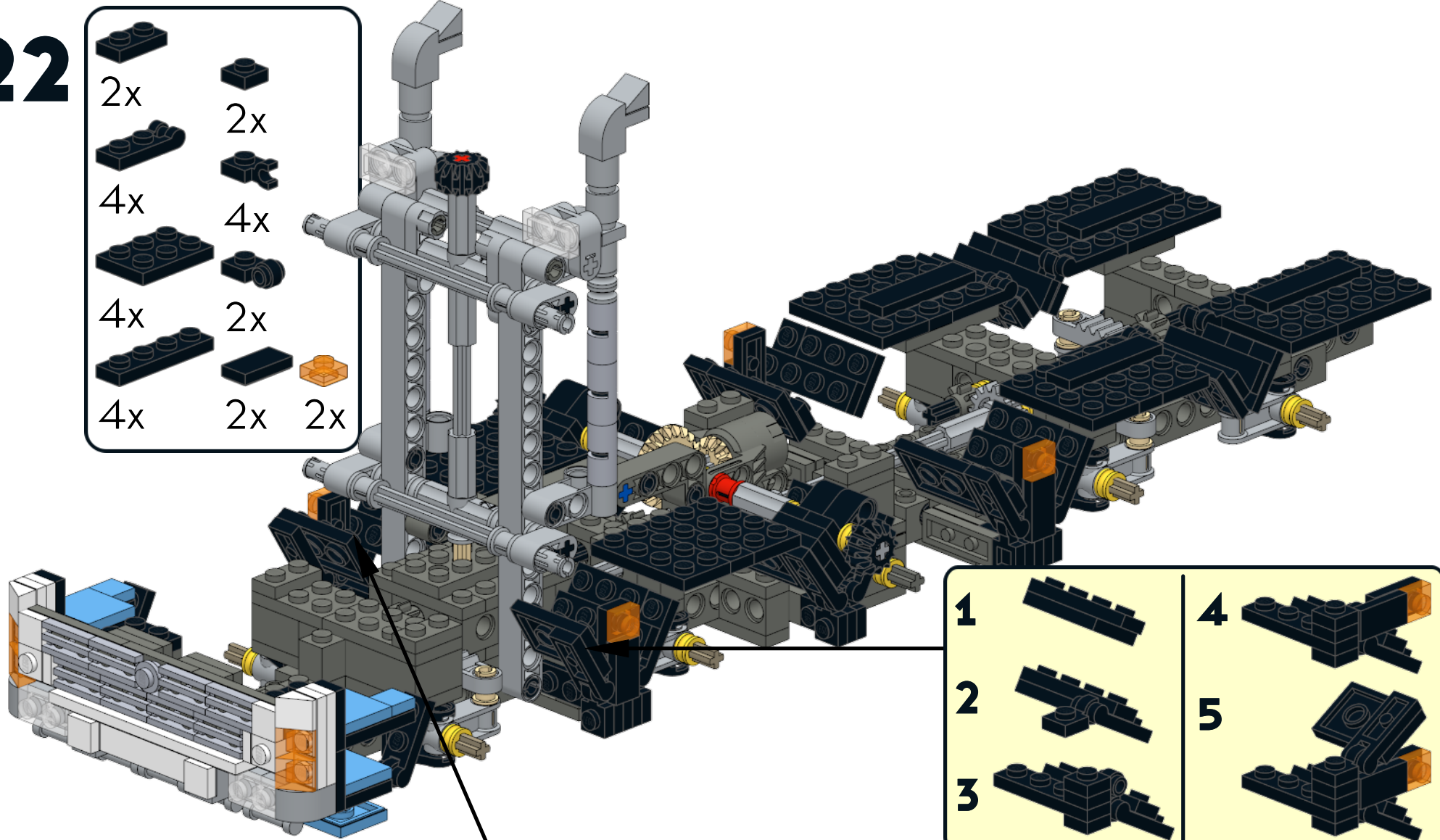
- | | | | | |
|----|----|----|----|----|
| | | | | |
| 1x | 1x | 2x | 2x | 1x |
| | | | | |
| 1x | 1x | 3x | 2x | 1x |
| | | | | |
| 1x | 1x | 2x | 4x | 1x |



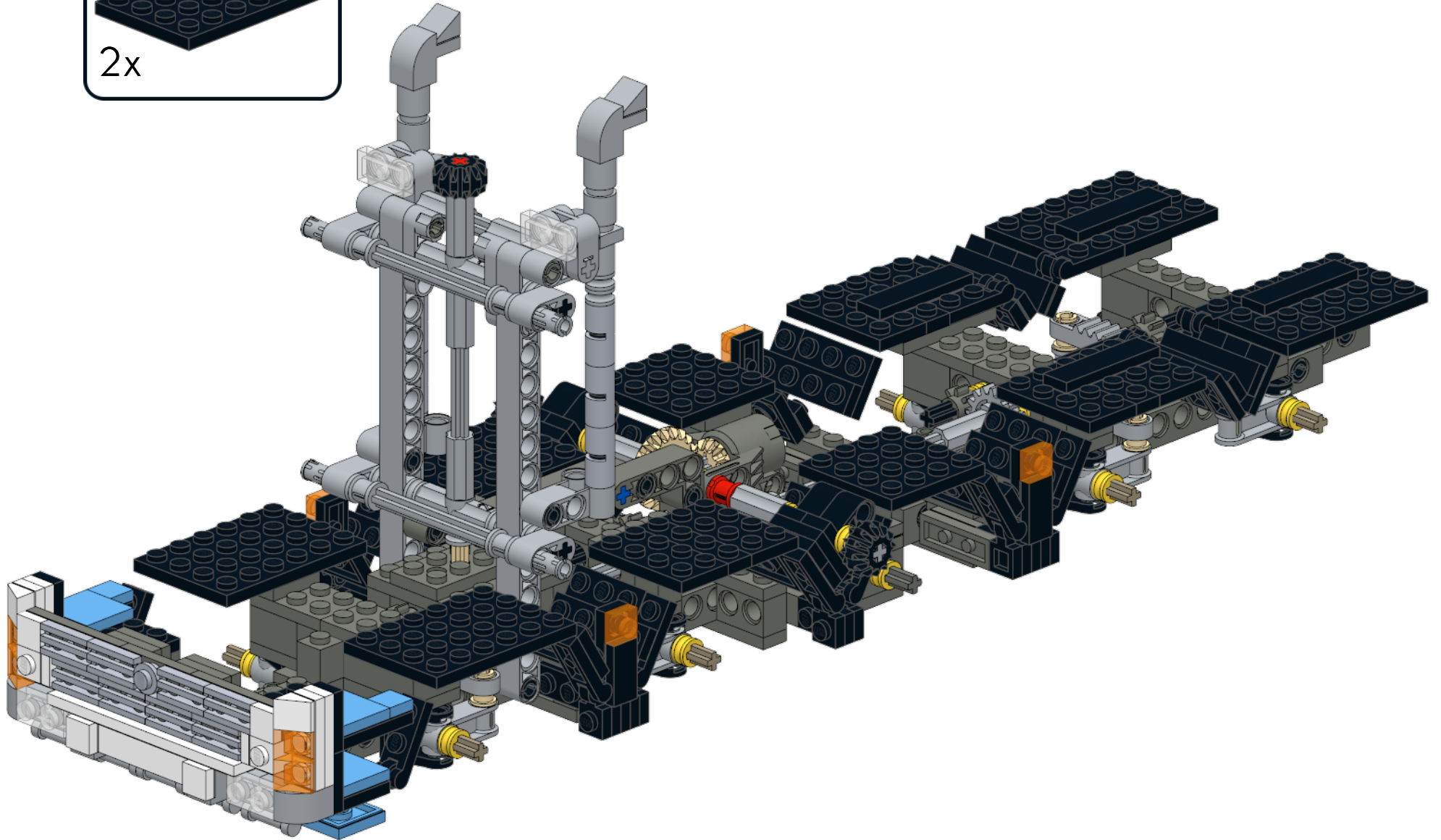
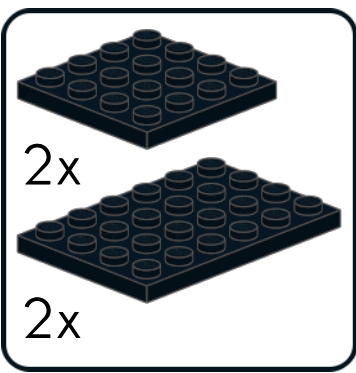


22

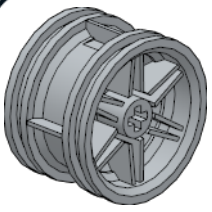
- 2x
- 4x
- 4x
- 4x
- 2x
- 2x
- 2x
- 2x
- 2x
- 2x



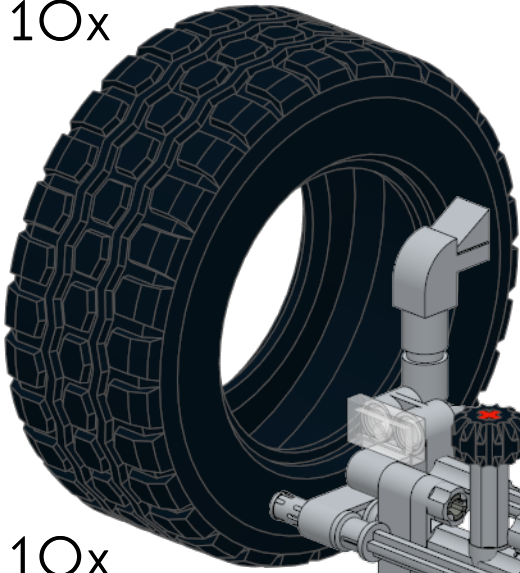
23



24



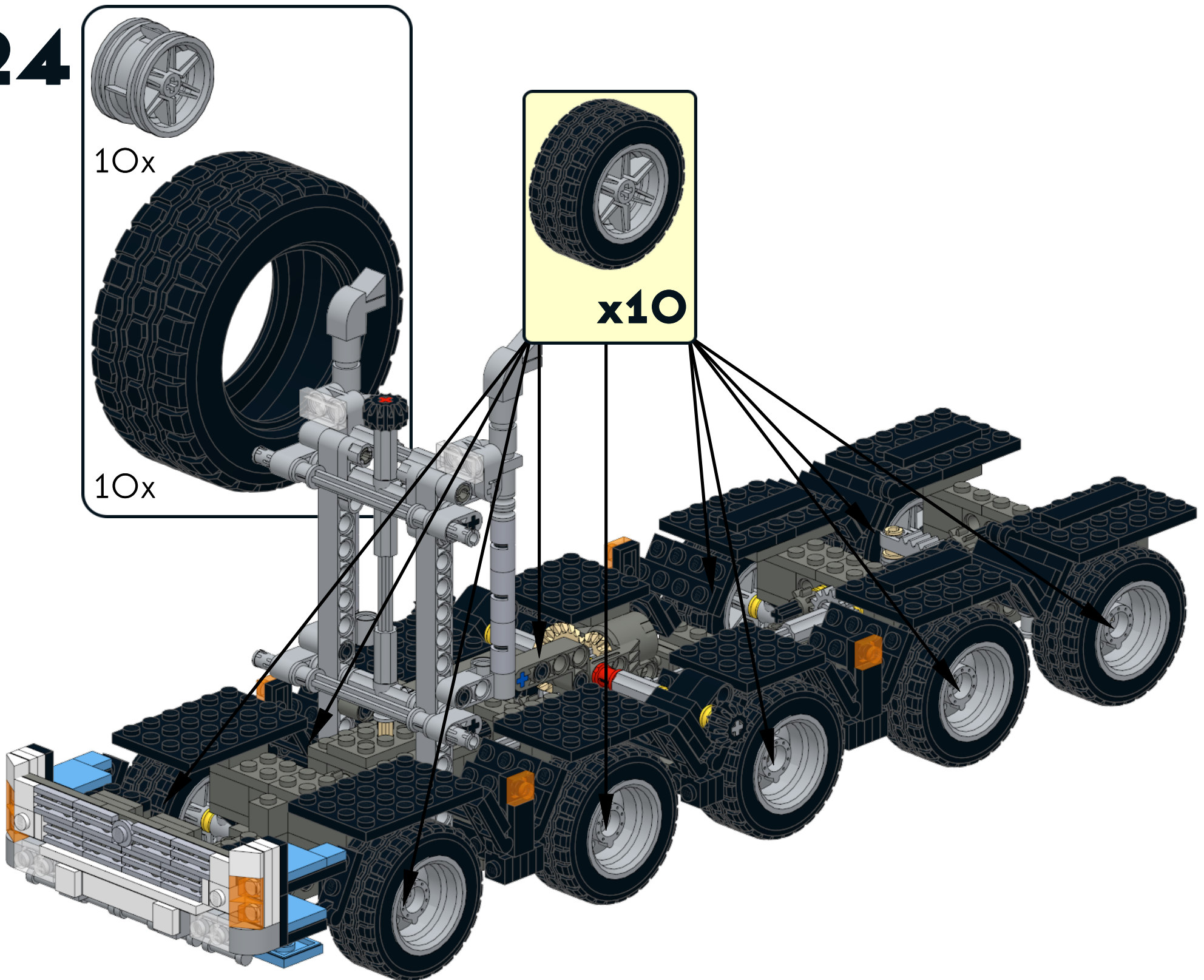
10x



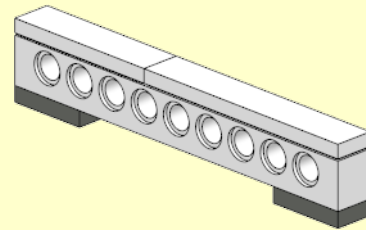
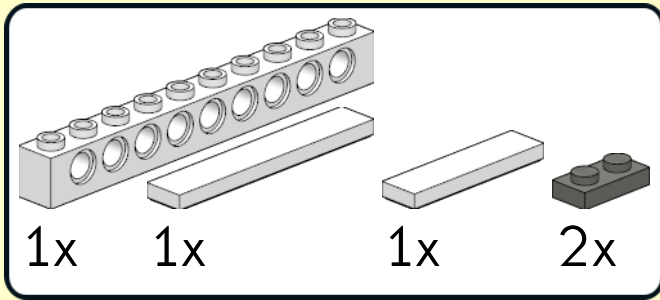
10x



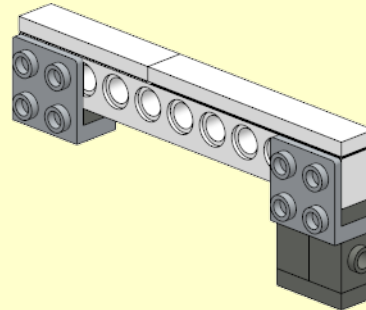
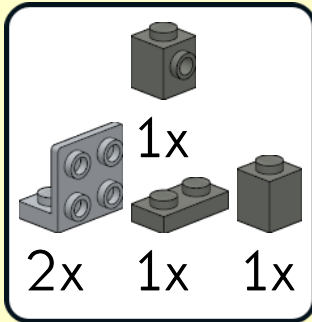
x10



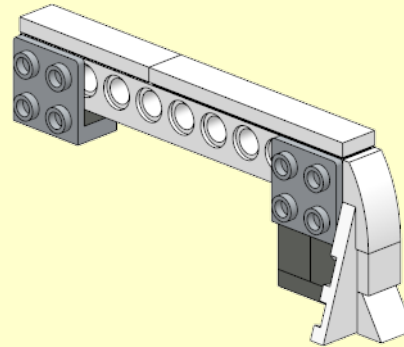
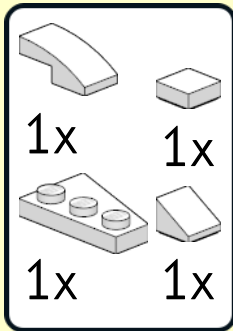
1



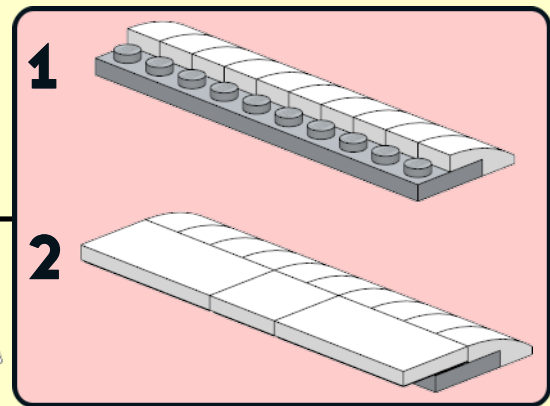
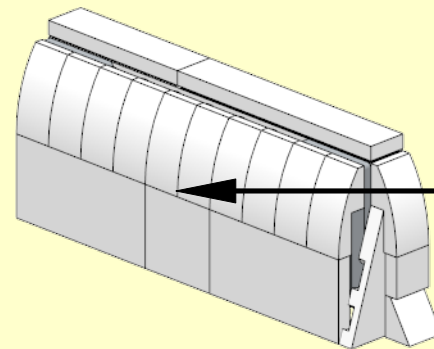
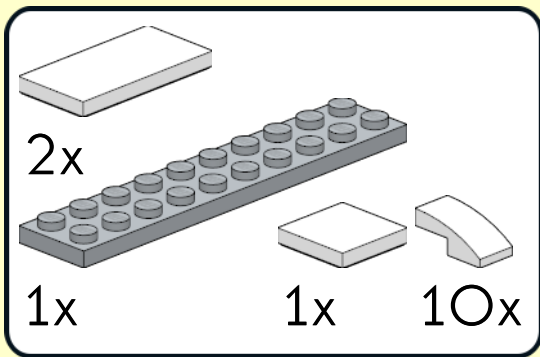
2



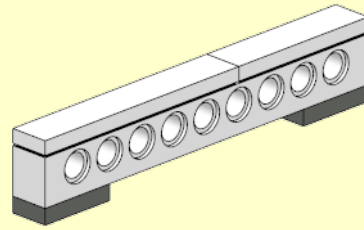
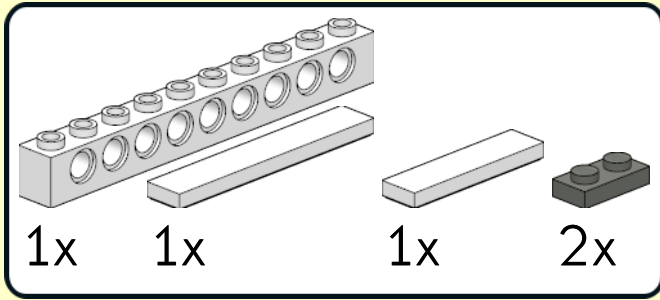
3



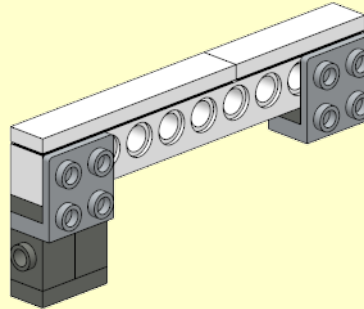
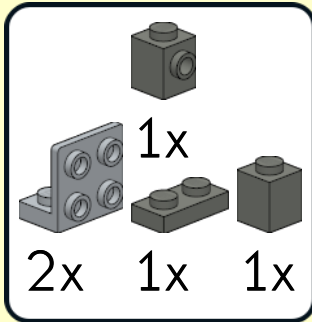
4



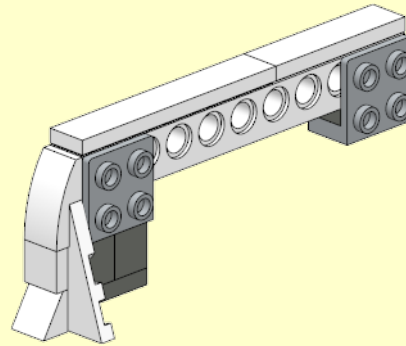
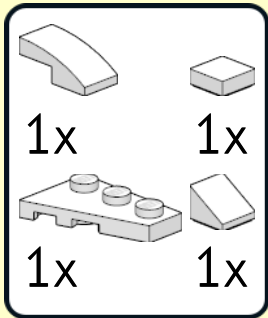
1



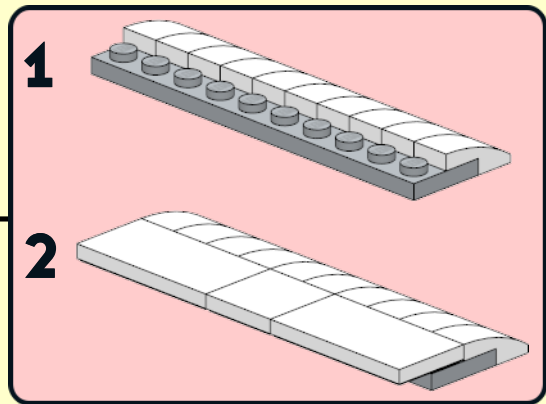
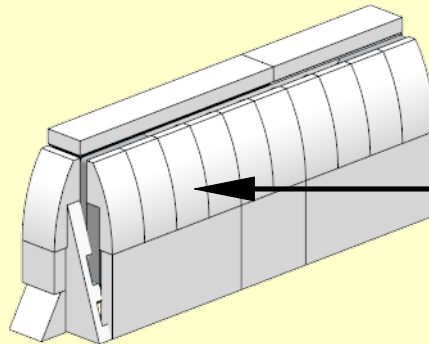
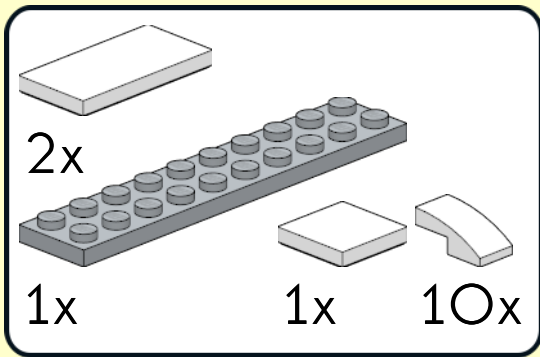
2

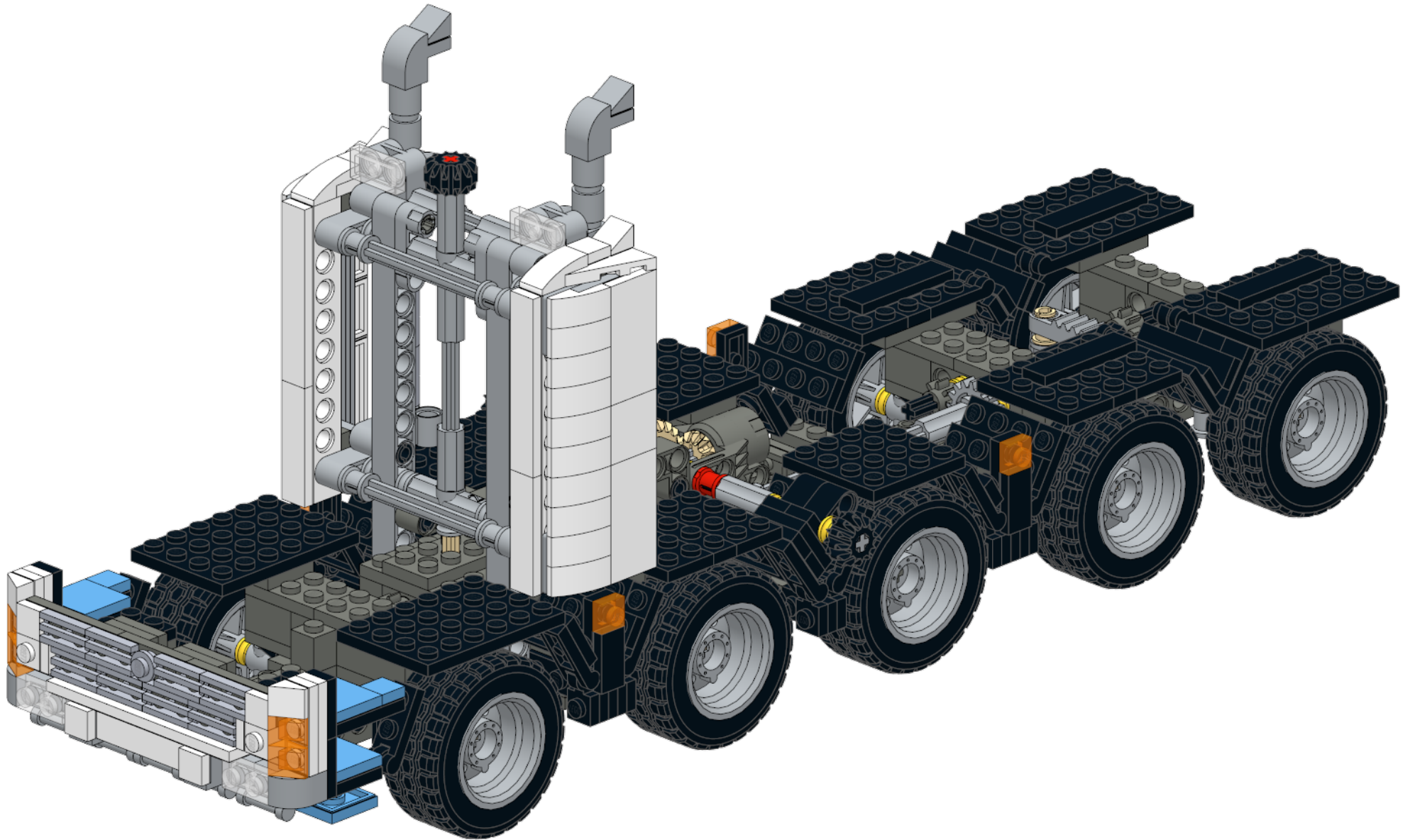


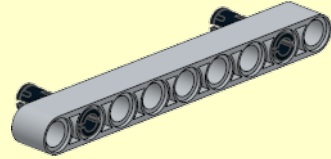
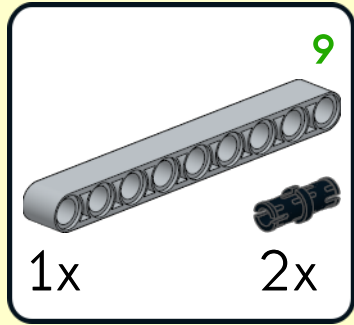
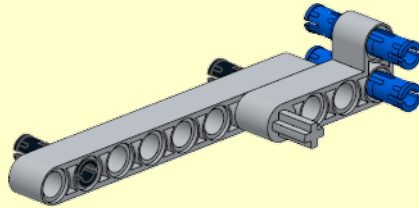
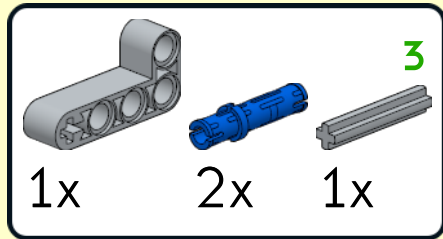
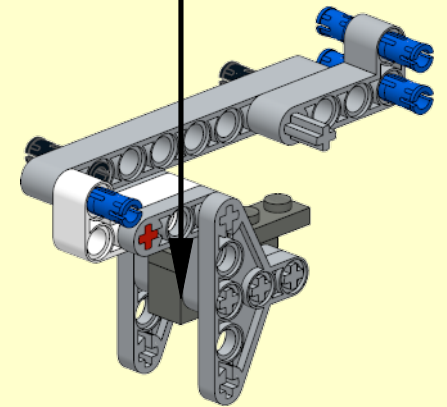
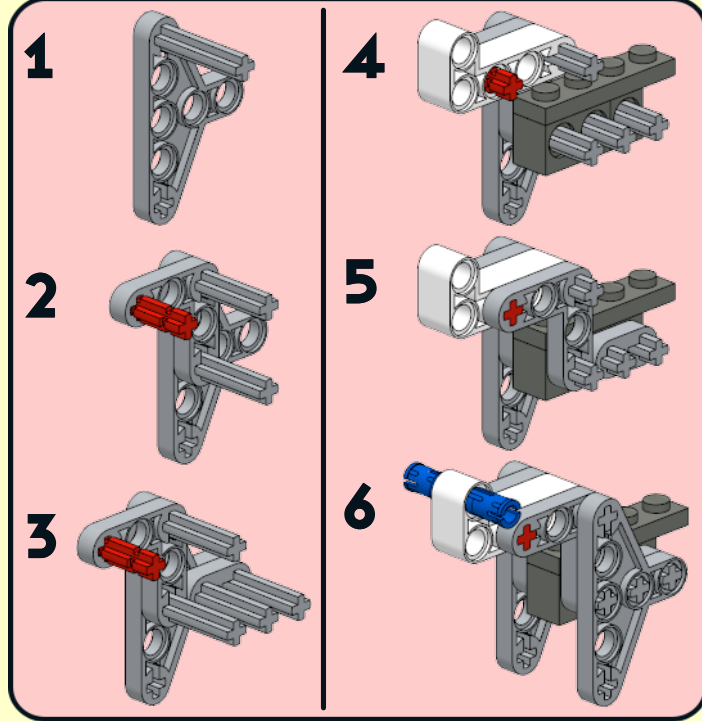
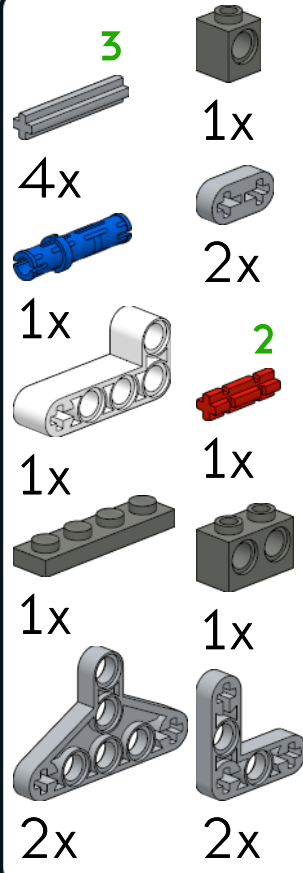
3



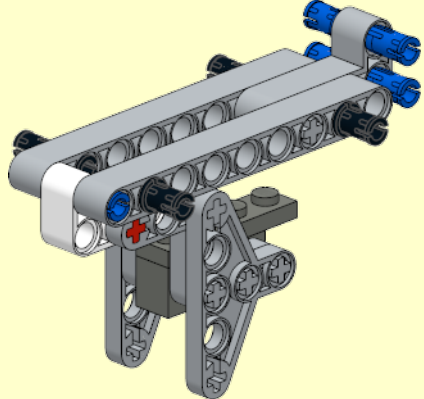
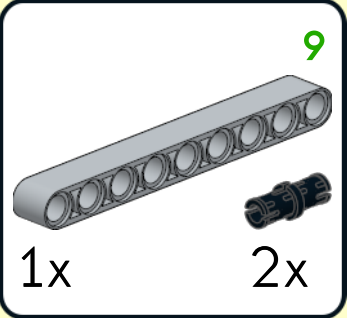
4



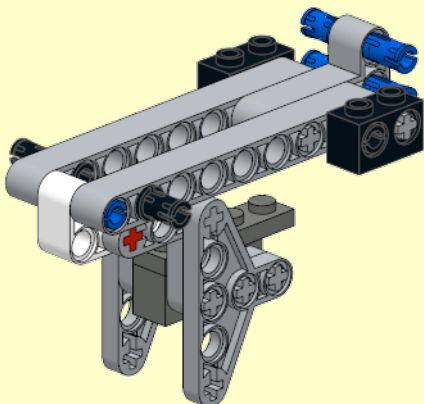
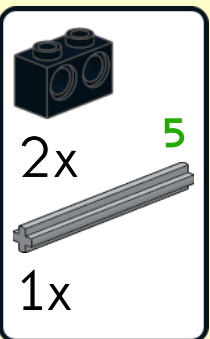


1**2****3**

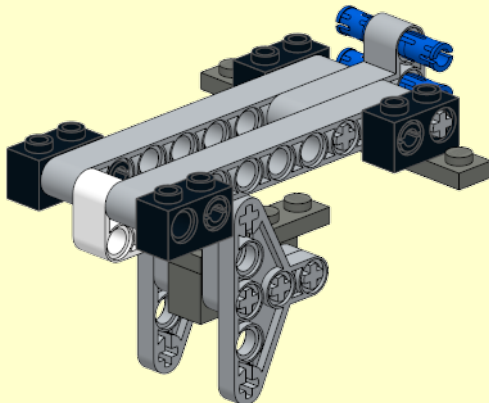
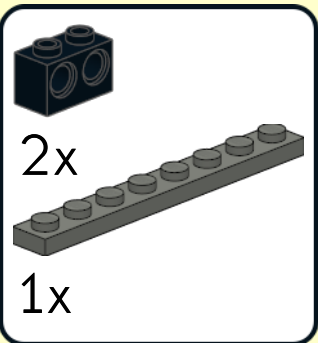
4



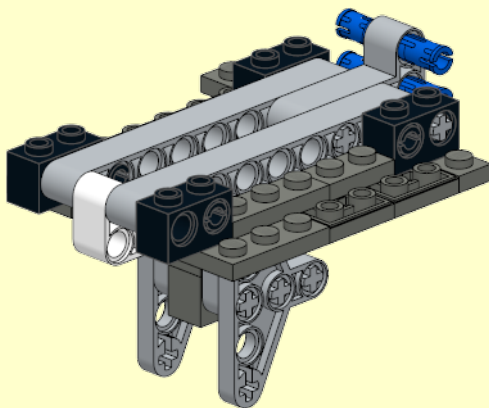
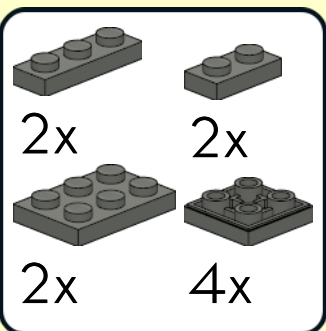
5



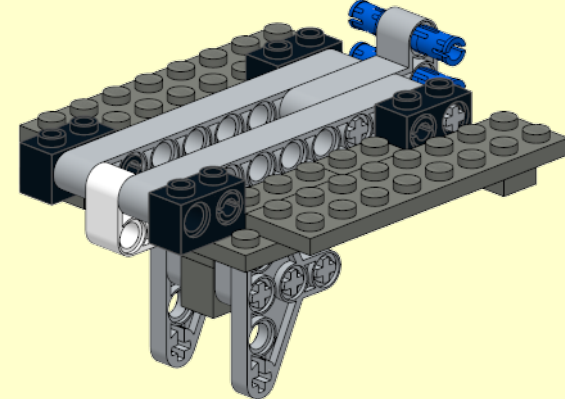
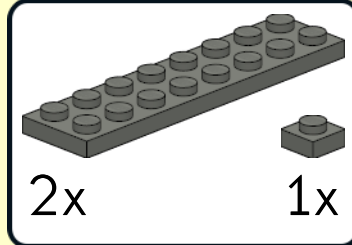
6



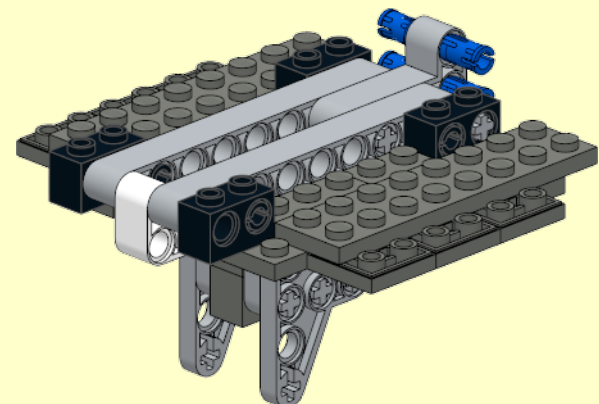
7



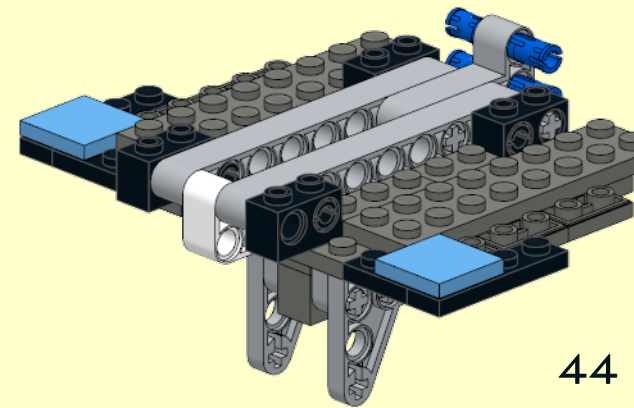
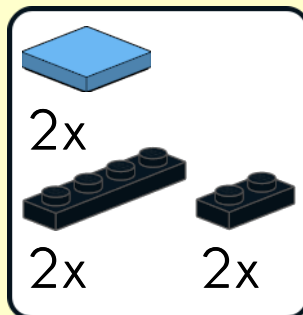
8



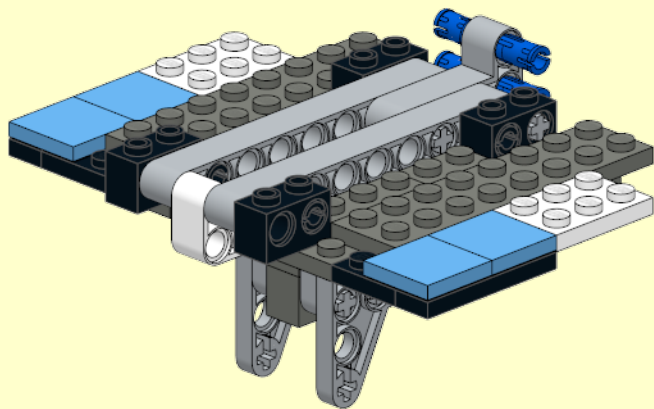
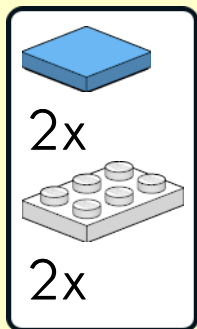
9



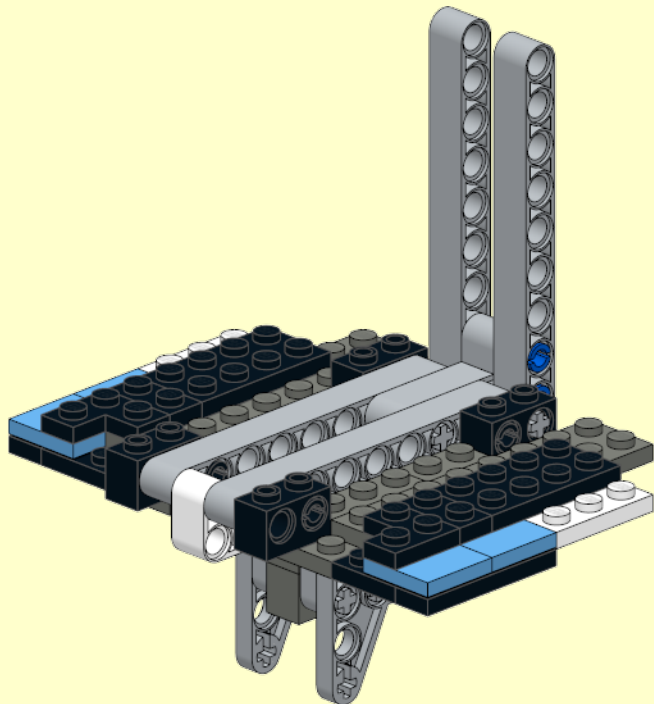
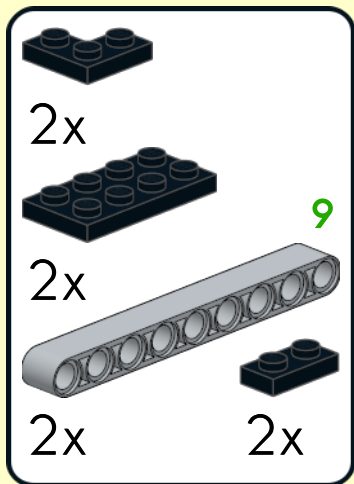
10



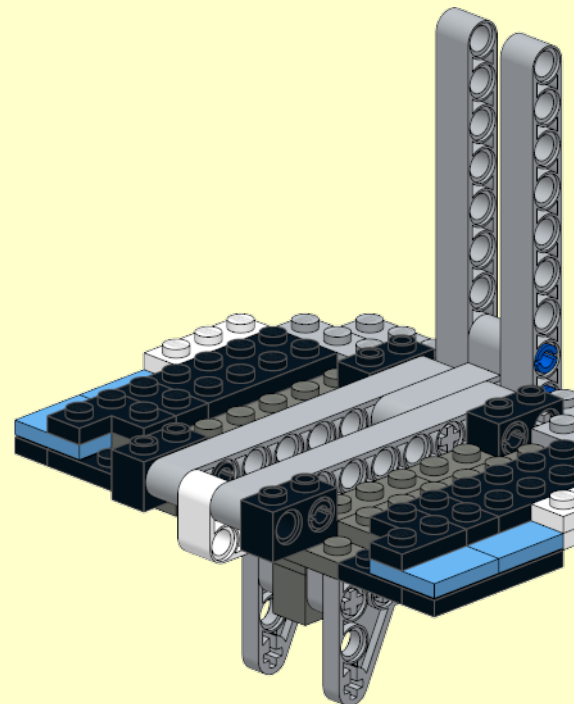
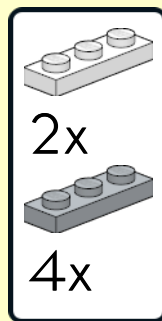
1



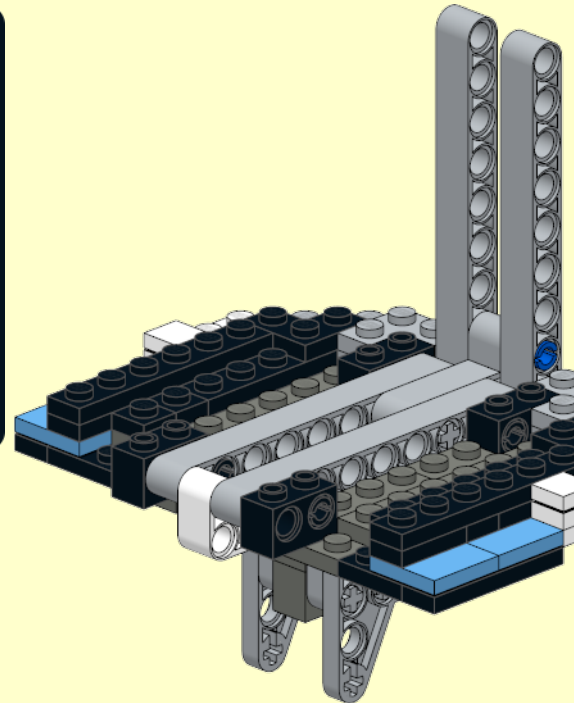
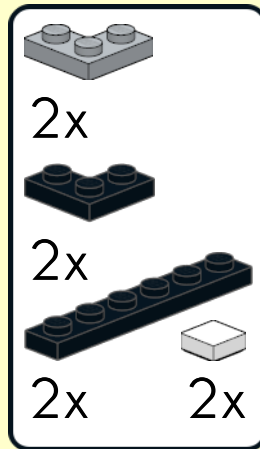
2



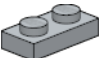
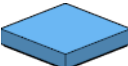

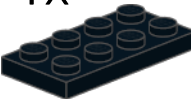
13

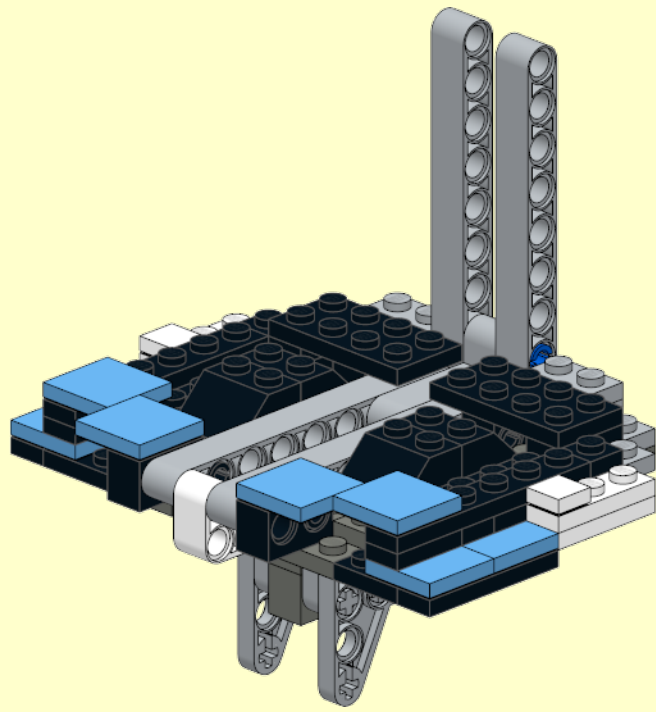


14

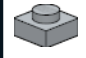

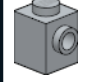
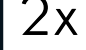


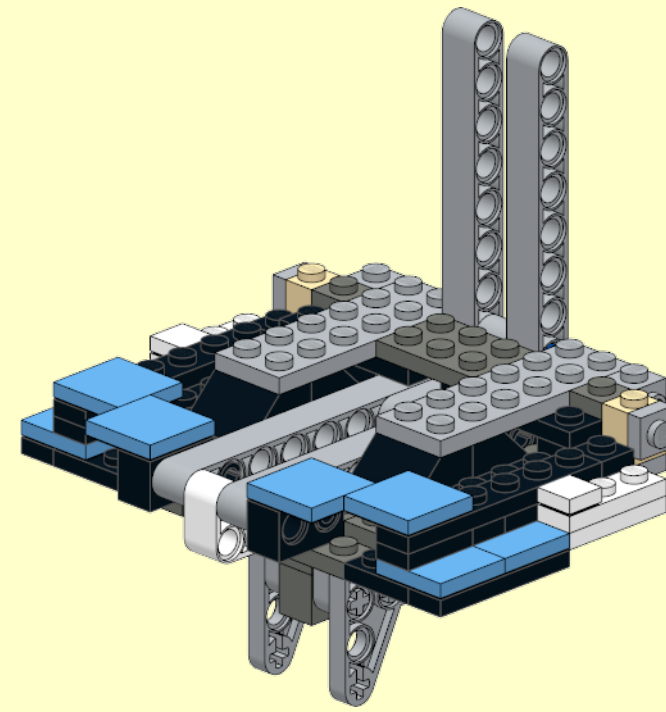
15

-  2x
-  4x
-  4x
-  2x

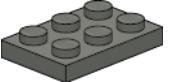
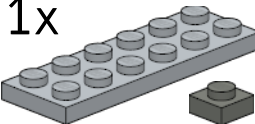



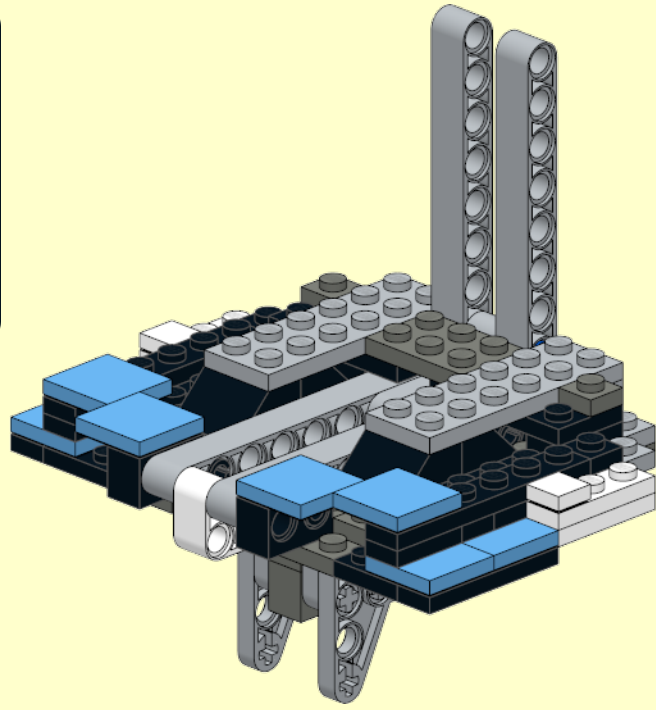
17

-  2x
-  2x
-  2x
-  2x

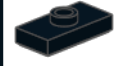
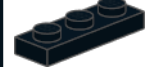


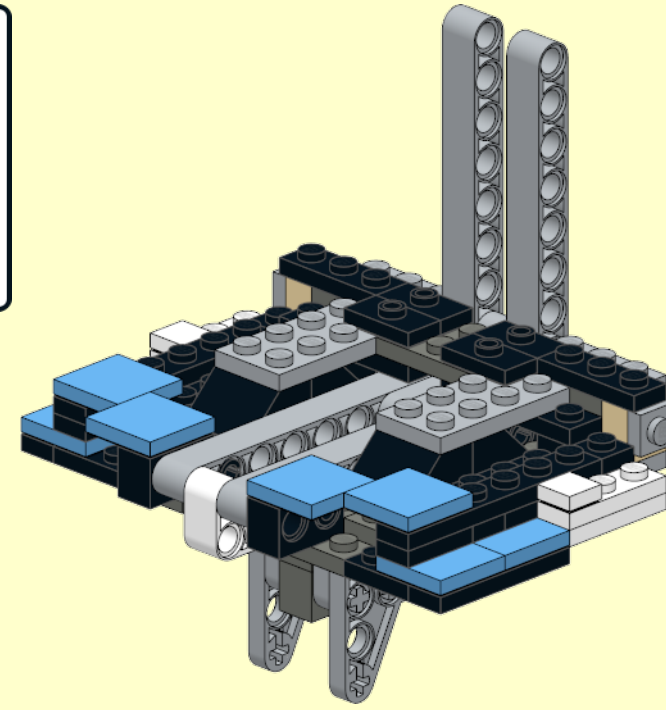
16

-  1x
-  2x
-  2x

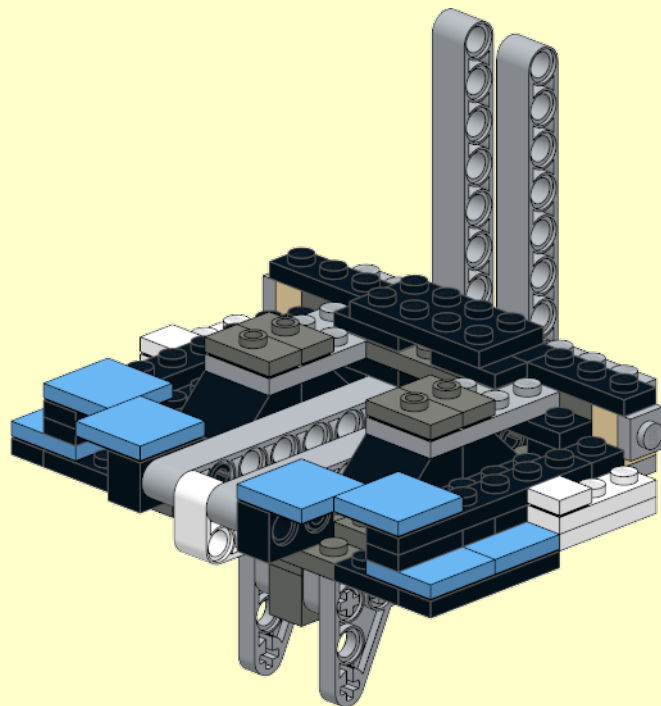
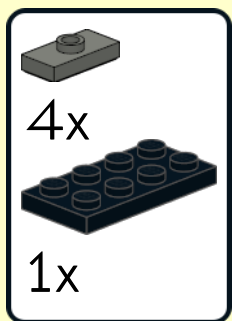


18

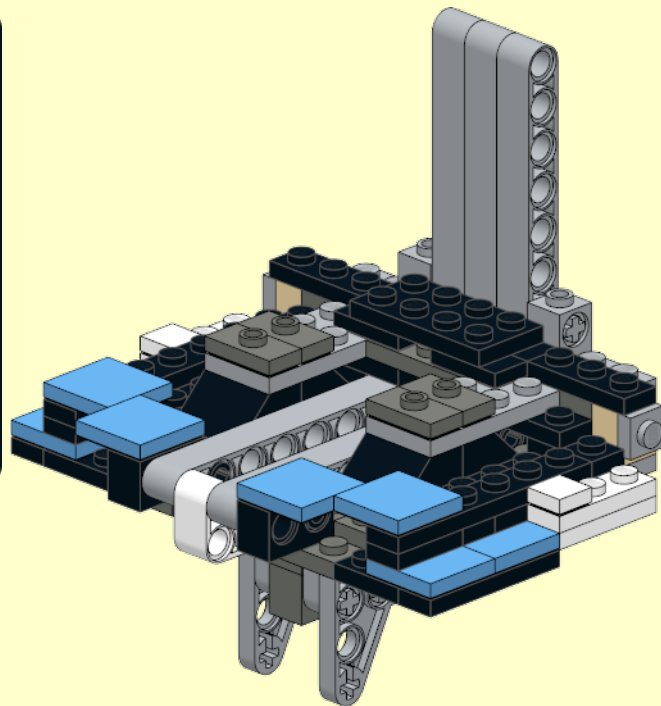
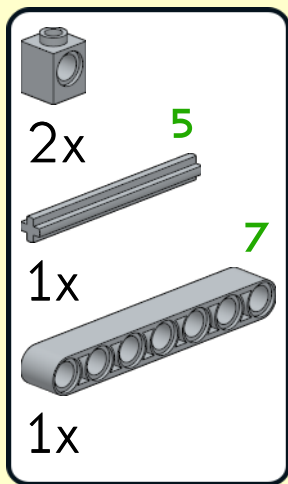
-  4x
-  2x



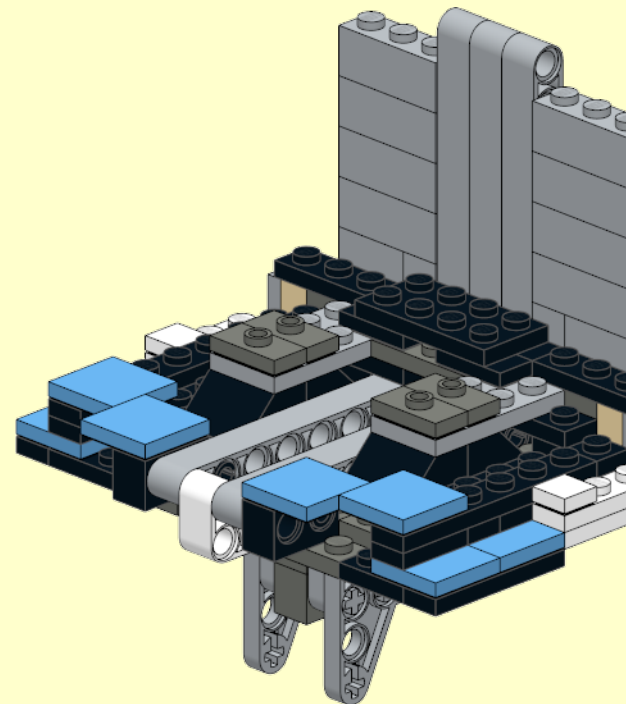
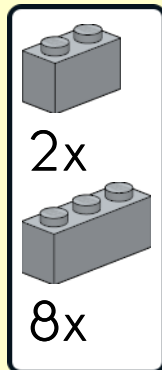
19



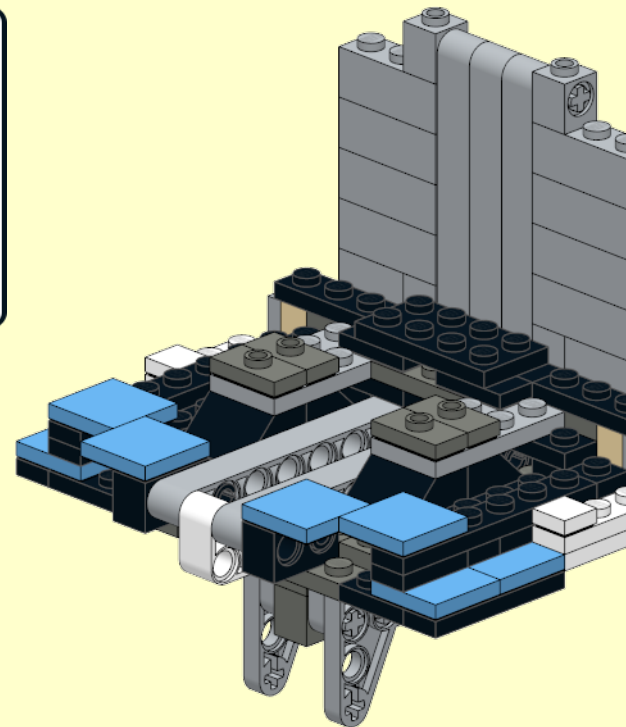
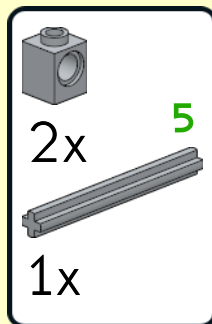
20



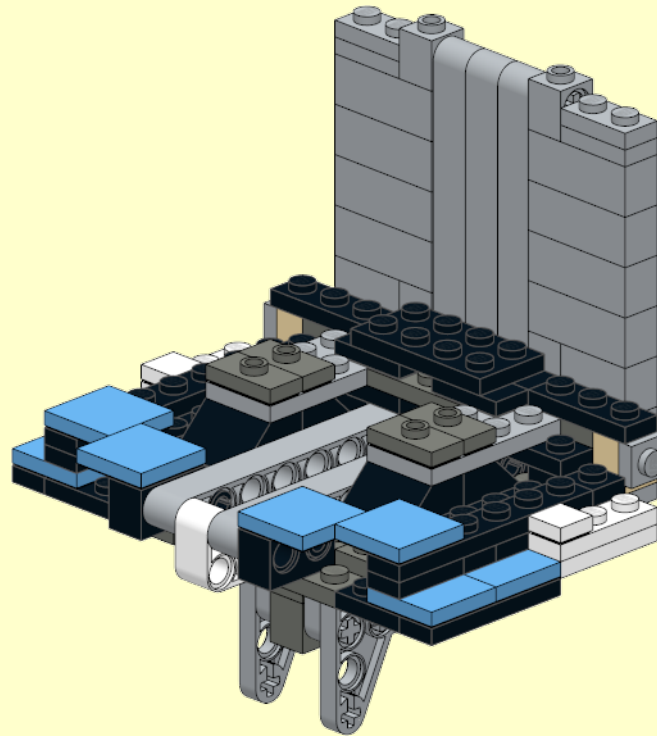
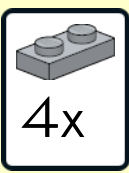
21



22

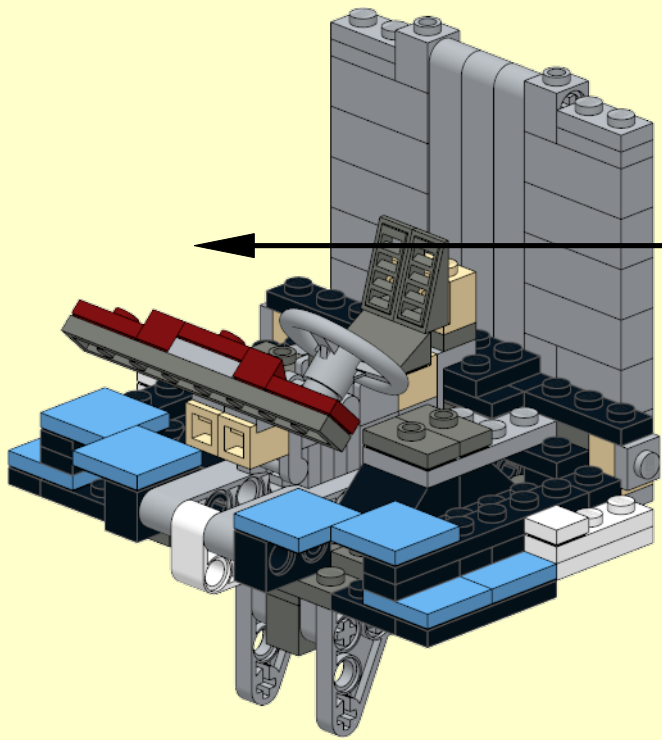


23



24

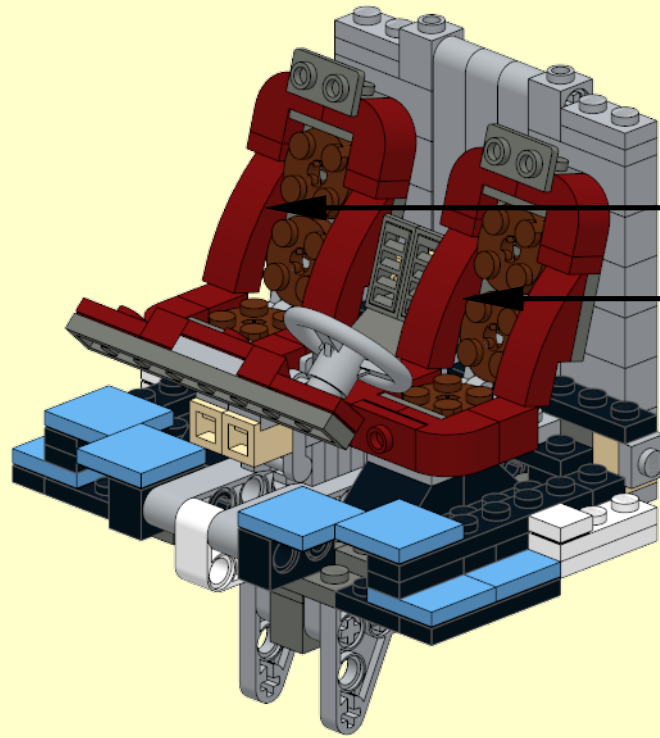
- 1x
- 3x
- 1x
- 1x
- 2x
- 1x
- 2x
- 1x
- 2x
- 3x
- 4x
- 4x
- 6x
- 2x
- 1x



| | | |
|--------------|--------------|---------------|
| 1 | 5 | 9 |
| 2 | 6 | 10 |
| 3 | 7 | 11 |
| 4 | 8 | |

25

- 4x
- 2x
- 2x
- 2x
- 4x
- 6x
- 2x
- 2x
- 6x
- 8x
- 4x
- 4x



1

2

3


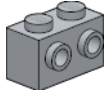
4

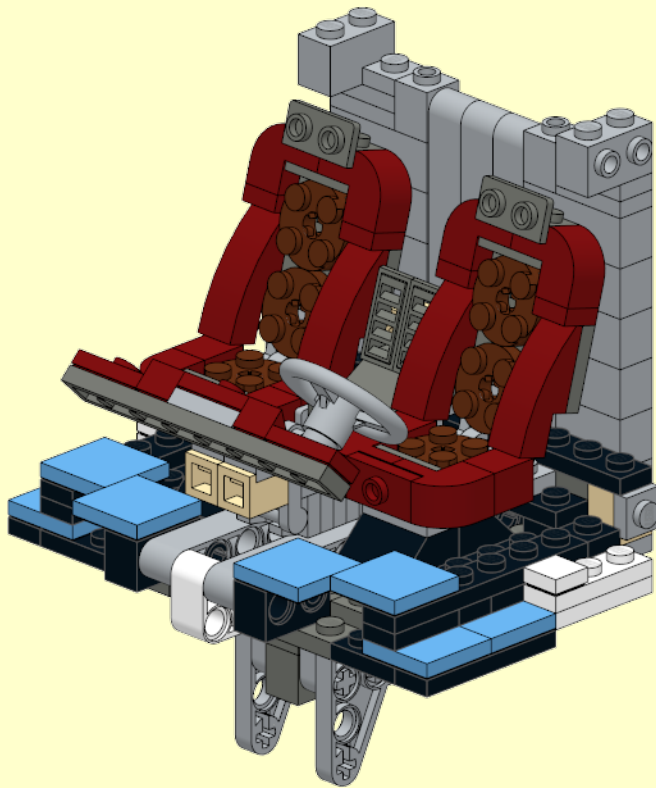
5

6


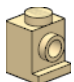
x2

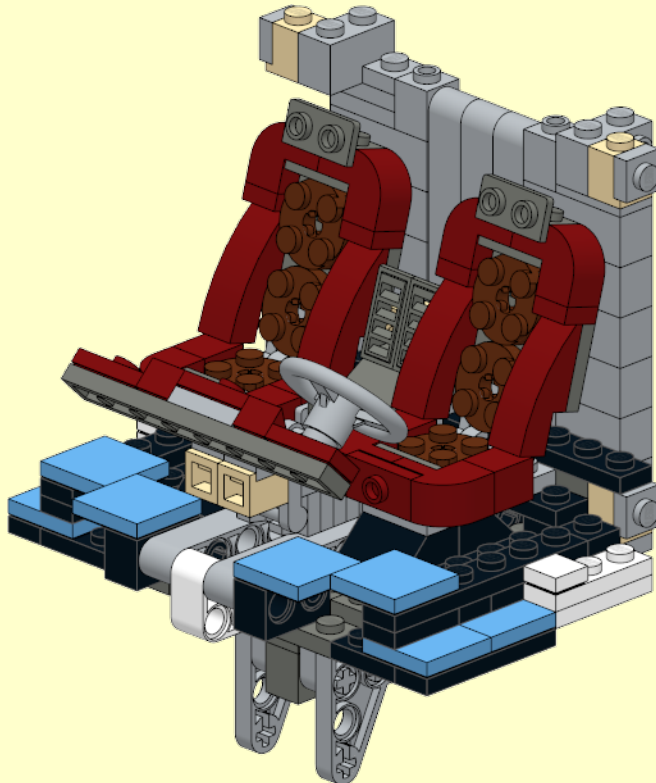
26

-  2x
-  2x

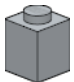

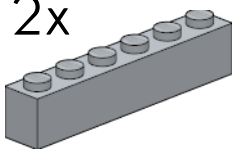


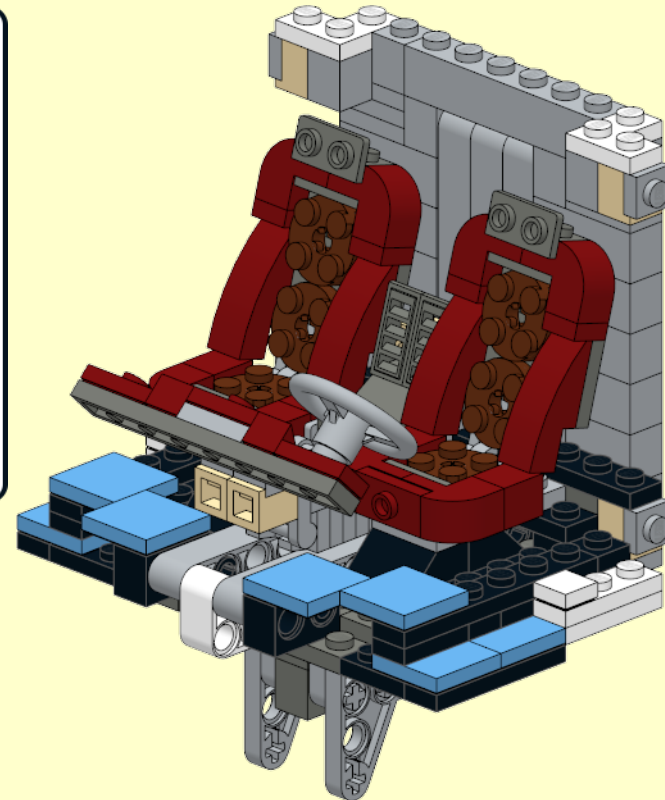
27

-  2x
-  2x

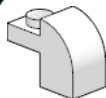
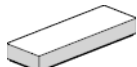
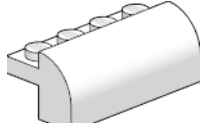
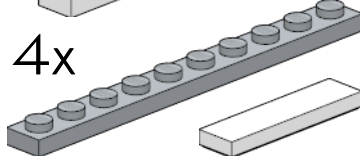
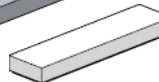


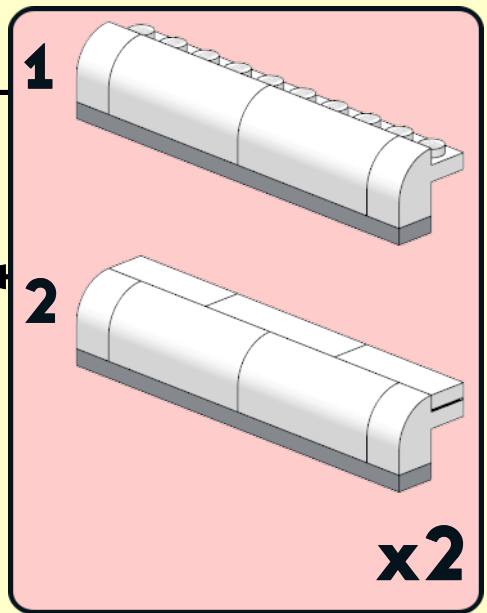
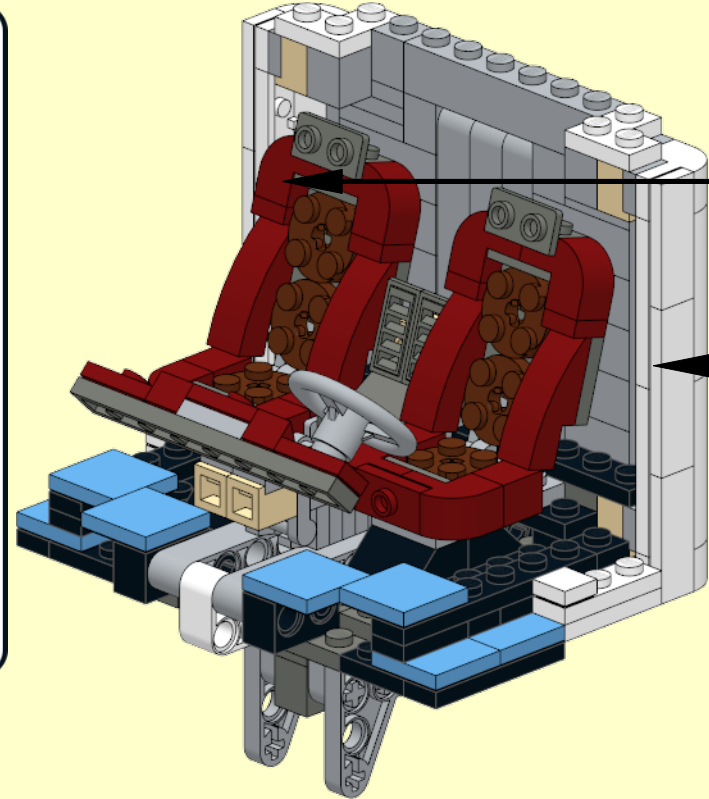
28

-  1x
-  2x
-  1x

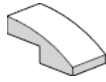
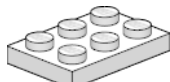


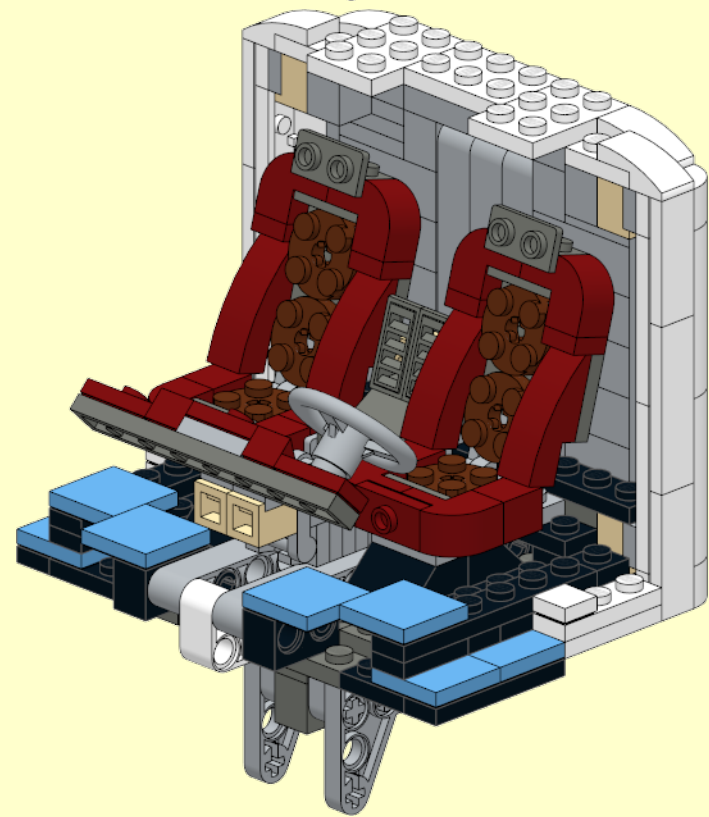
29

- 4x 
- 4x 
- 4x 
- 4x 
- 2x 

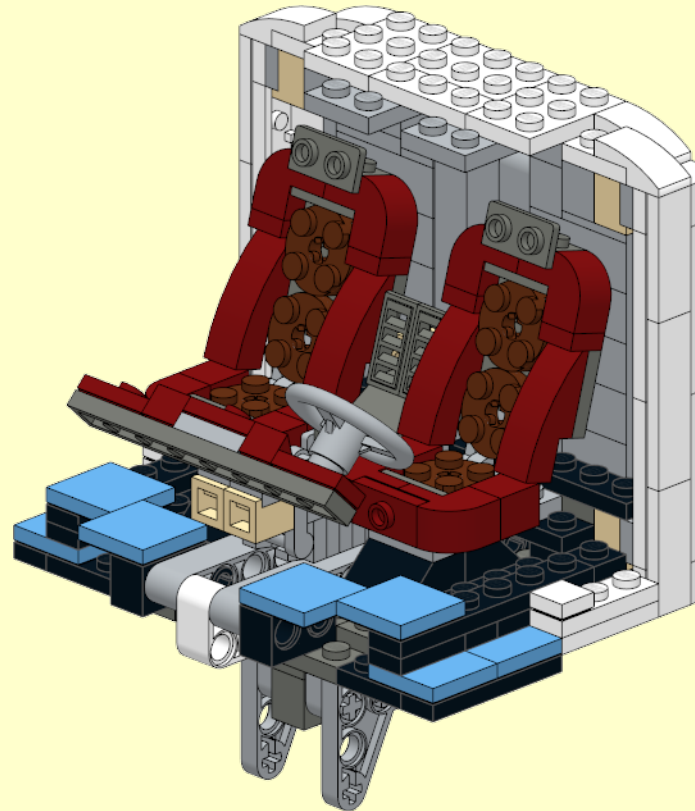
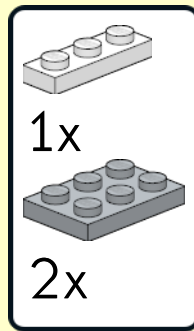


30

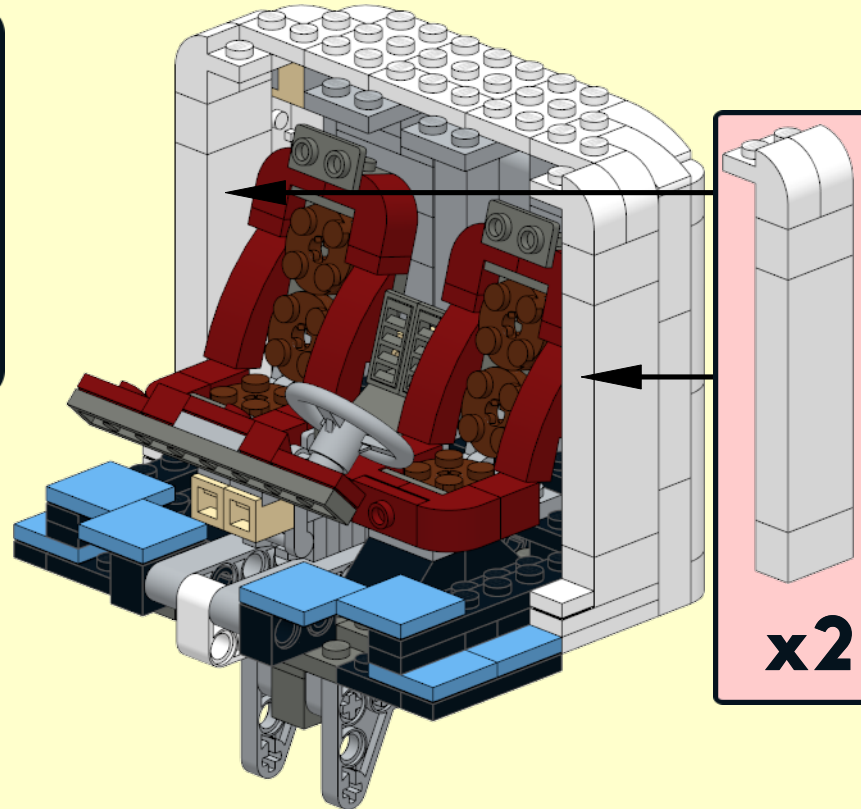
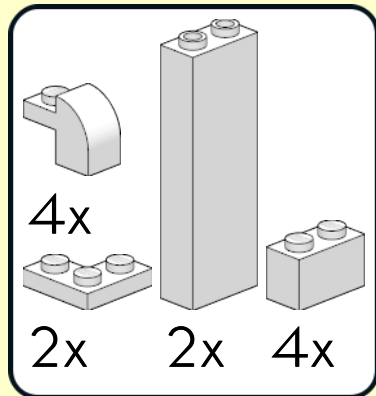
- 4x 
- 3x 



31

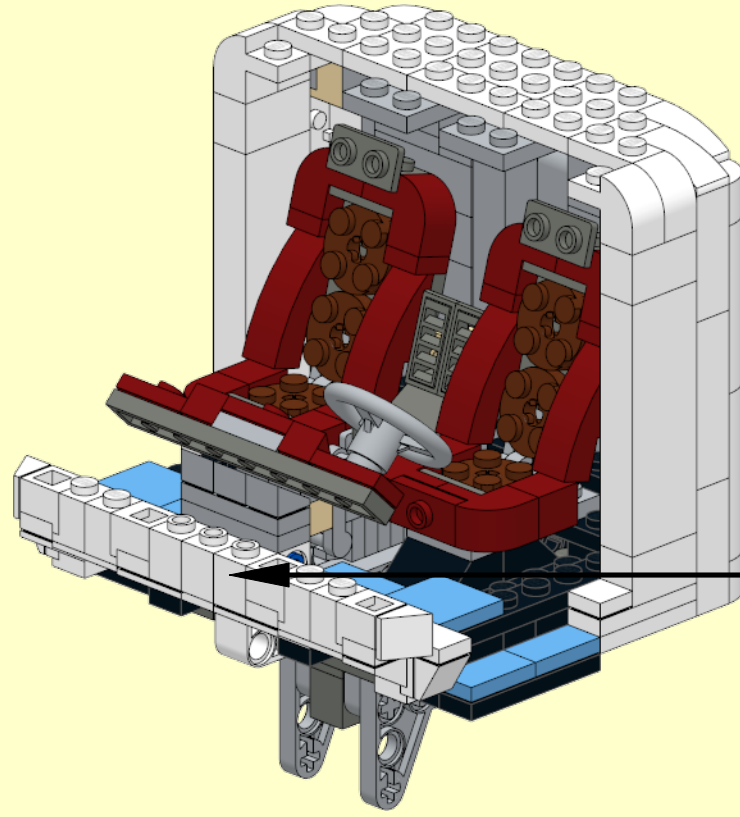


32



33

- 2x [1x3 grey Technic brick]
- 1x [1x blue Technic axle]
- 2x [1x white Technic brick]
- 3x [1x grey Technic wedge]
- 6x [1x white Technic 1-hole brick]
- 2x [1x grey Technic 1-hole brick]
- 2x [1x white Technic 1-hole brick]
- 10x [1x white Technic 2-hole brick]
- 3x [1x grey Technic 2-hole brick]
- 6x [1x white Technic 2-hole brick]



1 [1x grey Technic 2-hole brick with blue axle hole]

2 [1x grey Technic 2-hole brick with blue axle hole]

3 [1x grey Technic 2-hole brick with blue axle hole]

4 [1x grey Technic 2-hole brick with blue axle hole]

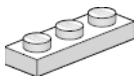
5 [1x grey Technic 2-hole brick with blue axle hole]

6 [1x grey Technic 2-hole brick with blue axle hole]

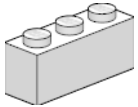
7 [1x grey Technic 2-hole brick with blue axle hole]

8 [1x grey Technic 2-hole brick with blue axle hole]

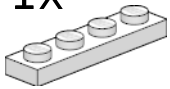
1



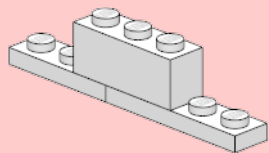
1x



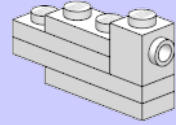
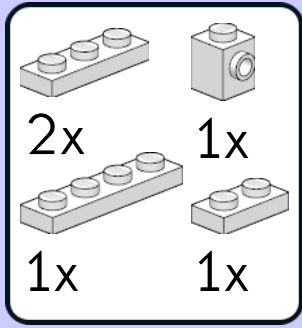
1x



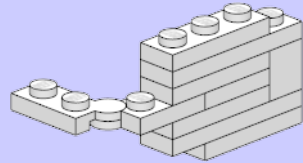
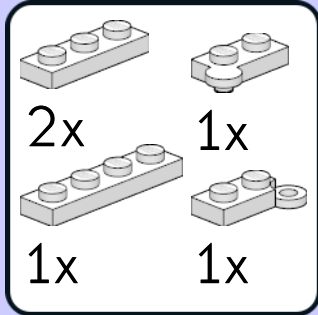
1x



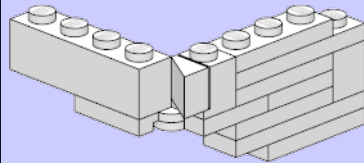
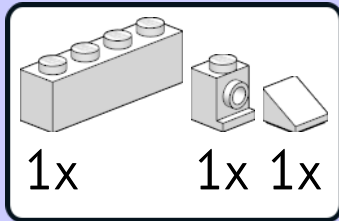
1



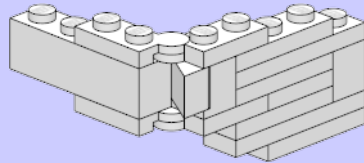
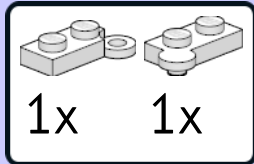
2



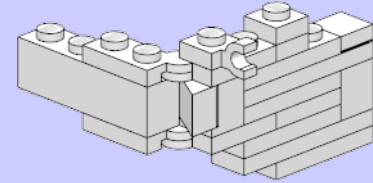
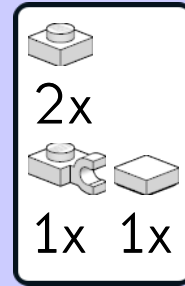
3



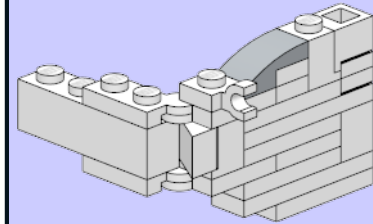
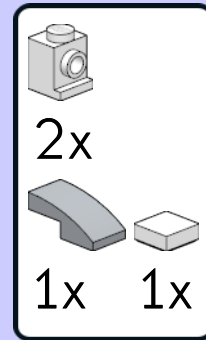
4



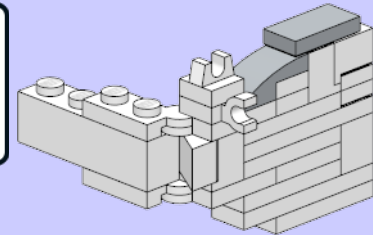
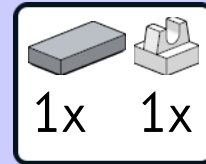
5



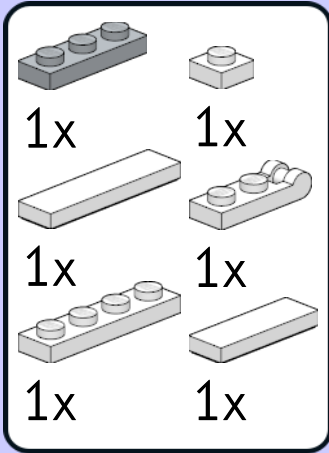
6



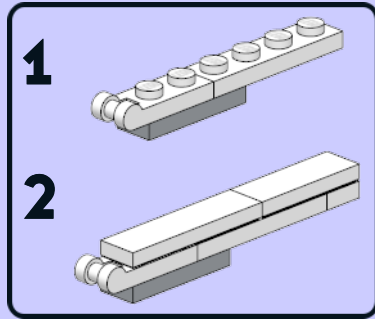
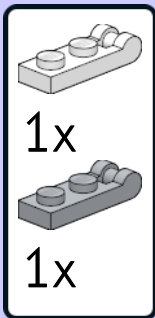
7



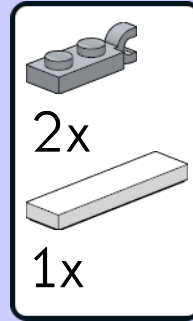
8



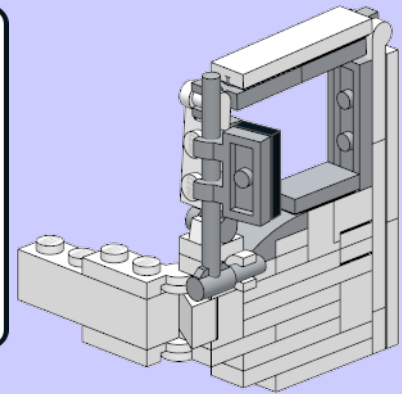
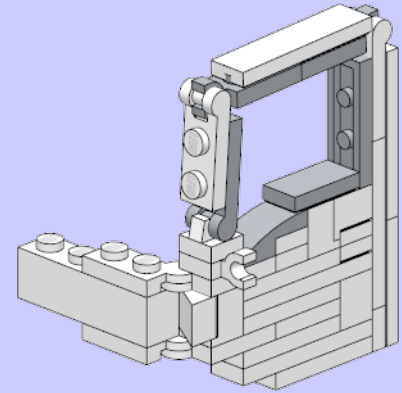
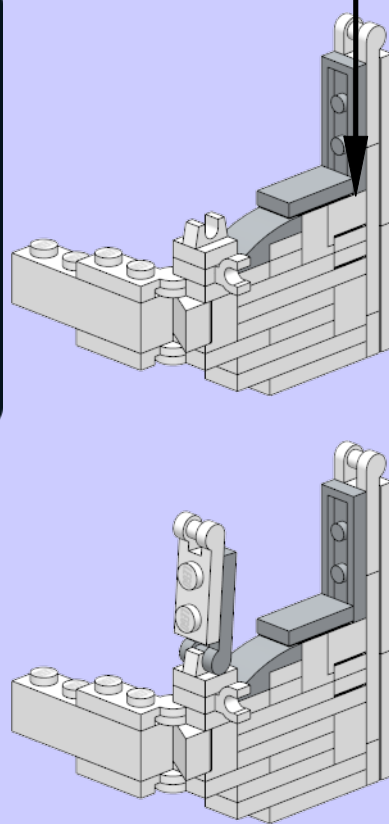
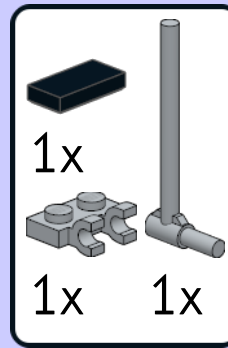
9



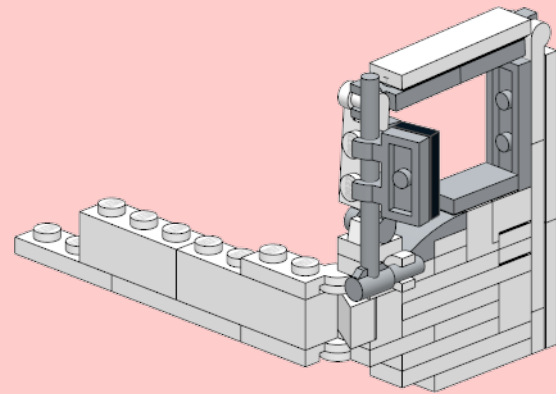
10



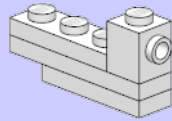
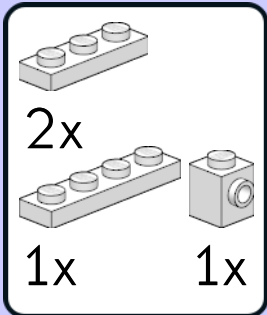
11



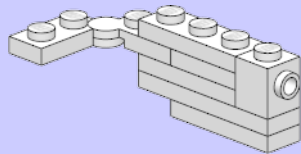
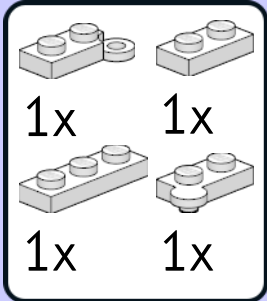
2



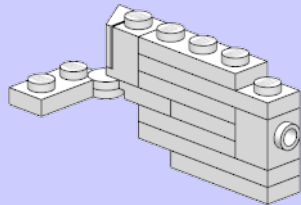
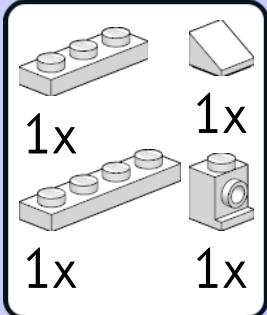
1



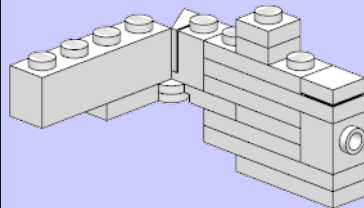
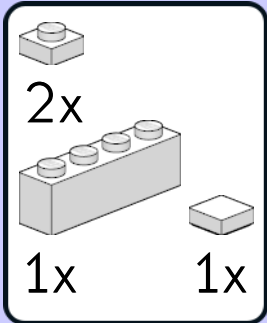
2



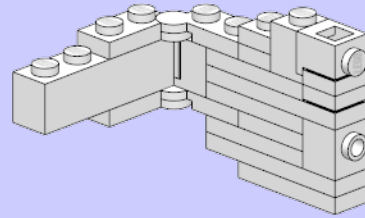
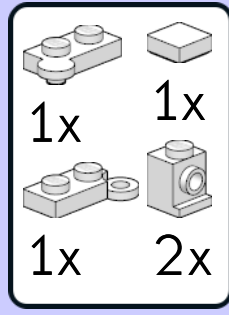
3



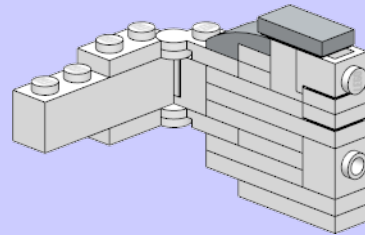
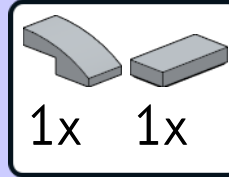
4



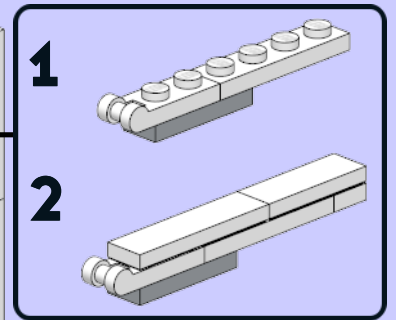
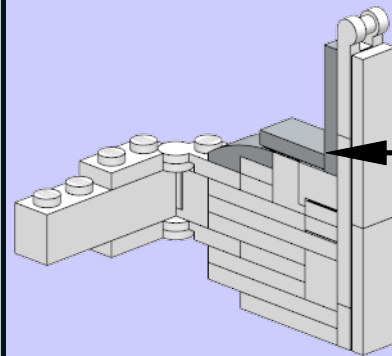
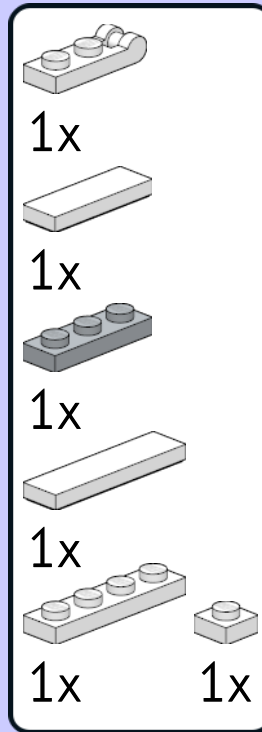
5



6



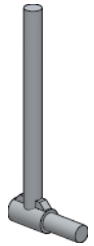
7



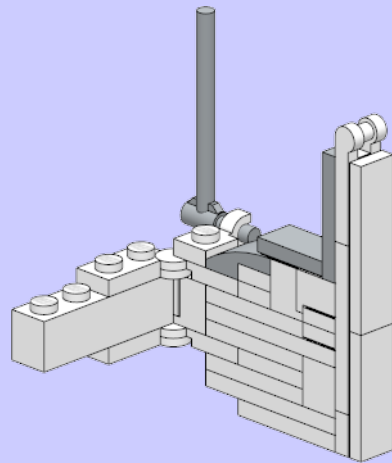
8



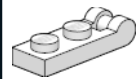
1x



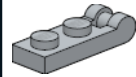
1x



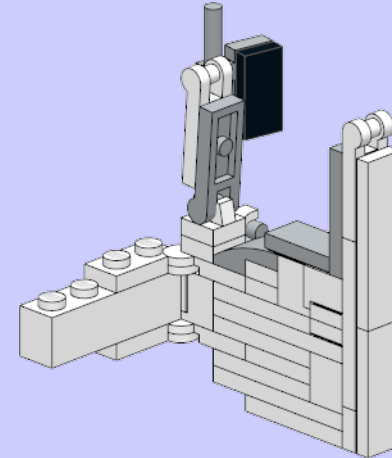
10



1x



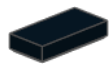
1x



9



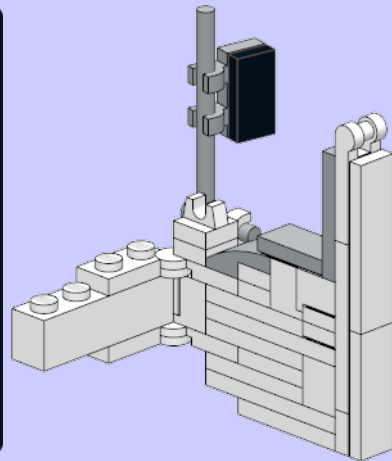
1x



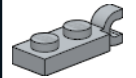
1x



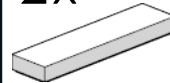
1x



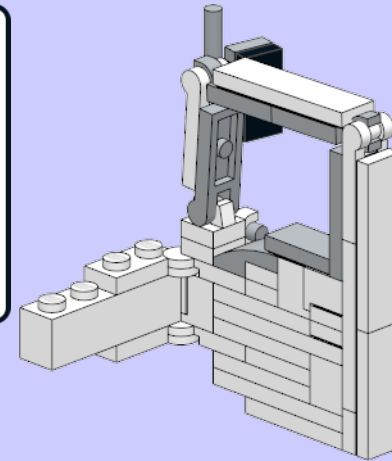
11



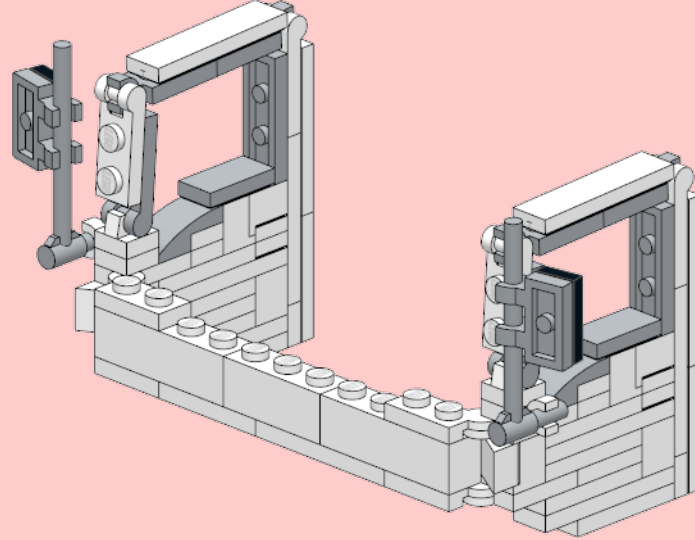
2x



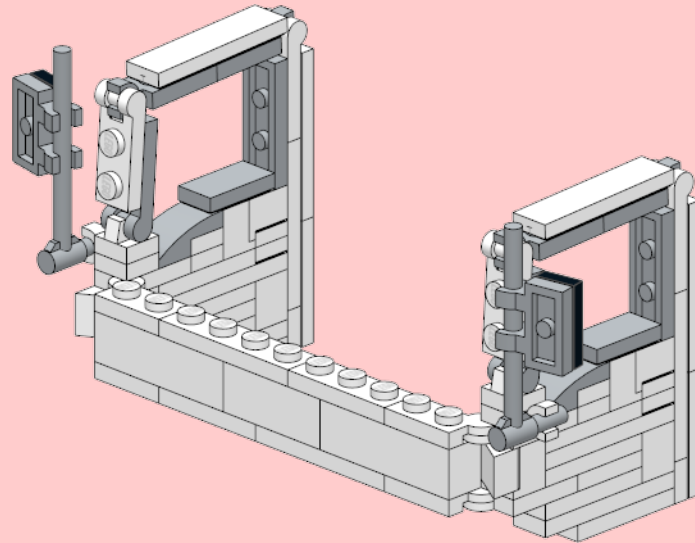
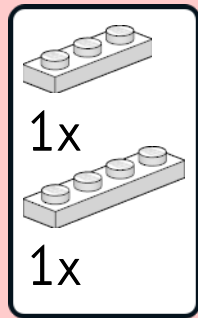
1x



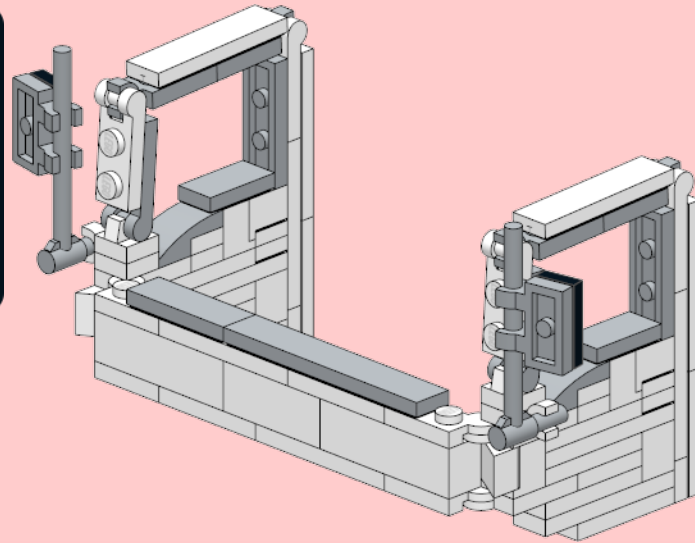
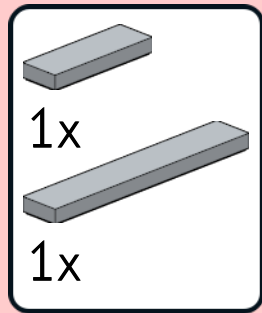
3

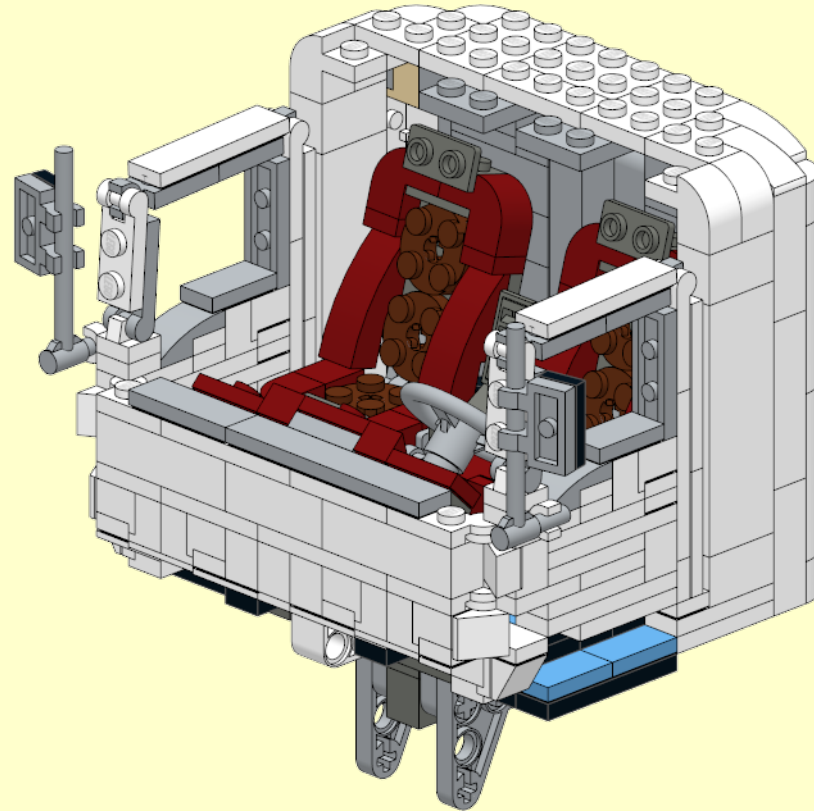


4

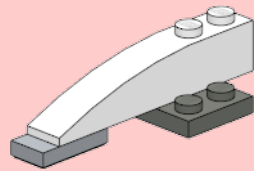
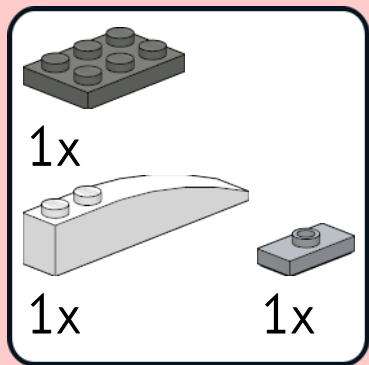


5

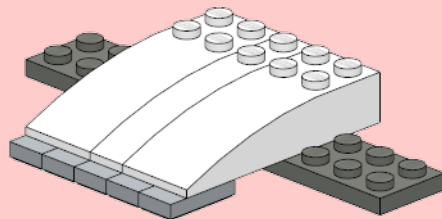
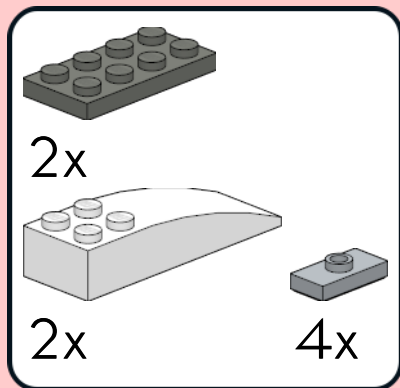




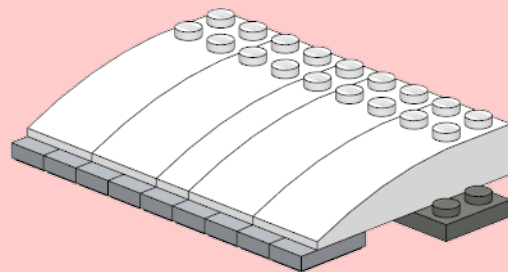
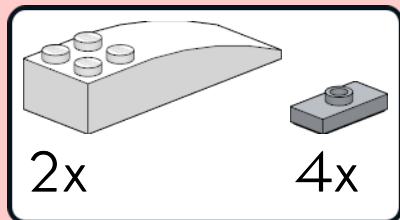
1



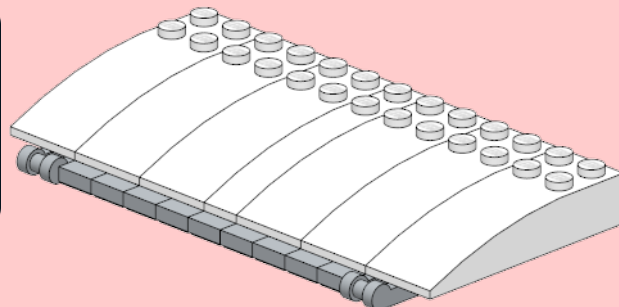
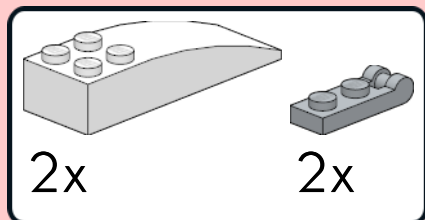
2



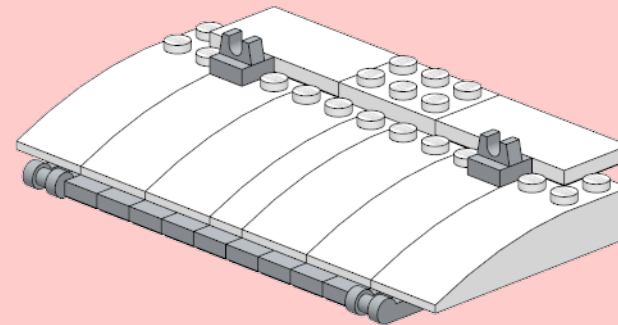
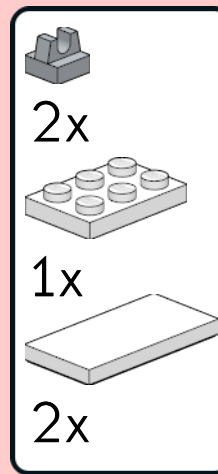
3



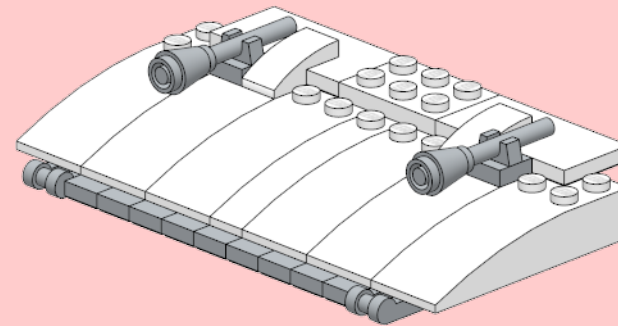
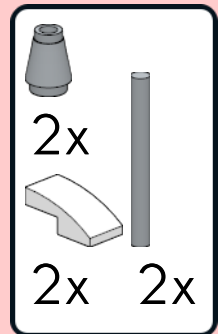
4



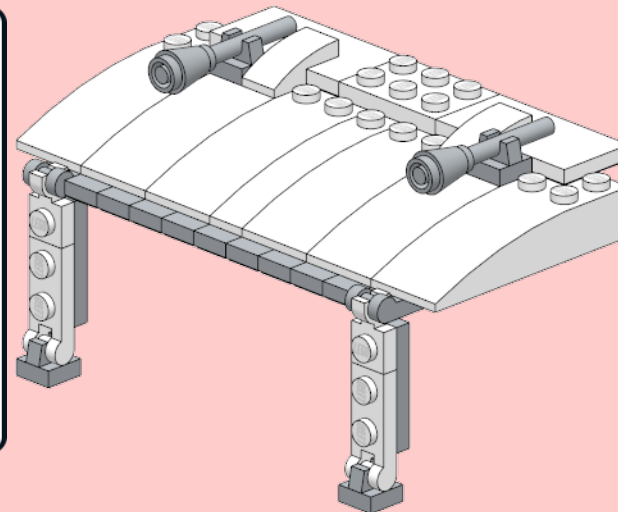
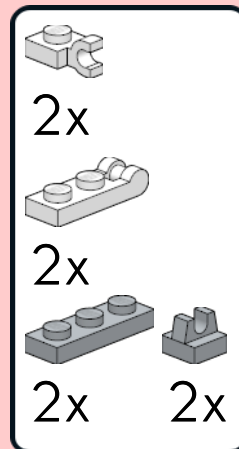
5

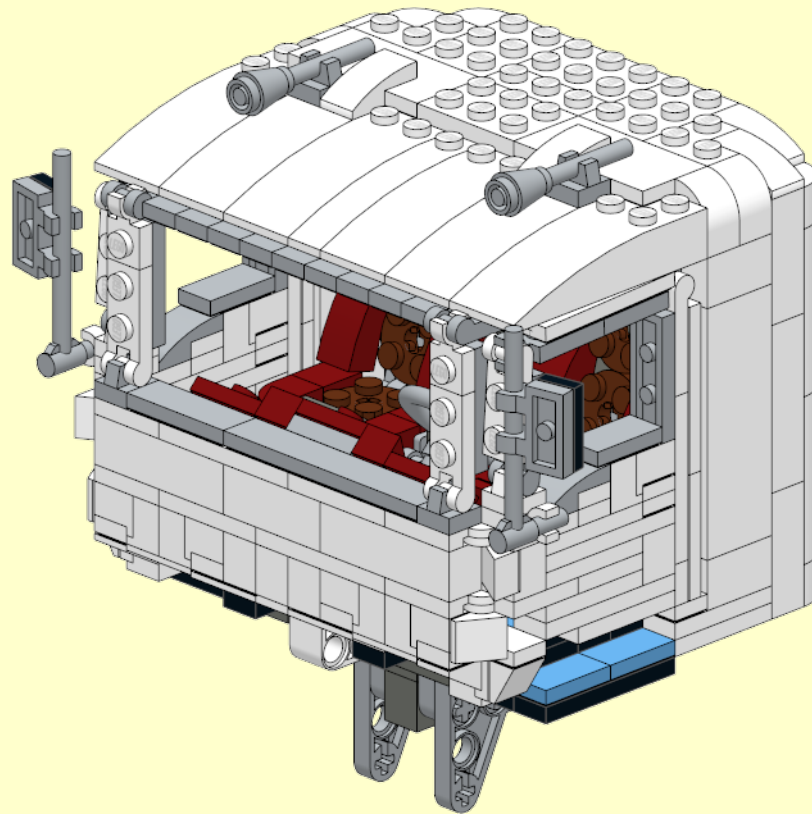


6



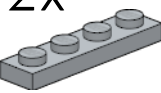
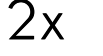


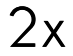




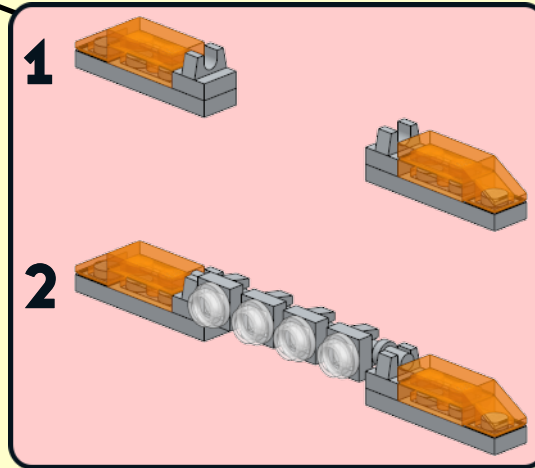
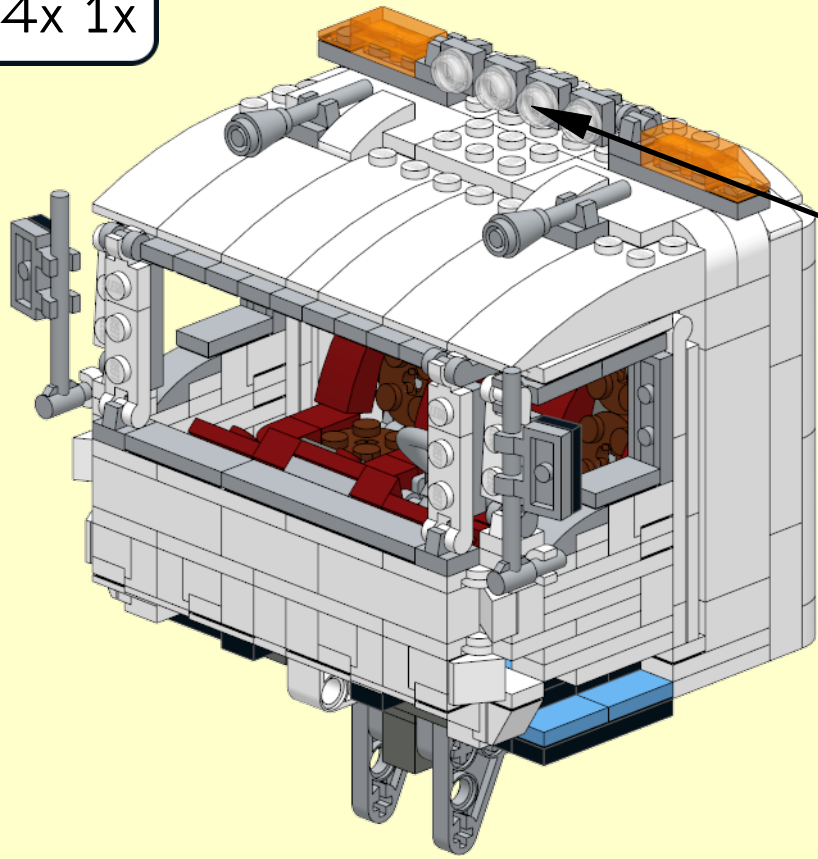
7

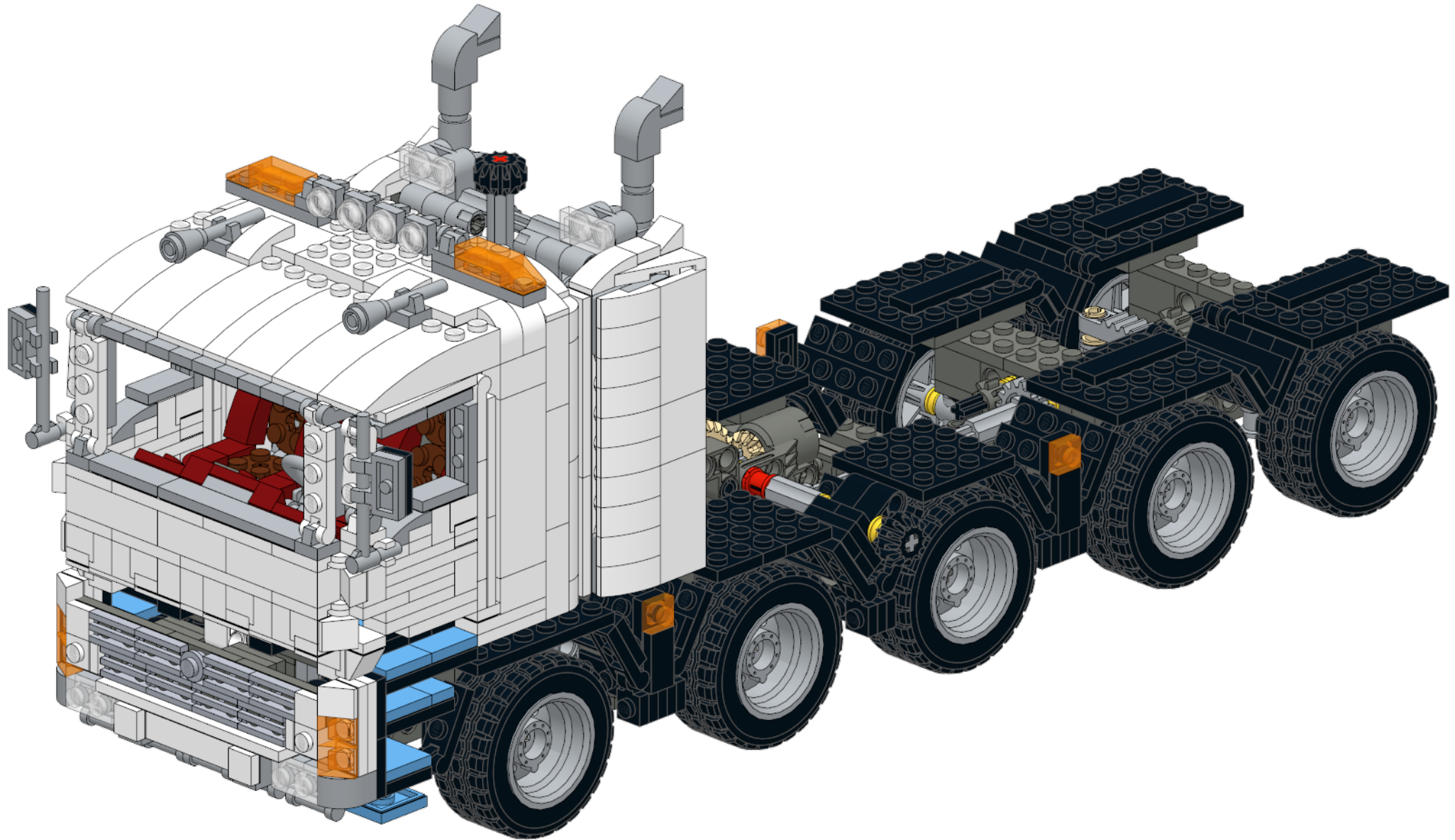




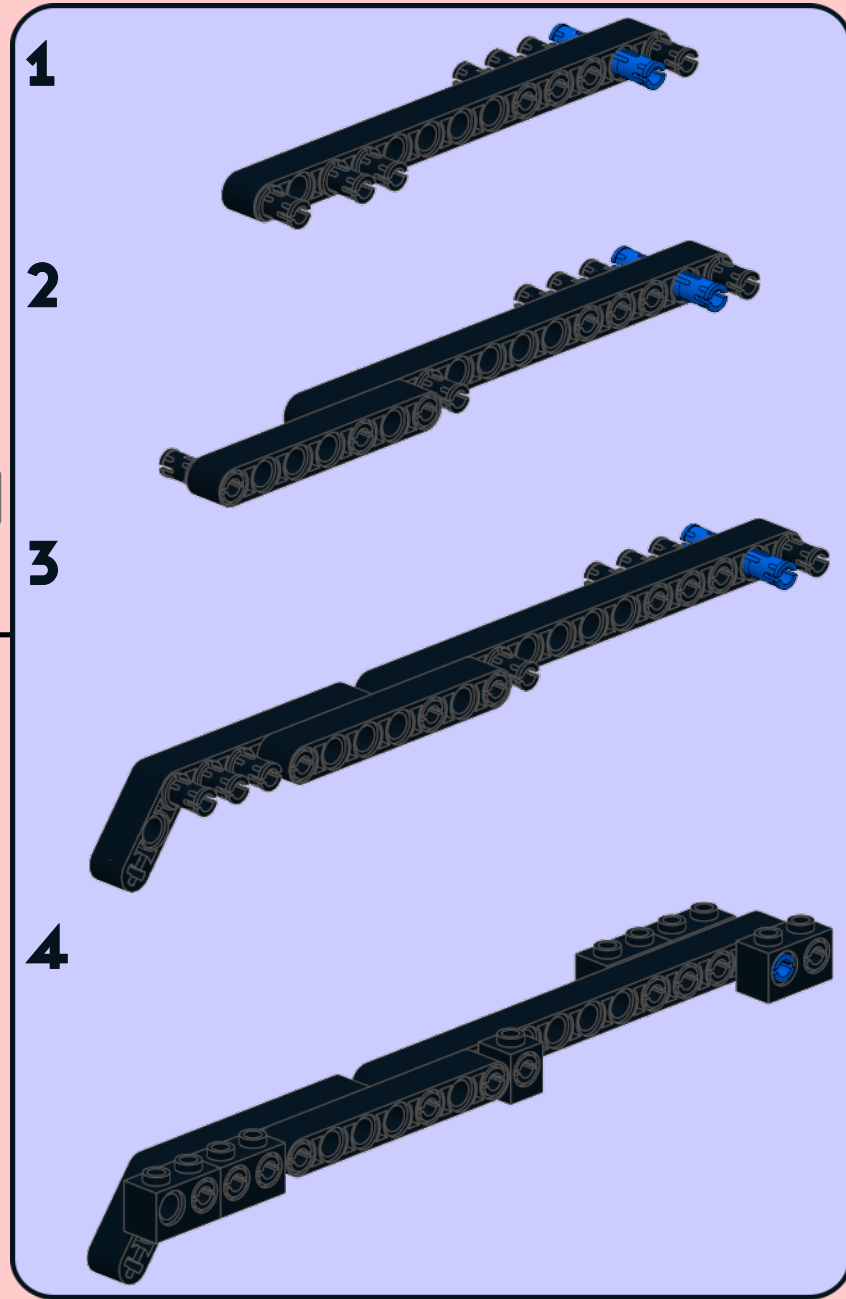
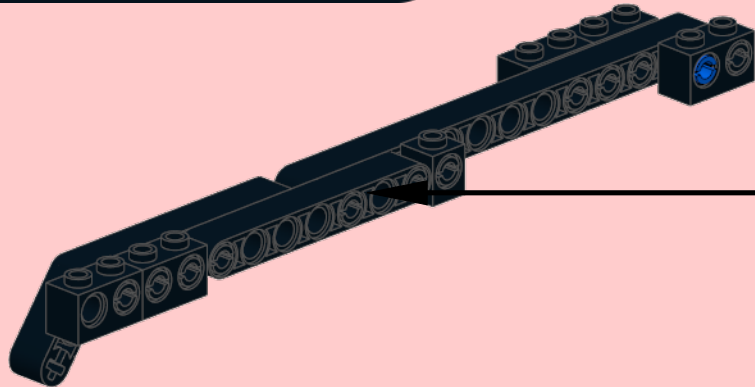
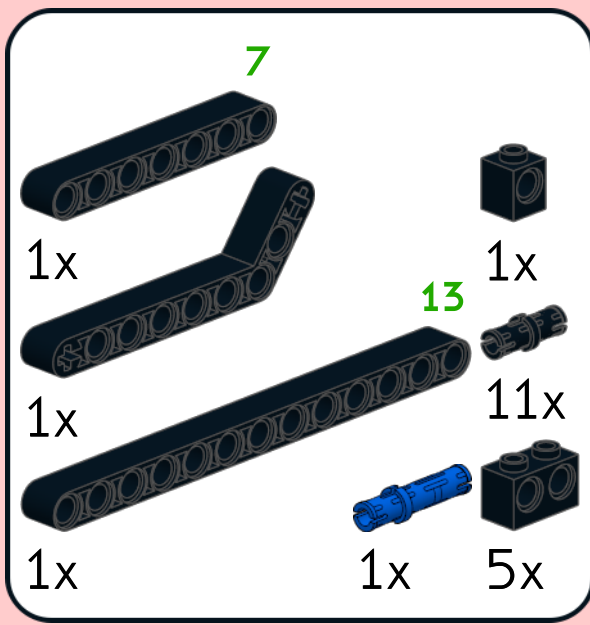
36

- 2x 
- 2x 
- 2x 
- 2x 
- 6x 
- 2x 
- 2x 
- 4x 
- 1x 

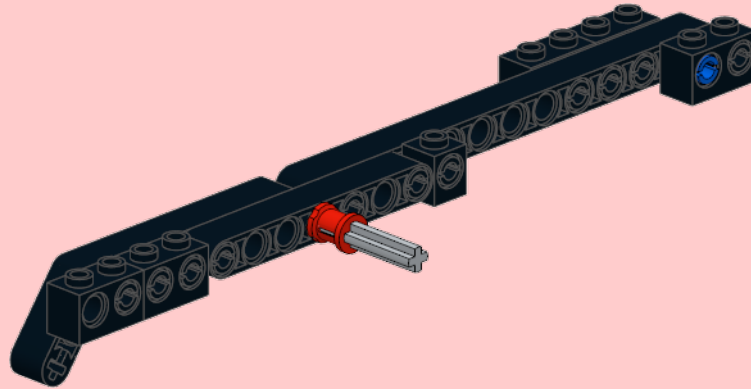
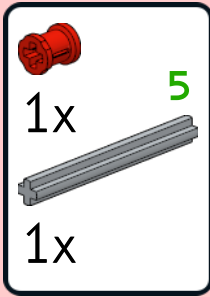




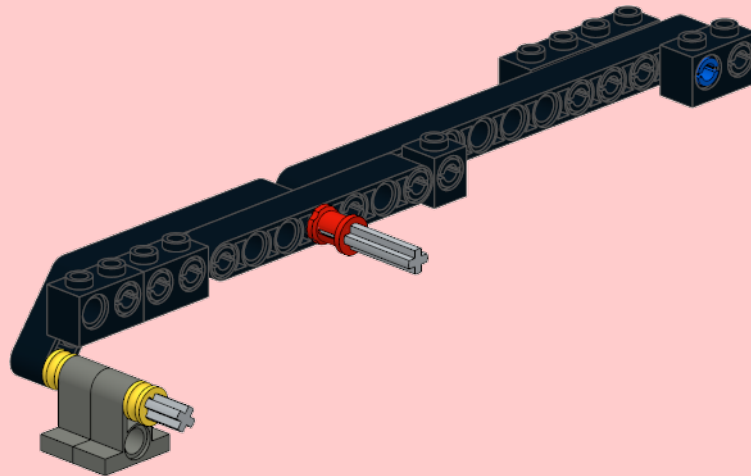
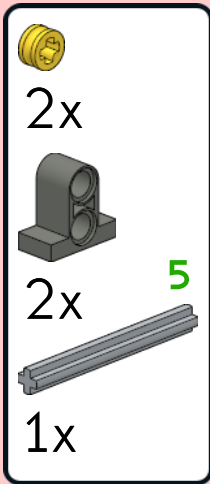
1



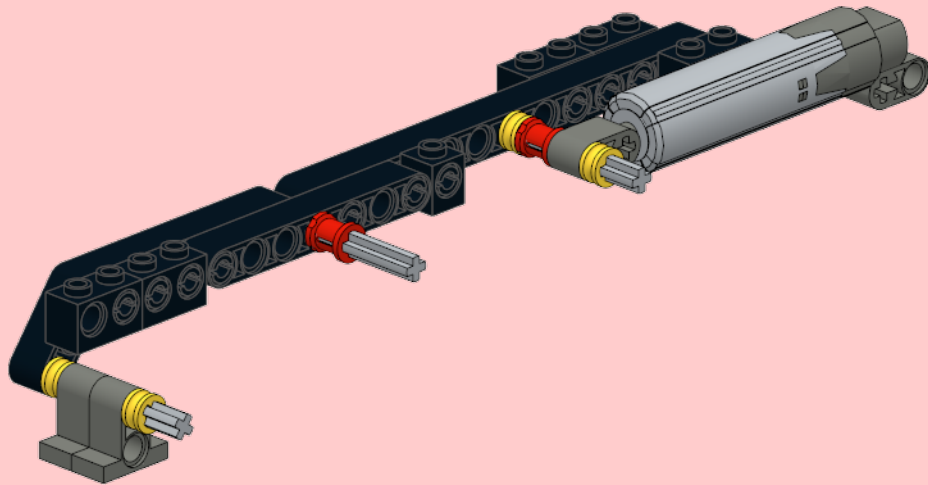
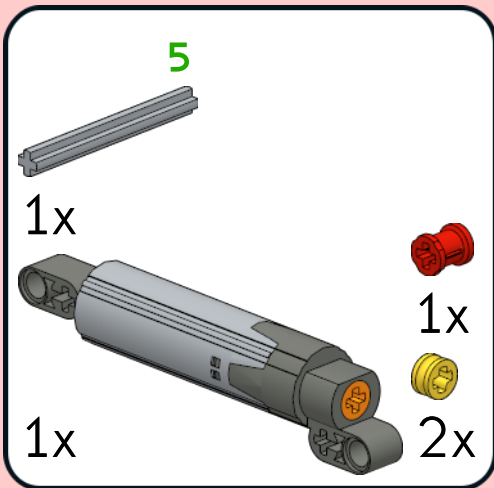
2



3

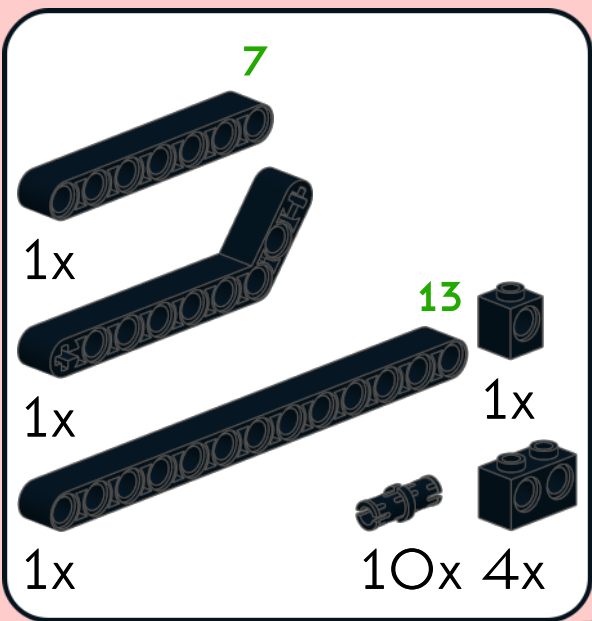


4

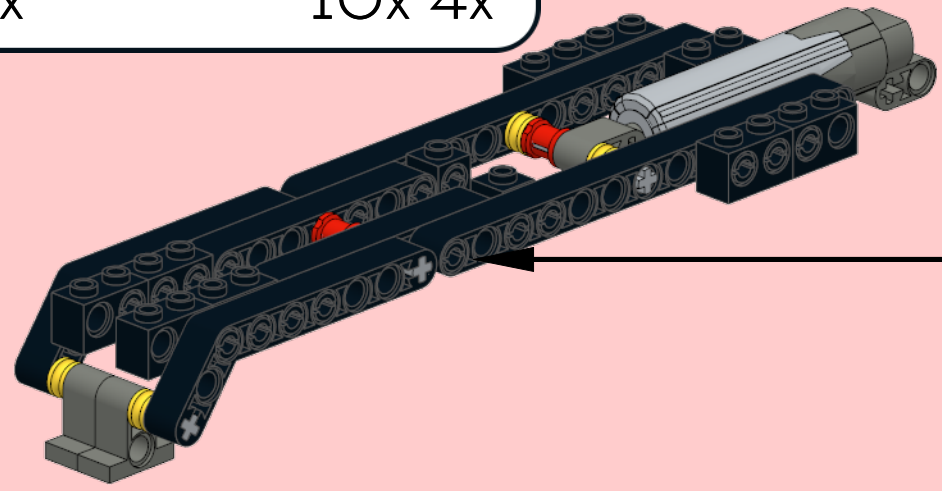


5

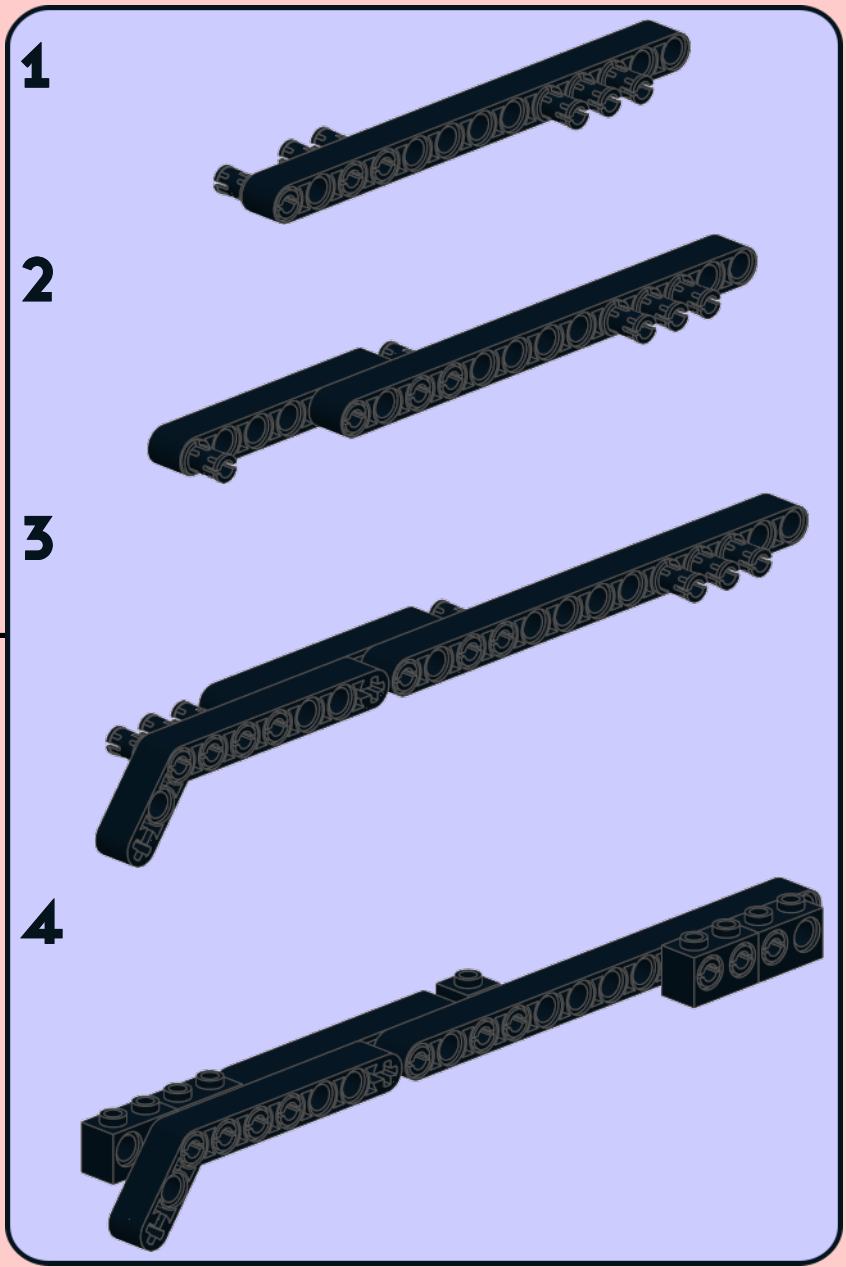
7
1x
1x
1x
13
1x
1x
10x 4x



A parts list for step 5. It includes: 1x black Technic beam of length 7 (labeled '7'); 1x black Technic beam of length 13 (labeled '13'); 1x black Technic axle pin; 1x black Technic axle pin; 10x black Technic axle pins (labeled '10x'); and 4x black Technic axle pins (labeled '4x').

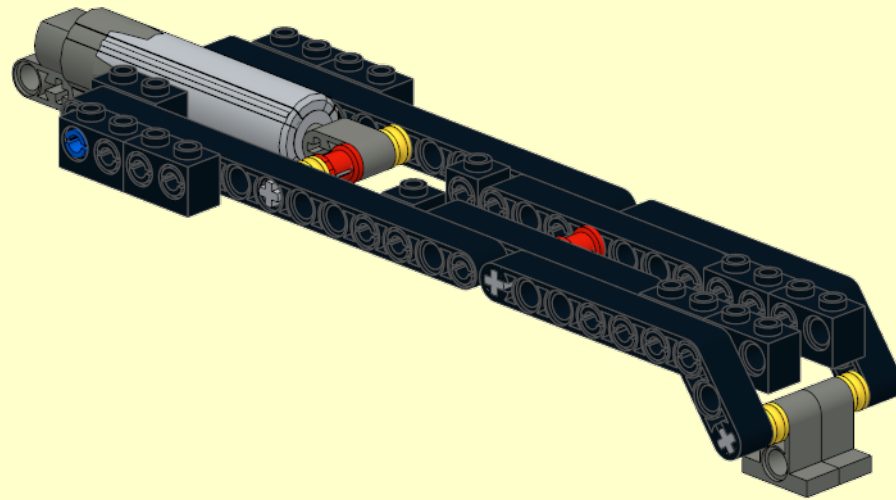


1
2
3
4

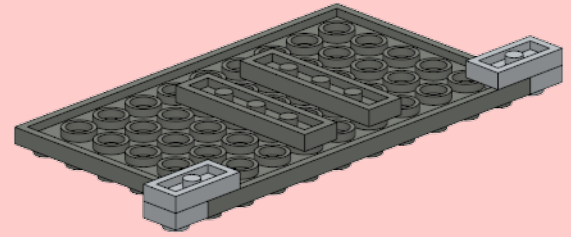
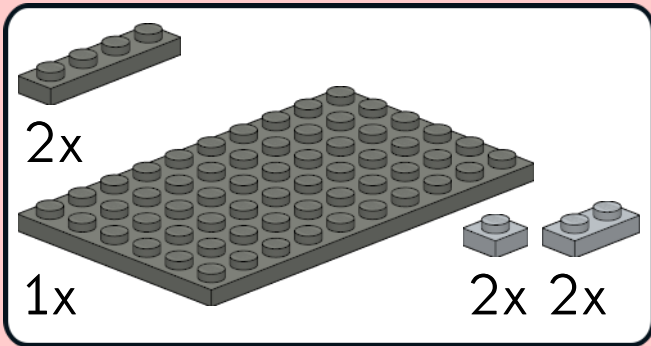


A sequence of four diagrams showing the assembly of the black Technic beam. Step 1 shows the beam with a grey axle pin inserted. Step 2 shows the beam with a black Technic beam of length 13 attached. Step 3 shows the beam with a black Technic beam of length 7 attached. Step 4 shows the final assembly with a black Technic beam of length 7 attached to the end of the main beam.

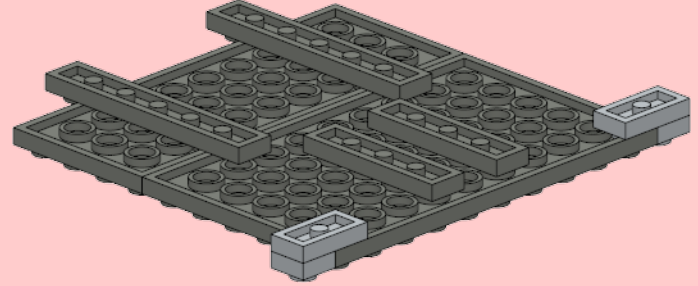
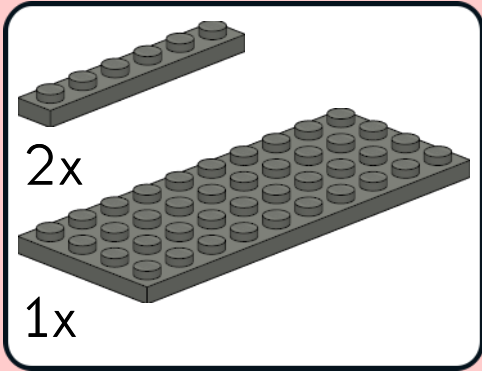
1



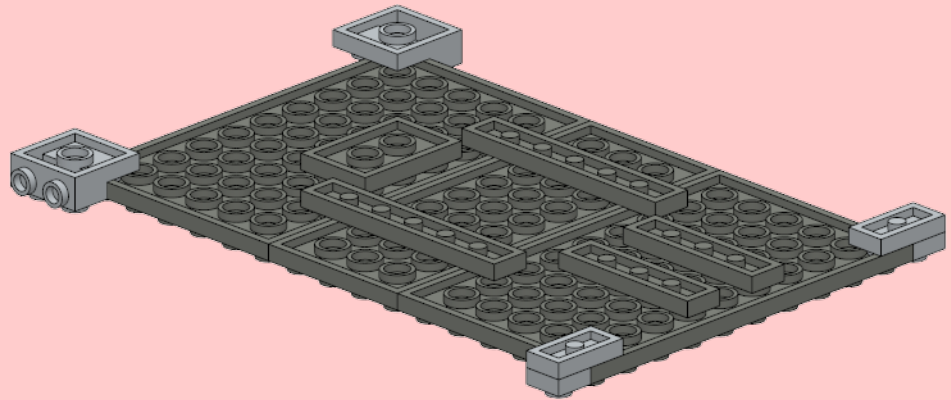
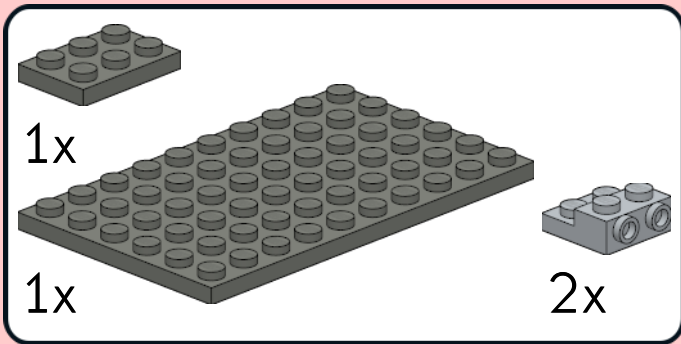
1



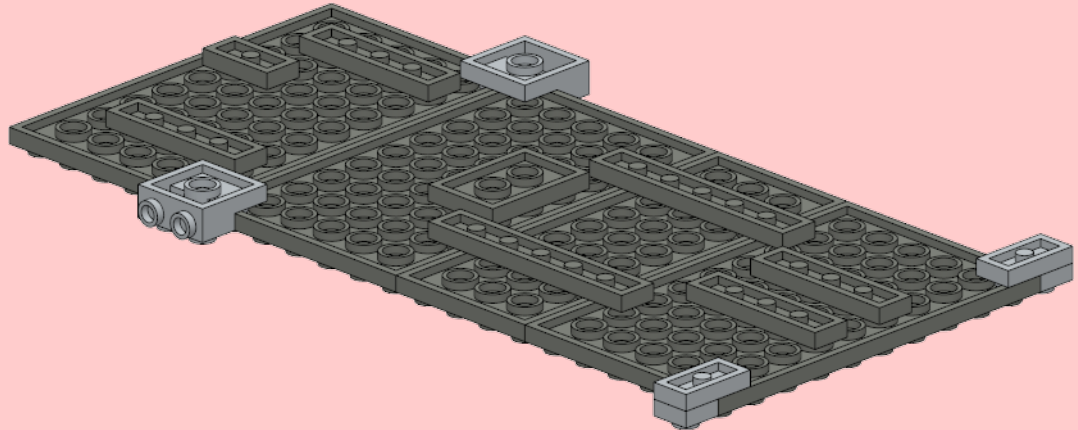
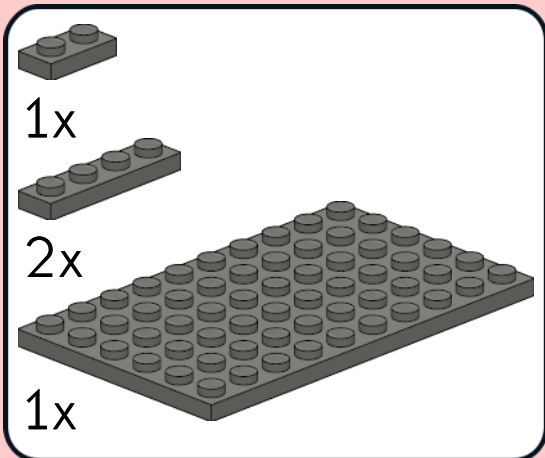
2



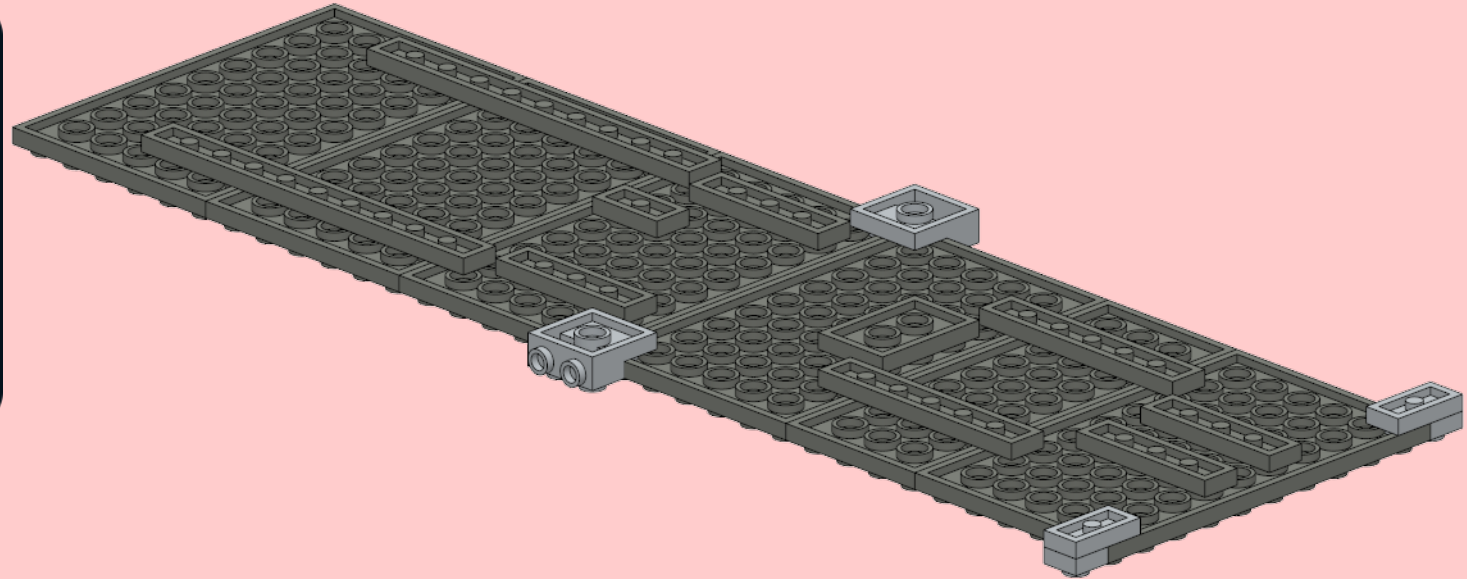
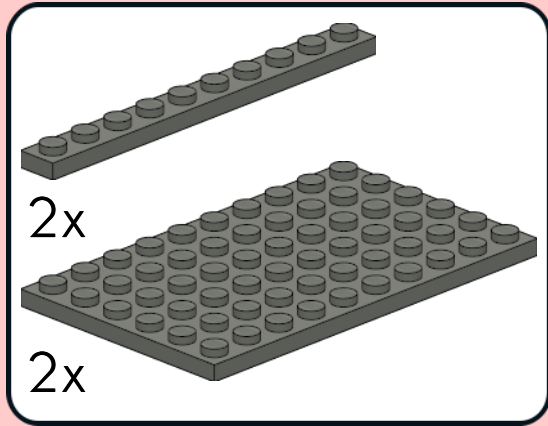
3



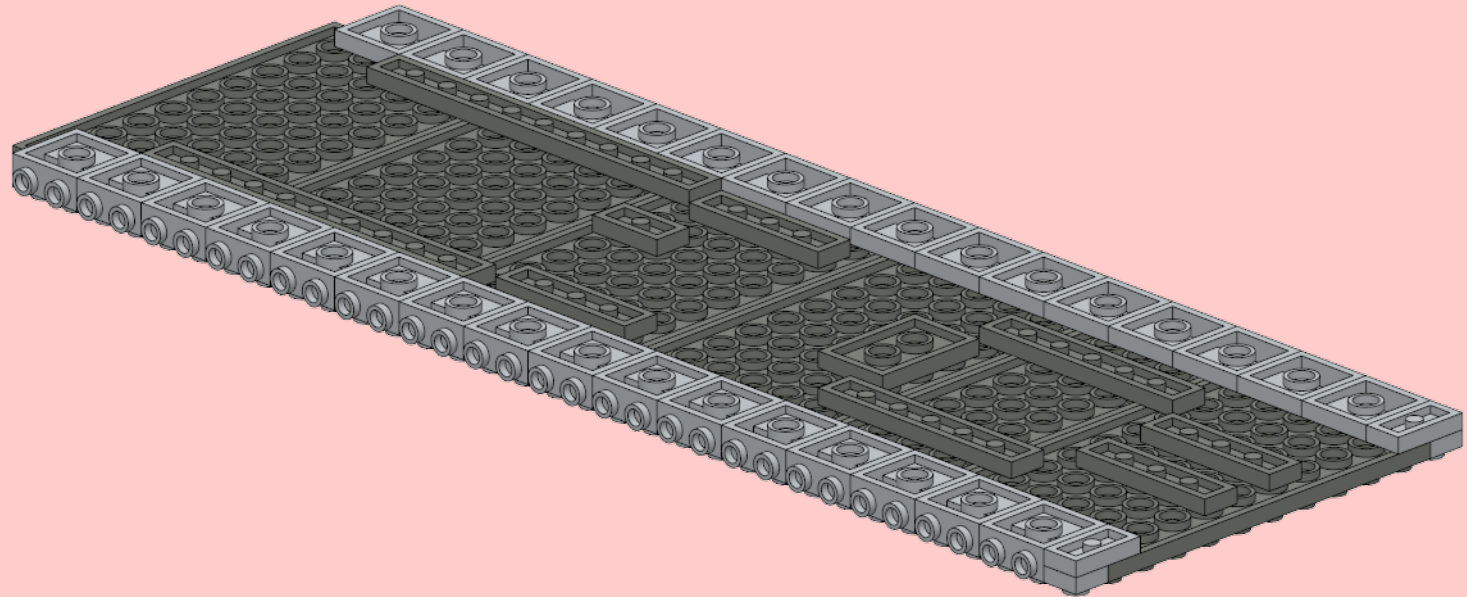
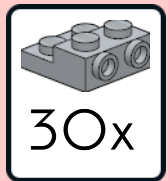
4



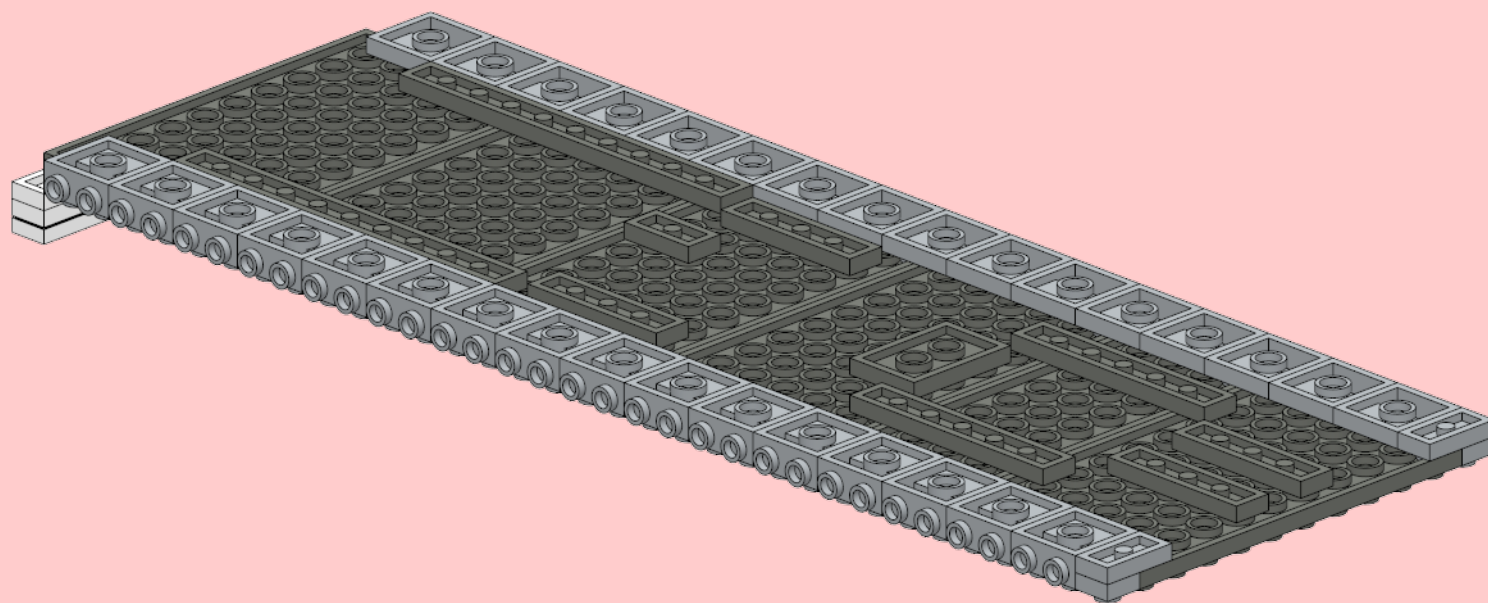
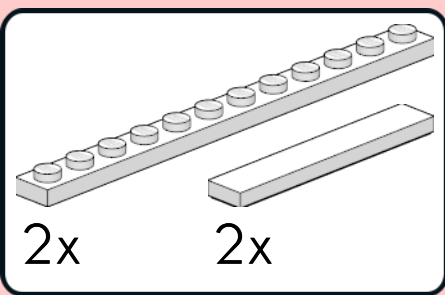
5



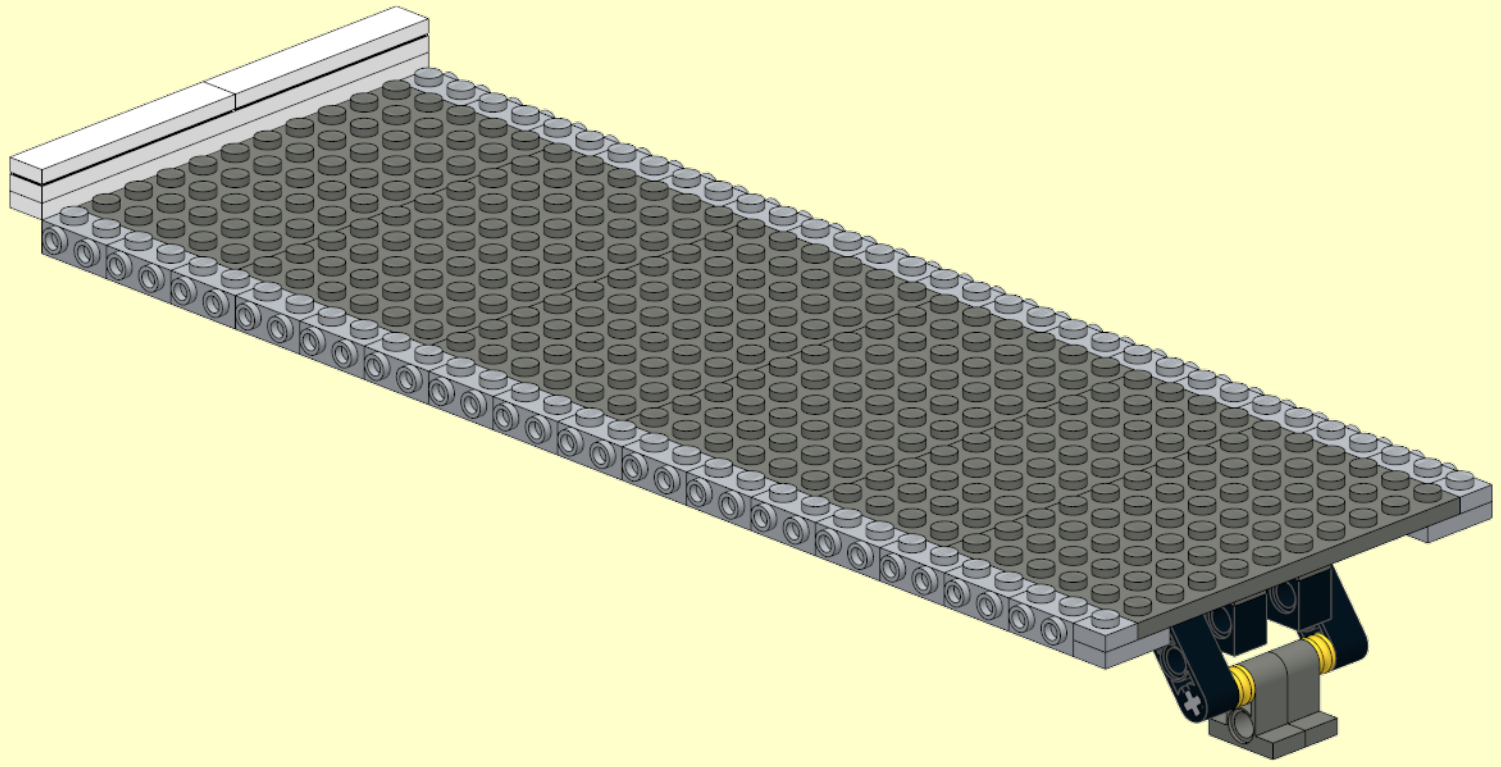
6

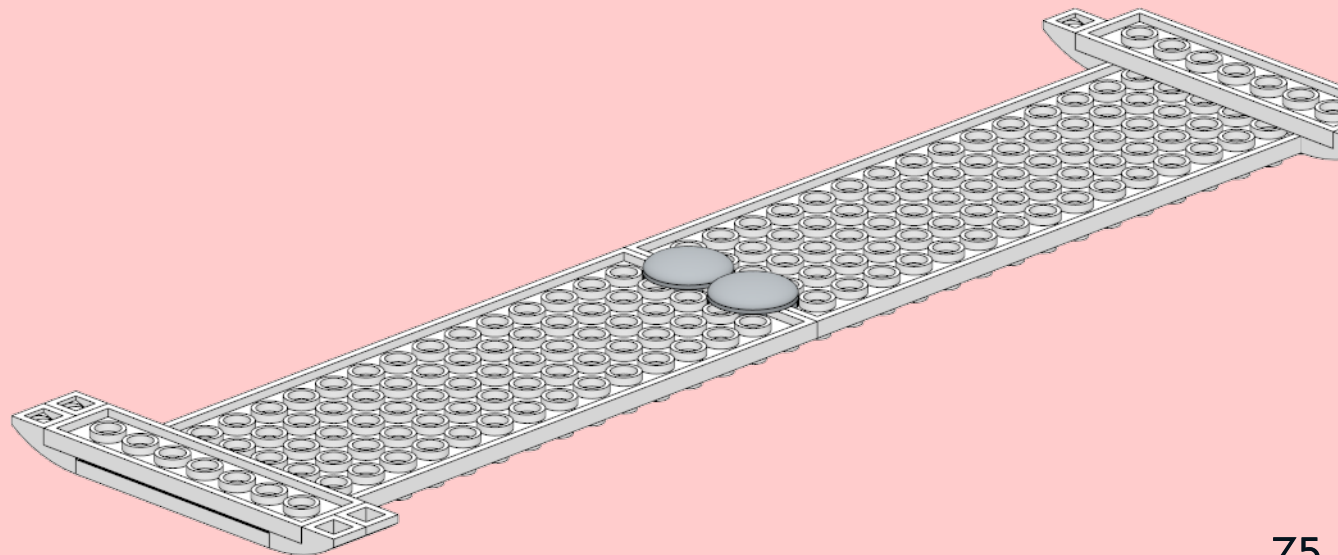
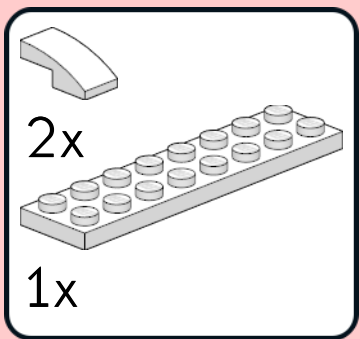
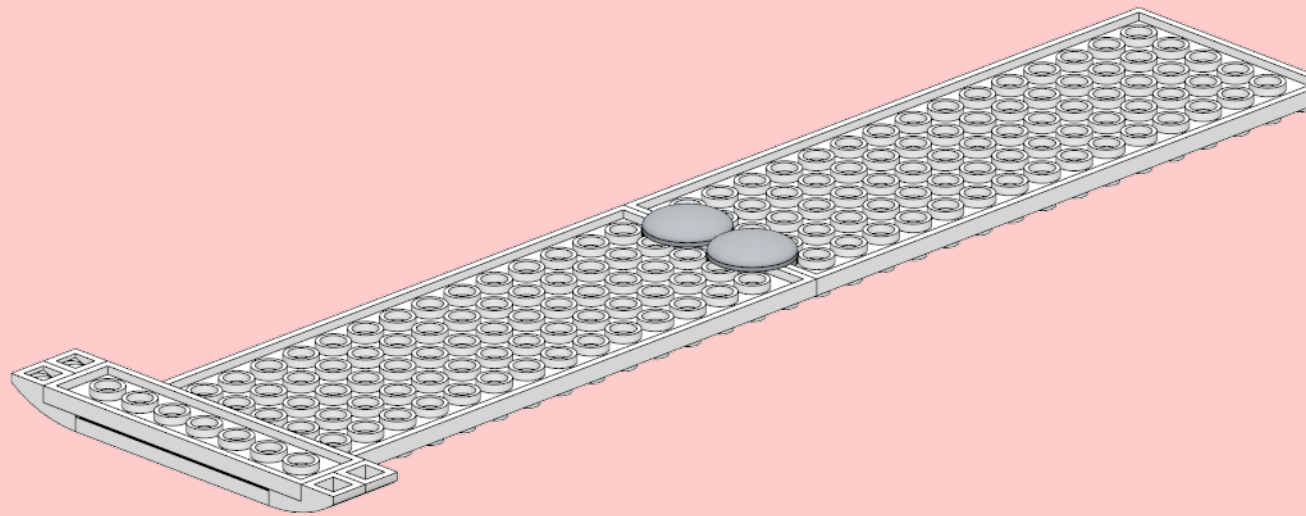
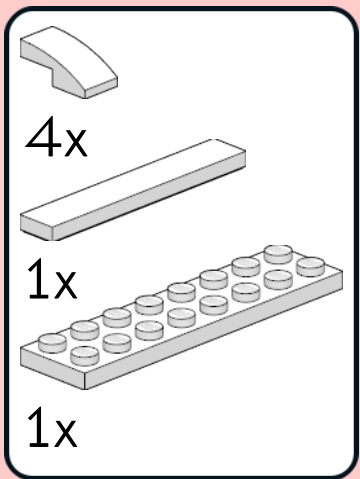
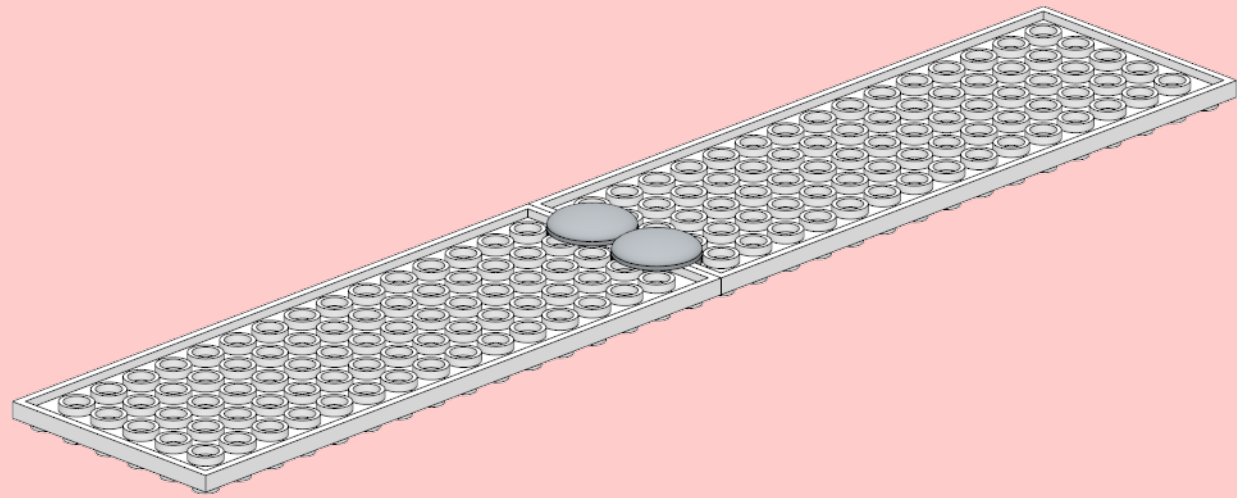
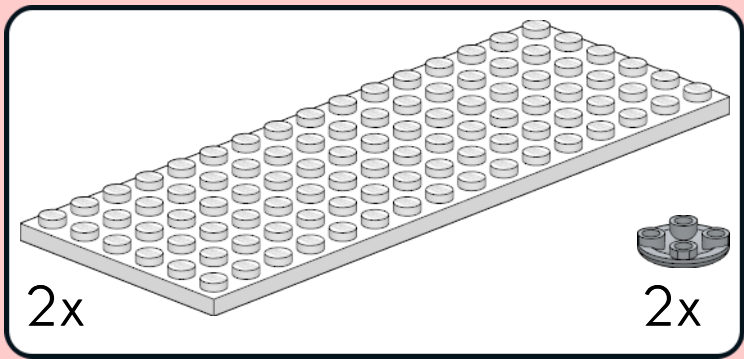


7

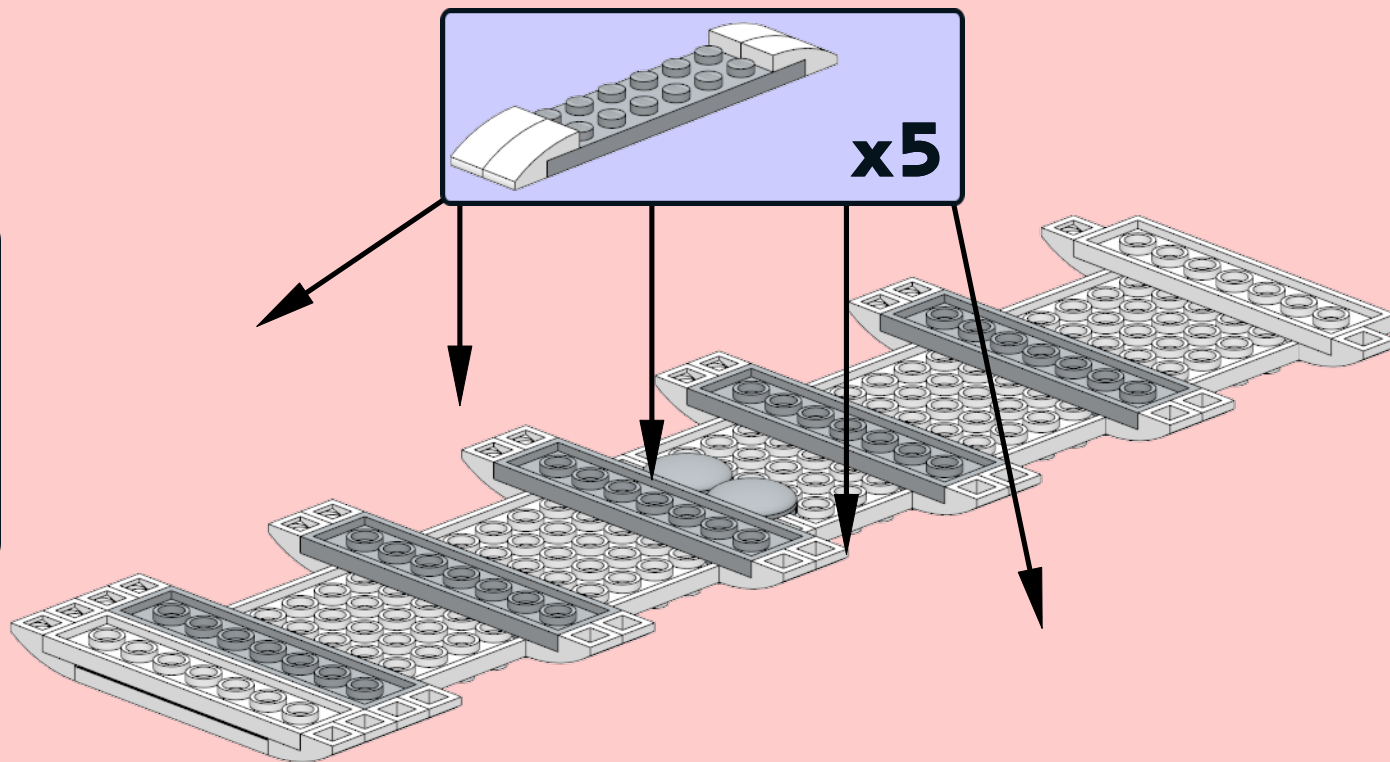
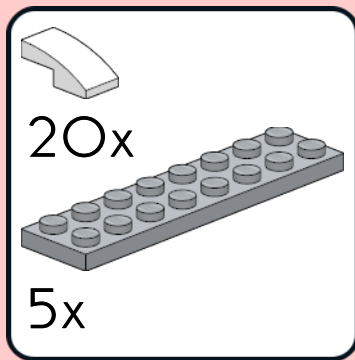


2

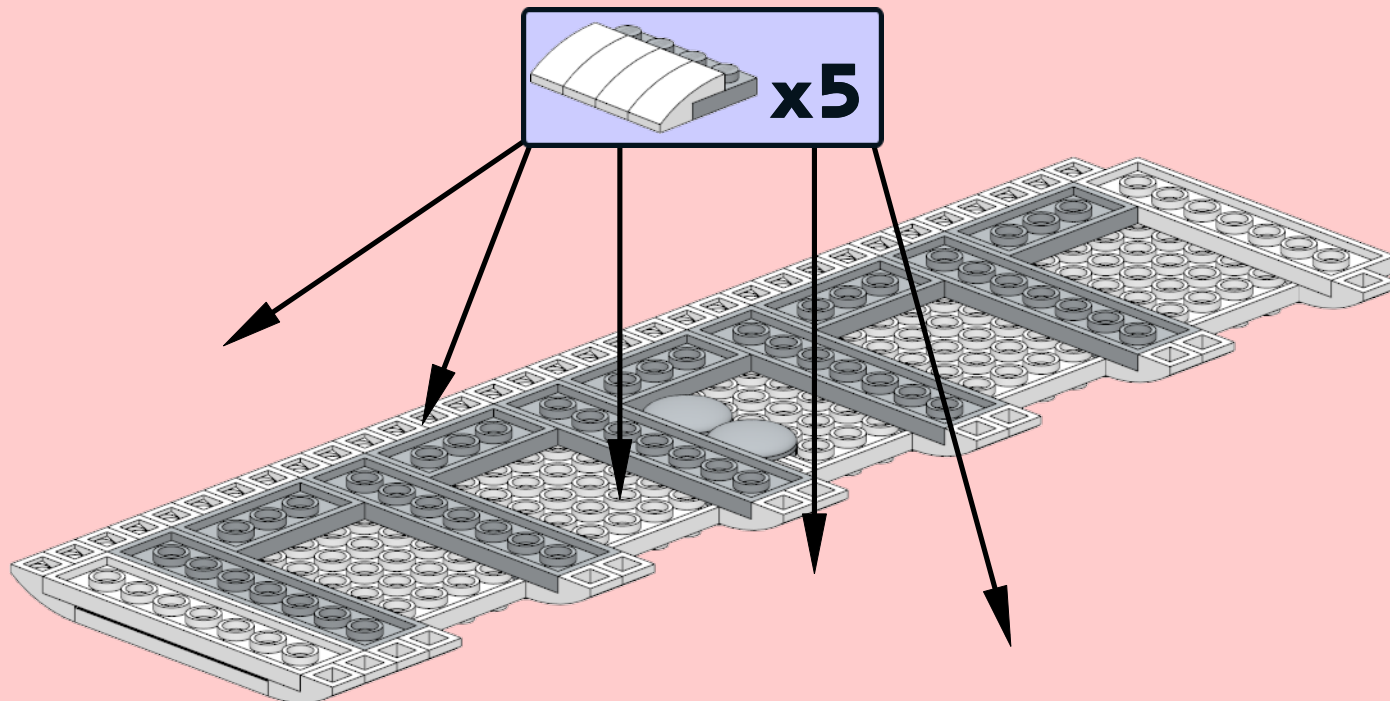
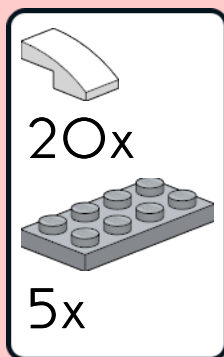




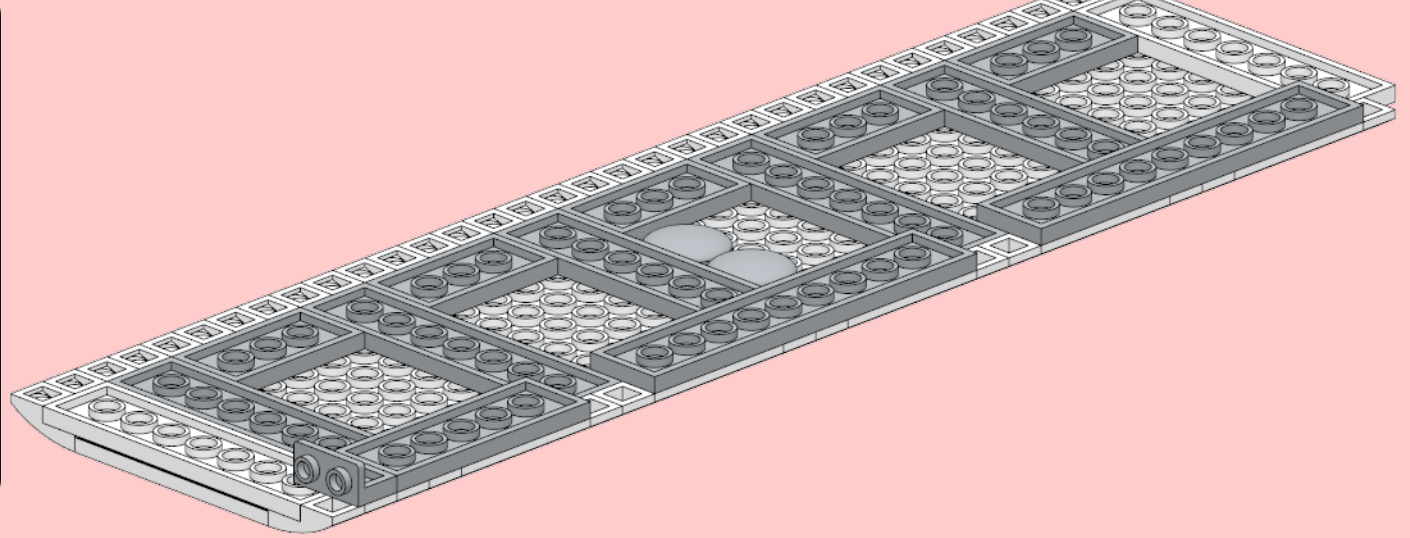
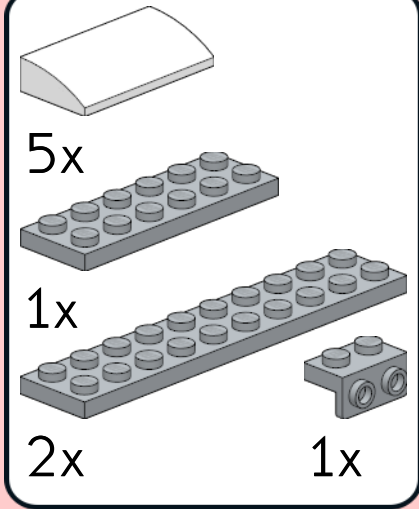
4



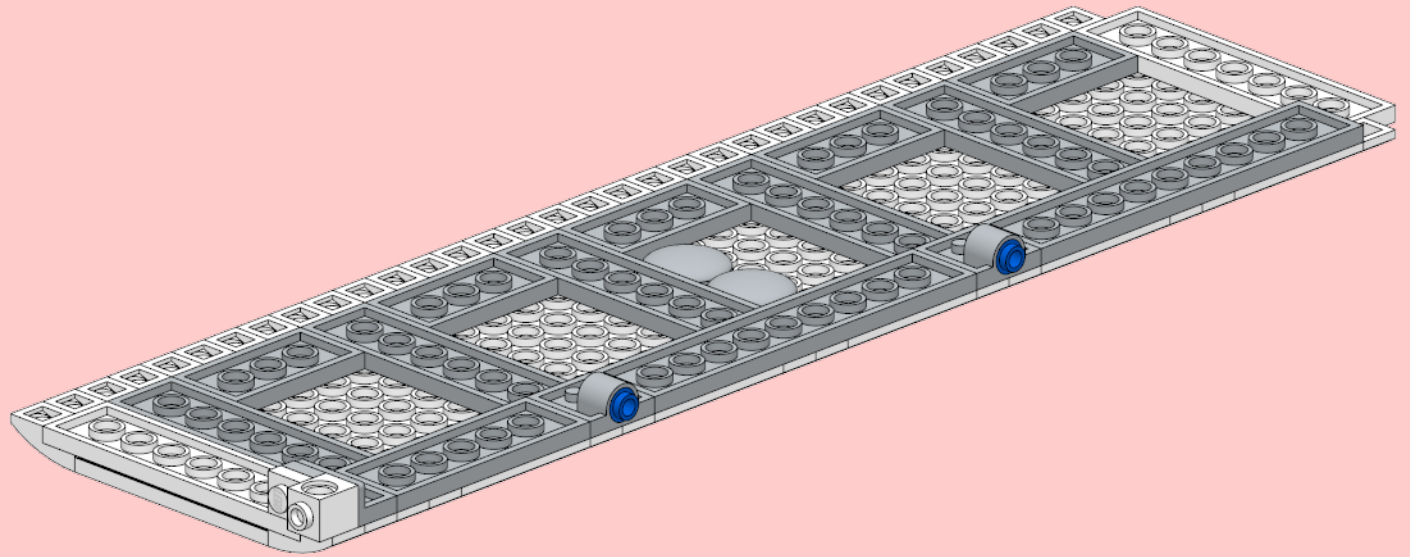
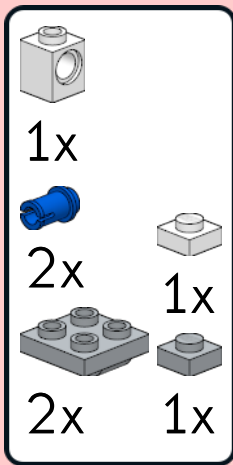
5



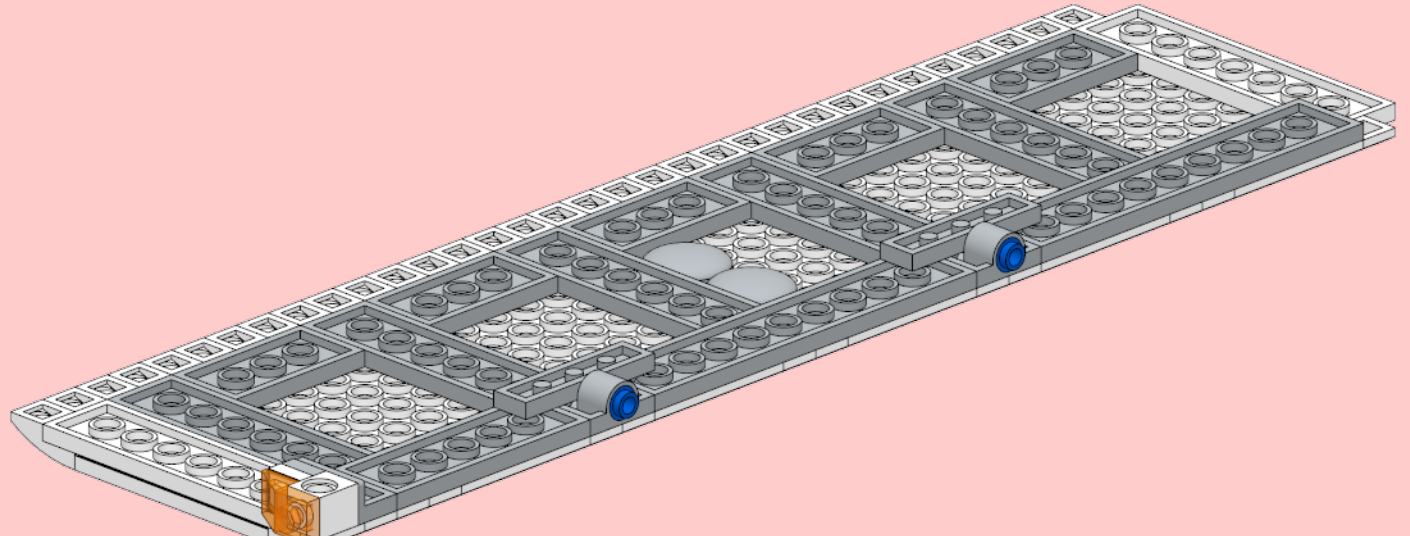
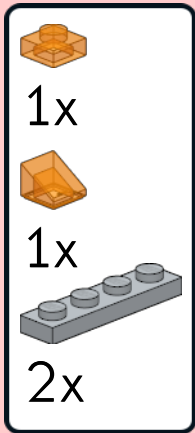
6



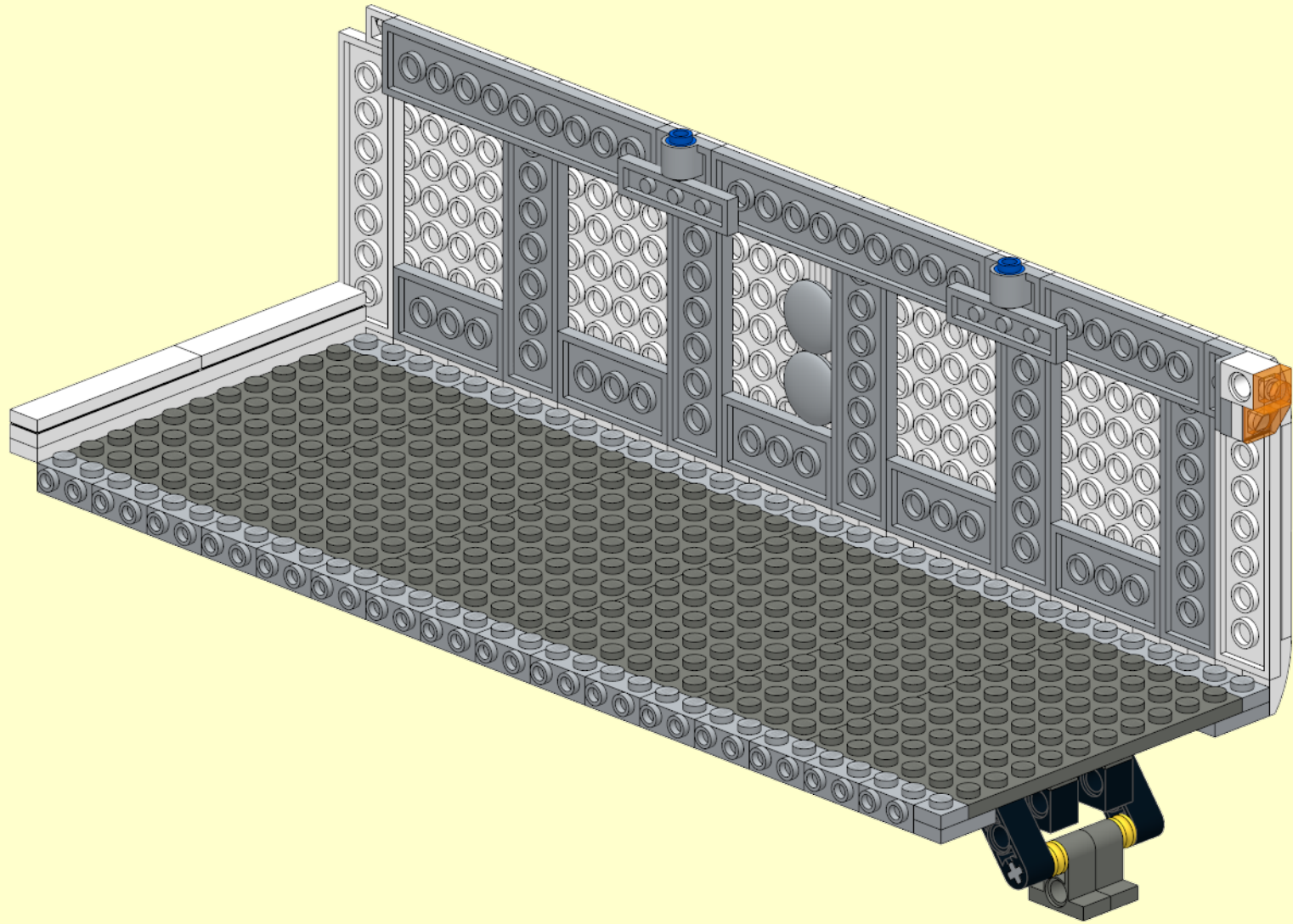
7

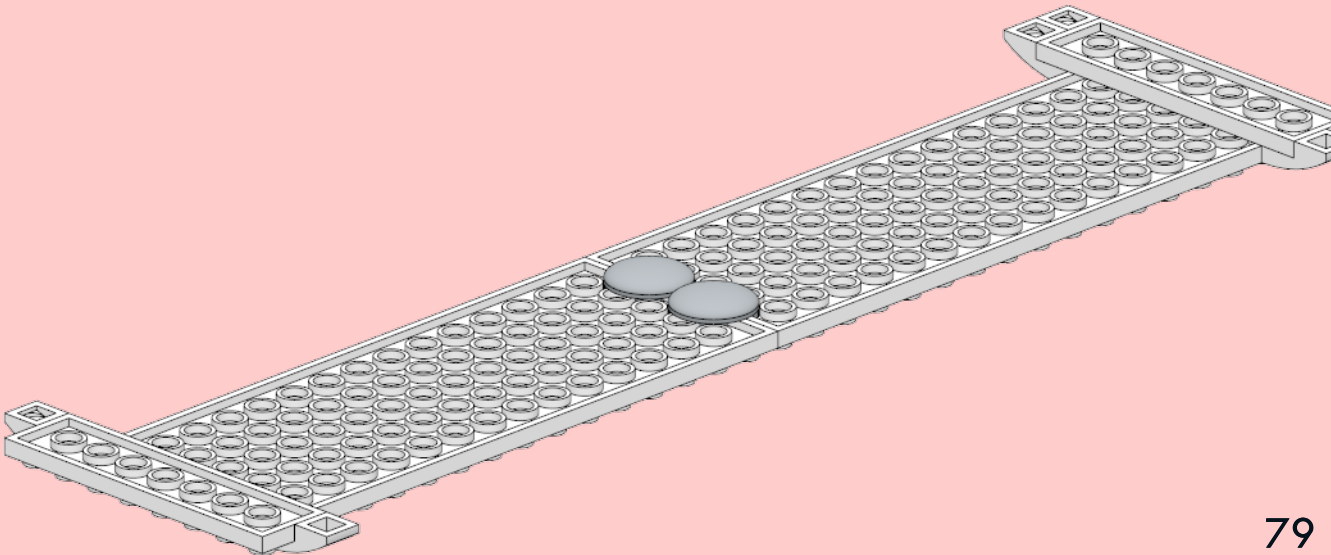
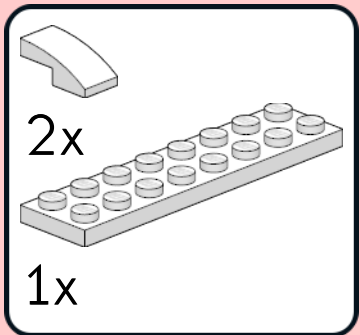
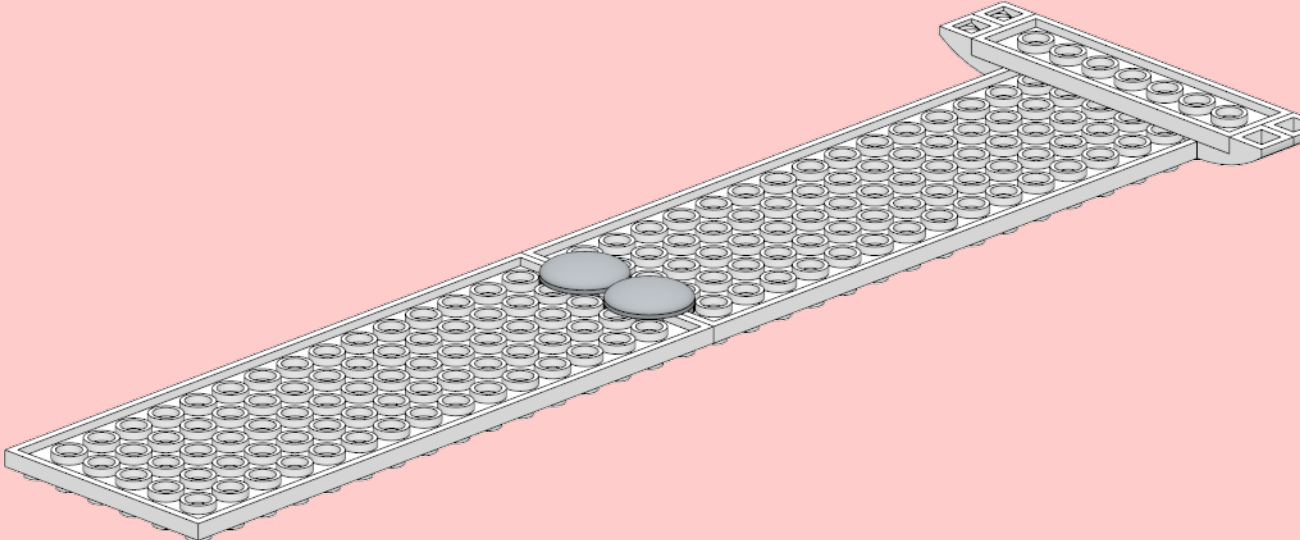
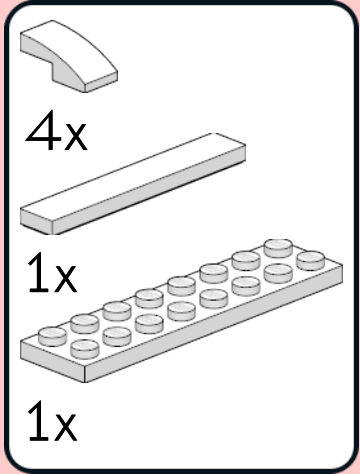
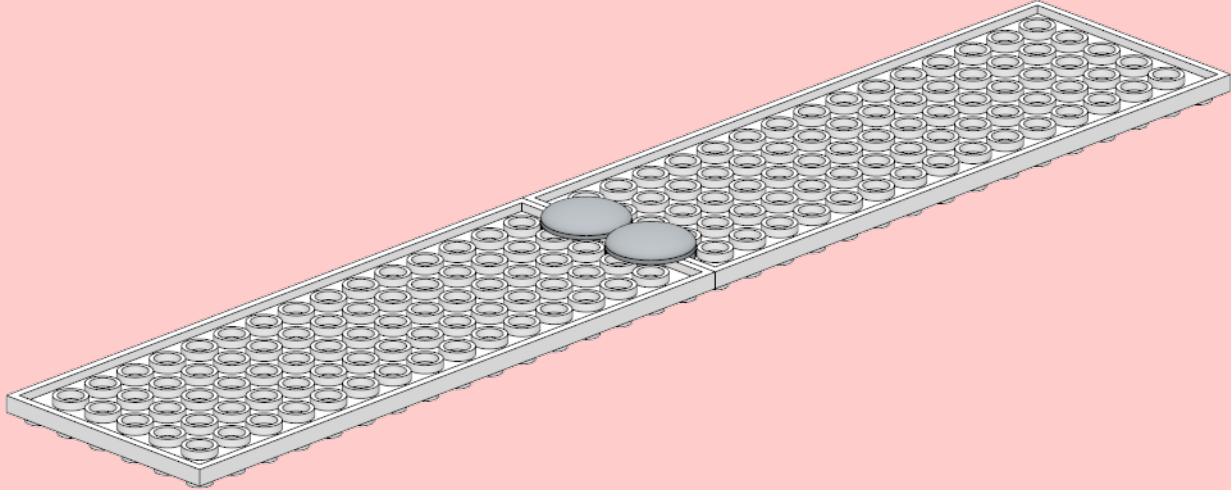
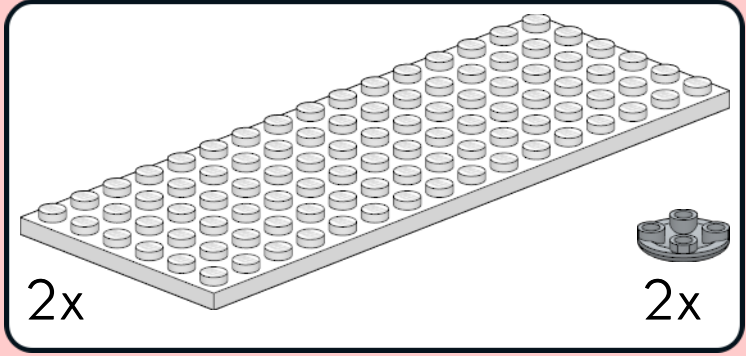


8

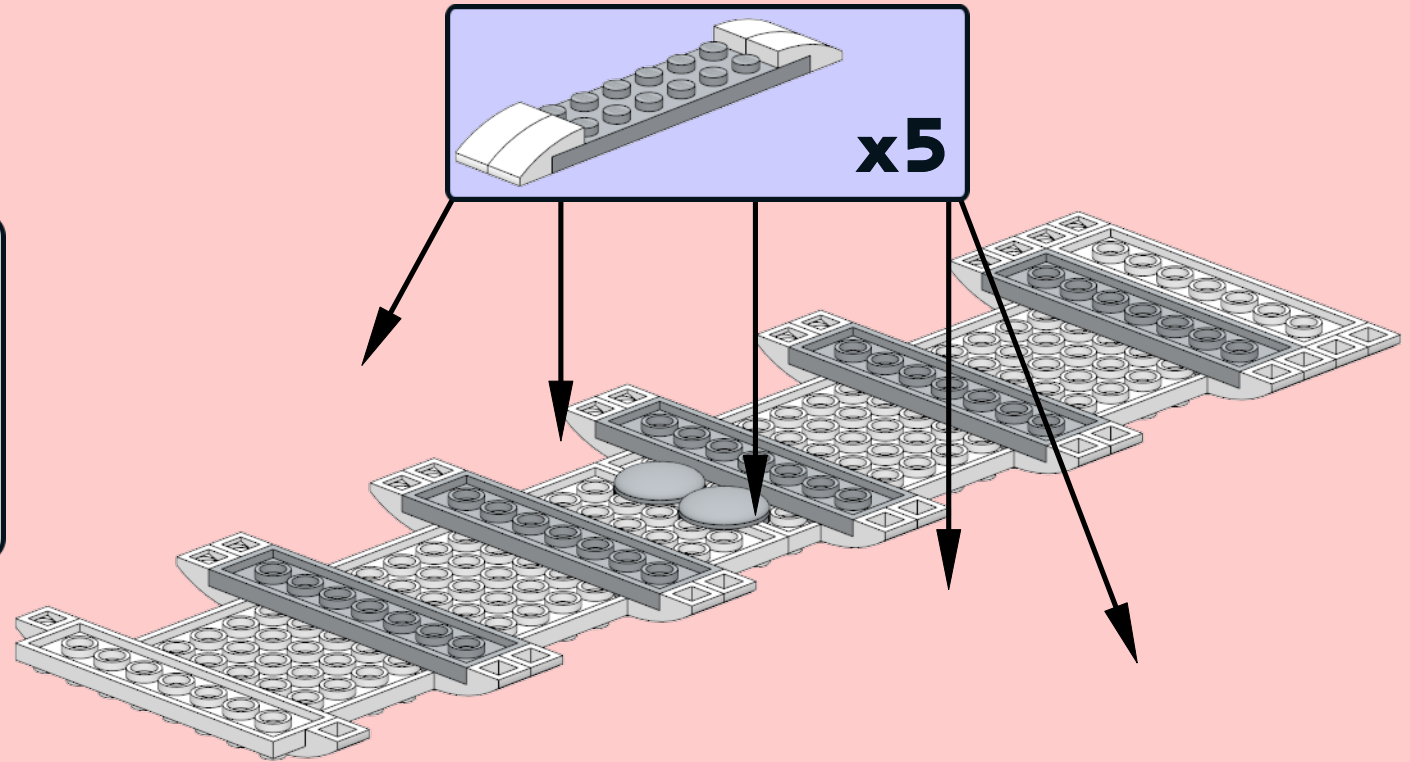
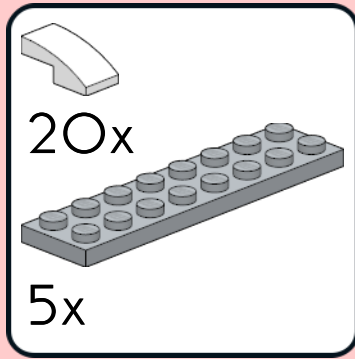


3

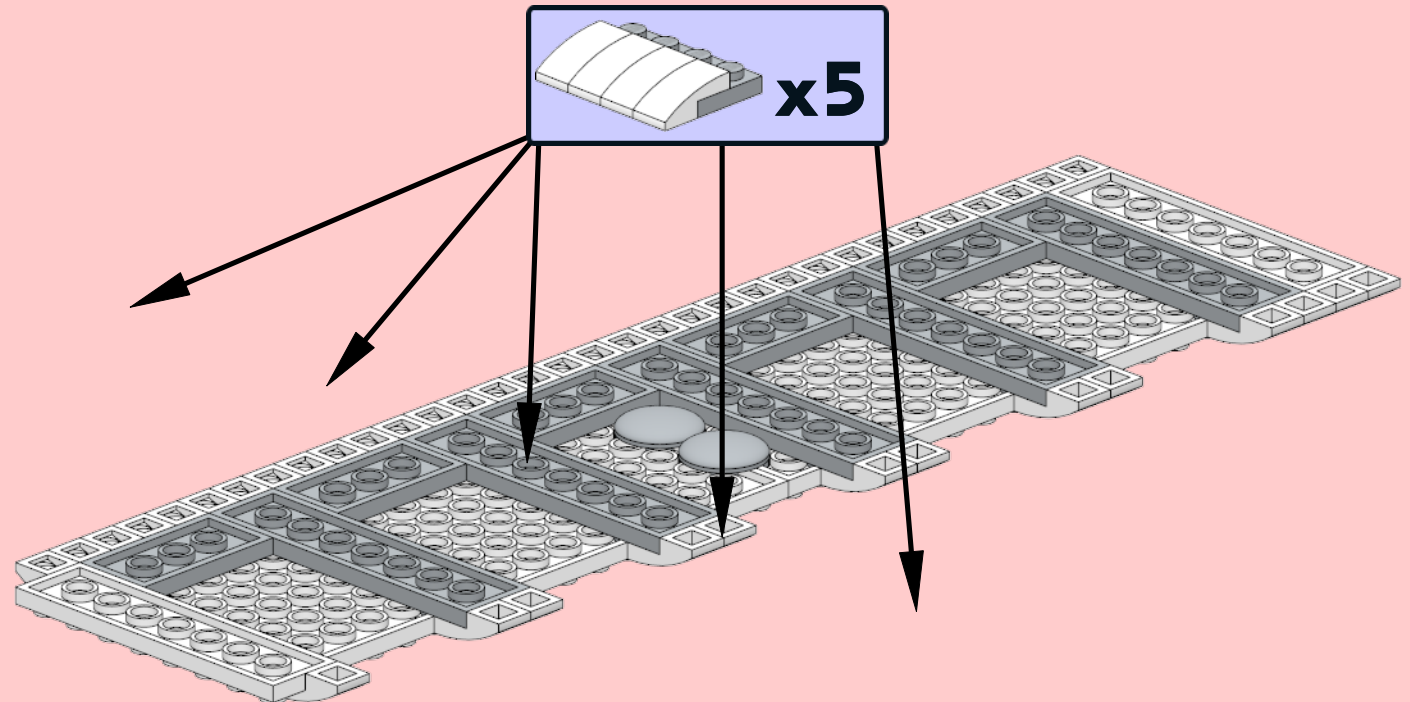
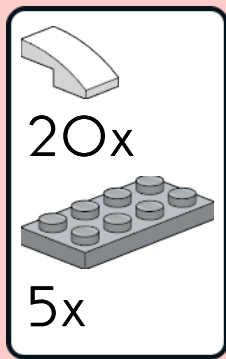




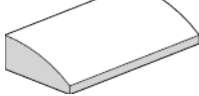
4



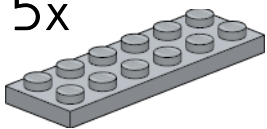
5



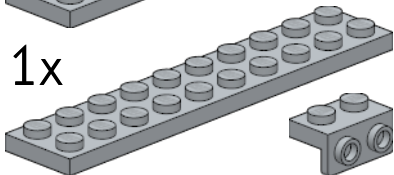
6



5x

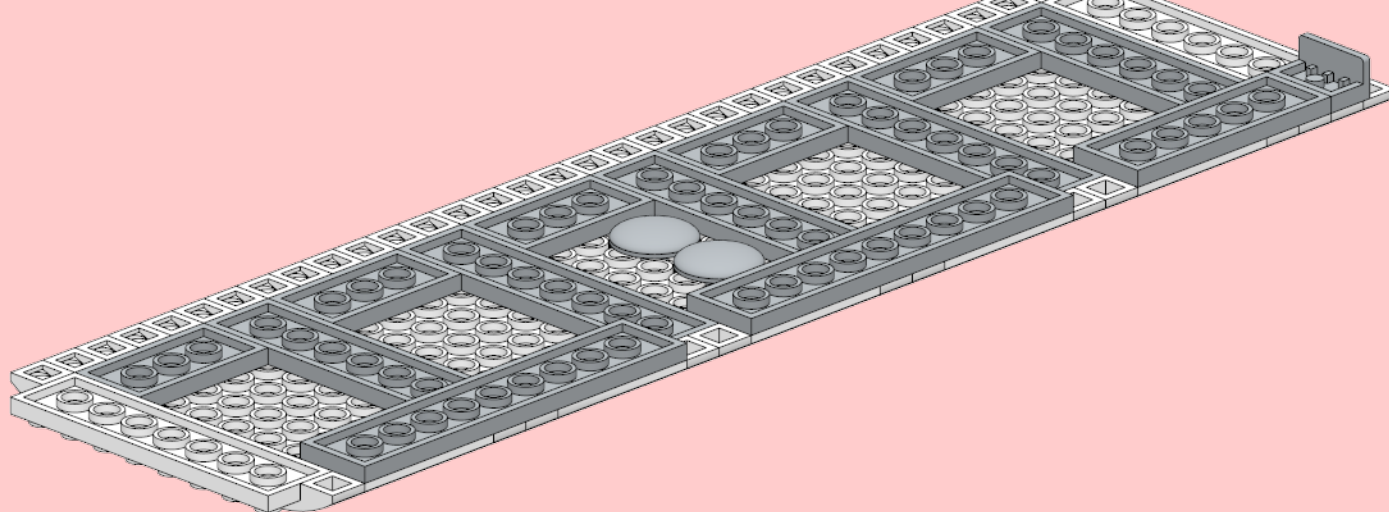


1x



2x

1x



7



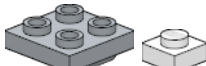
1x



1x

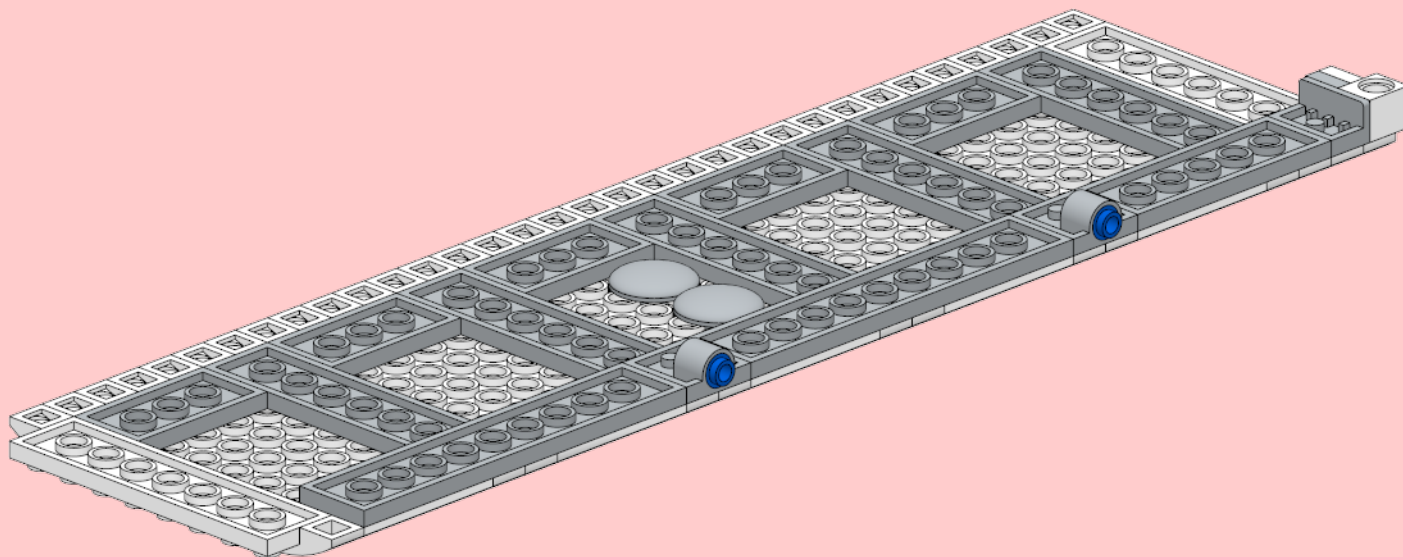


2x



2x

1x



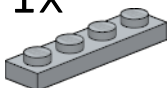
8



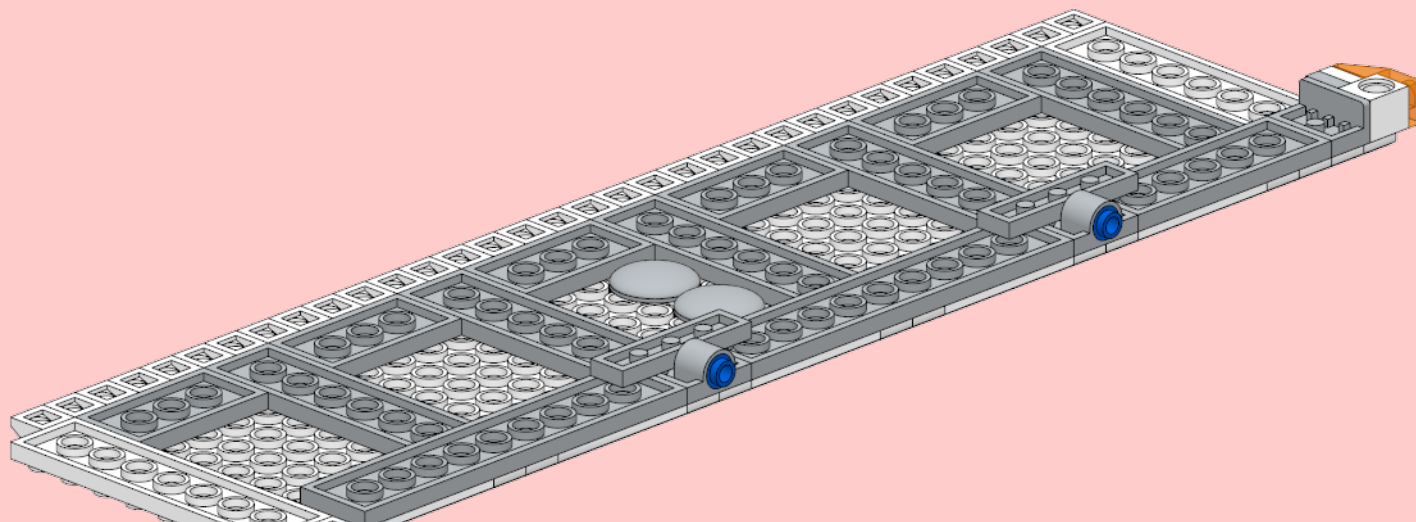
1x



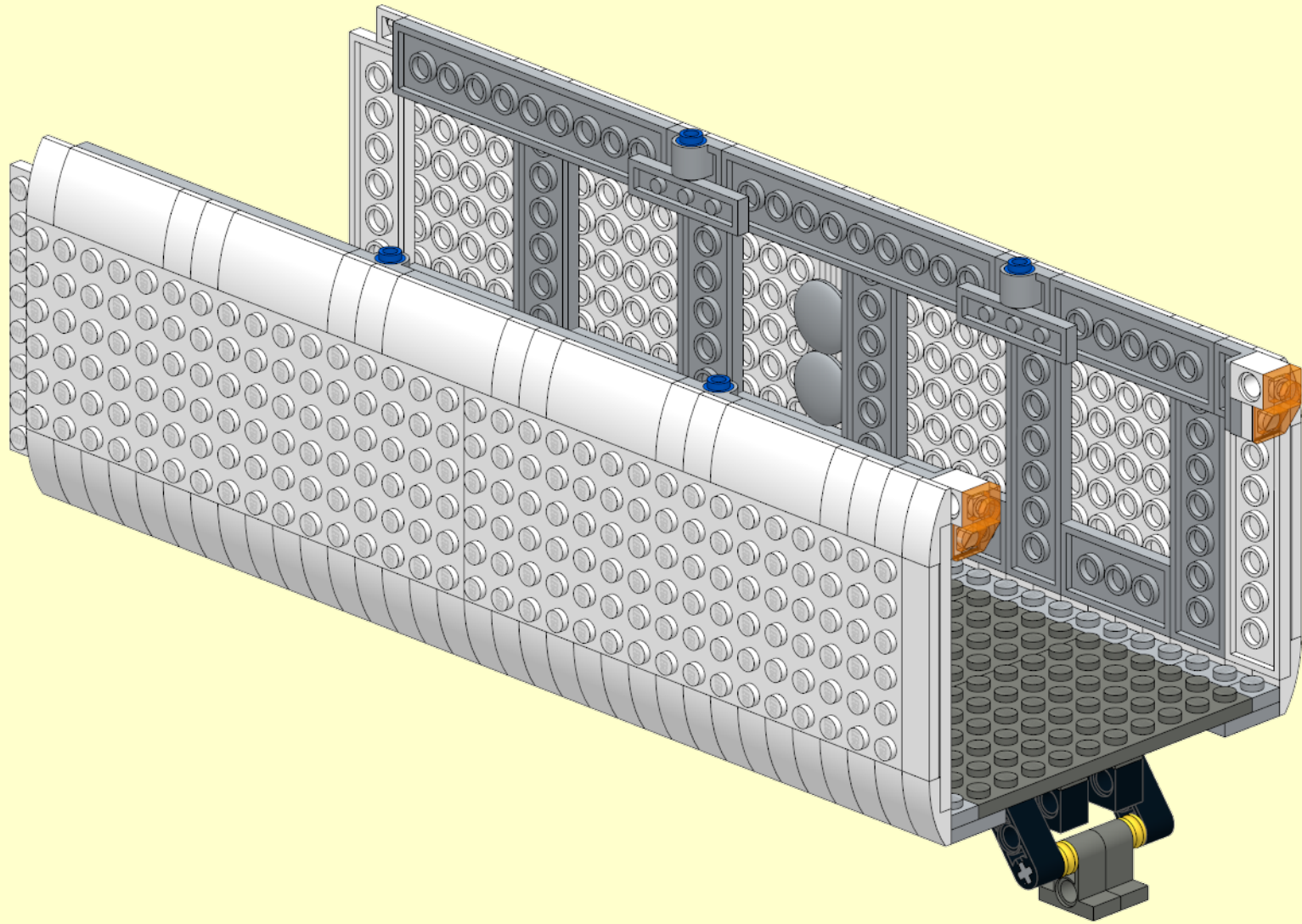
1x



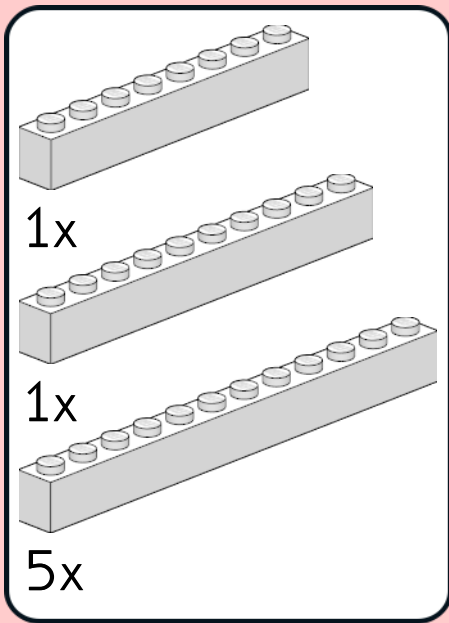
2x



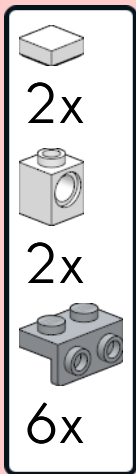
4



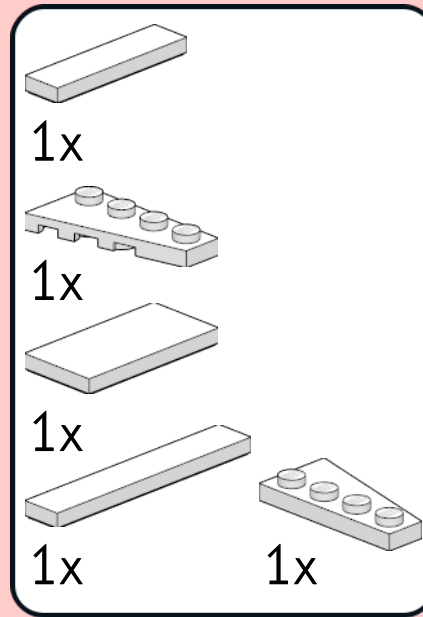
1



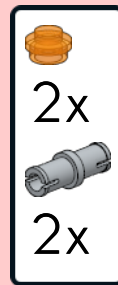
2



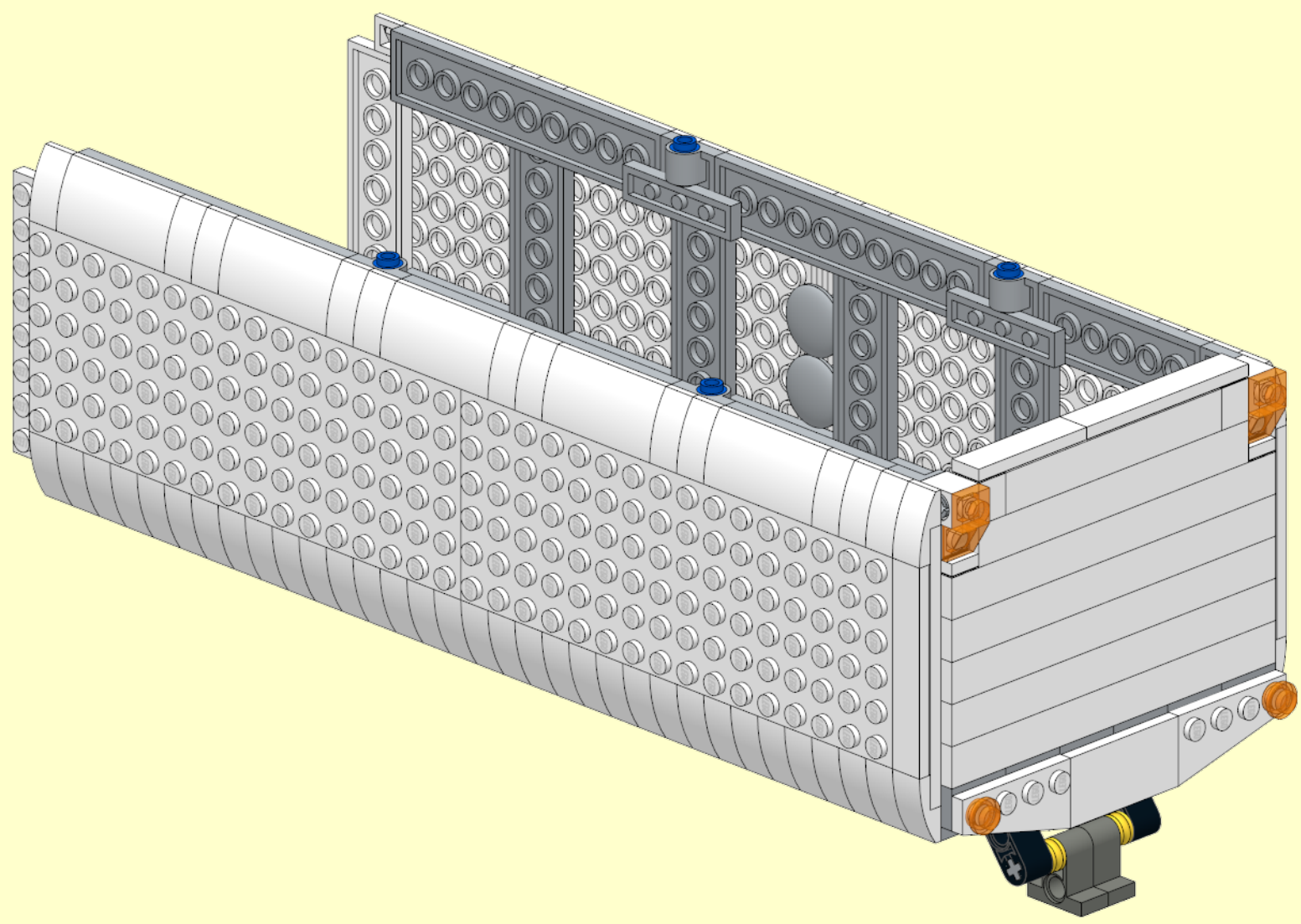
3



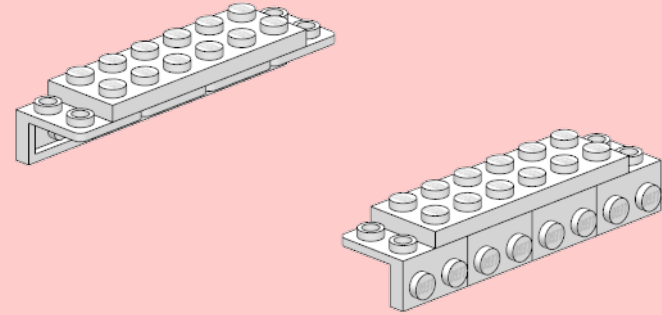
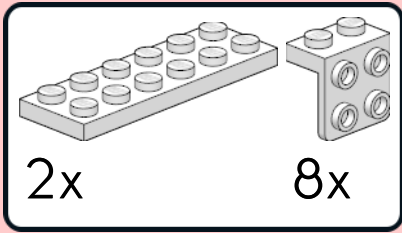
4



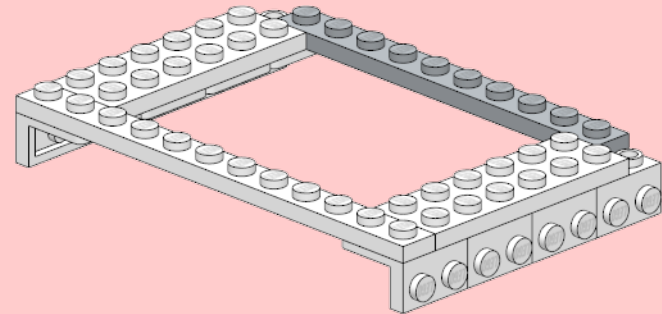
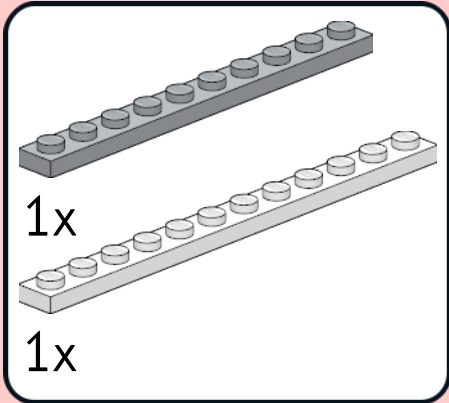
5



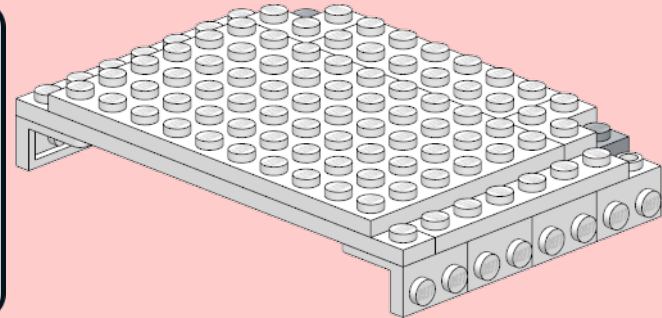
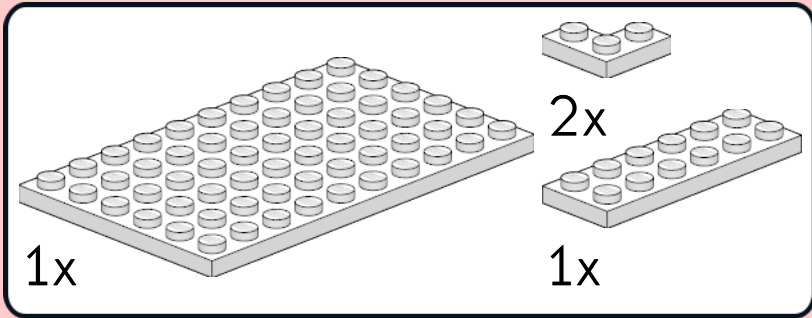
1



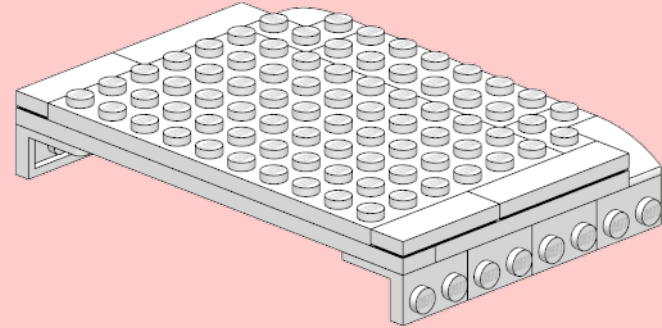
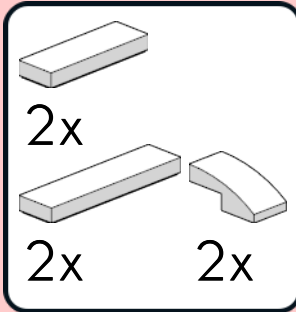
2



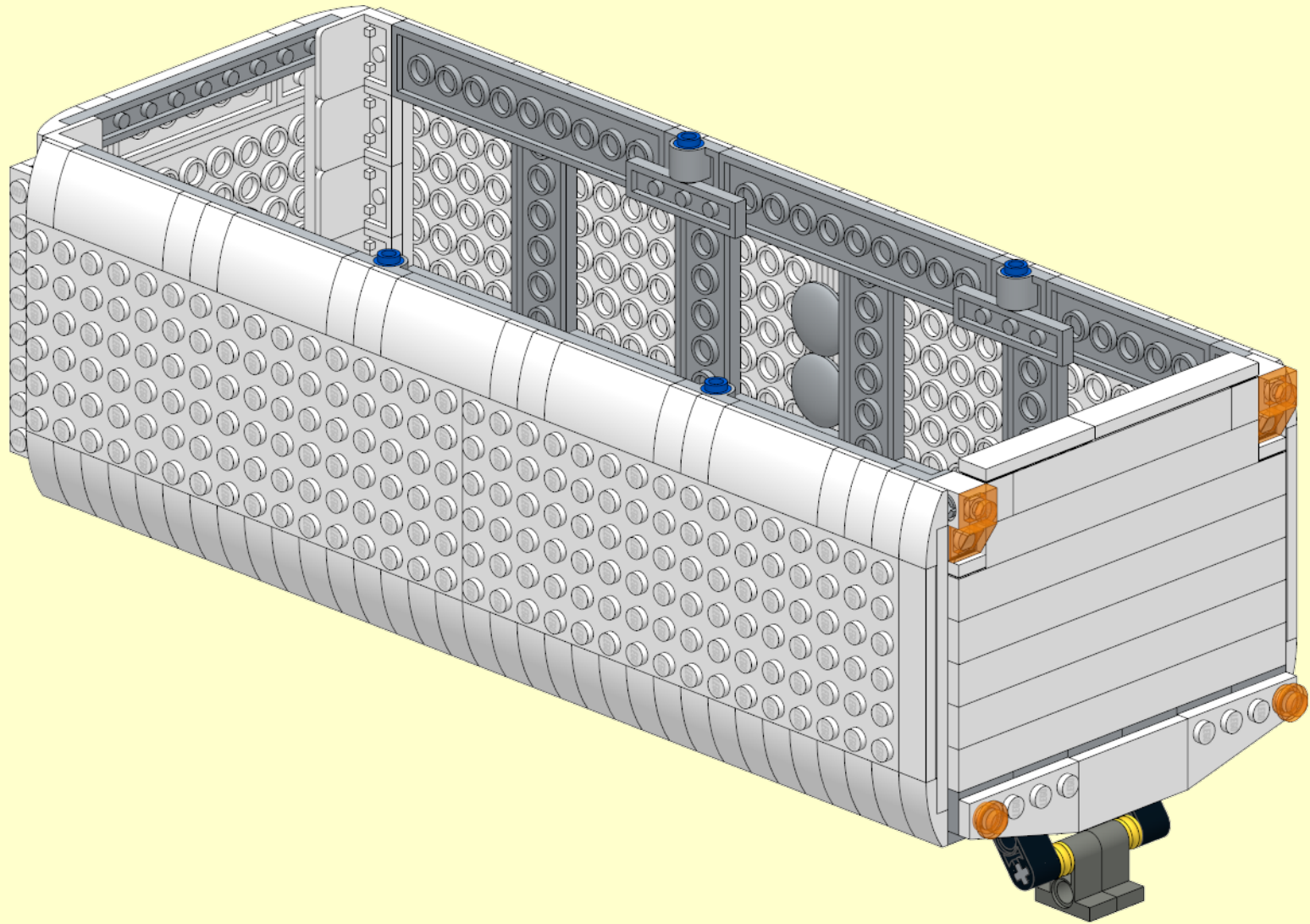
3



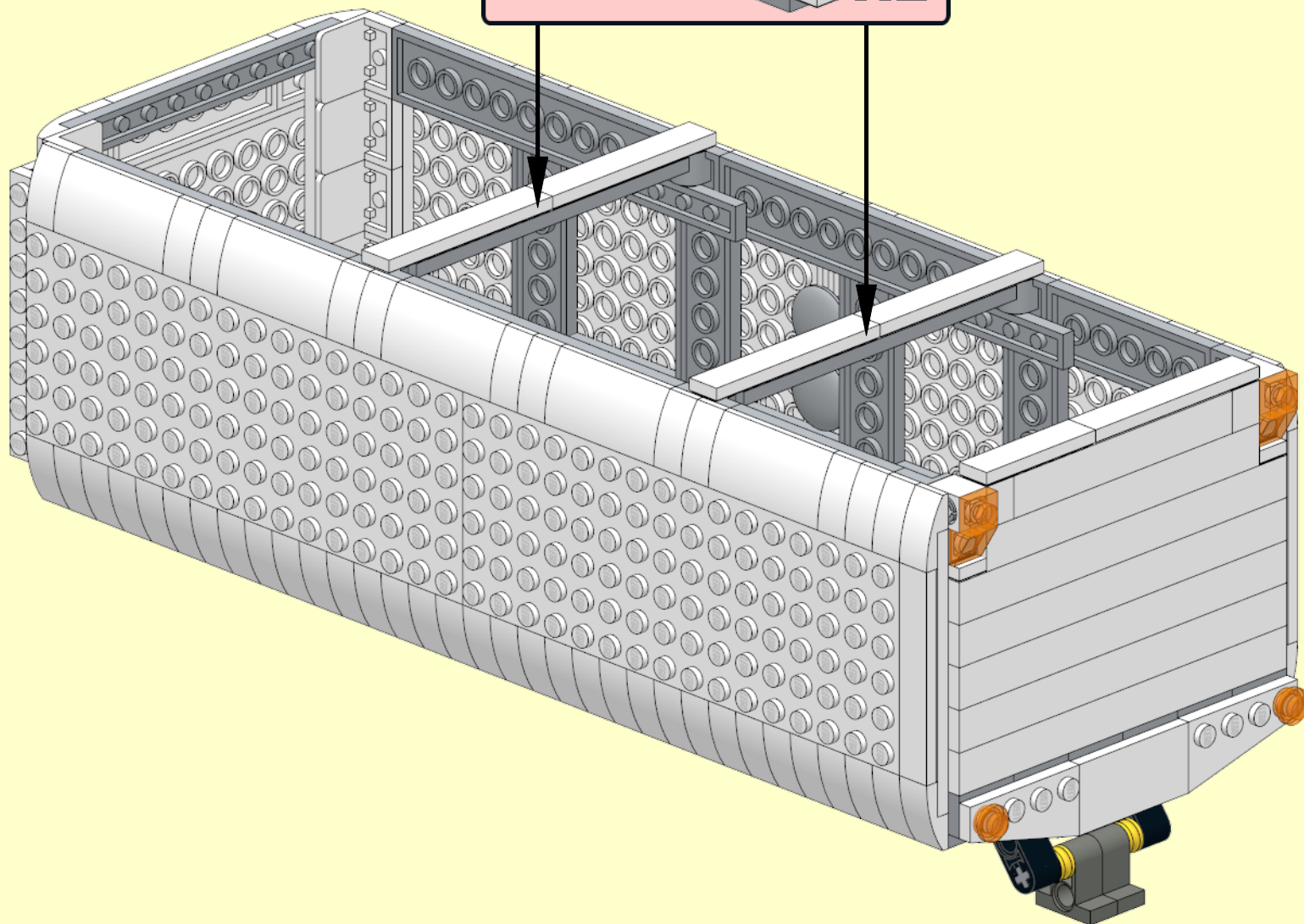
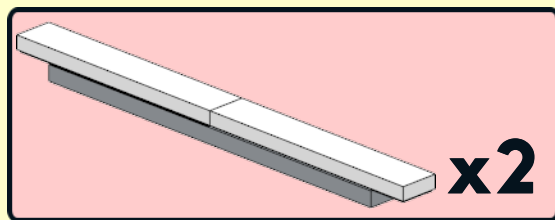
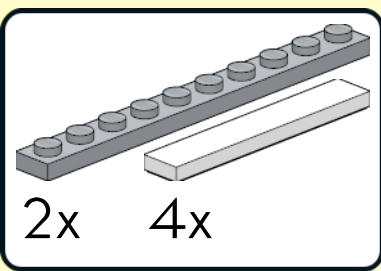
4

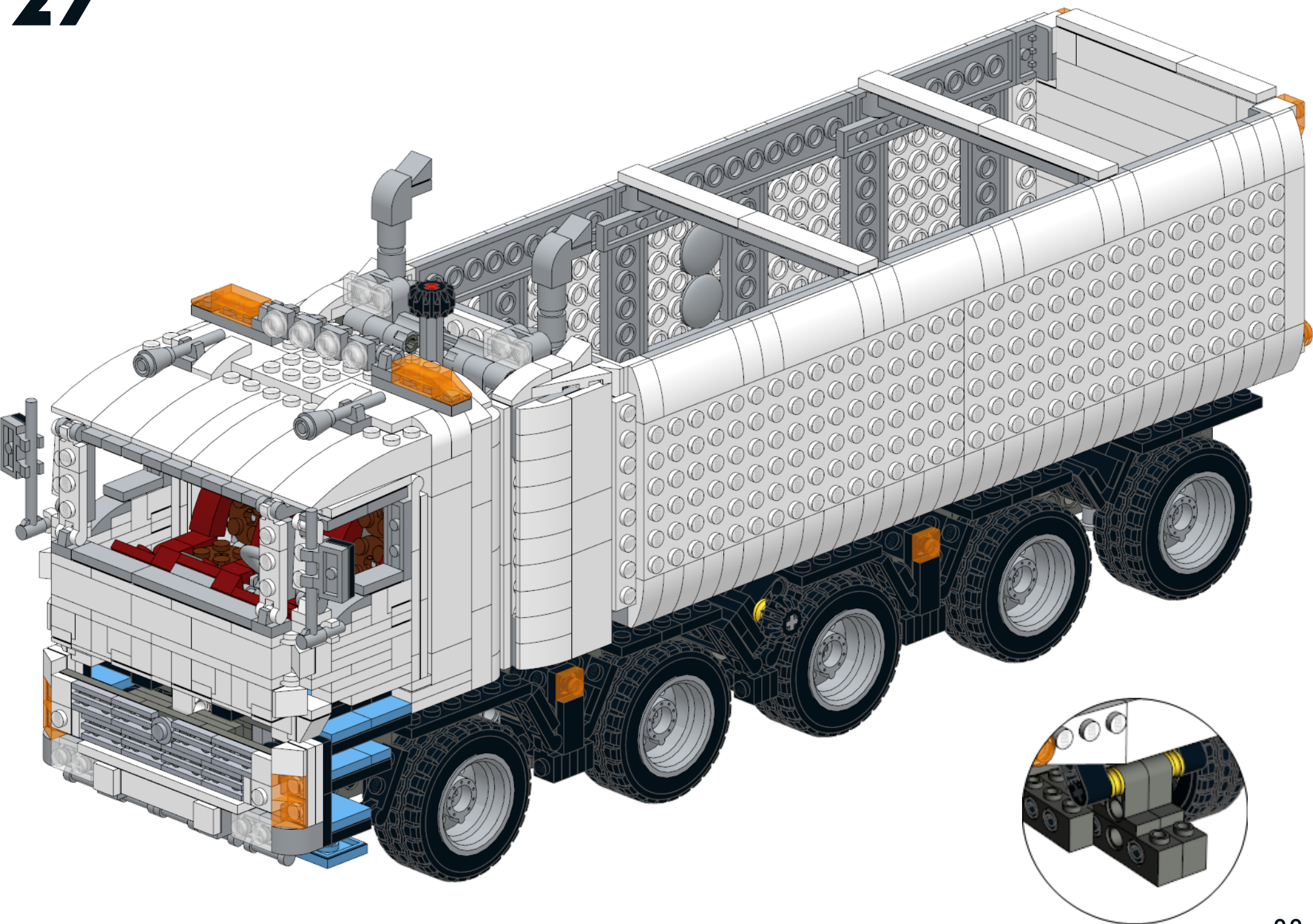


6

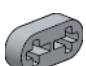
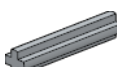


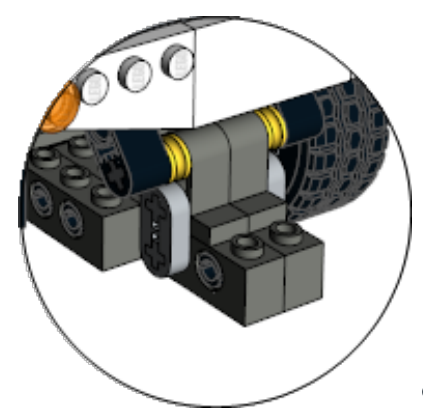
7



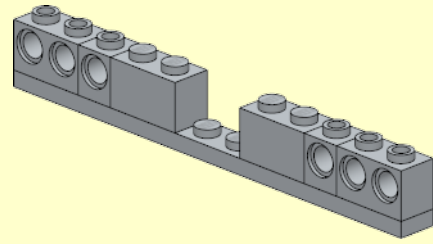
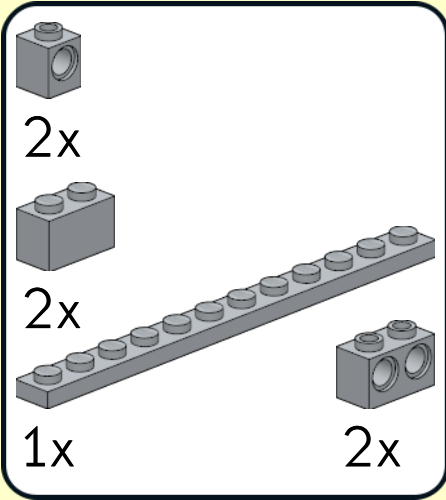


28

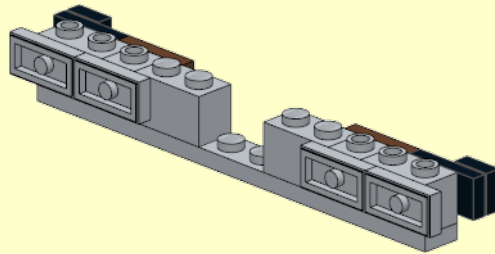
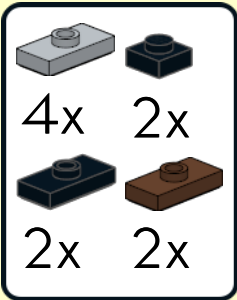
-  2x 3
-  2x



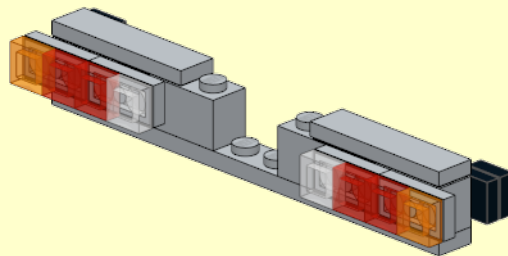
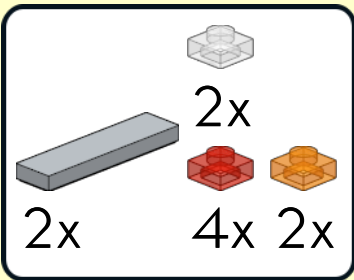
1



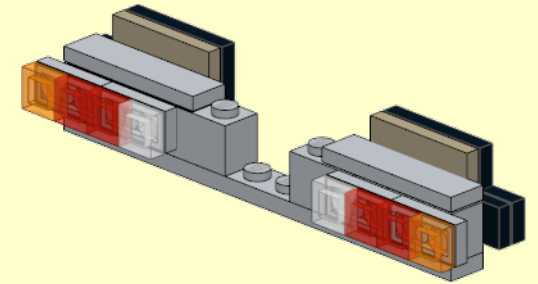
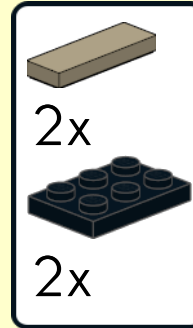
2



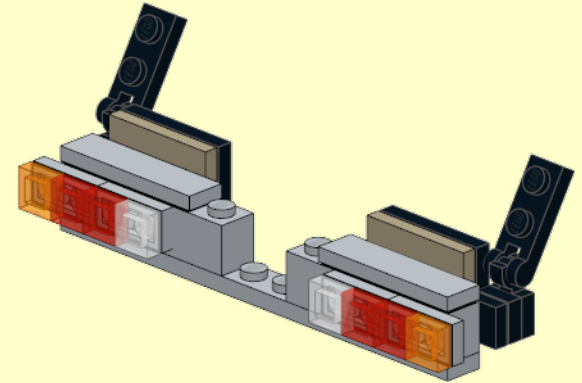
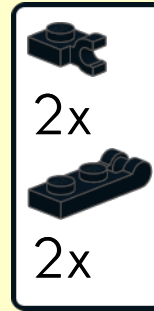
3



4



5



6

